



US00D440012S

(12) **United States Design Patent**  
**Lee**

(10) **Patent No.:** **US D440,012 S**

(45) **Date of Patent:** **\*\* Apr. 3, 2001**

- (54) **RAZOR CARTRIDGE OVERCAP**
- (75) Inventor: **Alejandro Lee**, Cambridge, MA (US)
- (73) Assignee: **The Gillette Company**, Boston, MA (US)
- (\*\*) Term: **14 Years**
- (21) Appl. No.: **29/122,633**
- (22) Filed: **May 1, 2000**
- (51) **LOC (7) Cl.** ..... **28-03**
- (52) **U.S. Cl.** ..... **D28/47**
- (58) **Field of Search** ..... D28/44, 45, 46,  
D28/47; 30/34.05, 78, 77, 84, 537, 539,  
540

4,833,779	*	5/1989	Iten	.....	30/47
4,996,772	*	3/1991	Iten	.....	30/41
5,012,578	*	5/1991	Siefer	.....	30/84

\* cited by examiner

*Primary Examiner*—Ted Shooman

(74) *Attorney, Agent, or Firm*—Donal B. Tobin

(57) **CLAIM**

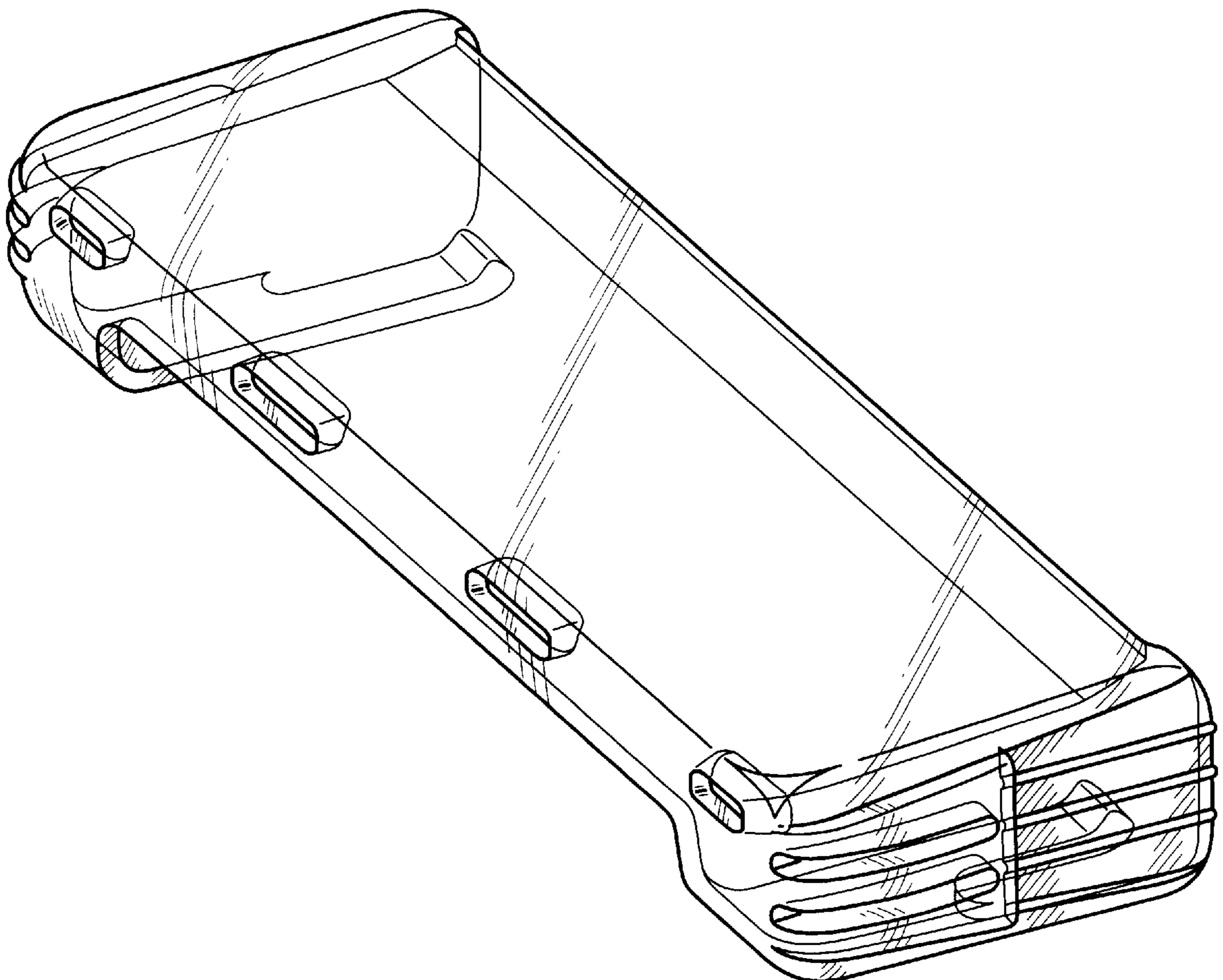
The ornamental design for a razor cartridge overcap, as shown and described.

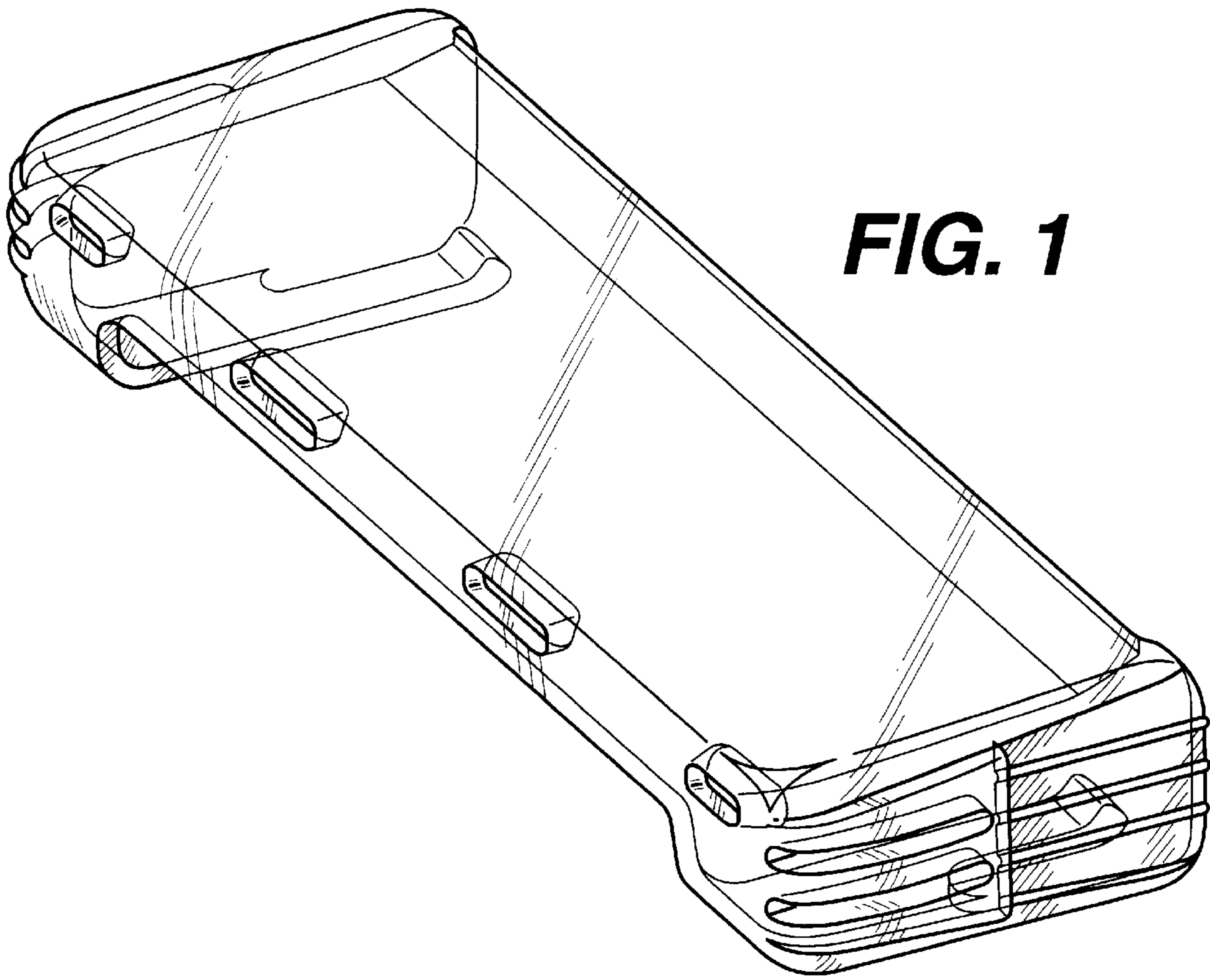
**DESCRIPTION**

FIG. 1 is a perspective view of the overcap design of the invention as seen from the top, front and right sides; FIG. 2 is a right side elevational view thereof, the left side elevation being a mirror image; FIG. 3 is a top plan view thereof; FIG. 4 is a front elevational view thereof; FIG. 5 is a rear elevational view thereof; FIG. 6 is a bottom plan view thereof; and, FIG. 7 is a perspective view wherein the broken line disclosure is for environmental purposes only and does not constitute a part of the claimed design.

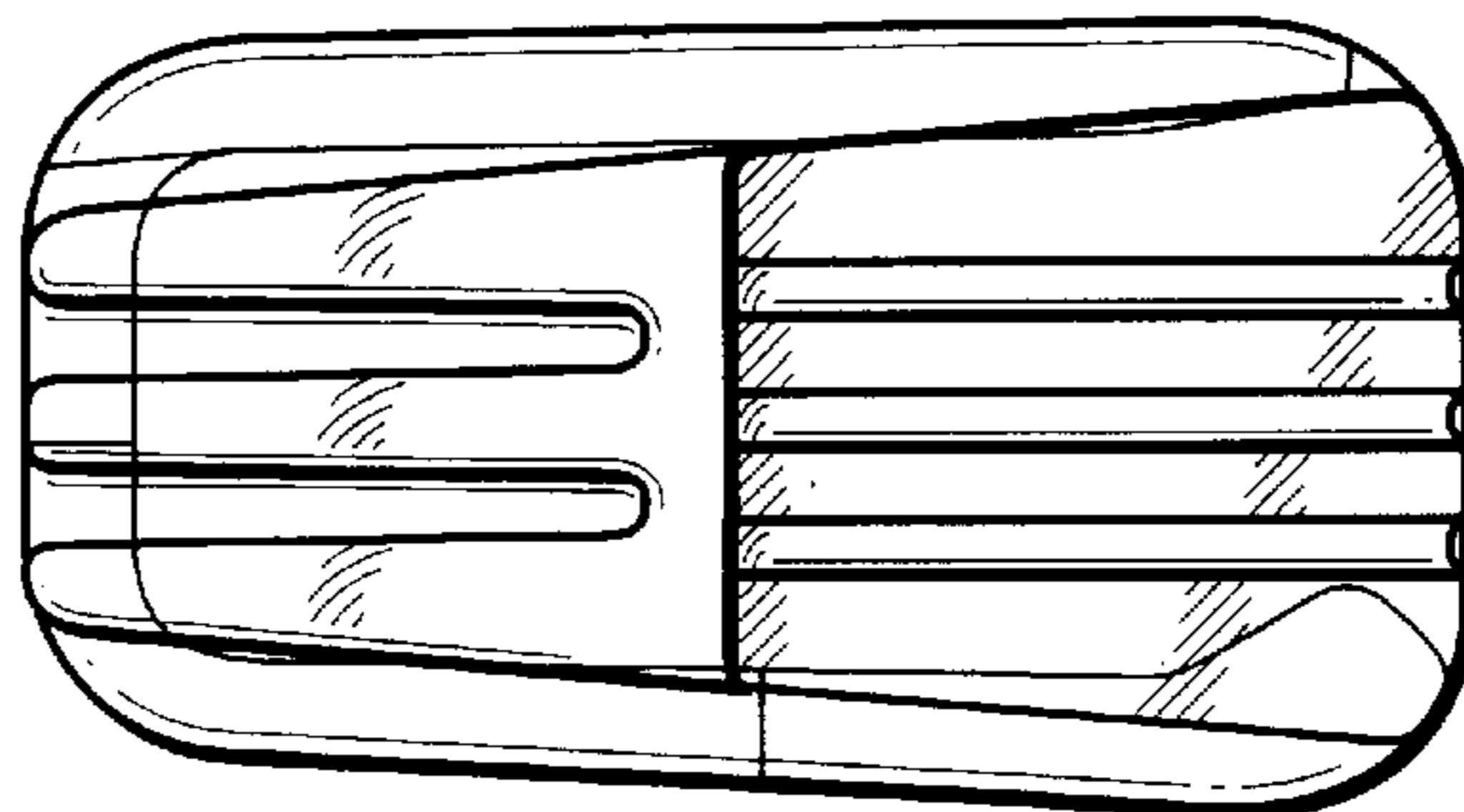
- (56) **References Cited**
- U.S. PATENT DOCUMENTS**
- D. 306,216    2/1990   Gray ..... D28/45
- D. 345,233    3/1994   Gray ..... D28/47
- D. 407,531    3/1999   Lee ..... D28/47
- 3,609,862    \* 10/1971   Ernstberger ..... 30/539
- 4,709,476    12/1987   Shurtleff et al. .... 30/41
- 4,777,722    10/1988   Trotta ..... 30/84

**1 Claim, 4 Drawing Sheets**

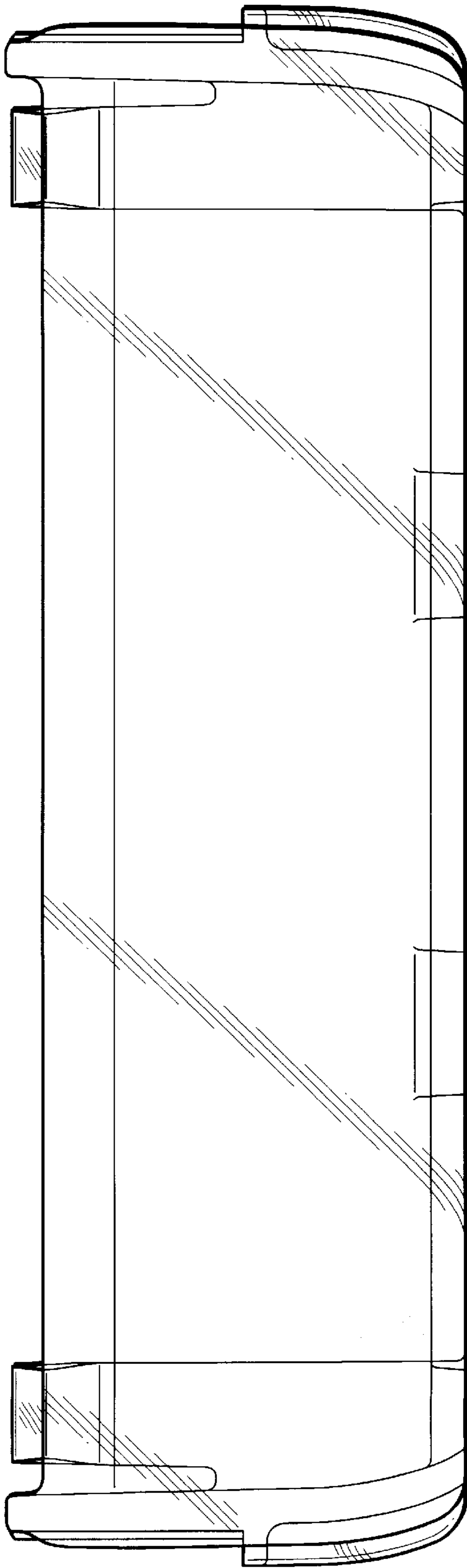




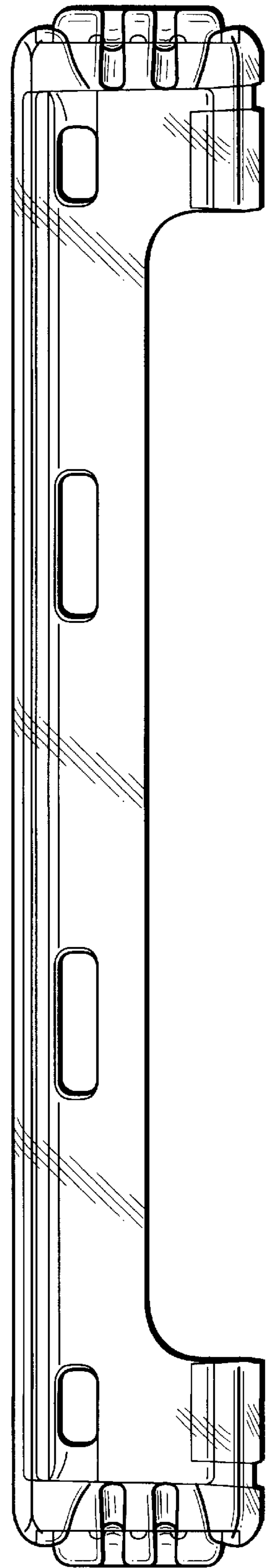
**FIG. 2**



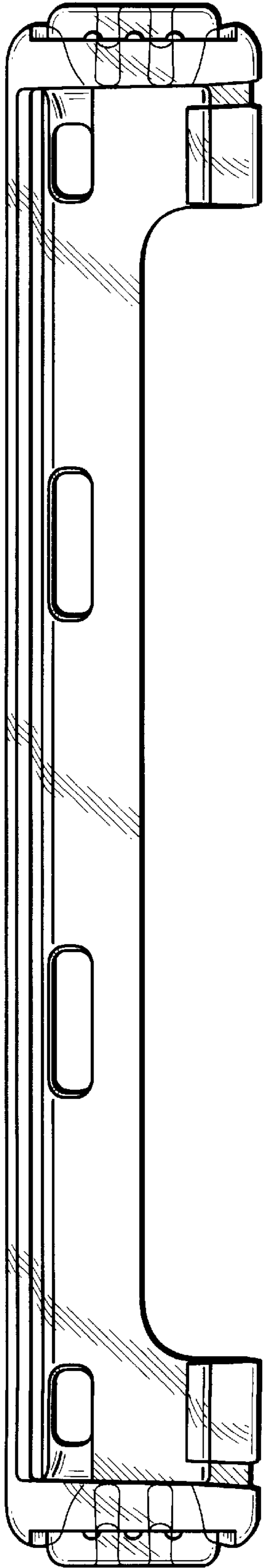
**FIG. 3**



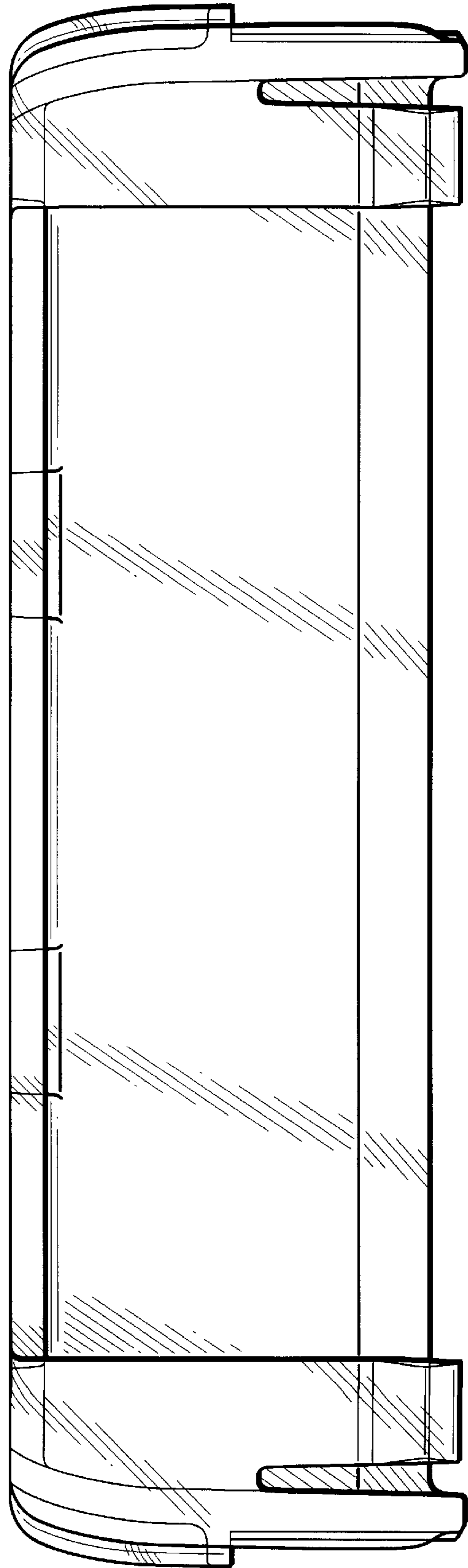
**FIG. 4**



**FIG. 5**



**FIG. 6**



**FIG. 7**

