



US00D440005S

(12) **United States Design Patent**
Blanton

(10) **Patent No.:** **US D440,005 S**

(45) **Date of Patent:** **** Apr. 3, 2001**

(54) **CLIP FOR DECORATIVE LIGHTS**

5,288,047 * 2/1994 Pan 248/229.1

(76) Inventor: **Fred T. Blanton**, P.O. Box 8216, The Woodlands, TX (US) 77387-8216

* cited by examiner

(**) Term: **14 Years**

Primary Examiner—Holly Baynham

(74) *Attorney, Agent, or Firm*—Kenneth A. Roddy

(21) Appl. No.: **29/072,297**

(57) **CLAIM**

(22) Filed: **Jun. 12, 1997**

The ornamental design for a clip for decorative lights, as shown and described.

(51) **LOC (7) Cl.** **26-99**

DESCRIPTION

(52) **U.S. Cl.** **D26/138; D8/394; D8/396; D8/371; 24/311; 24/3.12; 24/421; 24/16 R**

FIG. 1 is a perspective view of a first embodiment of a clip for decorative lights showing my new design from the top, one end, and one side;

(58) **Field of Search** **D8/394-396, 371; 24/3.11, 3.12, 421, 16 R; D26/138**

FIG. 2 is a perspective view thereof shown from the bottom, one end, and one side, the opposite end and side being a mirror image of that shown in FIGS. 1 and 2.

(56) **References Cited**

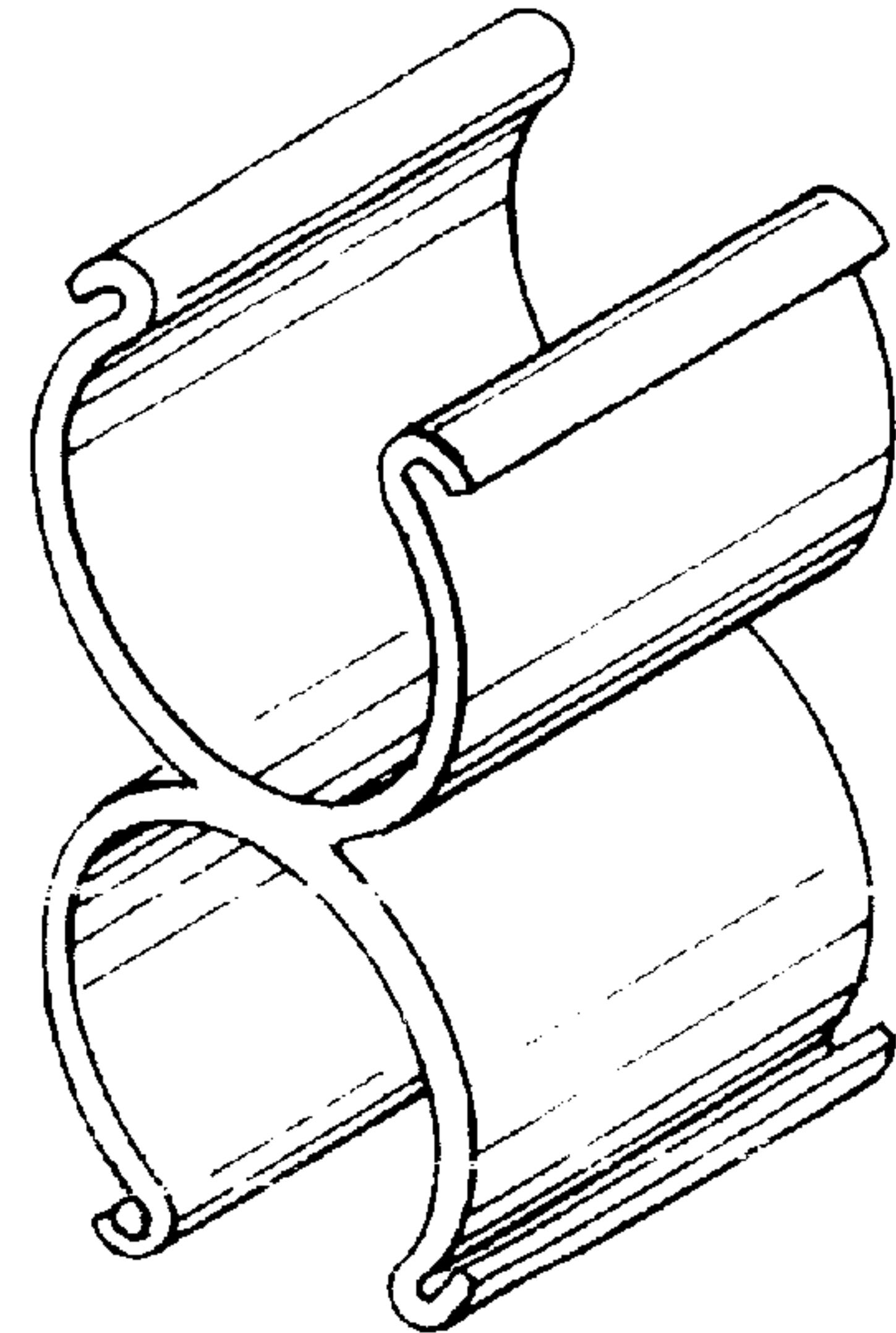
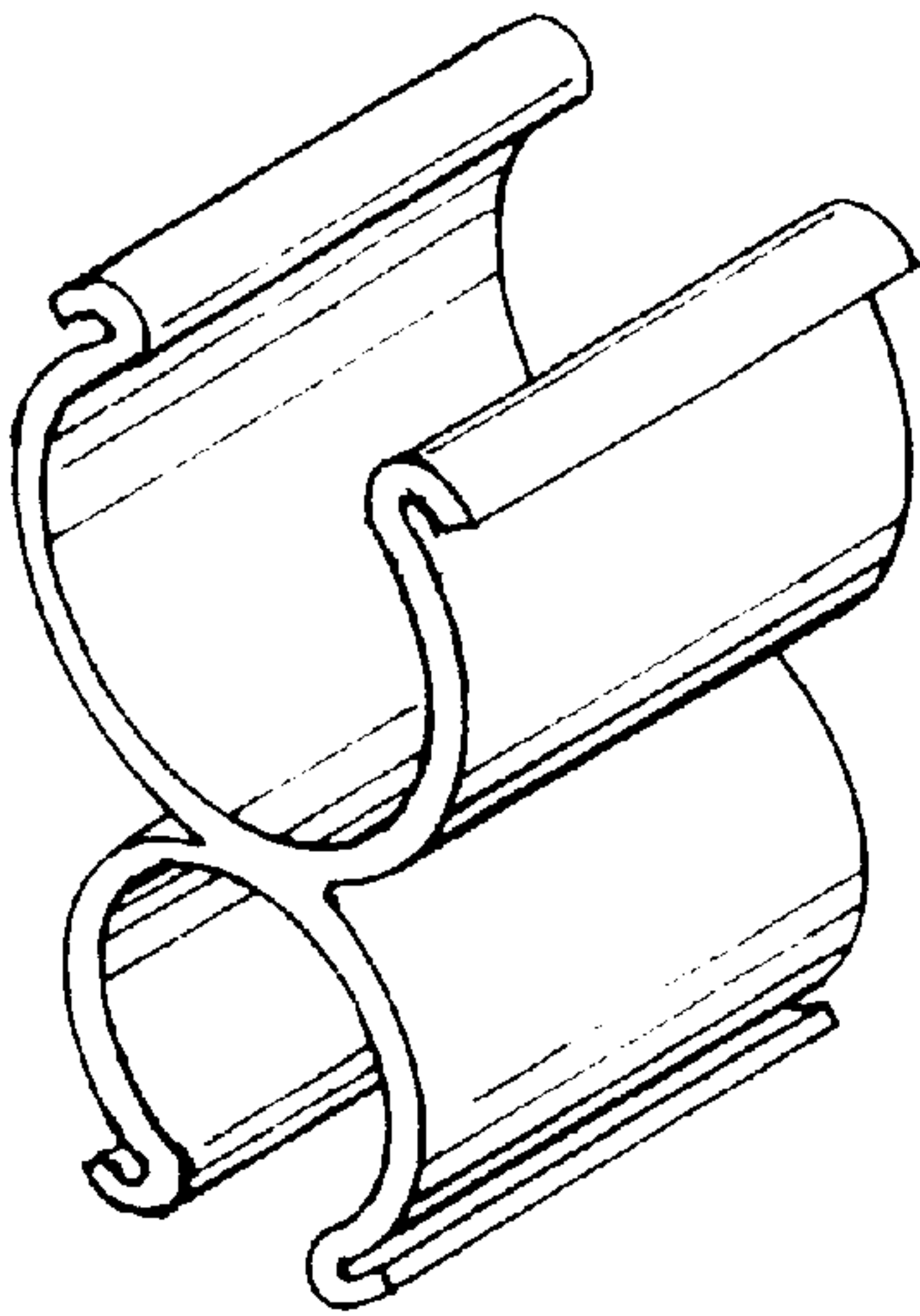
U.S. PATENT DOCUMENTS

D. 253,457	*	11/1979	Sandel	D8/395
D. 262,689	*	1/1982	Beck	D8/396
2,723,431	*	11/1955	DiRenzo	24/301
3,033,412	*	5/1962	Fox	220/23.4
3,382,545	*	5/1968	Spenner	24/16 R
4,002,349	*	1/1977	Dopp	280/814
4,837,899	*	6/1989	Young	24/16 R

FIG. 3 is a perspective view of a second embodiment of a clip for decorative lights showing my new design from the top, one end, and one side; and,

FIG. 4 is a perspective view thereof shown from the bottom, one end, and one side, the opposite end and side being a mirror image of that shown in FIGS. 3 and 4.

1 Claim, 1 Drawing Sheet



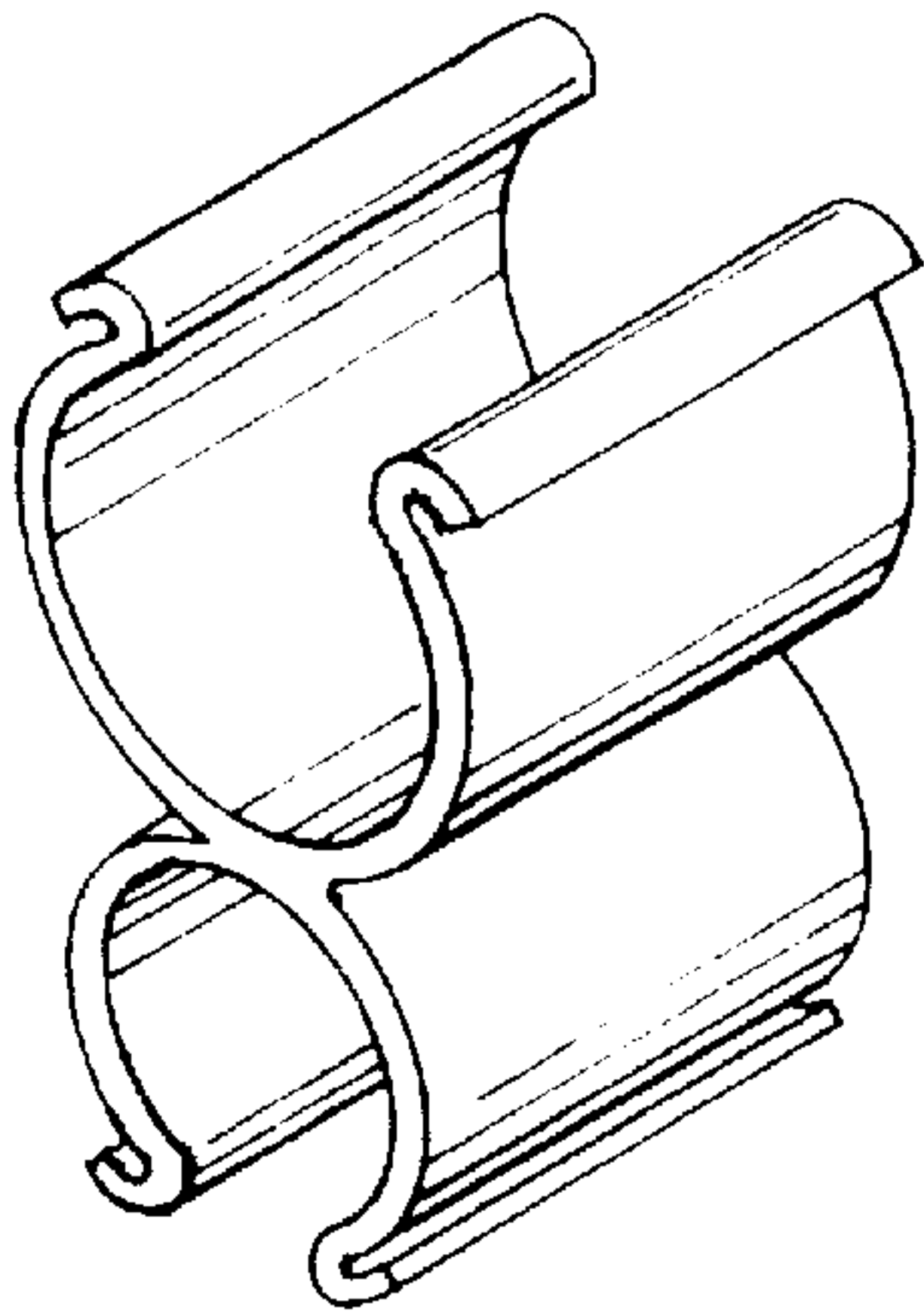


fig.1

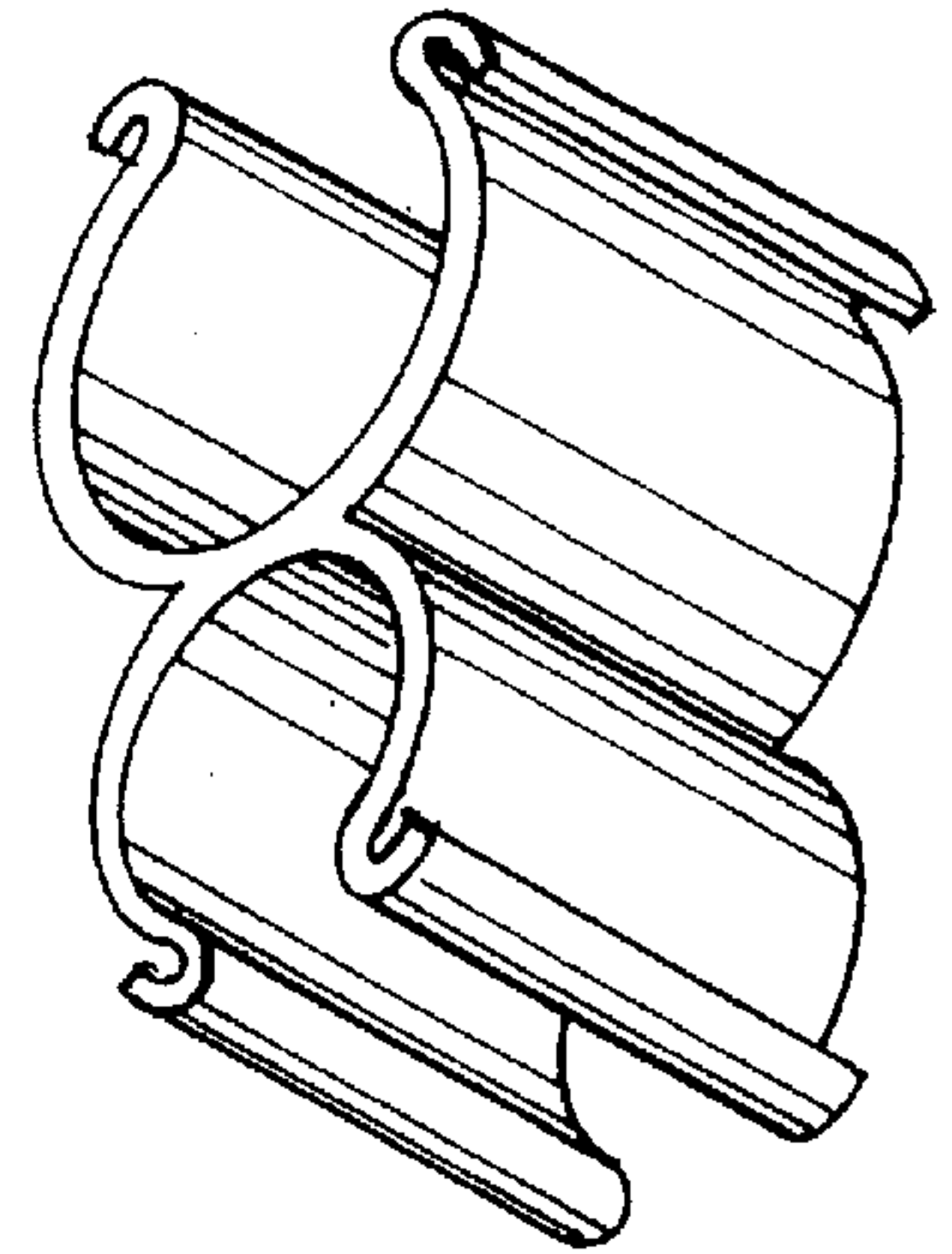


fig.2

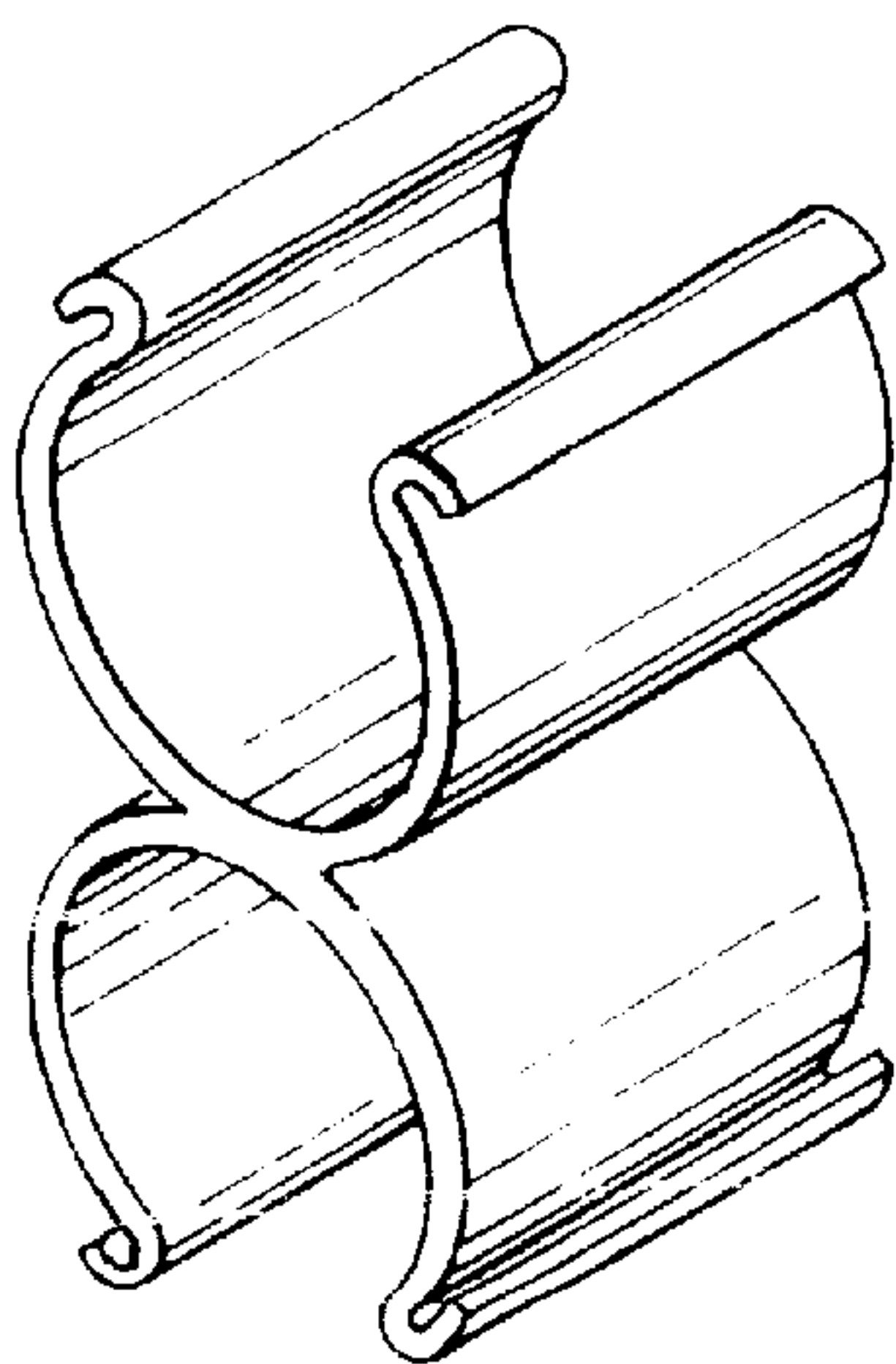


fig.3

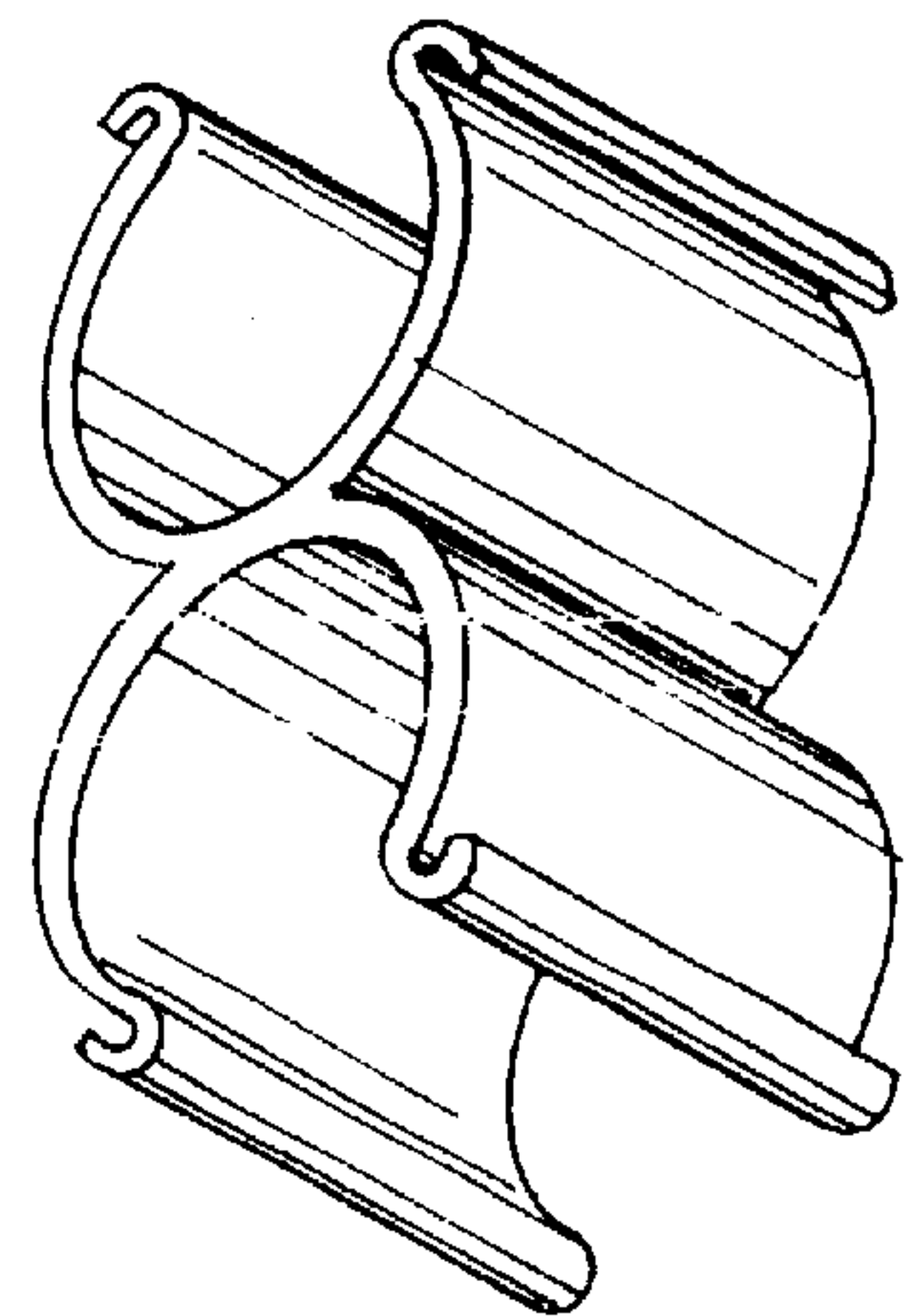


fig.4