



US00D440004S

(12) **United States Design Patent**
Cohen et al.

(10) **Patent No.:** **US D440,004 S**
(45) **Date of Patent:** **** Apr. 3, 2001**

(54) **REFLECTED-LIGHT TABLE LAMP**

Primary Examiner—Susan J. Lucas

(76) Inventors: **Edward A. Cohen**, 2757 Ewing Ave.
South, Minneapolis, MN (US) 55416;
David W. Johnson, 346 E. 10th St., #9,
New York, NY (US) 10009

(57) **CLAIM**

The ornamental design for a reflected-light table lamp, as shown and described.

(**) Term: **14 Years**

DESCRIPTION

(21) Appl. No.: **29/109,736**

FIG. 1 is a perspective view of a reflected-light table lamp embodying our design;

(22) Filed: **Aug. 20, 1999**

FIG. 2 is an end elevation view as seen from the left side of FIG. 1;

(51) **LOC (7) Cl.** **26-05**

FIG. 3 is a front elevation view thereof;

(52) **U.S. Cl.** **D26/109**

FIG. 4 is a rear elevation view thereof;

(58) **Field of Search** D26/93, 102-112;
362/410-414

FIG. 5 is a top plan view thereof; and

FIG. 6 is a bottom plan view thereof.

(56) **References Cited**

FIG. 7 is a front elevation view of a reflected-light table lamp showing a second embodiment of the design, the sole difference being the appearance and shape of the reflector.

U.S. PATENT DOCUMENTS

D. 376,221 * 12/1996 Arnold D26/102

FIG. 8 is a front elevation view of a reflected-light table lamp showing a third embodiment of the design, the sole difference being the appearance and shape of the reflector; and,

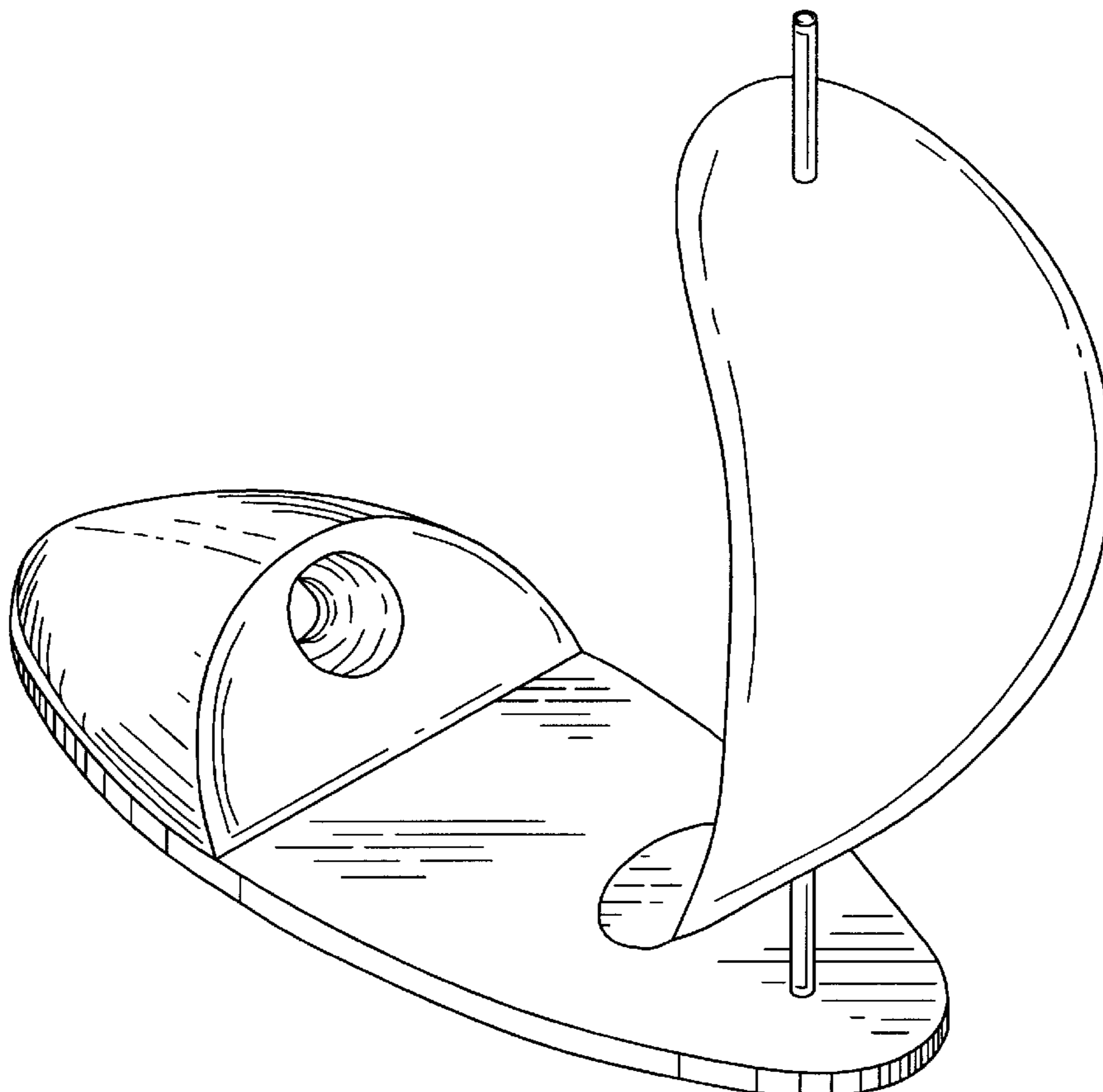
OTHER PUBLICATIONS

Design, Jul. 1984, p. 45, lamp #6.*
Domus, Mar. 1988, p. 95, floor lamp, bottom right side.*
Habitat page, Jul. 1970, table lamp.*
Interiors magazine, Apr. 1988, wall sconce #259.*

FIG. 9 is a front elevation view of a reflected-light table lamp showing a fourth embodiment of the design, the sole difference being the appearance and shape of the reflector.

* cited by examiner

1 Claim, 8 Drawing Sheets



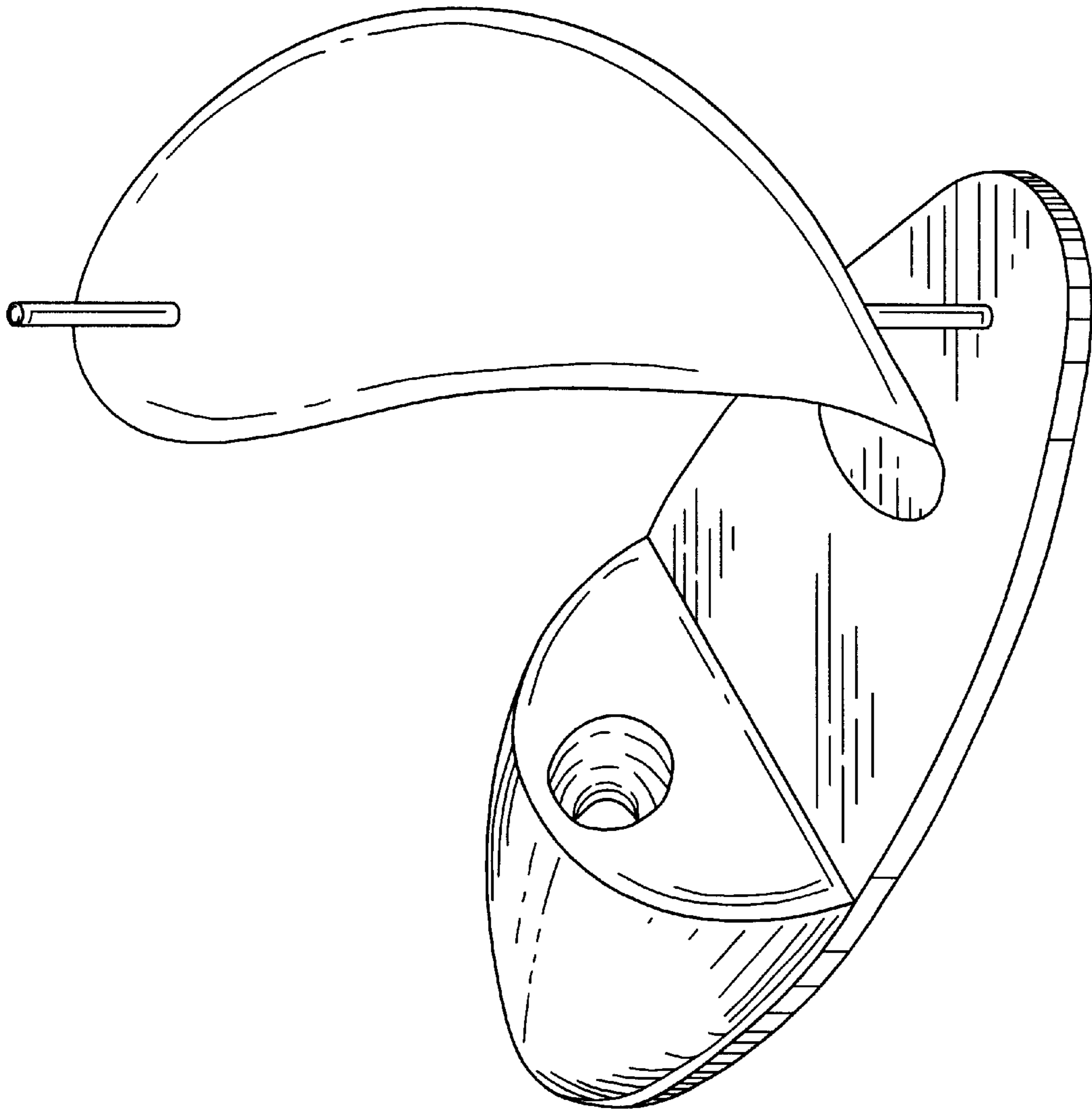
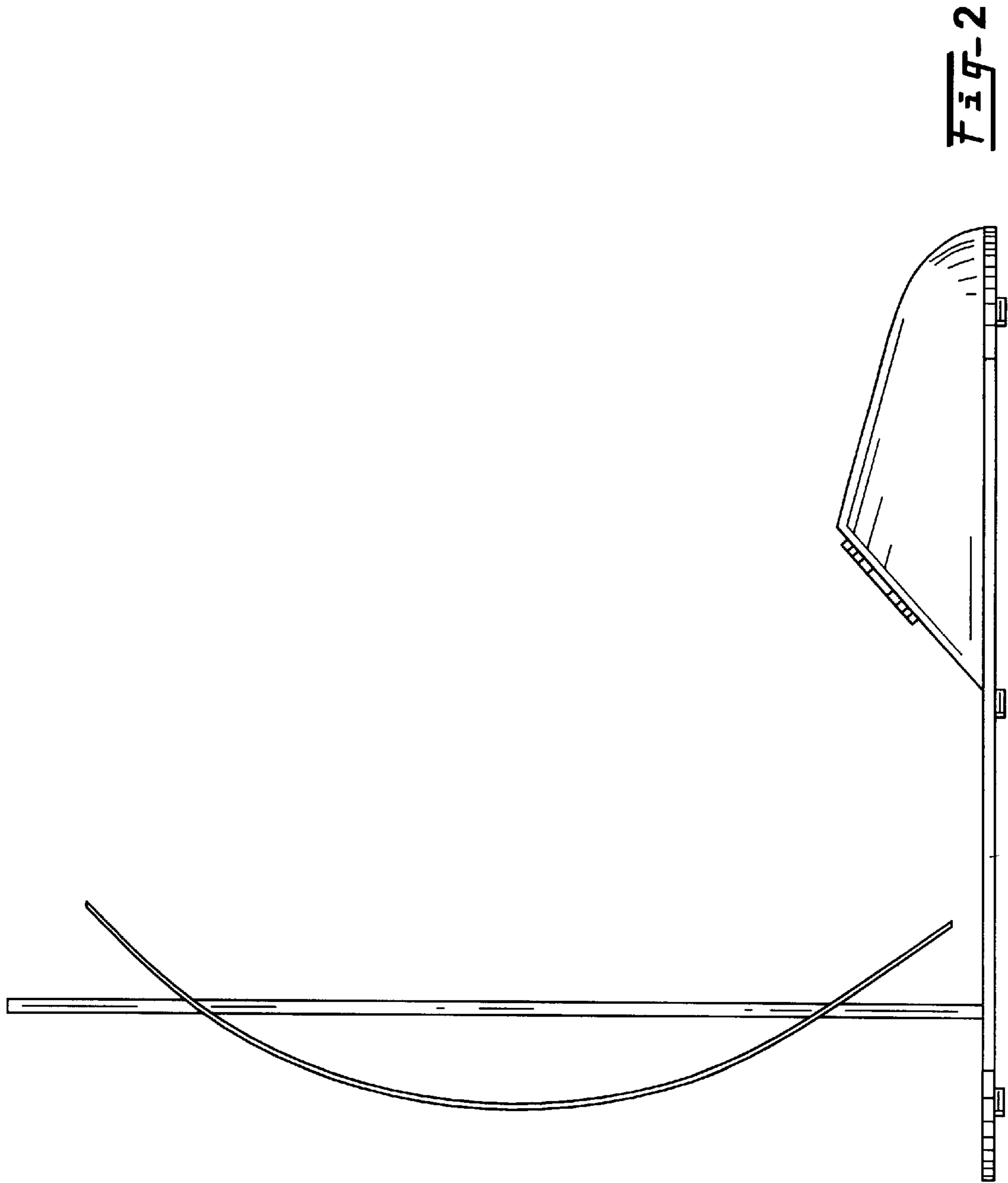


Fig-1



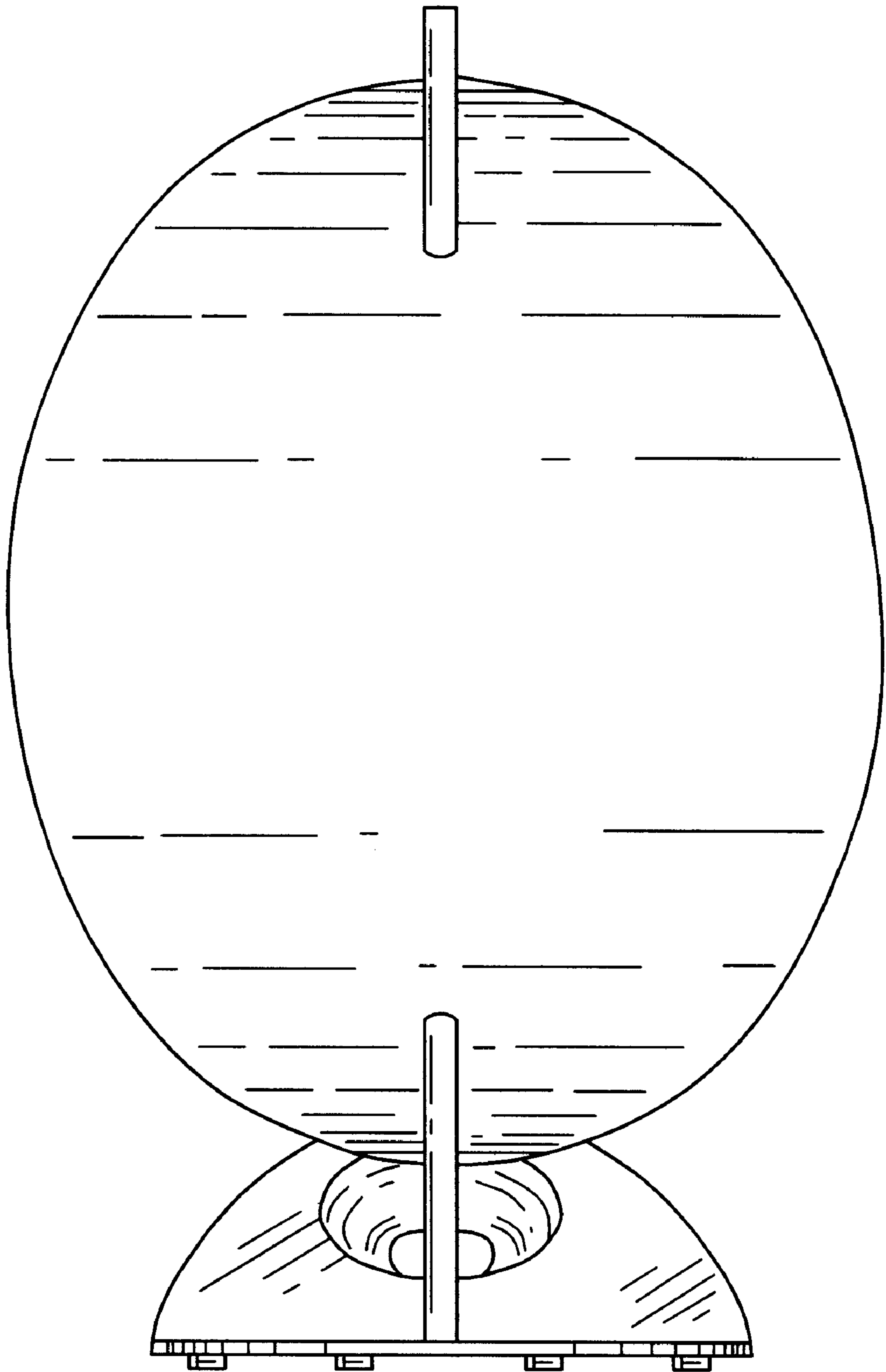


Fig-3

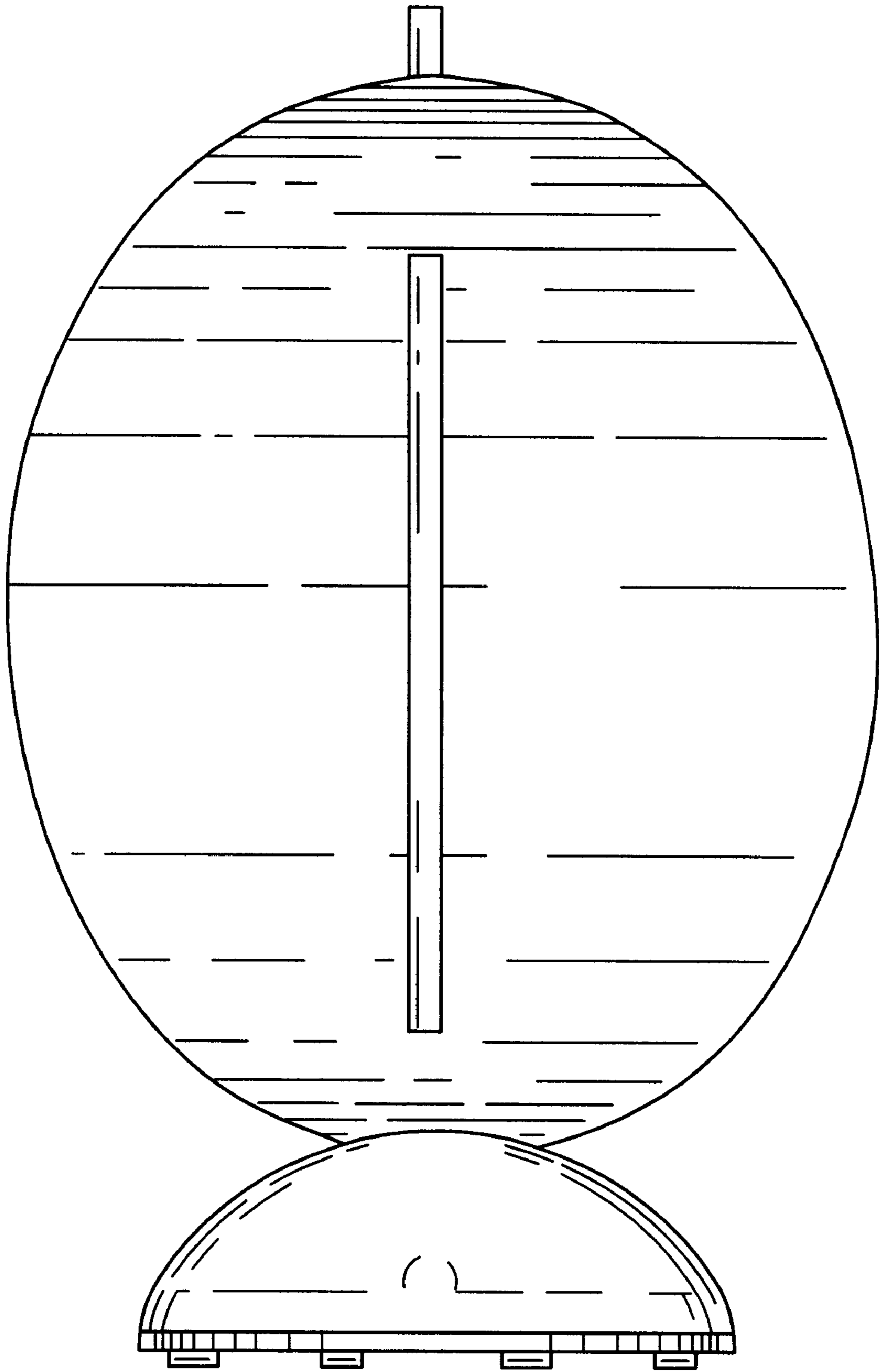


Fig-4

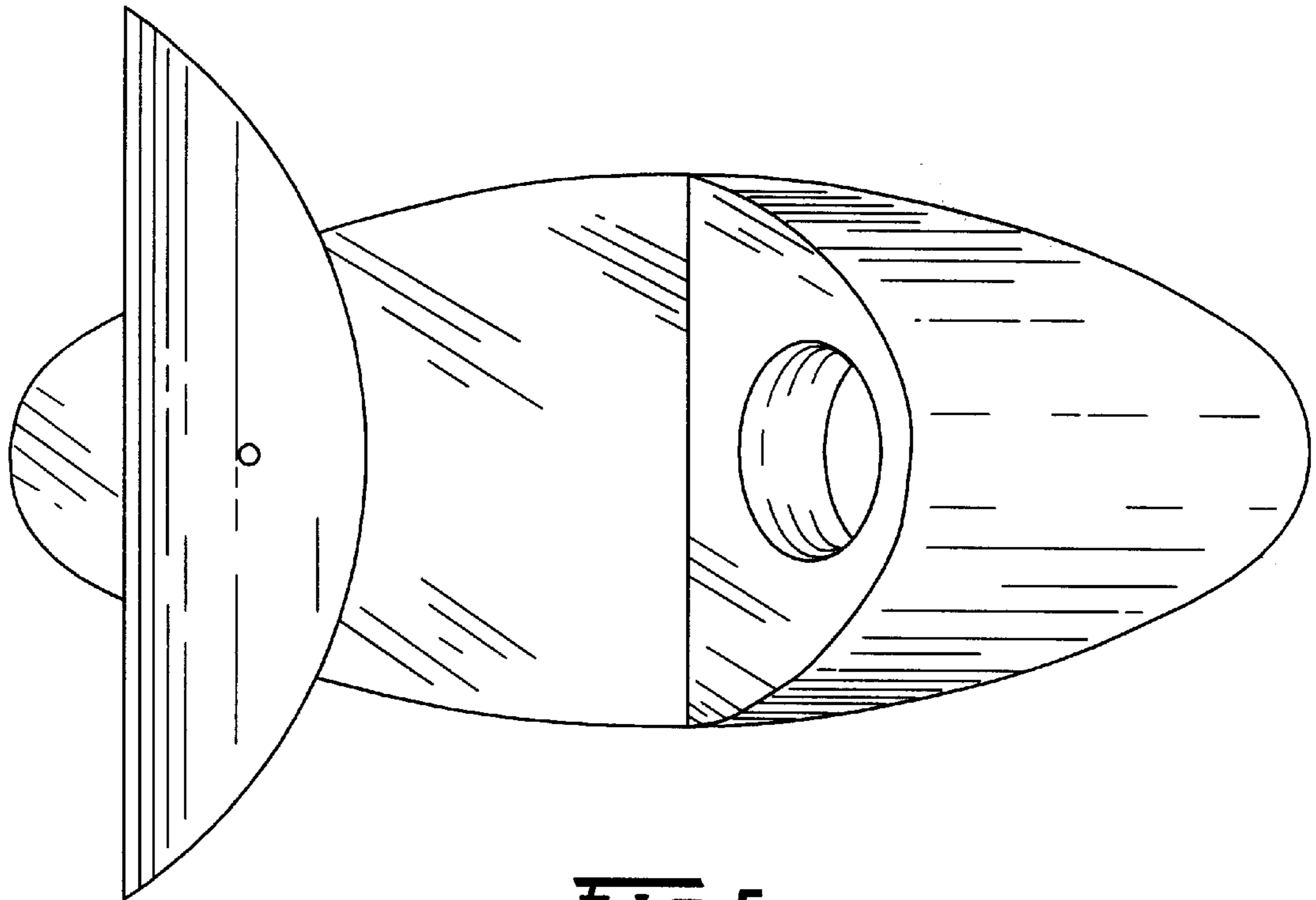


Fig-5

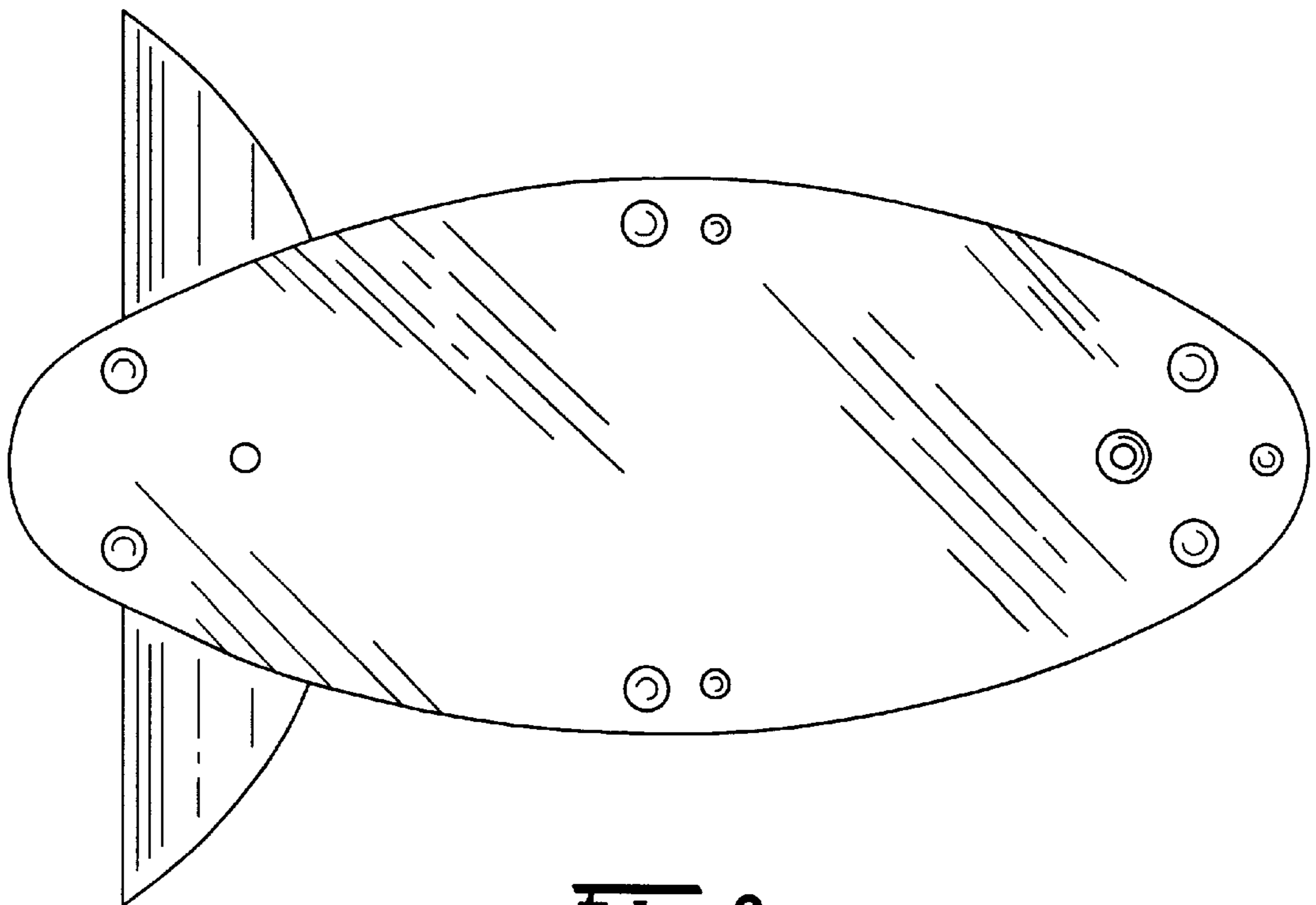


Fig-6

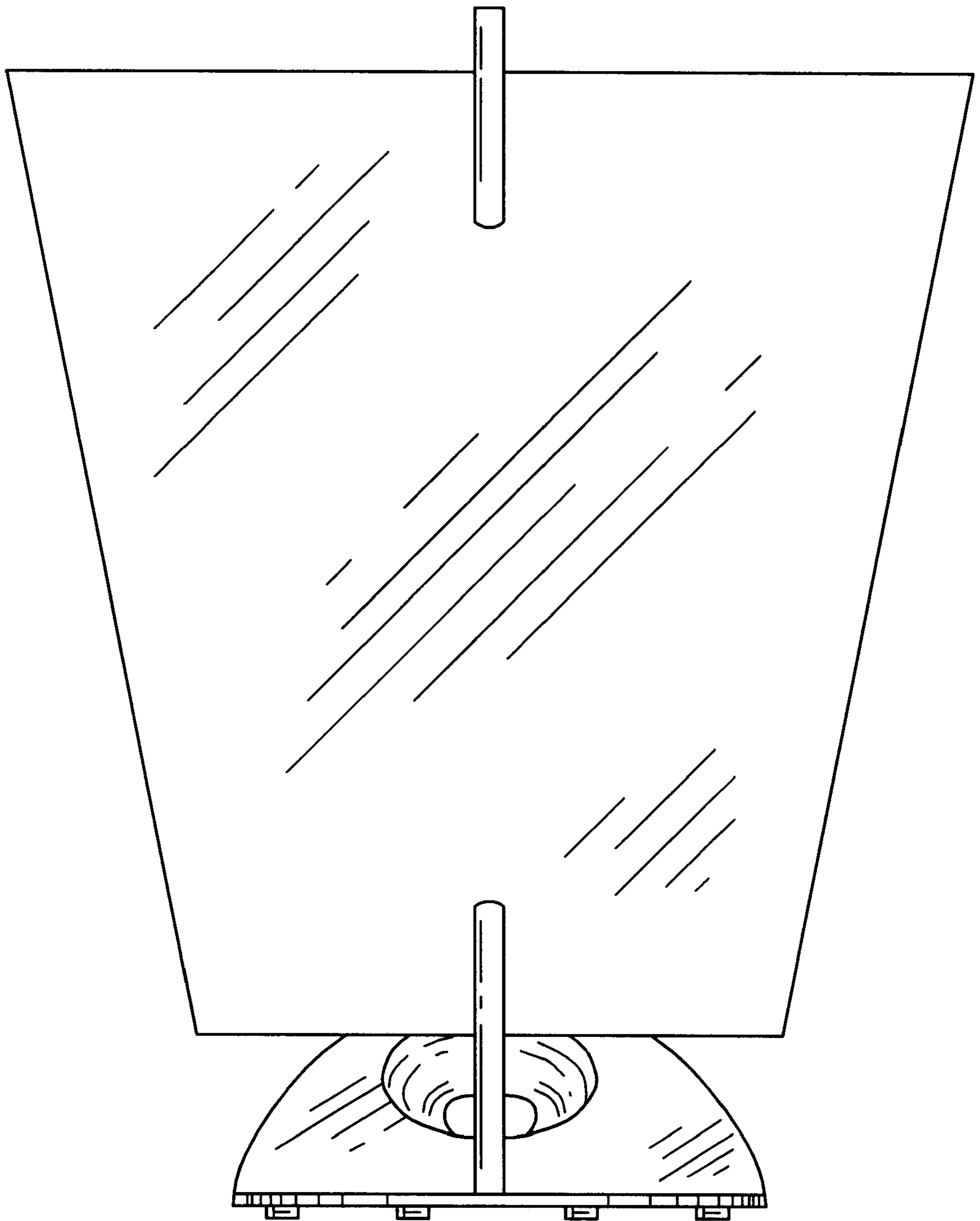


Fig-7

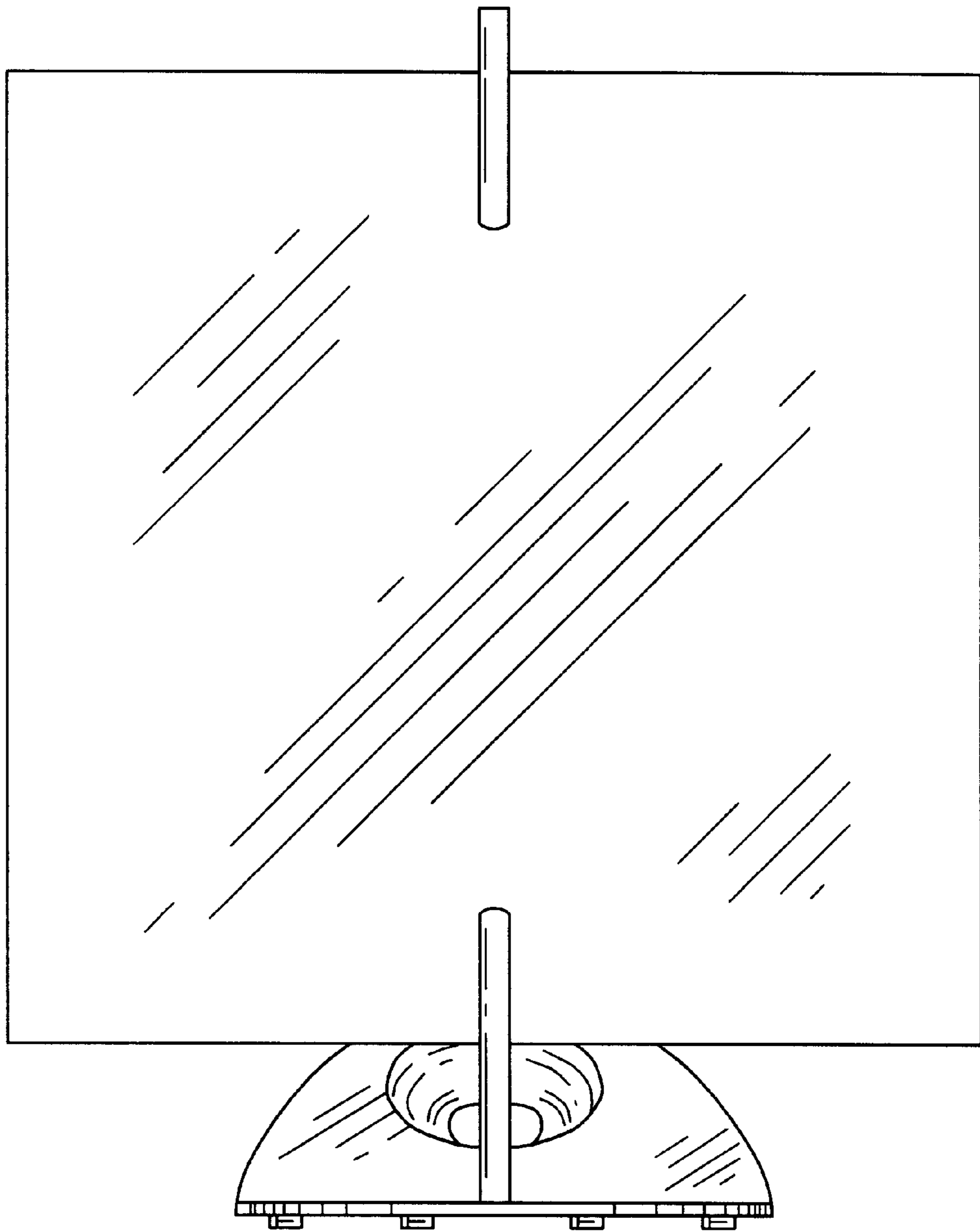


Fig-8

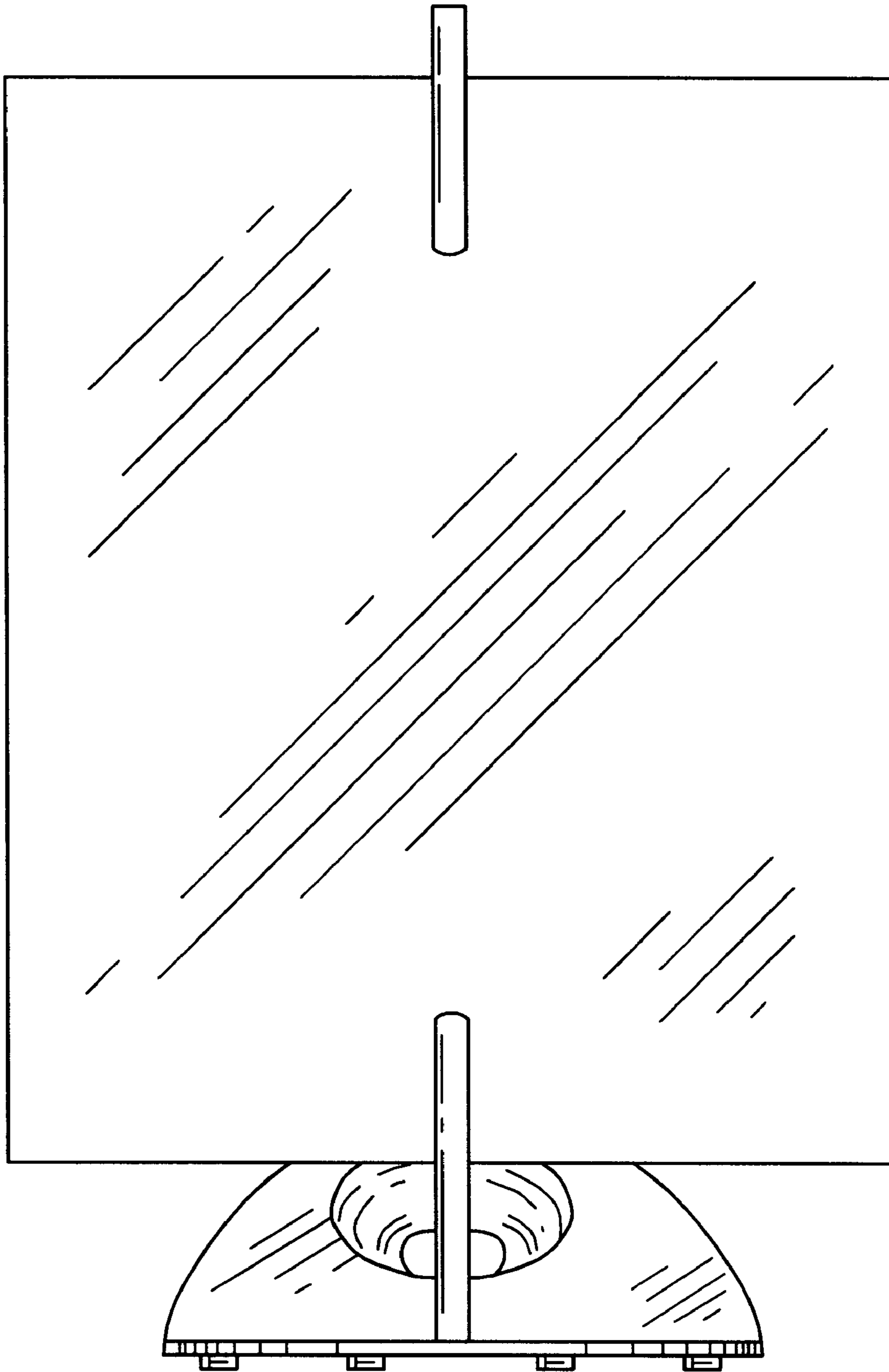


Fig-9