



US00D440003S

(12) **United States Design Patent** (10) **Patent No.:** **US D440,003 S**  
**Berry** (45) **Date of Patent:** **\*\* Apr. 3, 2001**

- (54) **SIX-SIDED TAPERED LANTERN**
- (76) Inventor: **Thomas David Berry**, 1480 Pine Creek Dr., Lawrenceville, GA (US) 30043
- (\*\*) Term: **14 Years**
- (21) Appl. No.: **29/123,309**
- (22) Filed: **May 15, 2000**
- (51) **LOC (7) Cl.** ..... **26-03**
- (52) **U.S. Cl.** ..... **D26/87**
- (58) **Field of Search** ..... D26/72-92, 141-144, D26/155; 362/404-408, 143, 432

Home Lighting & Accessories, Special Light Products Company, Inc. Astor lamp on p. 249, Dec. 1997.\*

\* cited by examiner

*Primary Examiner*—Marcus A. Jackson  
*Assistant Examiner*—Linda Brooks  
(74) *Attorney, Agent, or Firm*—Patent Law Offices of Albert S. Anderson

- (56) **References Cited**
- U.S. PATENT DOCUMENTS**
- |            |   |         |         |       |        |
|------------|---|---------|---------|-------|--------|
| D. 66,189  | * | 12/1924 | Jaeger  | ..... | D26/87 |
| D. 314,834 |   | 2/1991  | Rottner | .     |        |
| D. 316,912 | * | 5/1991  | Choi    | ..... | D26/87 |
| D. 333,531 |   | 2/1993  | Rottner | .     |        |

- OTHER PUBLICATIONS**
- Home Lighting & Accessories, Villa Nova lamp by F Ramond ® on p. 51, Mar. 1998.\*
- Home Lighting & Accessories, ELA lamp at top right corner of p. 68, Apr. 1997.\*

(57) **CLAIM**

The ornamental design for a six-sided tapered lantern, as shown.

**DESCRIPTION**

FIG. 1 is a perspective view of a six-sided tapered lantern showing my new design;

FIG. 2 is a front elevational view thereof;

FIG. 3 is a rear elevational view thereof;

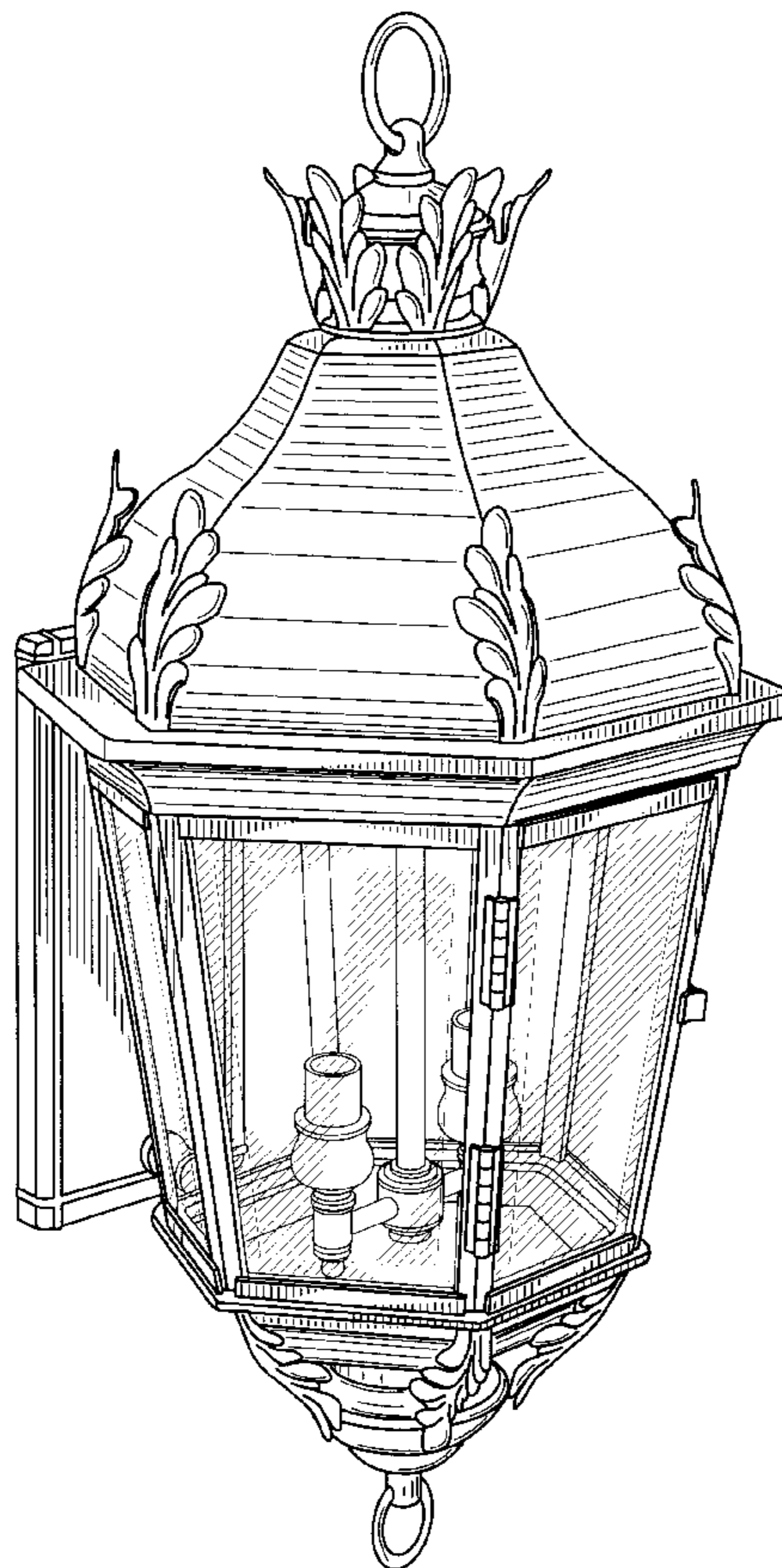
FIG. 4 is a left-side elevational view thereof;

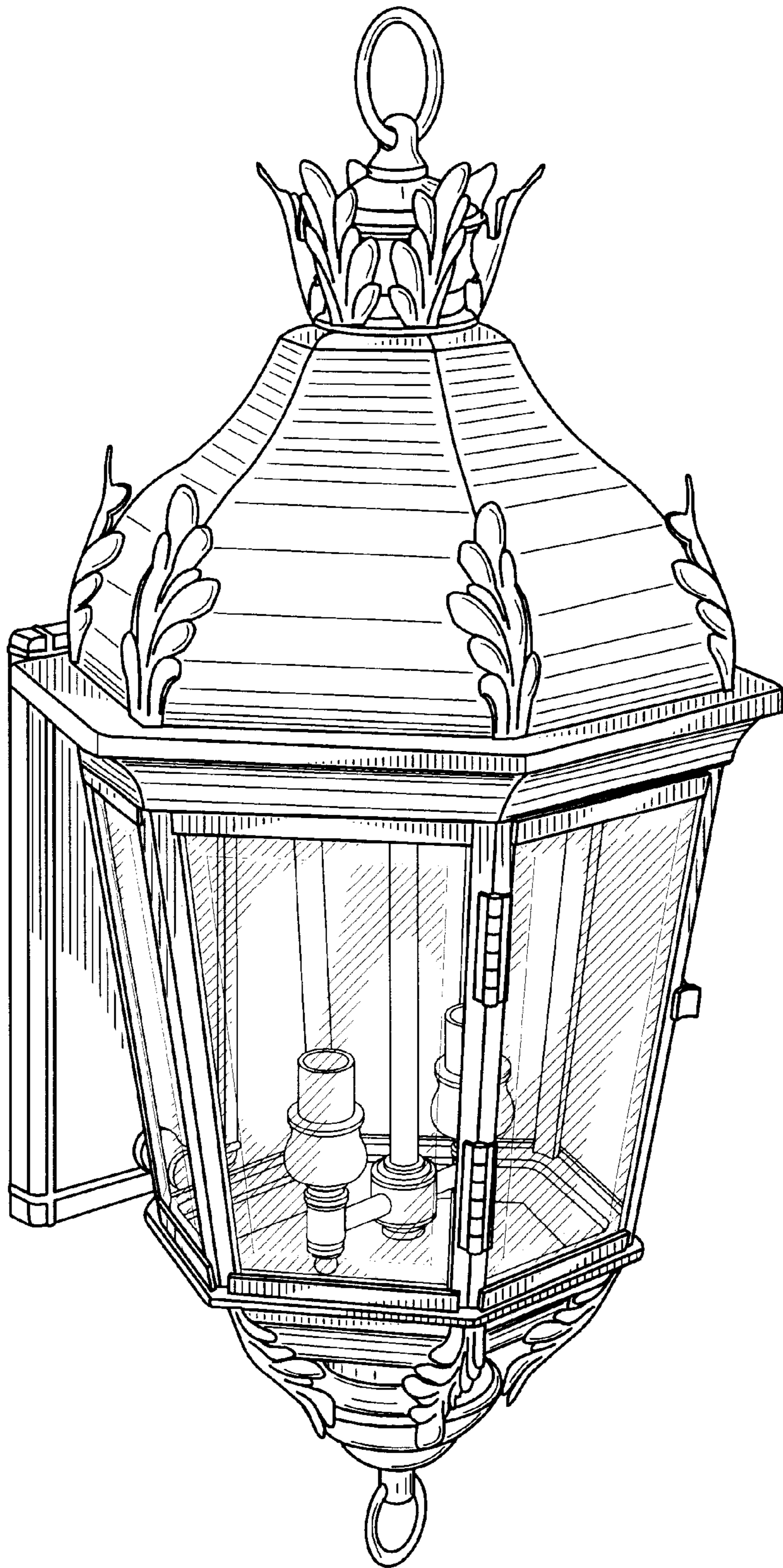
FIG. 5 is a right-side elevational view thereof;

FIG. 6 is a top plan view thereof; and,

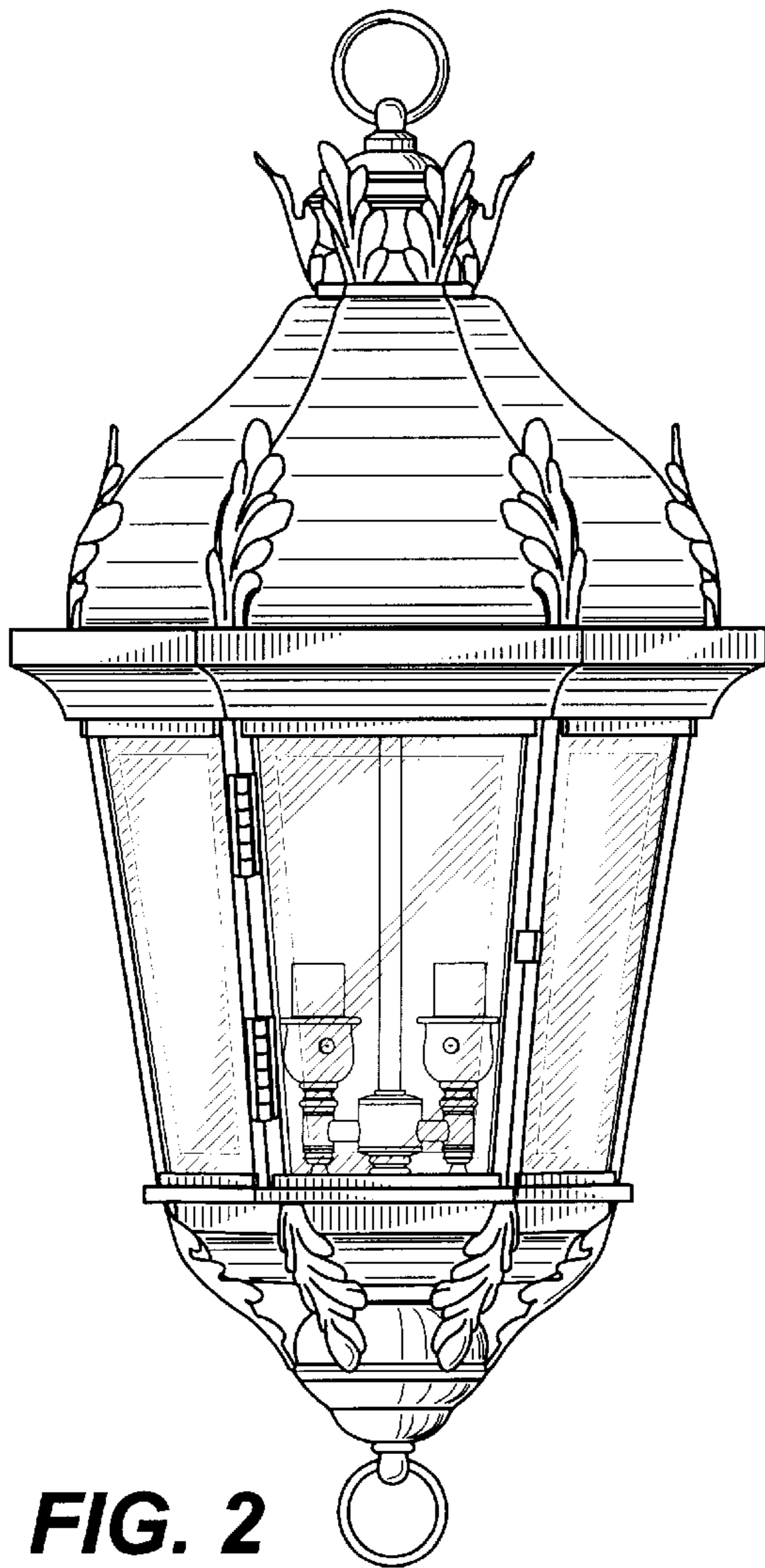
FIG. 7 is a bottom plan view thereof.

**1 Claim, 4 Drawing Sheets**

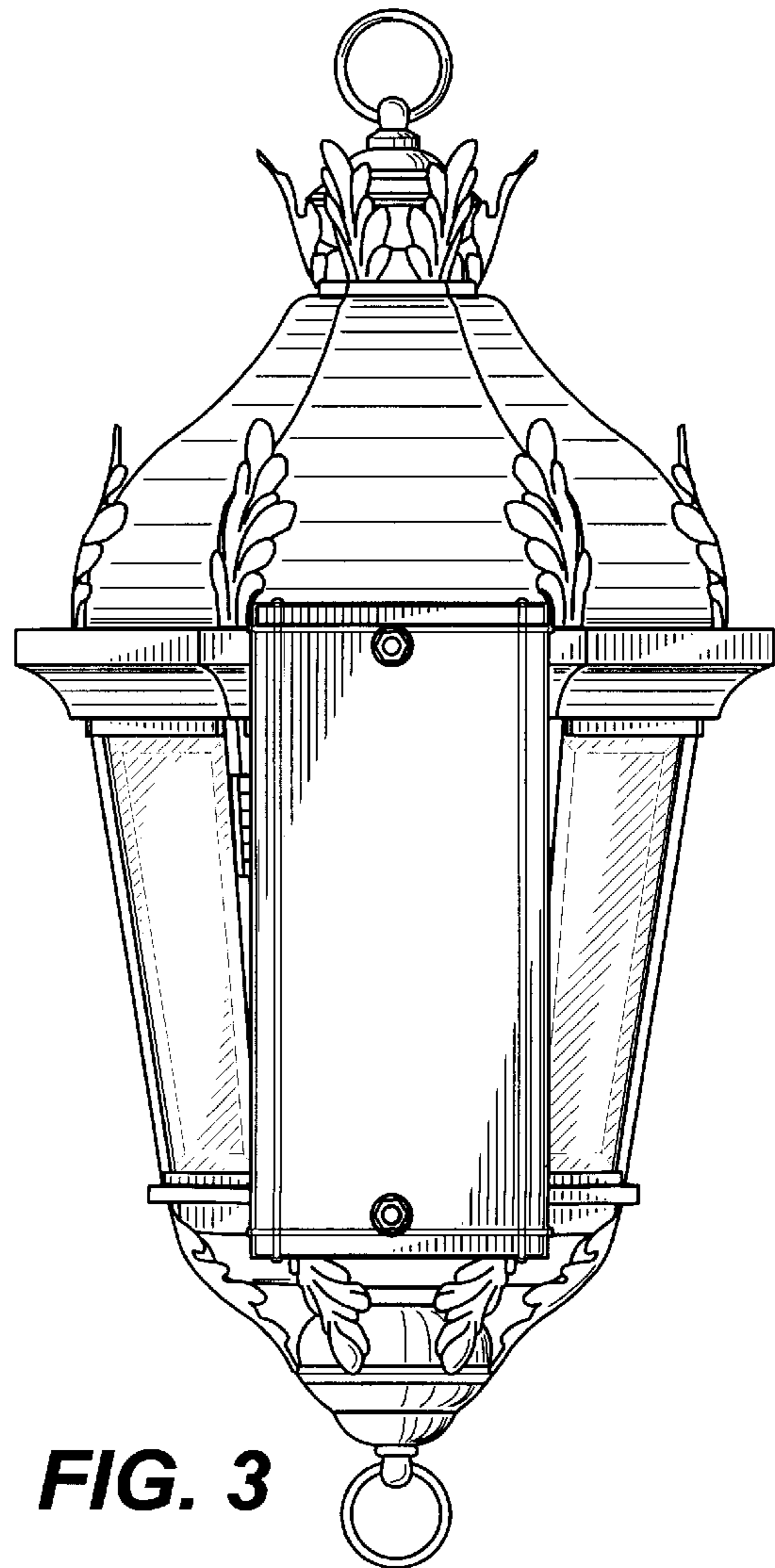




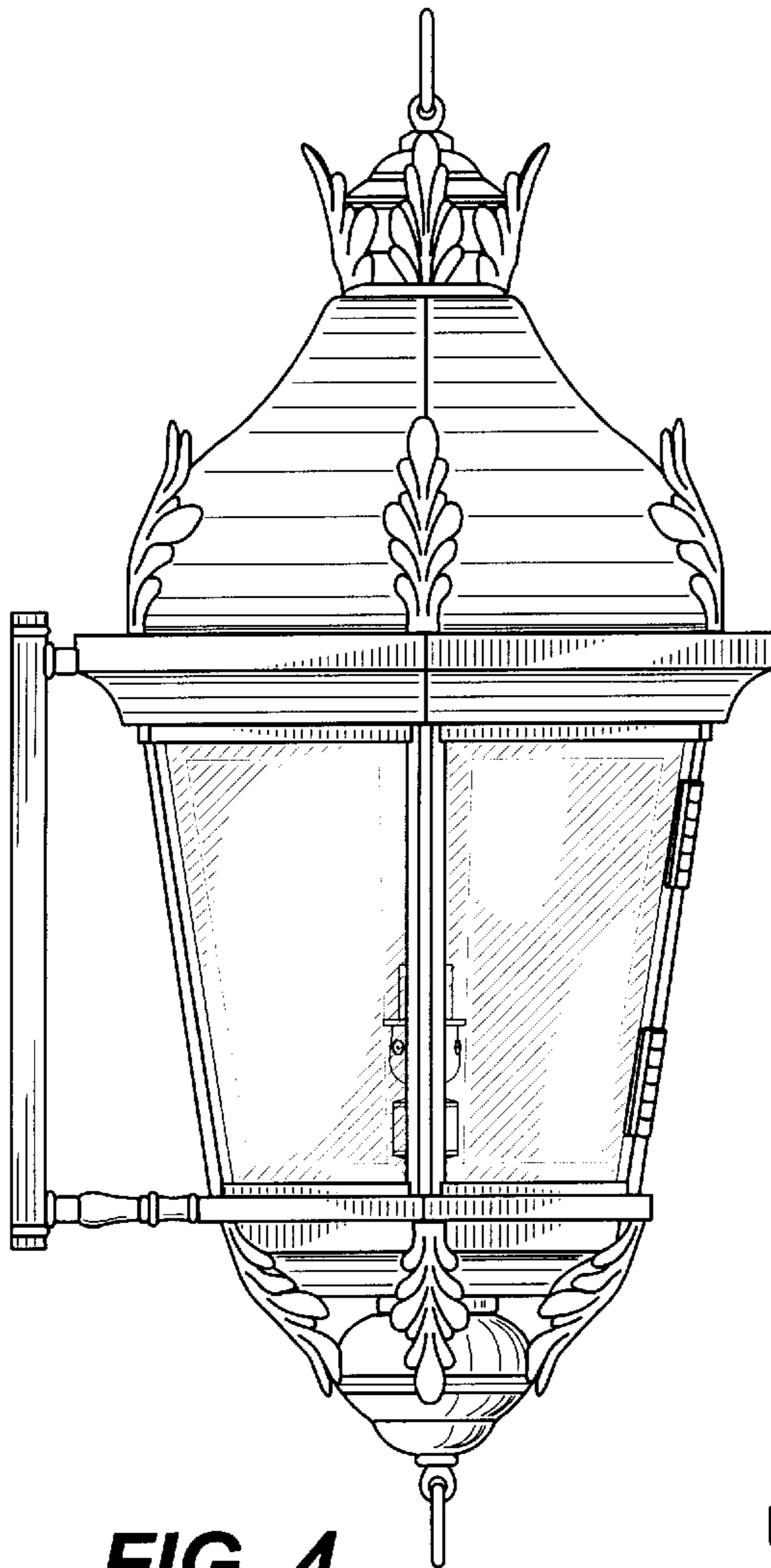
**FIG. 1**



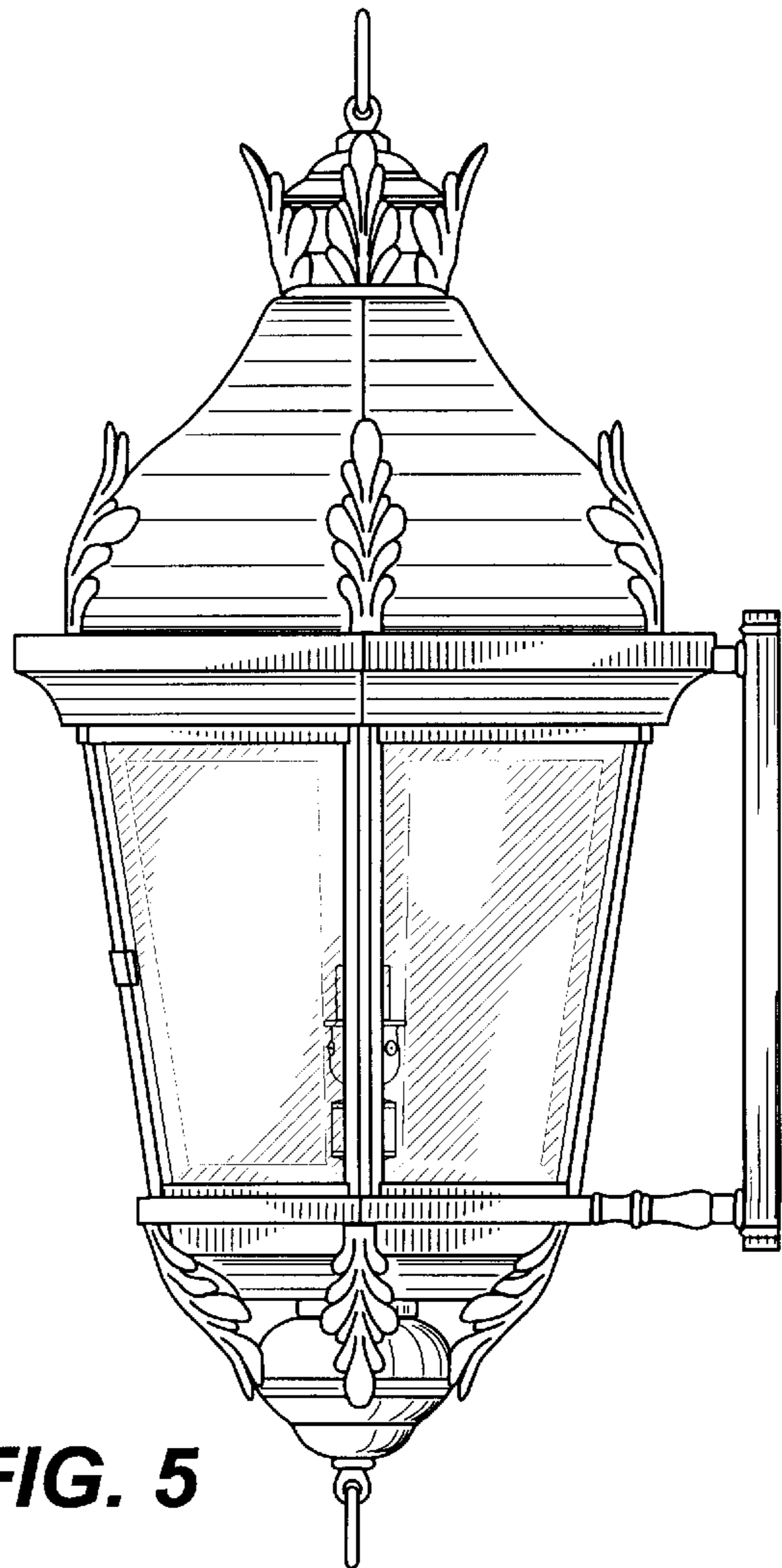
**FIG. 2**



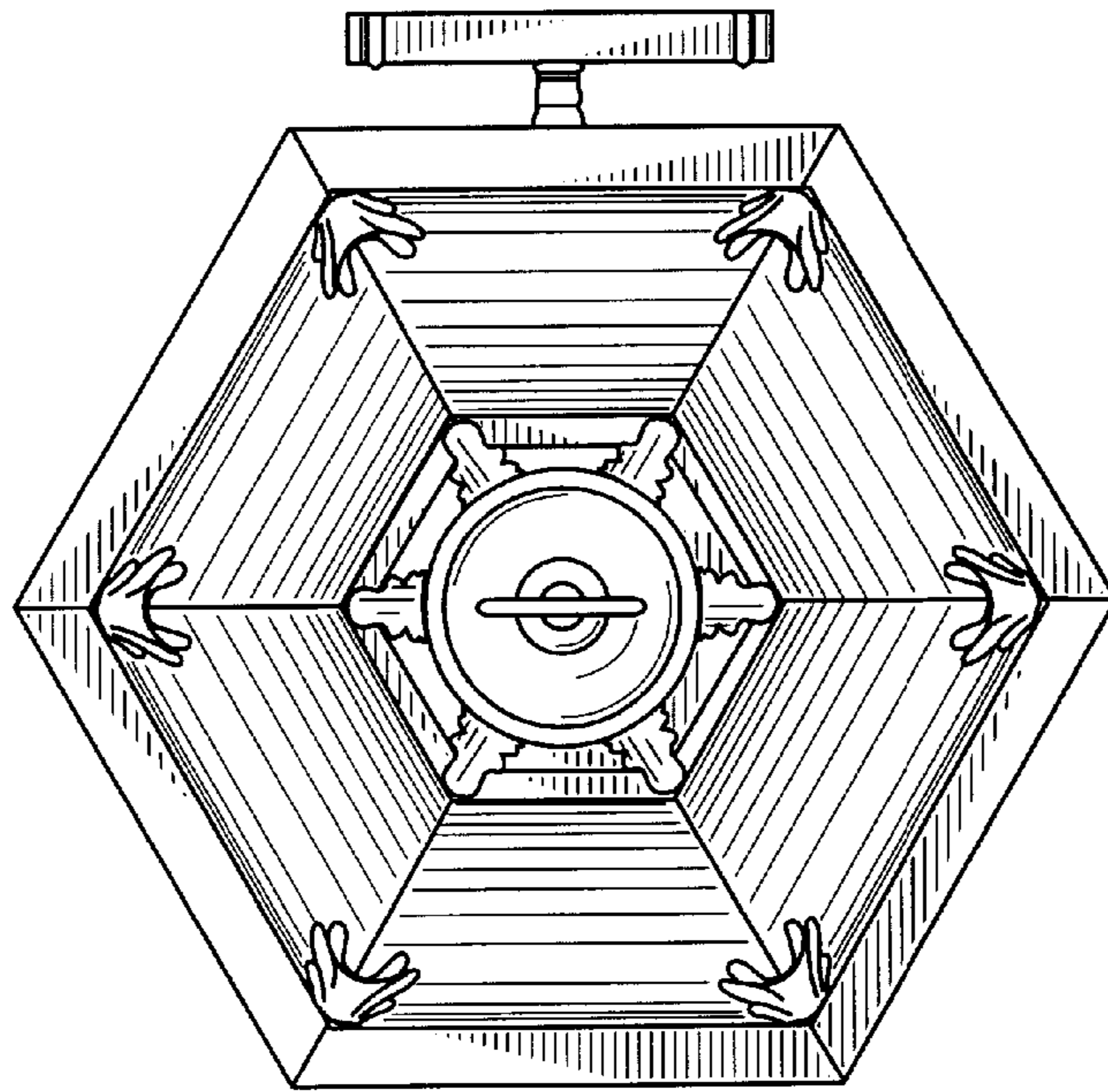
**FIG. 3**



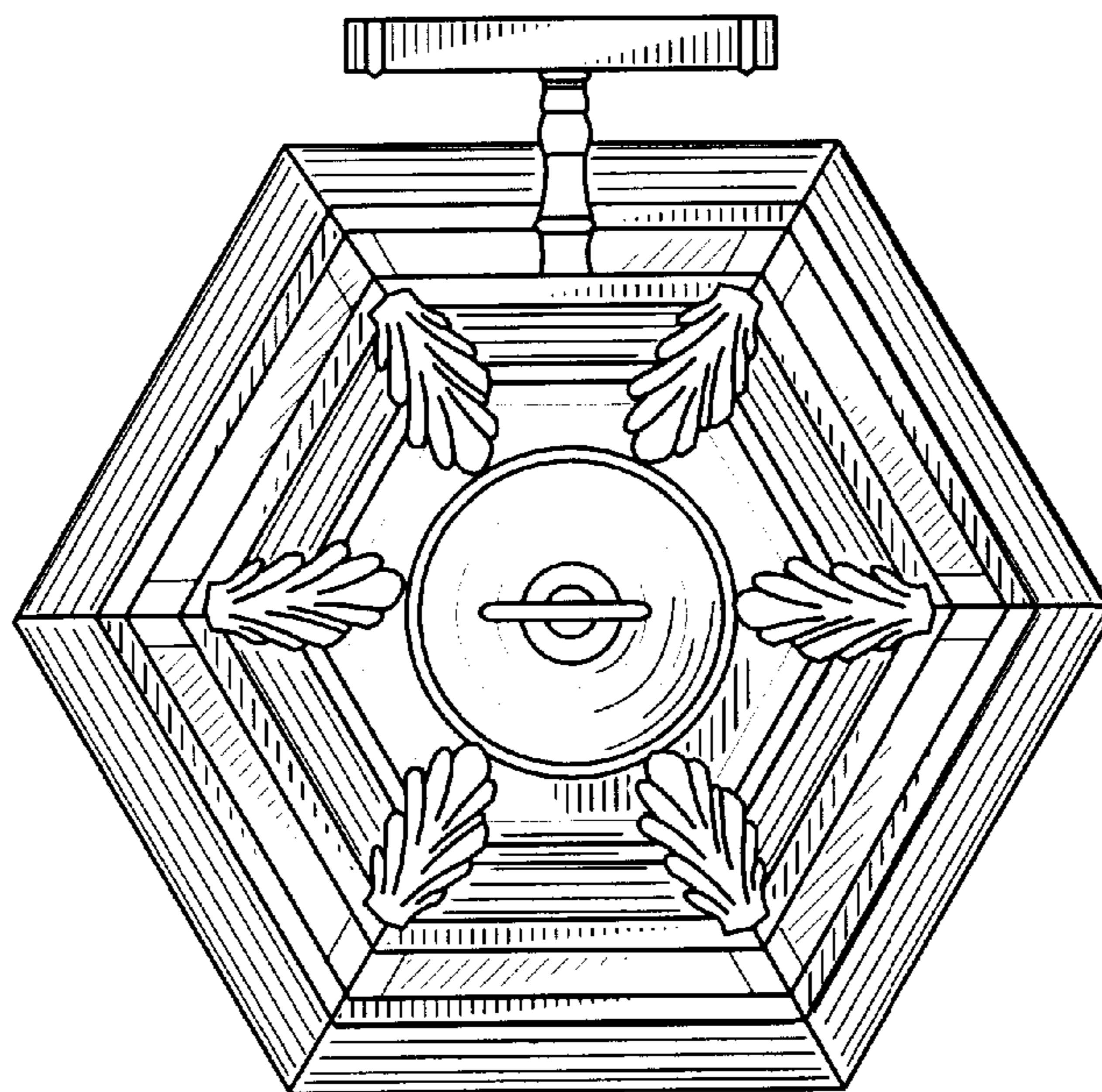
**FIG. 4**



**FIG. 5**



**FIG. 6**



**FIG. 7**