



US00D440002S

(12) **United States Design Patent**
Miranda

(10) **Patent No.:** **US D440,002 S**

(45) **Date of Patent:** **** Apr. 3, 2001**

(54) **LANTERN**

Home Lighting & Accessories, Regent lamp on p. 58, Apr. 1997.*

(76) **Inventor:** **Pasquale Miranda**, 63- 2nd St., Garden City, NY (US) 11530

* cited by examiner

(**) **Term:** **14 Years**

Primary Examiner—Marcus A. Jackson
Assistant Examiner—Linda Brooks

(21) **Appl. No.:** **29/118,764**

(22) **Filed:** **Feb. 15, 2000**

(51) **LOC (7) Cl.** **26-03**

(52) **U.S. Cl.** **D26/87**

(58) **Field of Search** D26/72, 92, 141-145,
D26/149, 155, 156; 362/404-408, 147,
432

(57) **CLAIM**

The ornamental design for a lantern, as shown and described.

DESCRIPTION

FIG. 1 is a perspective view of lantern showing my new design;

FIG. 2 is a front elevational view thereof;

FIG. 3 is a right side elevational view thereof; and,

FIG. 4 is a bottom plan view thereof.

The broken-line showing of environmental structures in FIGS. 1-4 is for illustrative purposes only and forms no part of the claimed design.

(56) **References Cited**

U.S. PATENT DOCUMENTS

- D. 72,997 * 7/1927 Gordon D26/88
- D. 186,719 * 11/1959 Goldman et al. D26/73
- D. 432,256 * 10/2000 Dolan D26/84

OTHER PUBLICATIONS

Home Lighting & Accessories, Oxford collection lamps by Quoizel on p. 27, Feb. 1998.*

1 Claim, 4 Drawing Sheets

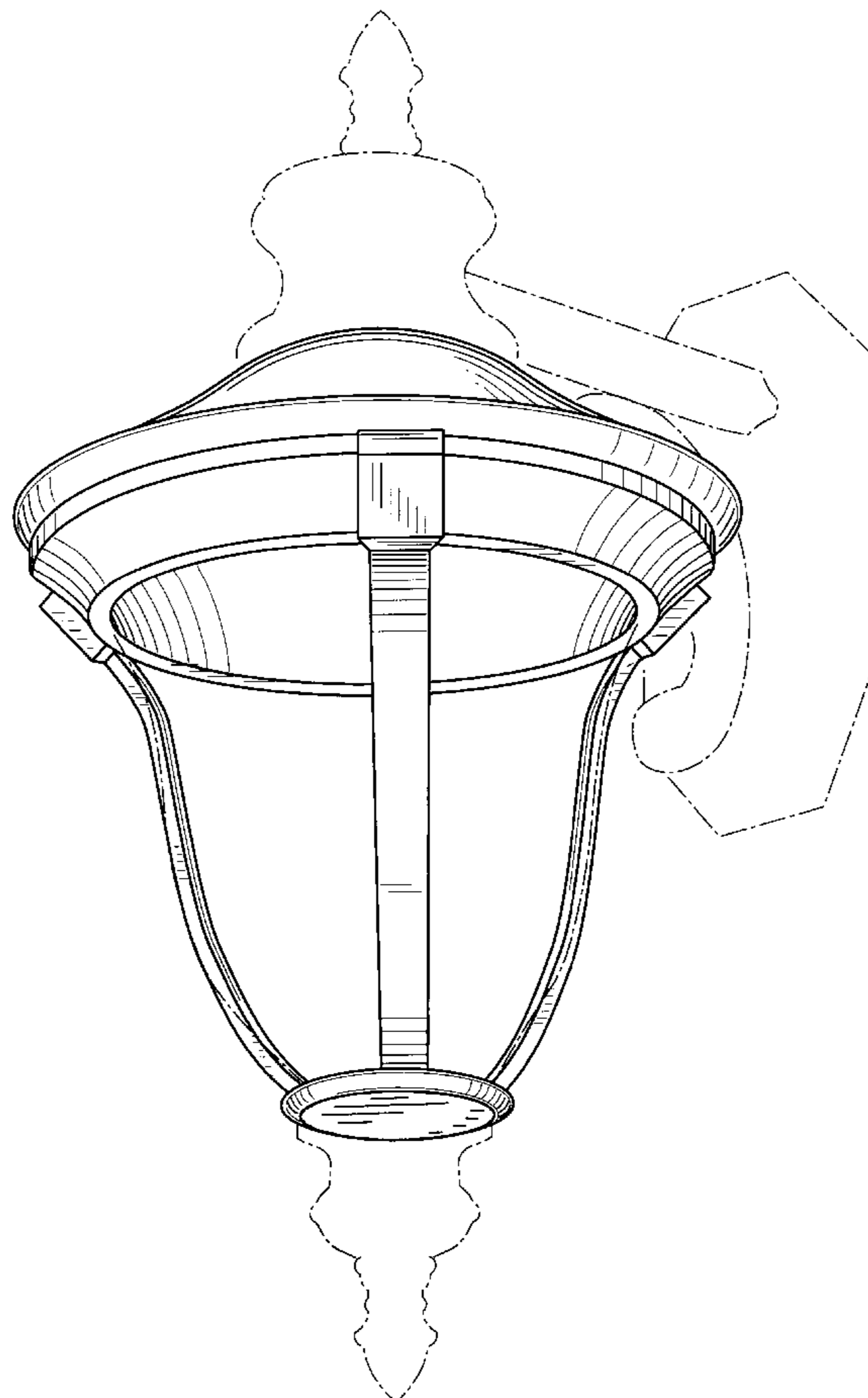


FIG. 1

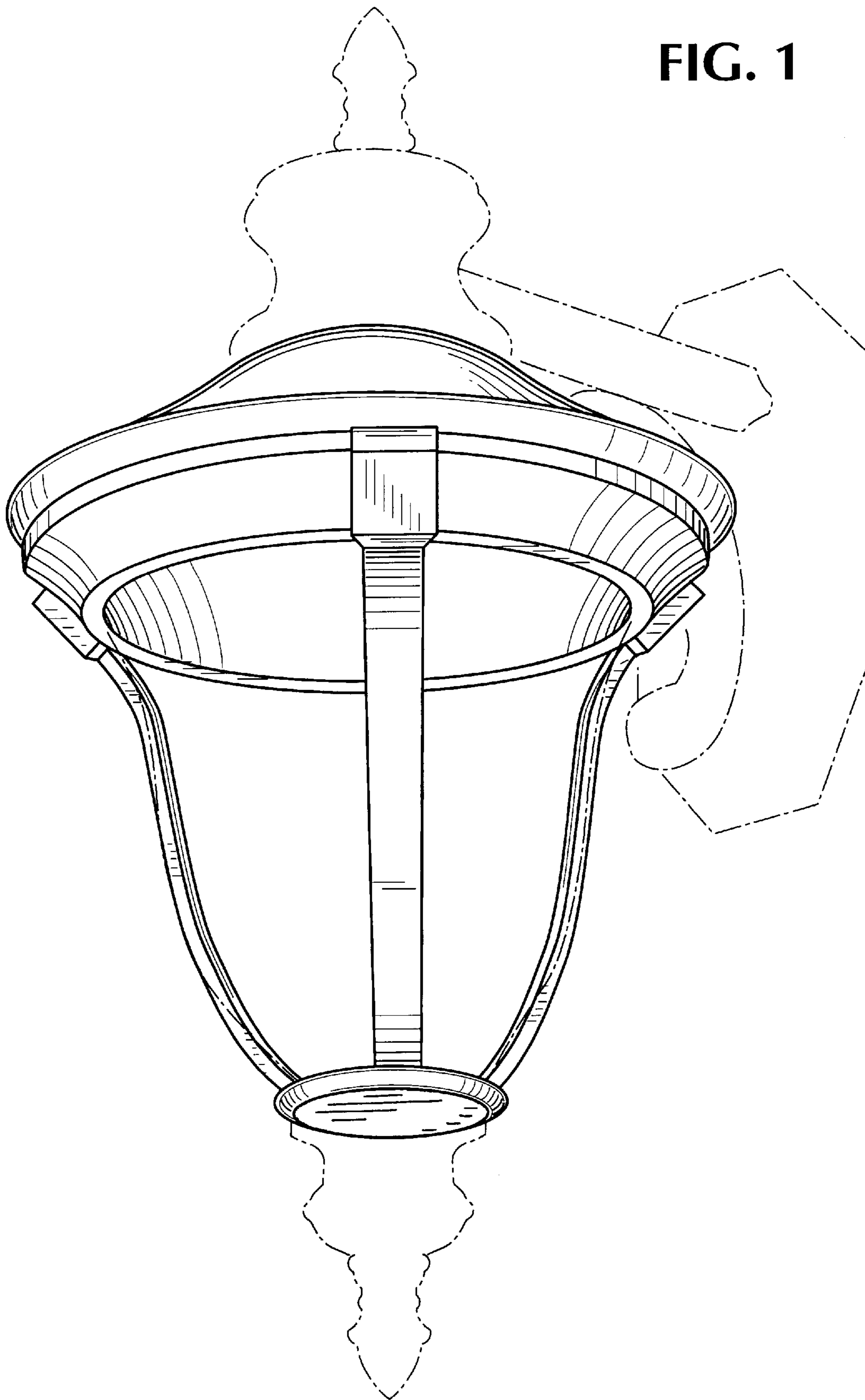


FIG. 2

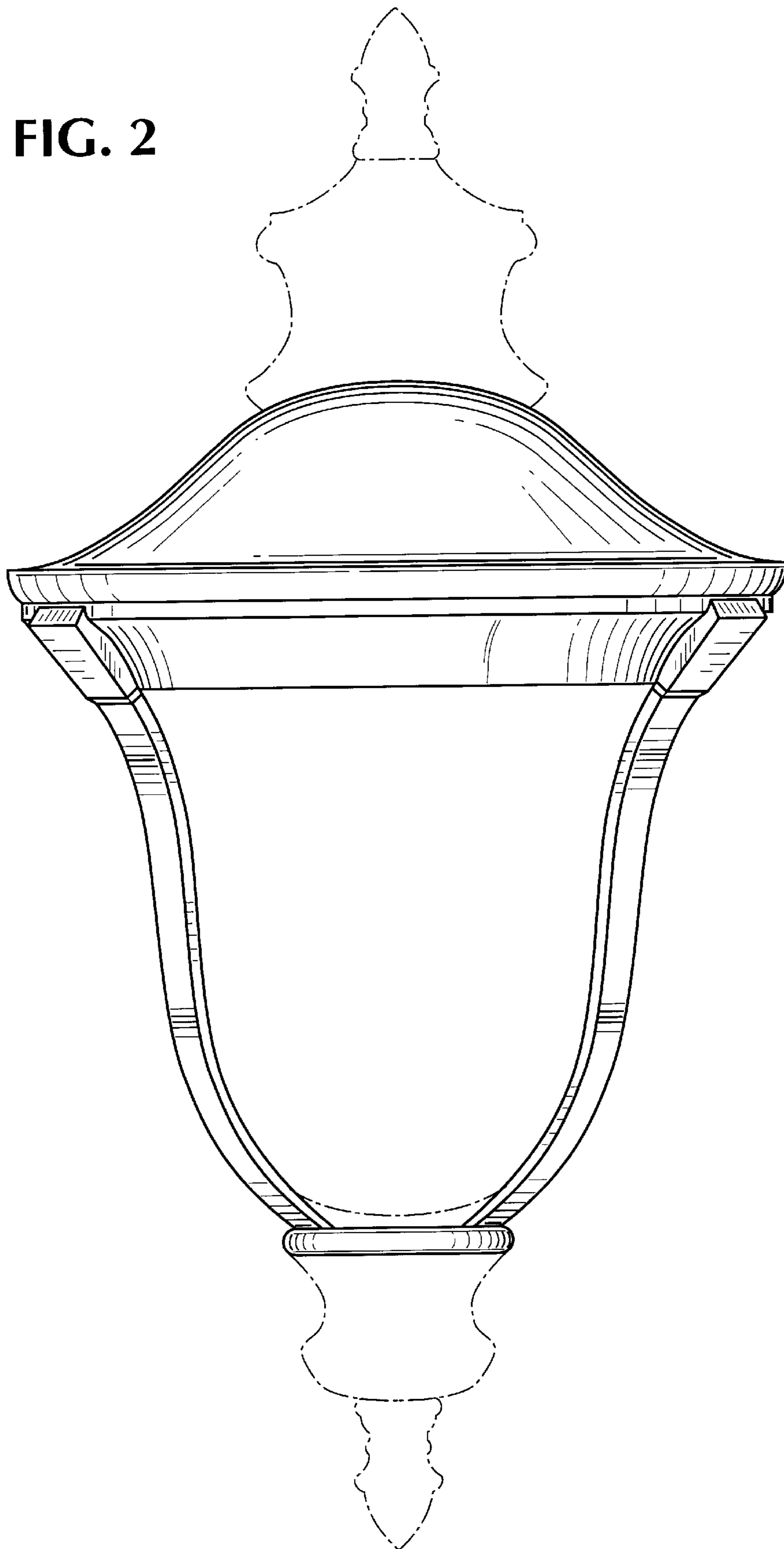


FIG. 3

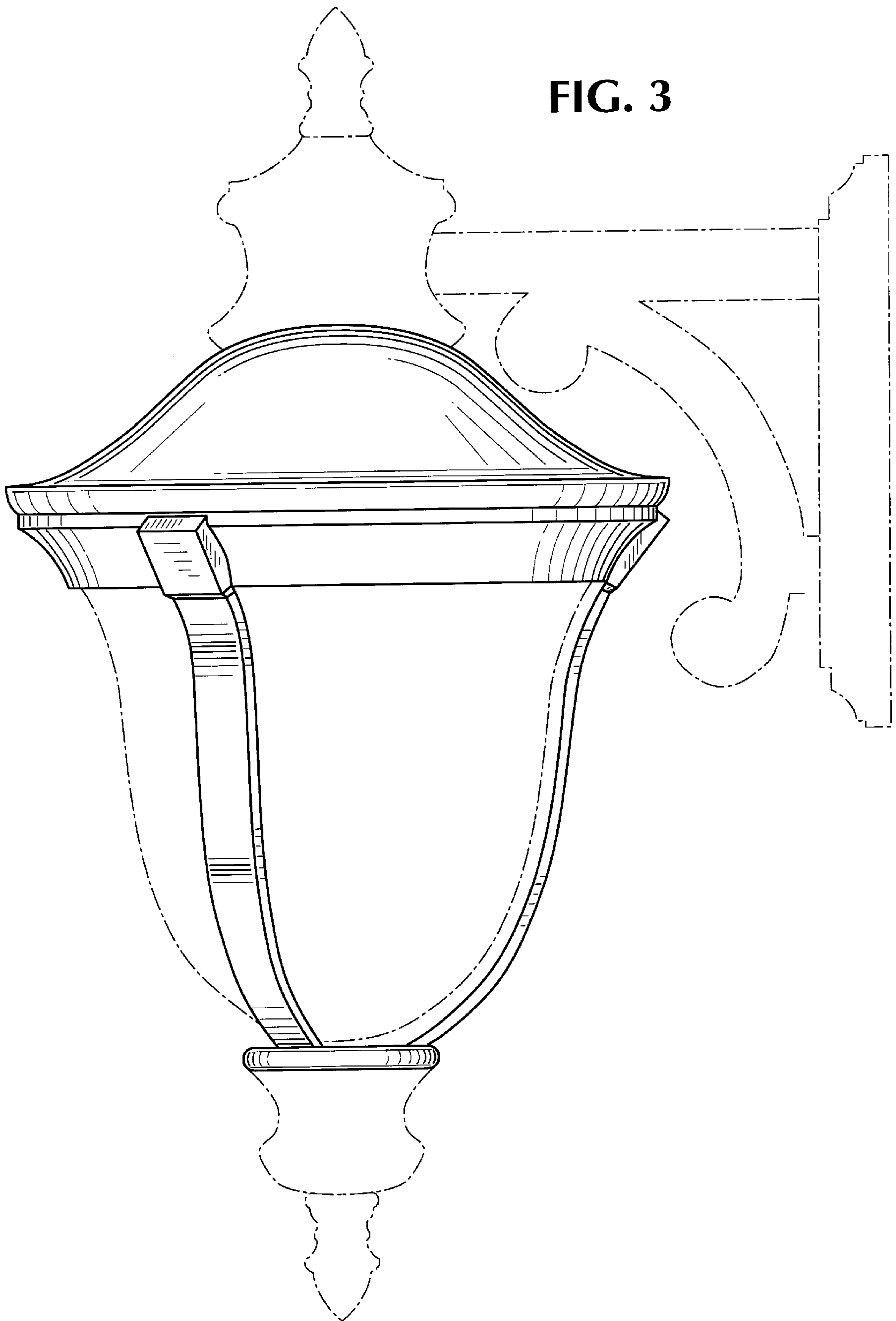


FIG. 4

