



US00D44000S

(12) **United States Design Patent**  
**Milicia**

(10) **Patent No.:** **US D440,000 S**

(45) **Date of Patent:** **\*\* Apr. 3, 2001**

(54) **OUTDOOR LIGHTING FIXTURE**

(75) Inventor: **Libbe A. Milicia**, North Royalton, OH (US)

(73) Assignee: **The L. D. Kichler Co.**, Cleveland, OH (US)

(\*\*) Term: **14 Years**

(21) Appl. No.: **29/110,929**

(22) Filed: **Sep. 16, 1999**

(51) **LOC (7) Cl.** ..... **26-05**

(52) **U.S. Cl.** ..... **D26/68; D26/101**

(58) **Field of Search** ..... D26/67-72, 85-92,  
D26/93-112, 128-137; 362/404-408, 410-414,  
431, 153, 153.1

(56) **References Cited**

**U.S. PATENT DOCUMENTS**

D. 392,763 \* 3/1998 Denison et al. .... D26/68

**OTHER PUBLICATIONS**

Iluminotecnica, lighting unit on p. 289, May/Jun. 1998.\*  
Iluminotecnica, lighting fixtures on p. 292, Sep./Oct. 1997.\*

\* cited by examiner

*Primary Examiner*—Alan P. Douglas

*Assistant Examiner*—Linda Brooks

(74) *Attorney, Agent, or Firm*—Watts, Hoffman, Fisher & Heinke, Co., L.P.A.

(57) **CLAIM**

I claim the ornamental design for an outdoor lighting fixture, as shown and described.

**DESCRIPTION**

FIG. 1 is a perspective view of an outdoor lighting fixture showing my new design;

FIG. 2 is a right side elevational view of the outdoor lighting fixture,;

FIG. 3 is a left side elevational view of the outdoor lighting fixture;

FIG. 4 is a top plan view of the outdoor lighting fixture;

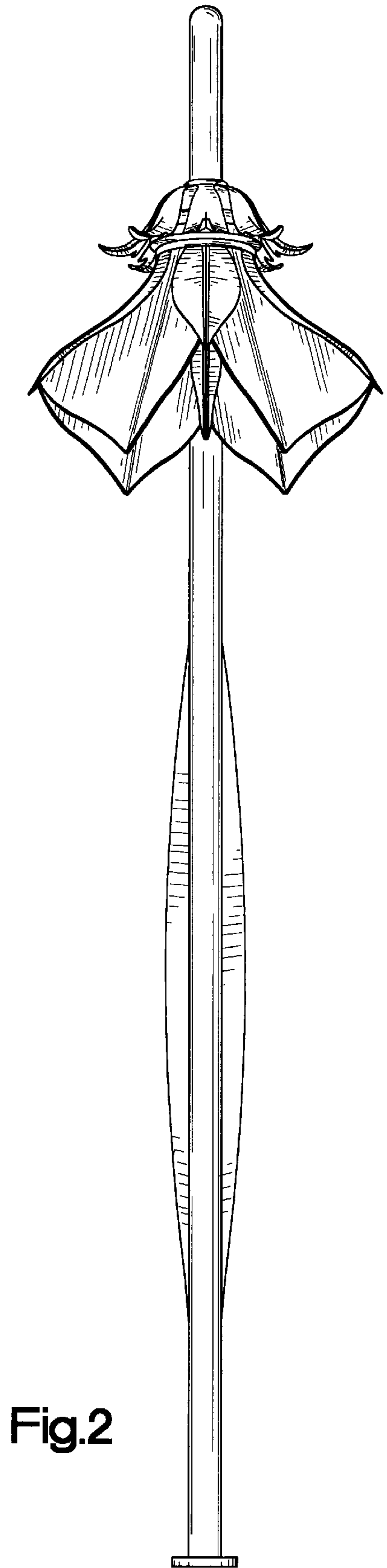
FIG. 5 is a bottom plan view of the outdoor lighting fixture; and,

FIG. 6 is a front elevational view of the outdoor lighting fixture, the rear elevational view being a mirror image.

The broken lines shown are for illustrative purposes only and form no part of the claimed design.

**1 Claim, 3 Drawing Sheets**





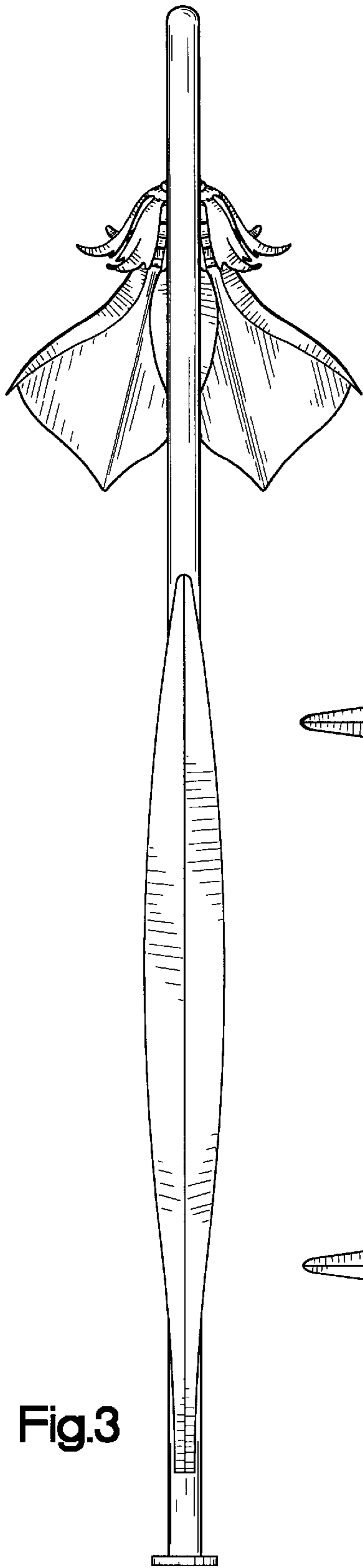


Fig.3

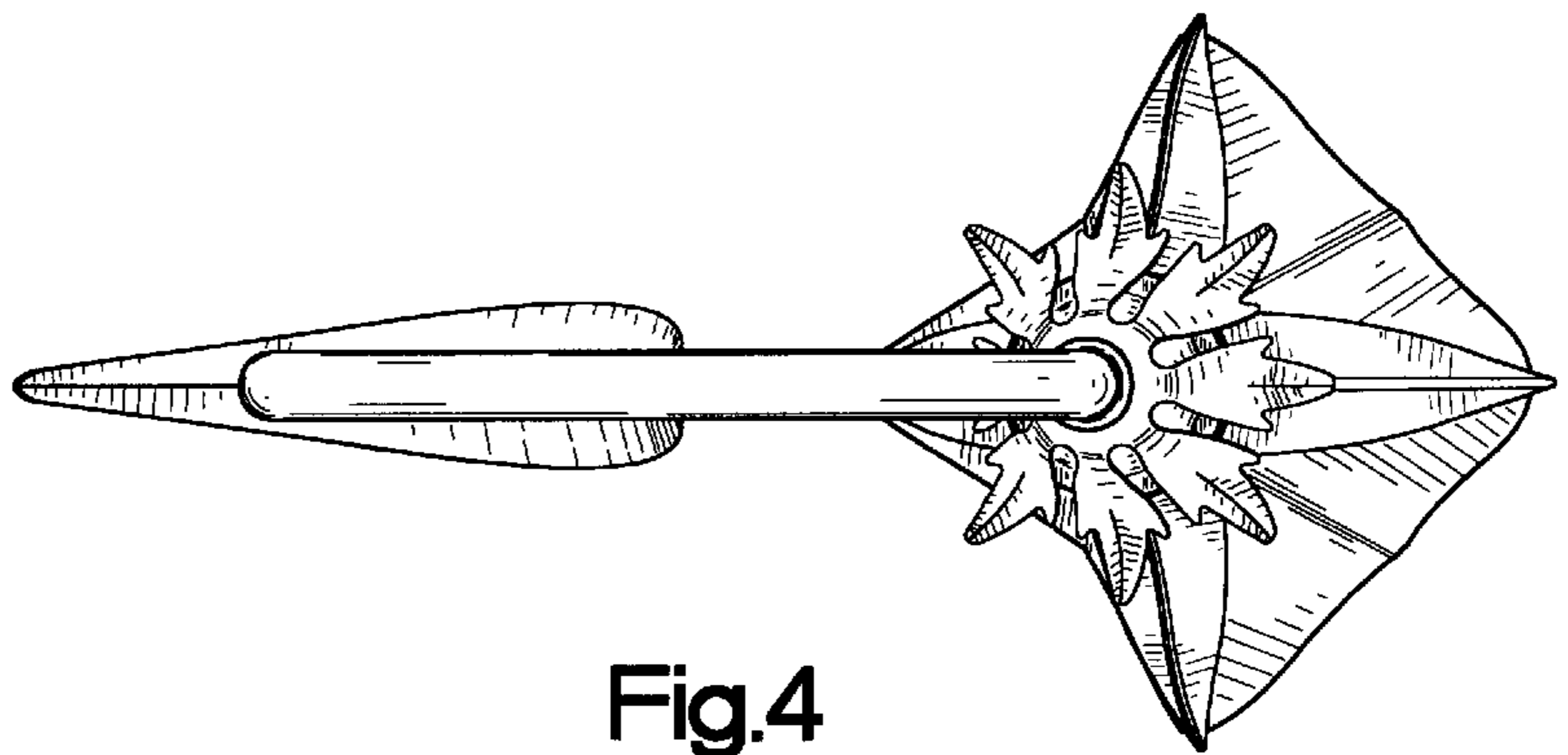


Fig.4

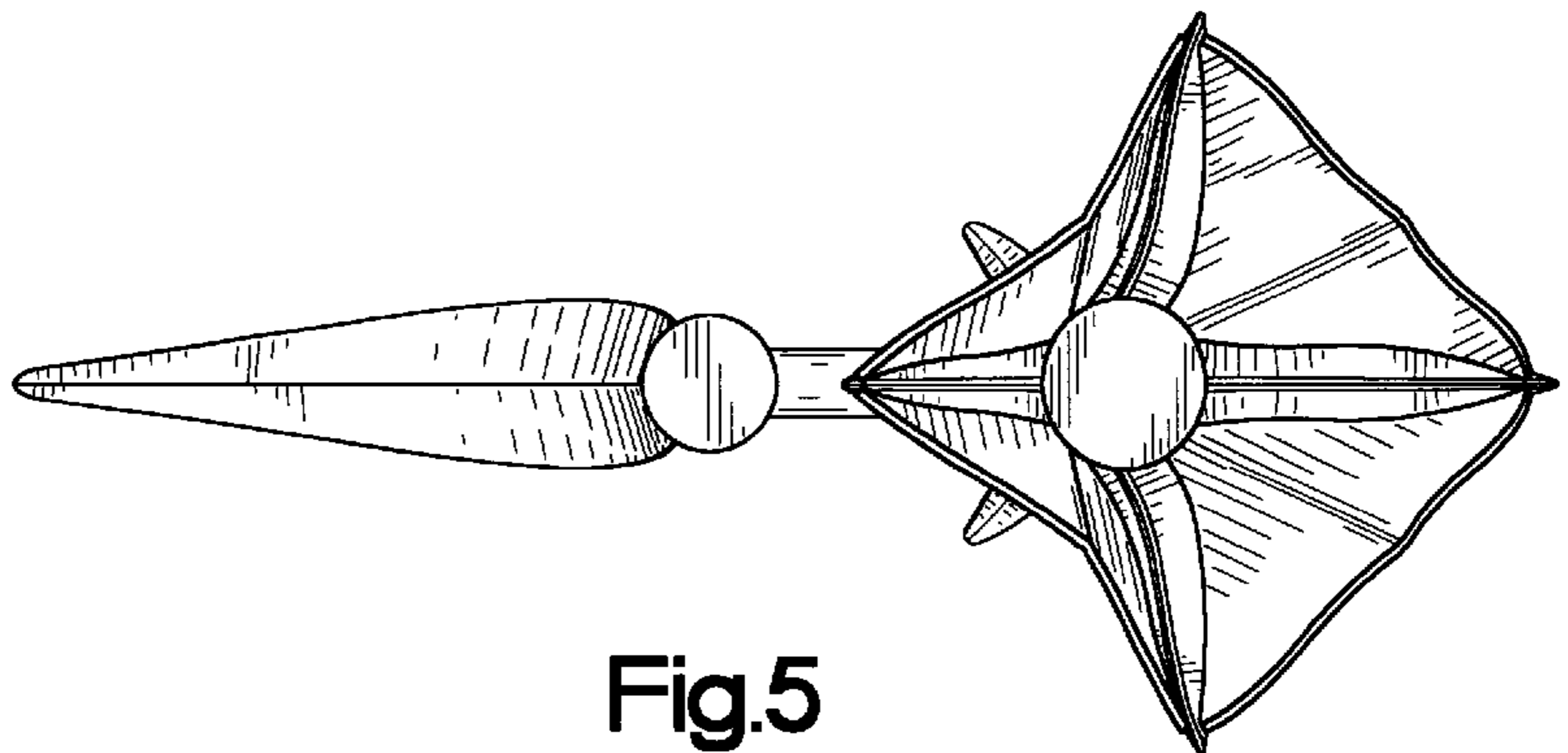


Fig.5

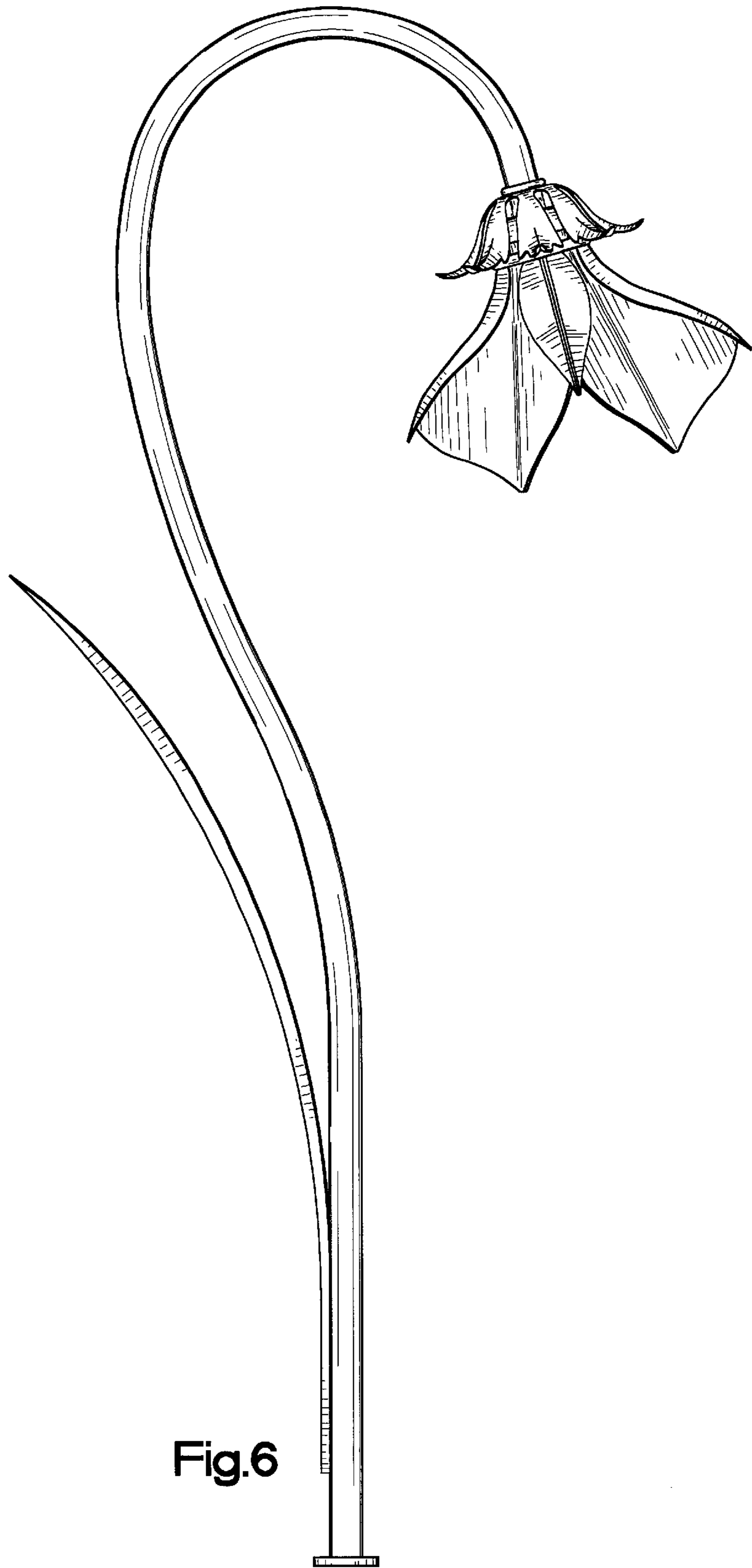


Fig.6