



US00D43999S

(12) **United States Design Patent**
Stekelenburg

(10) **Patent No.:** **US D439,999 S**

(45) **Date of Patent:** **** Apr. 3, 2001**

(54) **POWER STAKE WITH LAMPHOLDERS**

(75) Inventor: **Albert Stekelenburg**, Taipei (TW)

(73) Assignee: **All-Line Inc.**, Taipei (TW)

(**) Term: **14 Years**

(21) Appl. No.: **29/122,951**

(22) Filed: **May 8, 2000**

(51) **LOC (7) Cl.** **26-05**

(52) **U.S. Cl.** **D26/65; D26/69**

(58) **Field of Search** **D26/69, 60-65,**
D26/67, 68, 71; 362/431, 269, 271, 272,
275, 281, 282, 285, 287, 418, 419, 427

(56) **References Cited**

U.S. PATENT DOCUMENTS

- 4,827,389 * 5/1989 Crum 362/418 X
- 5,649,760 * 7/1997 Beadle 362/431 X
- 5,941,630 * 8/1999 Finke et al. 362/387

OTHER PUBLICATIONS

Home Lighting and Accessories, Jan. 1995, p. 100, landscape lighting, spotlight # F4830.*

* cited by examiner

Primary Examiner—Susan J. Lucas

(74) *Attorney, Agent, or Firm*—Dougherty & Troxell

(57) **CLAIM**

The ornamental design for a power stake with lampholders, as shown and described.

DESCRIPTION

FIG. 1 is a front view of a power stake with lampholders showing the preferred embodiment of my new design;

FIG. 2 is a right side elevational view thereof;

FIG. 3 is a left side elevational view thereof;

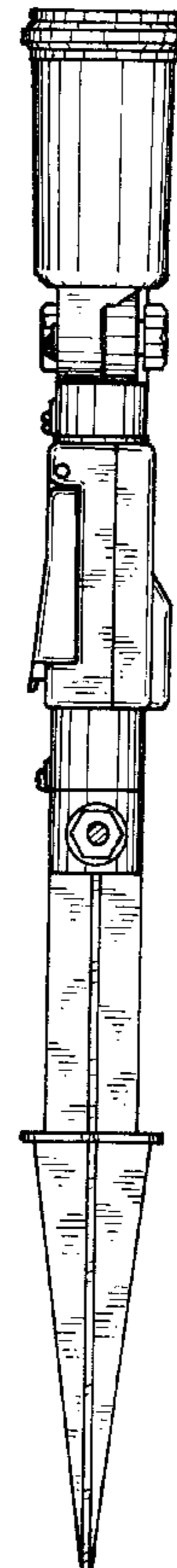
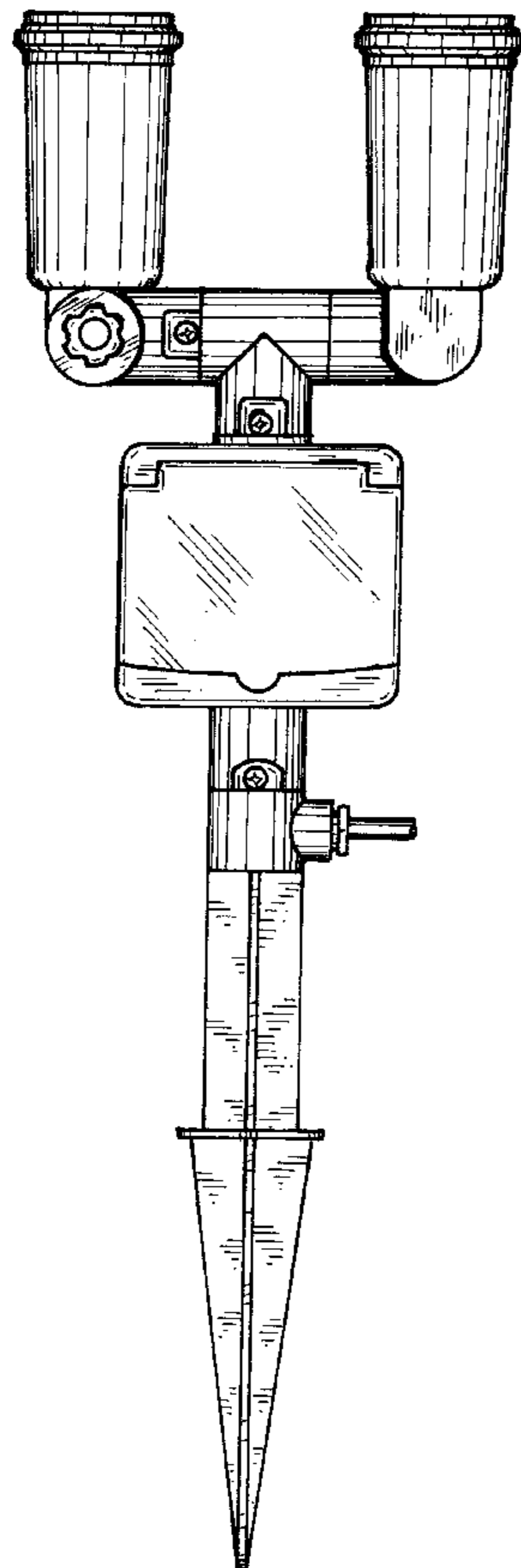
FIG. 4 is a rear view thereof;

FIG. 5 is a top elevational view thereof;

FIG. 6 is a bottom view thereof; and,

FIG. 7 is a front view of the power stake with the front cover removed to show the interior structure.

1 Claim, 3 Drawing Sheets



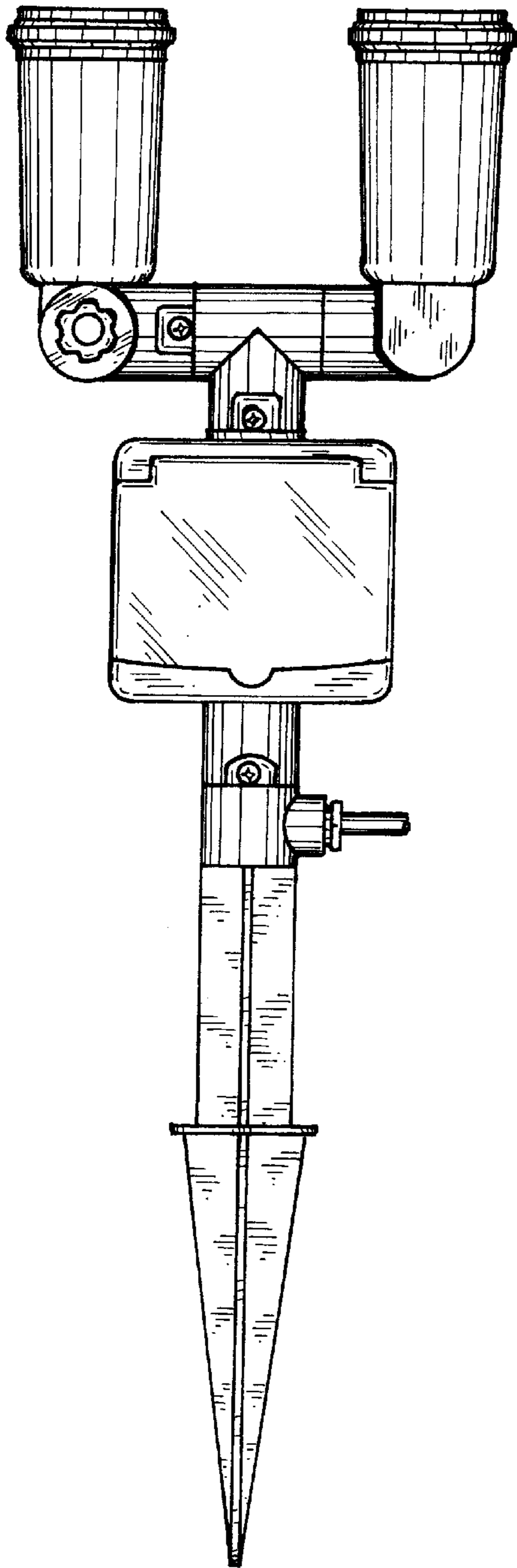


FIG. 1

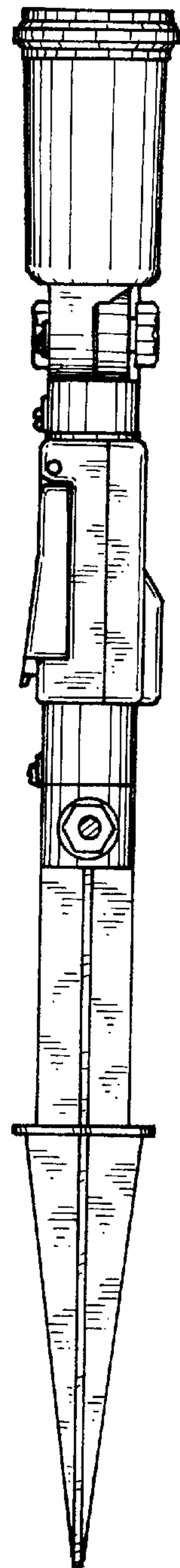


FIG. 2

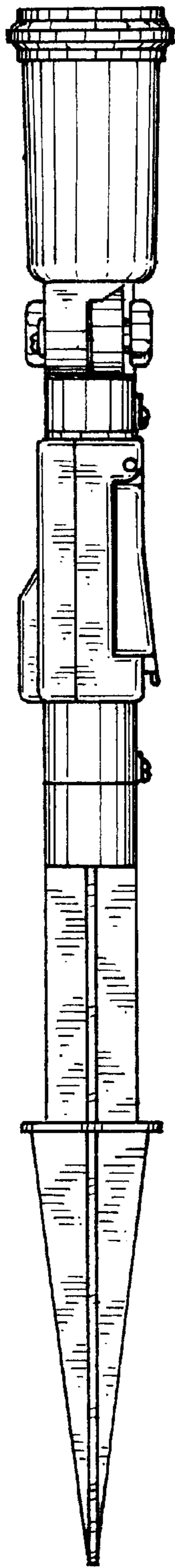


FIG. 3

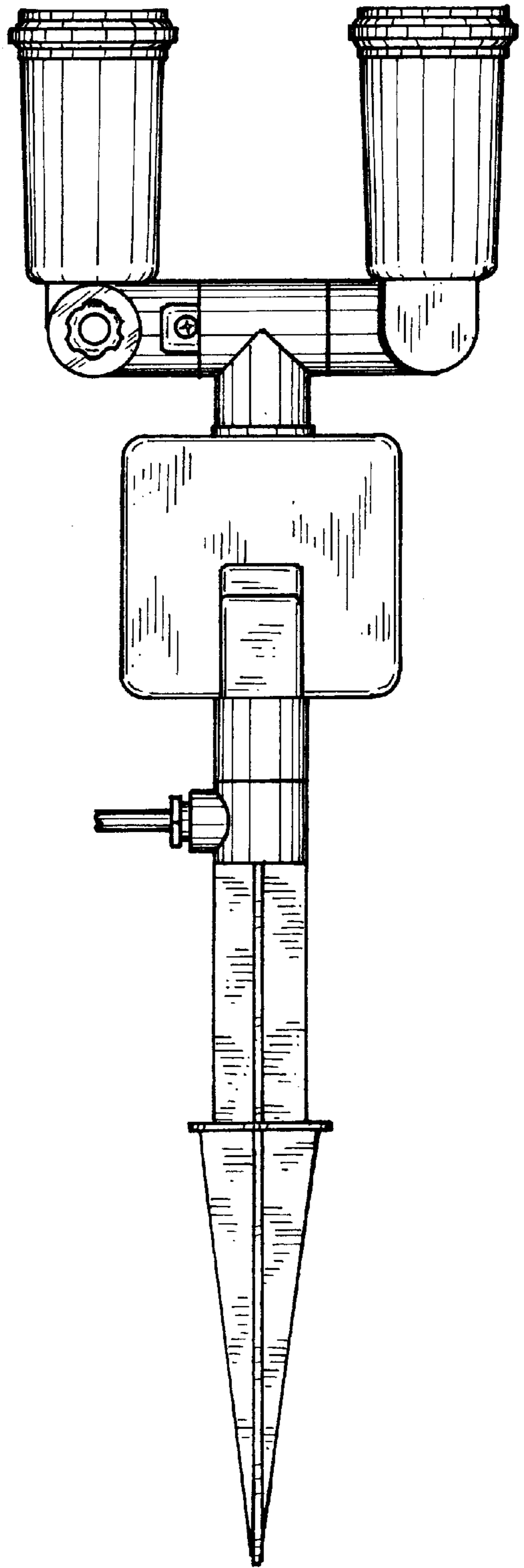


FIG. 4

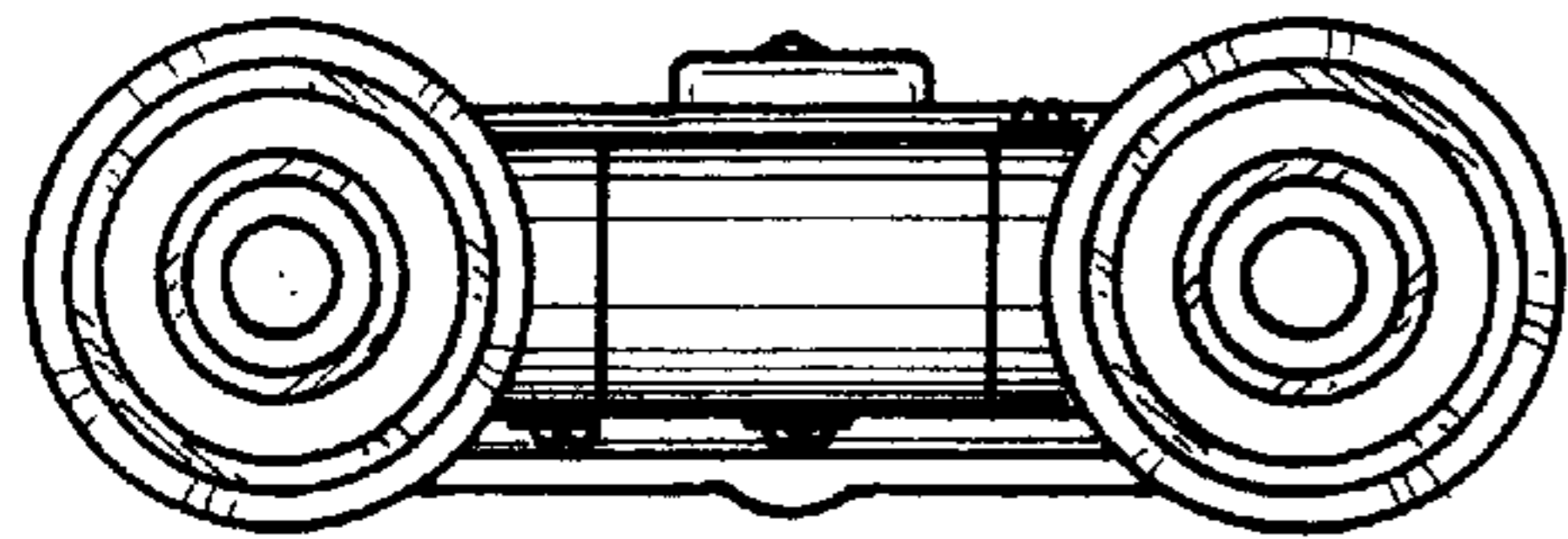


FIG. 5

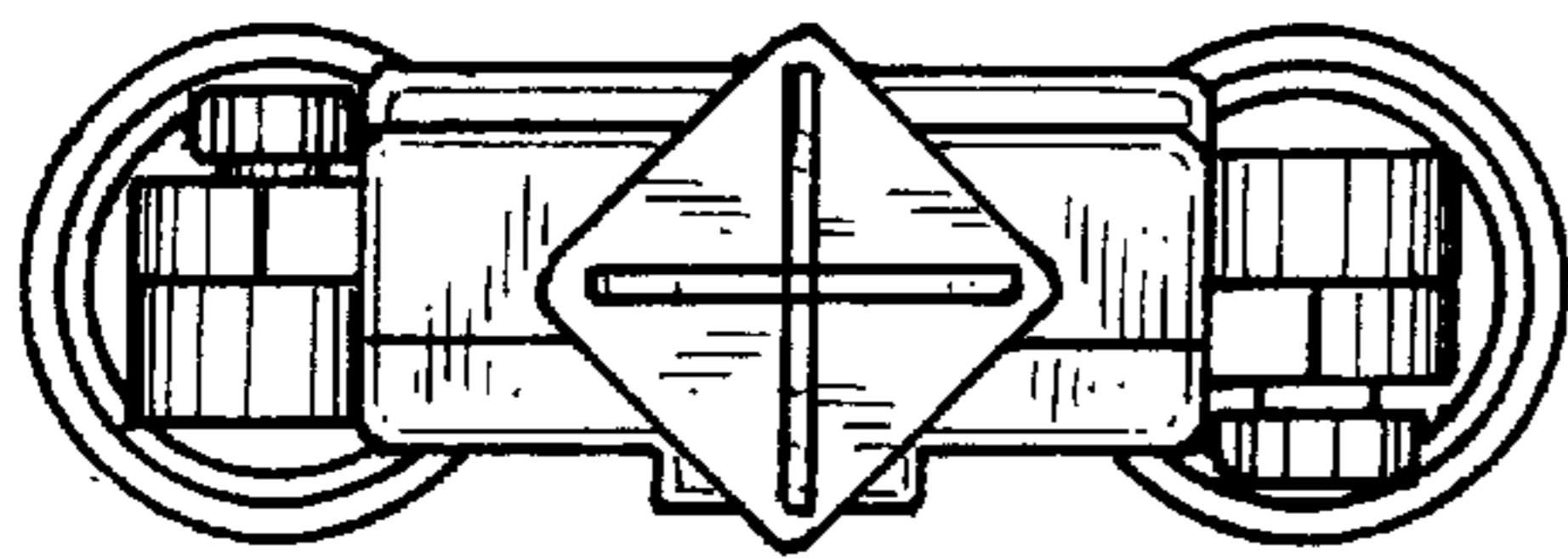


FIG. 6

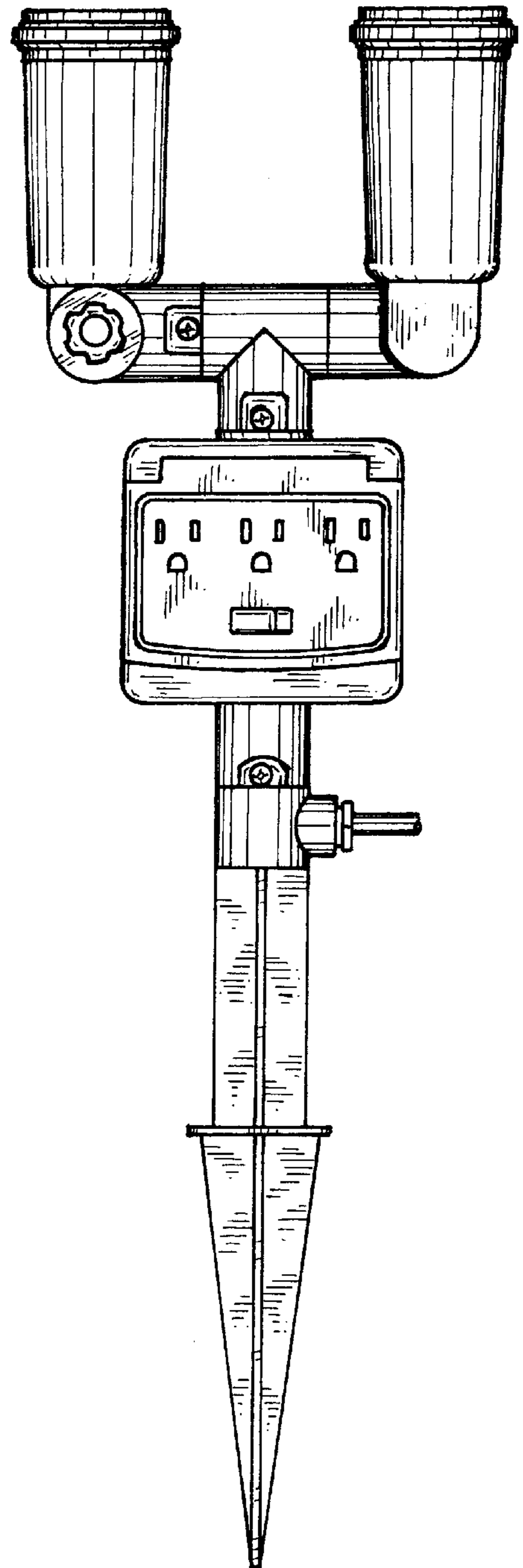


FIG. 7