



US00D43998S

(12) **United States Design Patent**
Lin

(10) **Patent No.:** **US D439,998 S**

(45) **Date of Patent:** **** Apr. 3, 2001**

(54) **ELECTRICAL RECEPTACLE ASSEMBLY
FOR ADJUSTABLE TRACKLIGHT**

(76) **Inventor:** **Shan Chaing Lin**, No. 2, Lane 111, Ta
Chu Road, Lu Chu Hsiang, Taoyuan
Hsien (TW)

(**) **Term:** **14 Years**

(21) **Appl. No.:** **29/107,621**

(22) **Filed:** **Jul. 7, 1999**

(51) **LOC (7) Cl.** **26-05**

(52) **U.S. Cl.** **D26/63**

(58) **Field of Search** D25/60-66; 362/267,
362/269, 271, 272, 282, 287, 418, 419,
427

(56) **References Cited**

U.S. PATENT DOCUMENTS

D. 360,959 * 8/1995 Donato D26/63

OTHER PUBLICATIONS

Home Lighting and Accessories, Feb. 1998, p. 17, track
light, left side.*

* cited by examiner

Primary Examiner—Susan J. Lucas

(74) *Attorney, Agent, or Firm*—Dougherty & Troxell

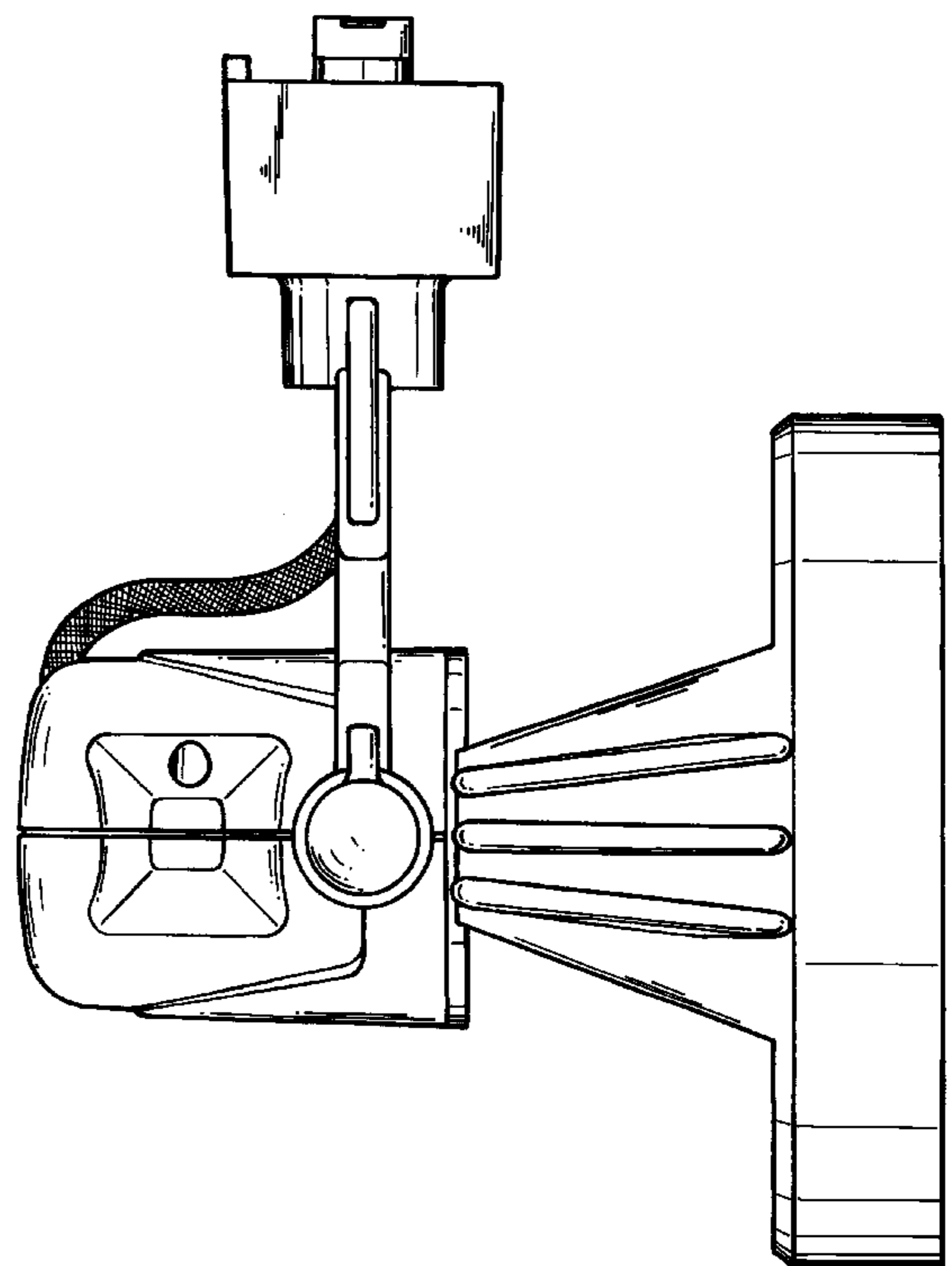
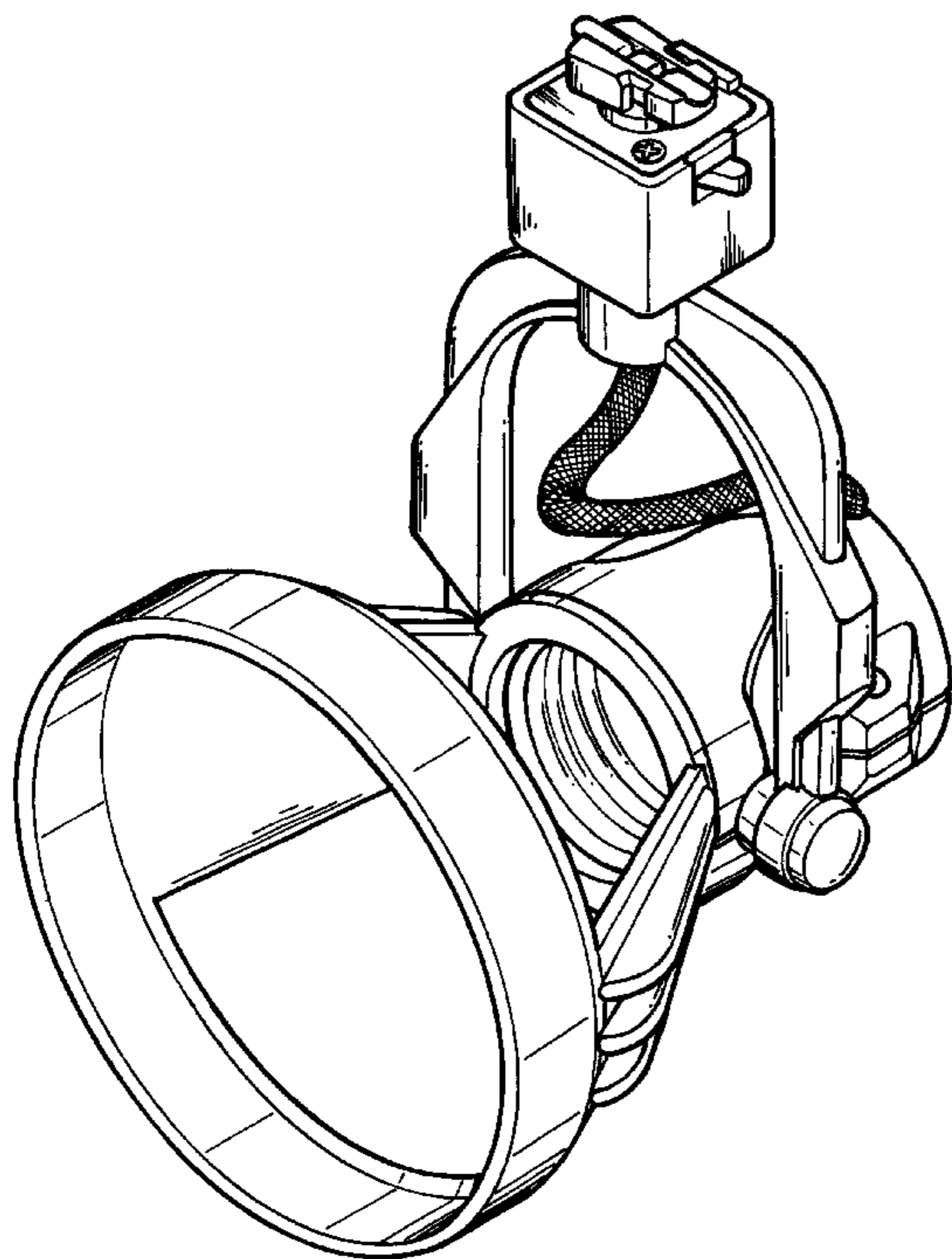
(57) **CLAIM**

The ornamental design for an electrical receptacle assembly
for adjustable tracklight, as shown.

DESCRIPTION

FIG. 1 is a front perspective view of an electrical receptacle
assembly for adjustable tracklight showing my new design;
FIG. 2 is a front elevational view thereof;
FIG. 3 is a rear elevational view thereof;
FIG. 4 is a left side elevational view thereof;
FIG. 5 is a right side elevational view thereof;
FIG. 6 is a top plan view thereof; and,
FIG. 7 is a bottom plan view thereof.

1 Claim, 7 Drawing Sheets



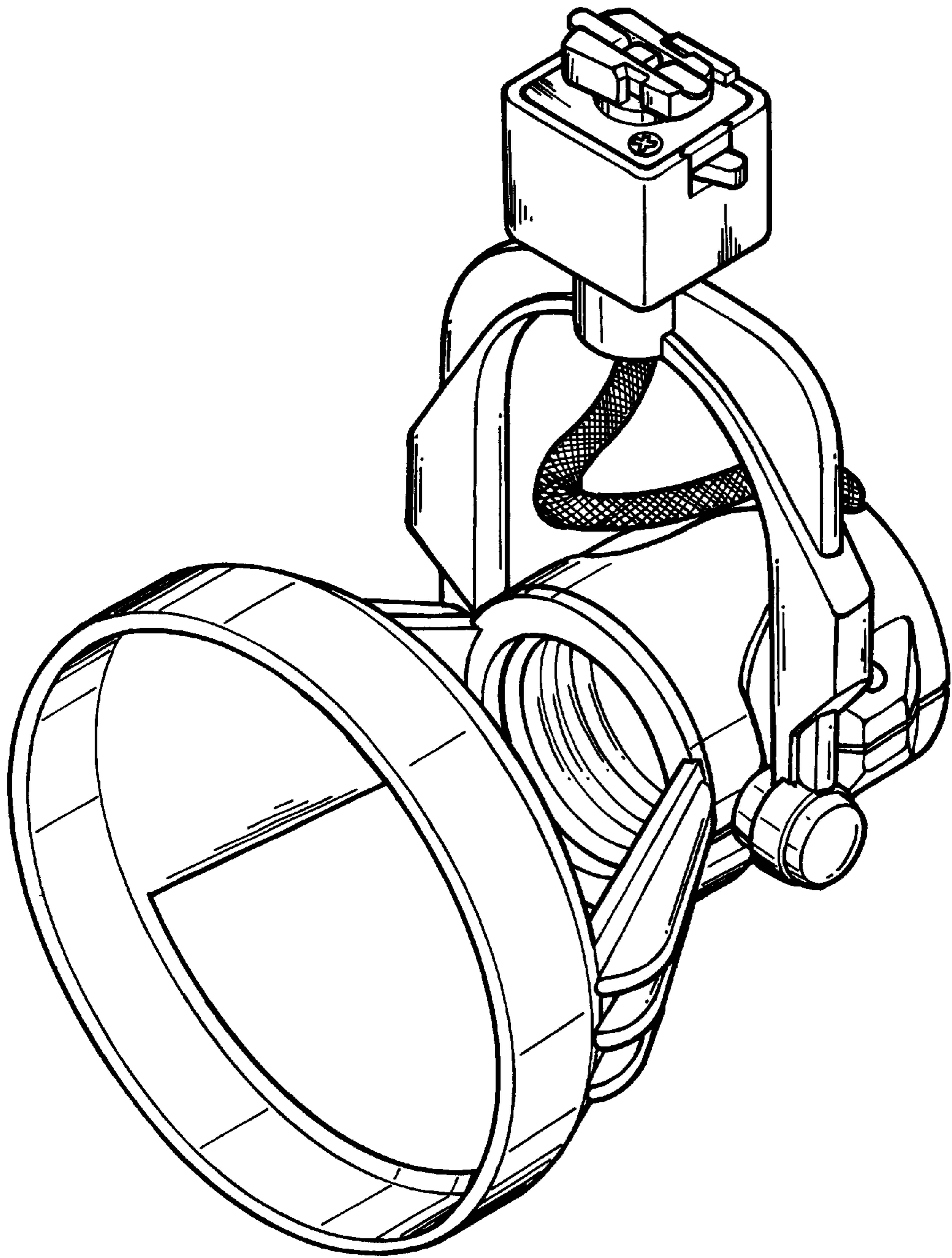


FIG . 1

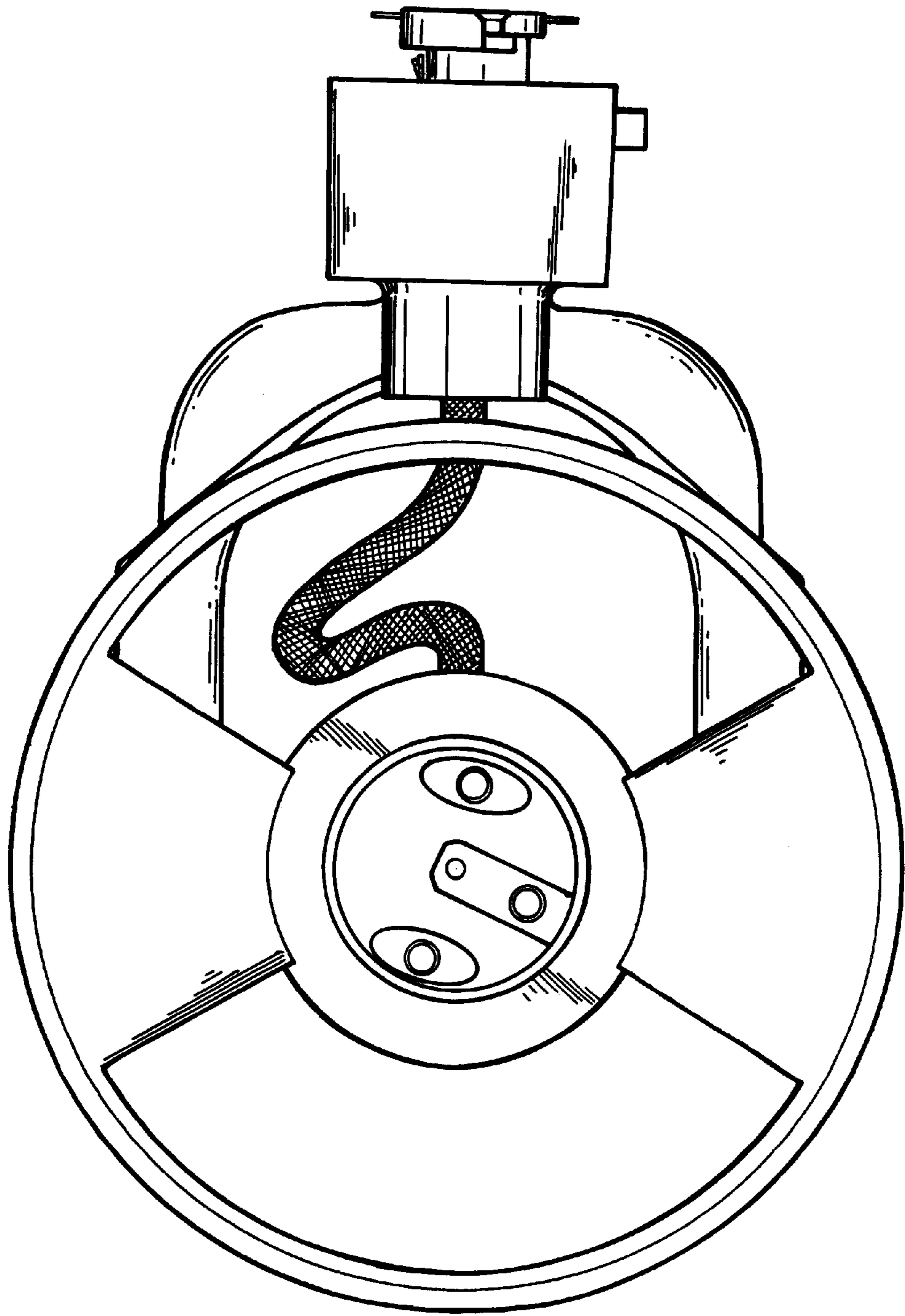


FIG. 2

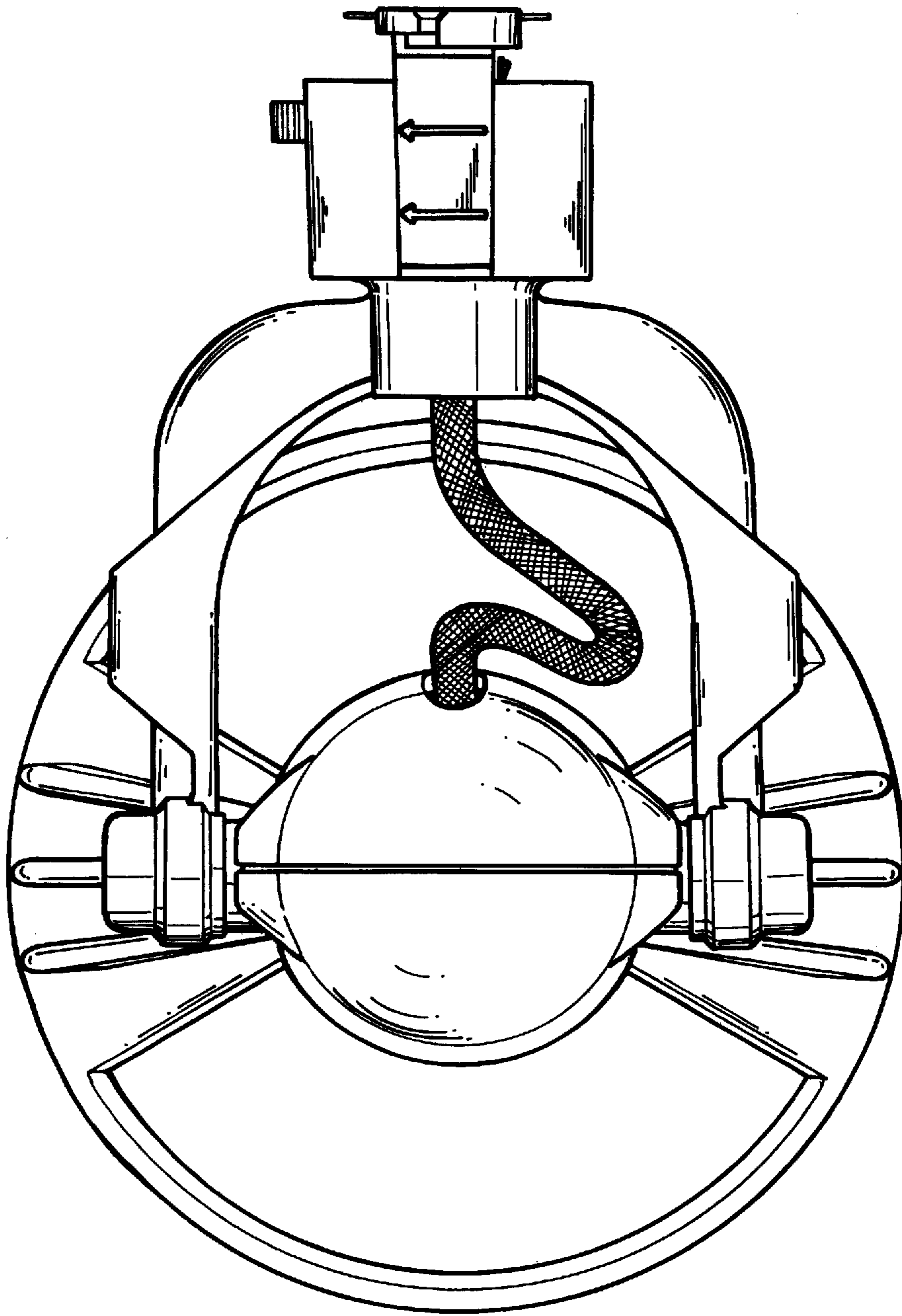


FIG. 3

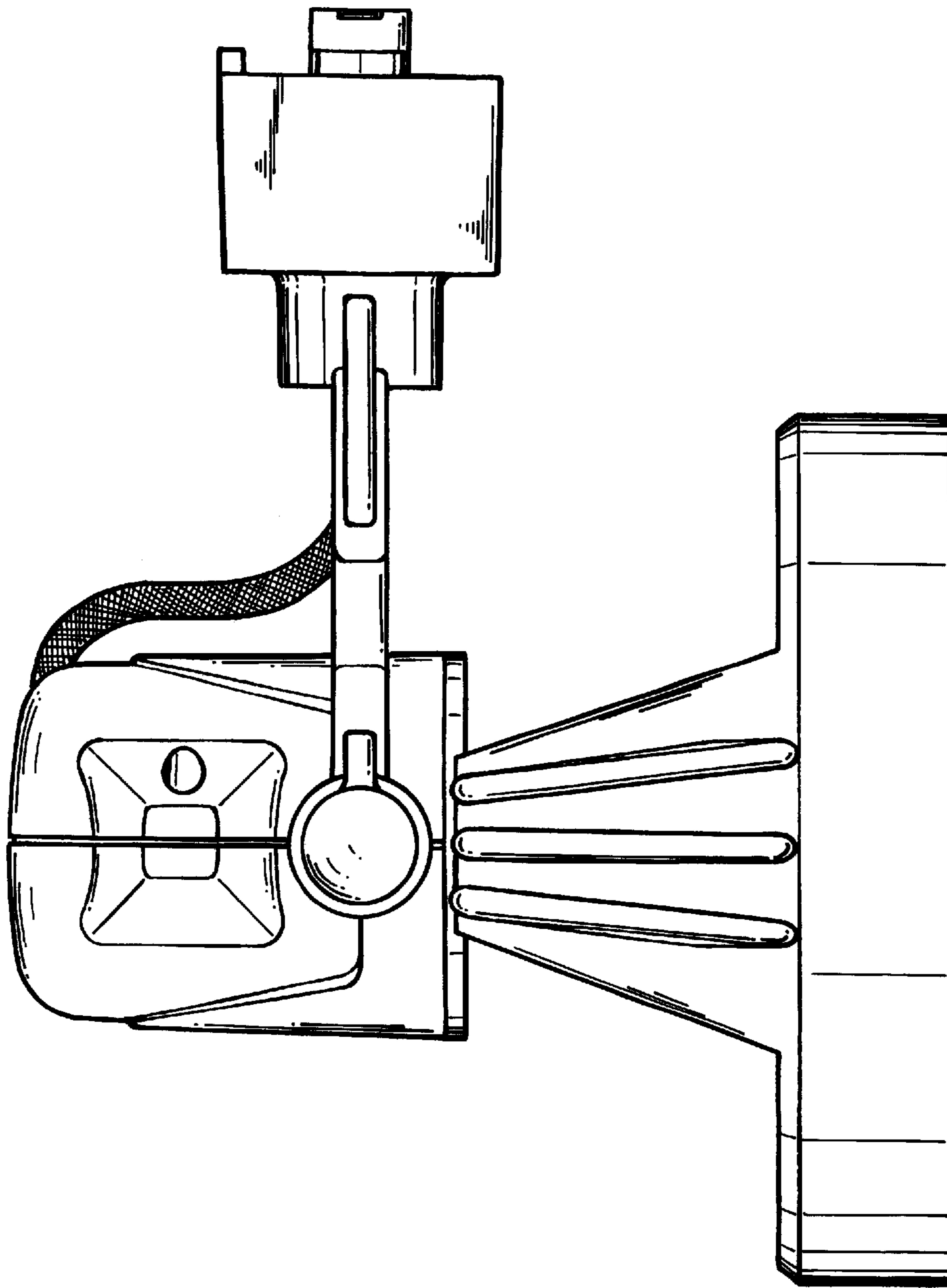


FIG . 4

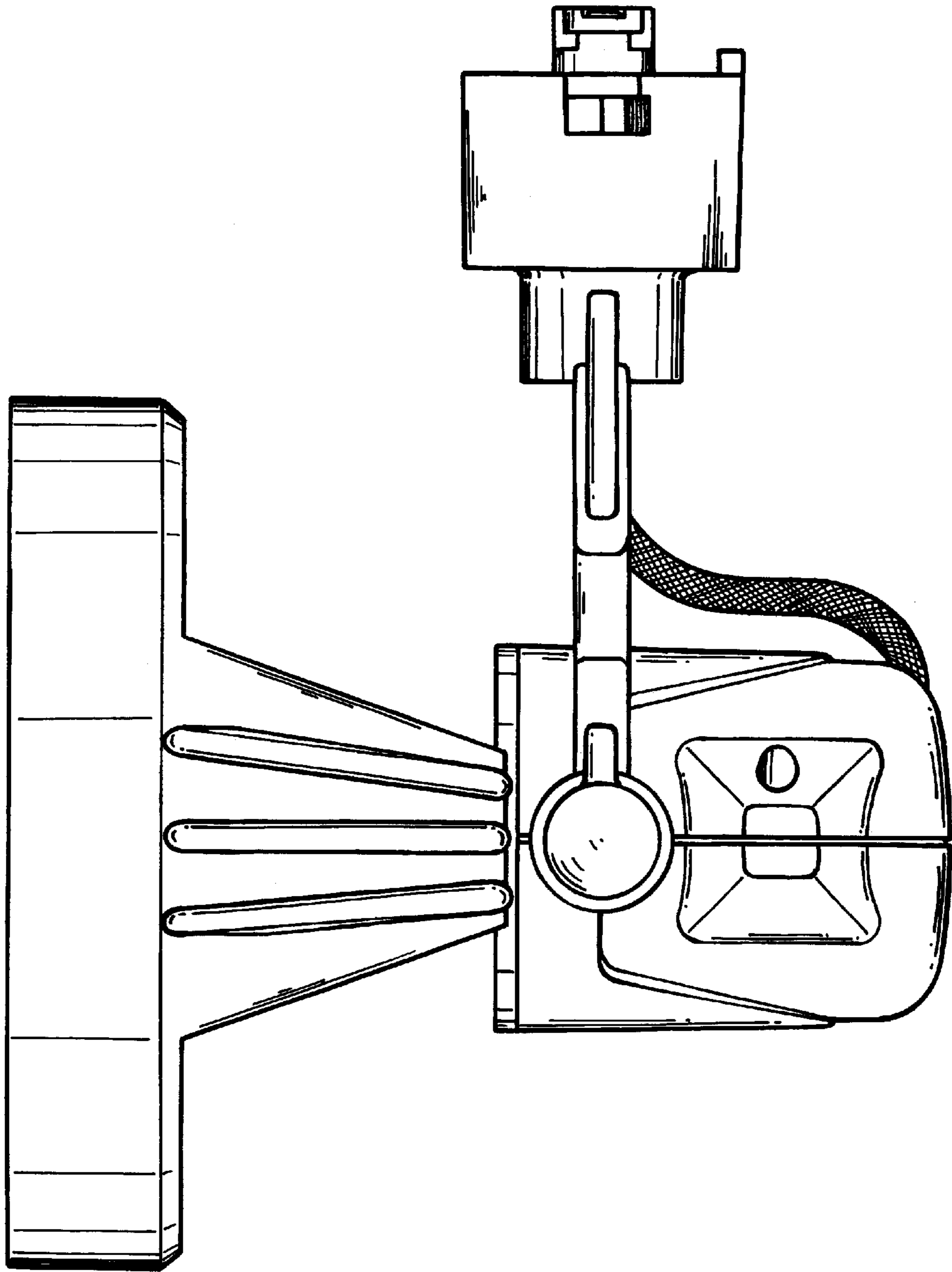


FIG. 5

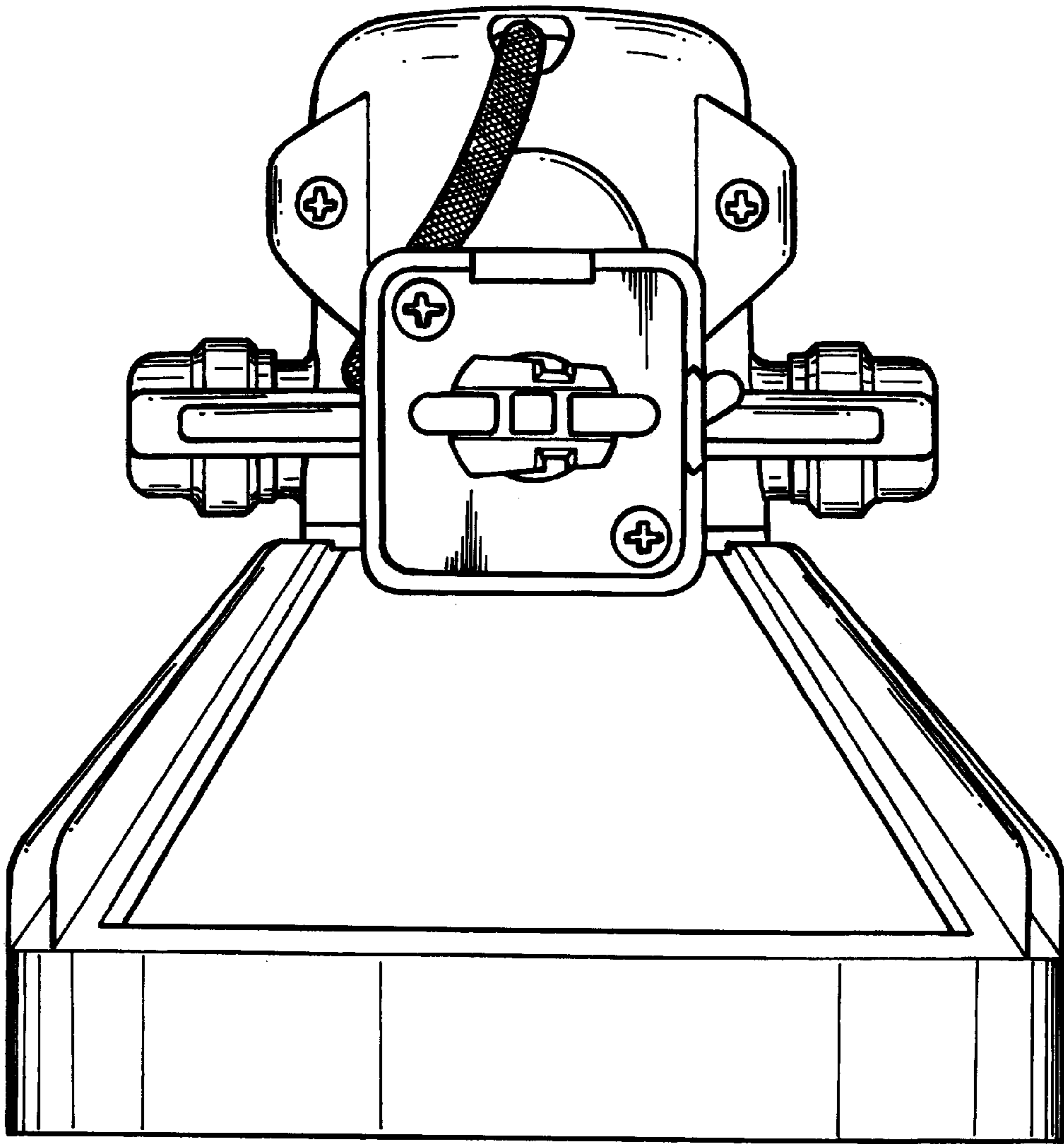


FIG. 6

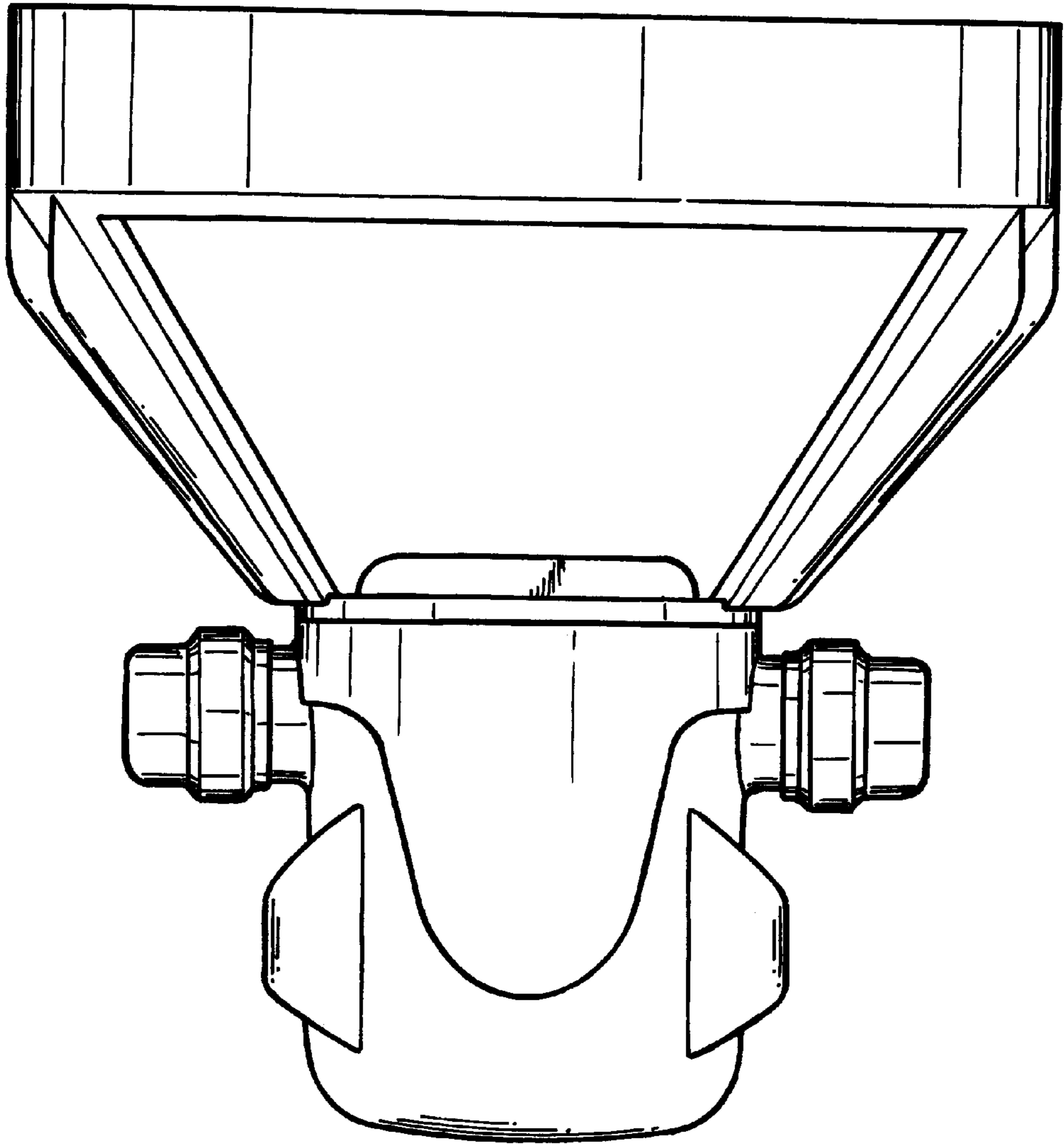


FIG. 7