



US00D43995S

(12) **United States Design Patent**  
**Nakazawa et al.**

(10) **Patent No.:** **US D439,995 S**

(45) **Date of Patent:** **\*\* Apr. 3, 2001**

(54) **PORTION OF A VEHICLE REAR LIGHT ASSEMBLY**

D. 406,912 \* 3/1999 Sacco et al. .... D26/28  
D. 426,905 \* 6/2000 Cook et al. .... D26/28

(75) Inventors: **Tetsuya Nakazawa**, Rancho Palos Verdes; **Jesse Blue Lessard**, Redondo Beach, both of CA (US)

\* cited by examiner

*Primary Examiner*—Marcus A. Jackson  
(74) *Attorney, Agent, or Firm*—Banner & Witcoff, Ltd.

(73) Assignee: **Honda Giken Kogyo Kabushiki Kaisha**, Tokyo (JP)

(57) **CLAIM**

(\*\*) Term: **14 Years**

The ornamental design for a portion of a vehicle rear light assembly, as shown and described.

(21) Appl. No.: **29/127,280**

**DESCRIPTION**

(22) Filed: **Aug. 4, 2000**

FIG. 1 is a perspective view of a portion of a right-side vehicle rear light assembly showing our new design;

(51) **LOC (7) Cl.** ..... **26-04**

FIG. 2 is an elevational view thereof;

(52) **U.S. Cl.** ..... **D26/28**

FIG. 3 is a perspective view of a portion of a left-side vehicle rear light assembly showing our new design; and,

(58) **Field of Search** ..... D26/28–36; 362/61, 362/80, 83.4, 267, 269, 278, 275, 327, 328, 329, 330–340

FIG. 4 is an elevational view thereof.

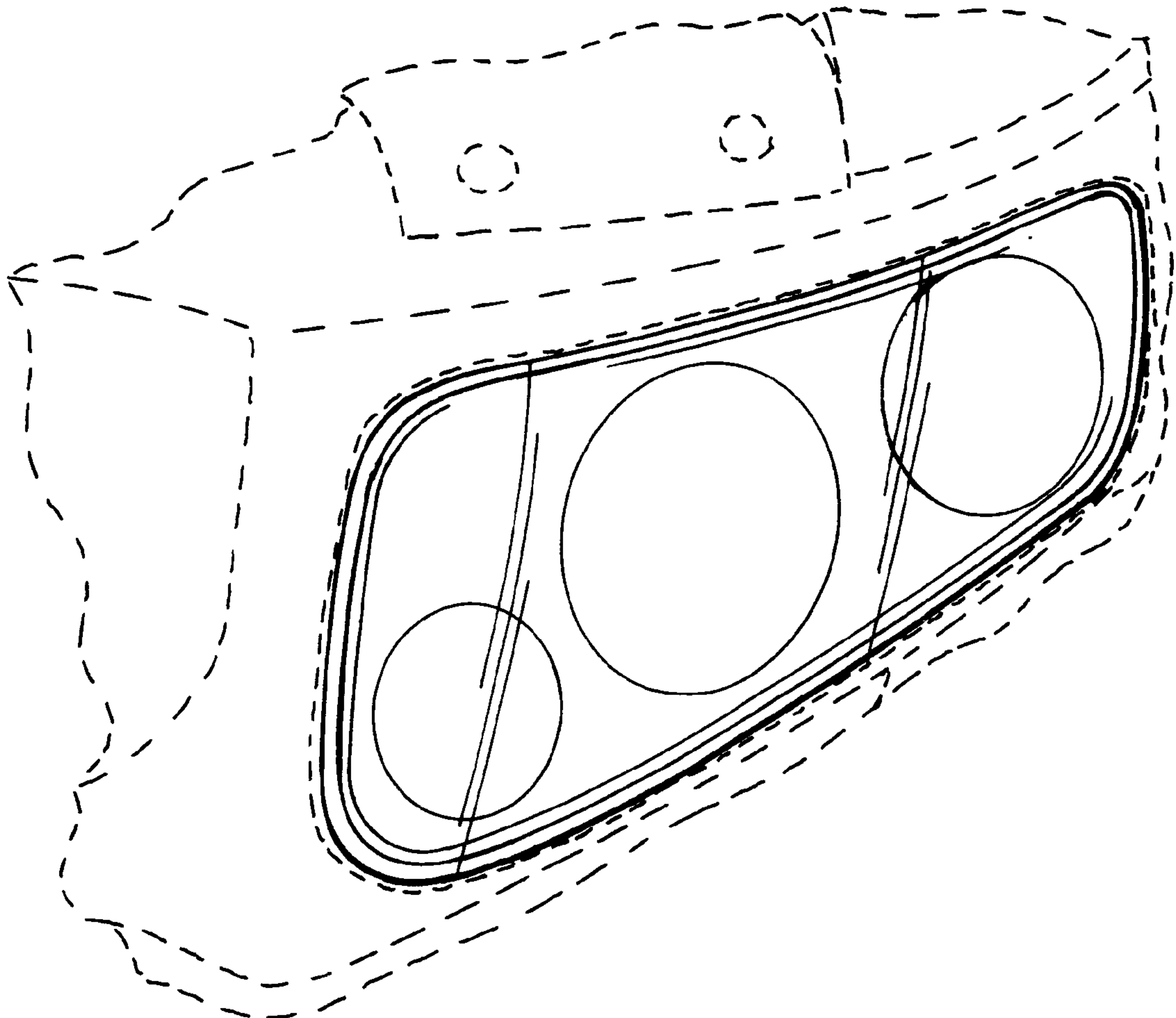
The broken line showing of the remainder of the vehicle is for illustrative purposes only and forms no part of the claimed design.

(56) **References Cited**

**U.S. PATENT DOCUMENTS**

D. 400,273 \* 10/1998 Manske et al. .... D26/28

**1 Claim, 2 Drawing Sheets**



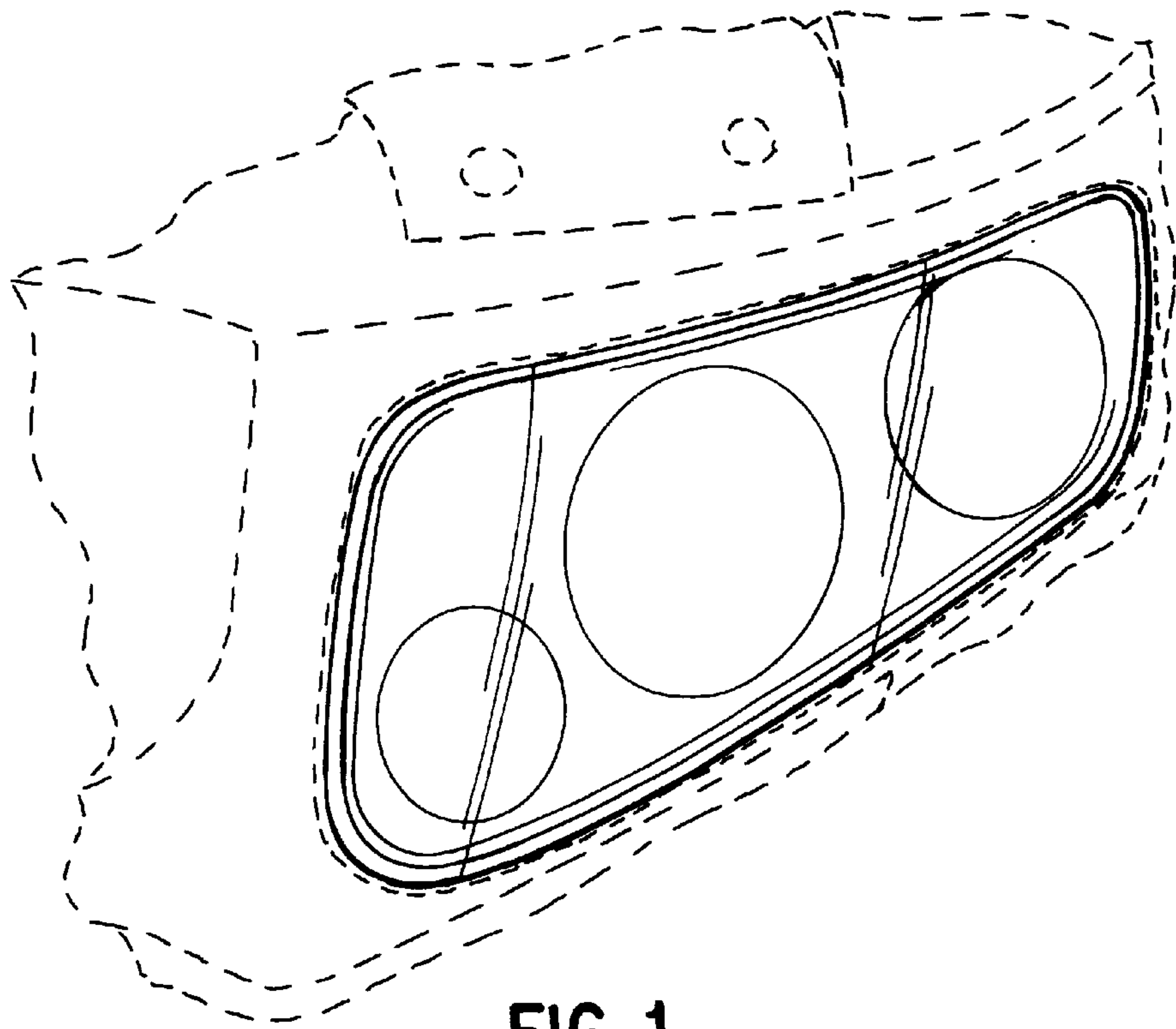


FIG. 1

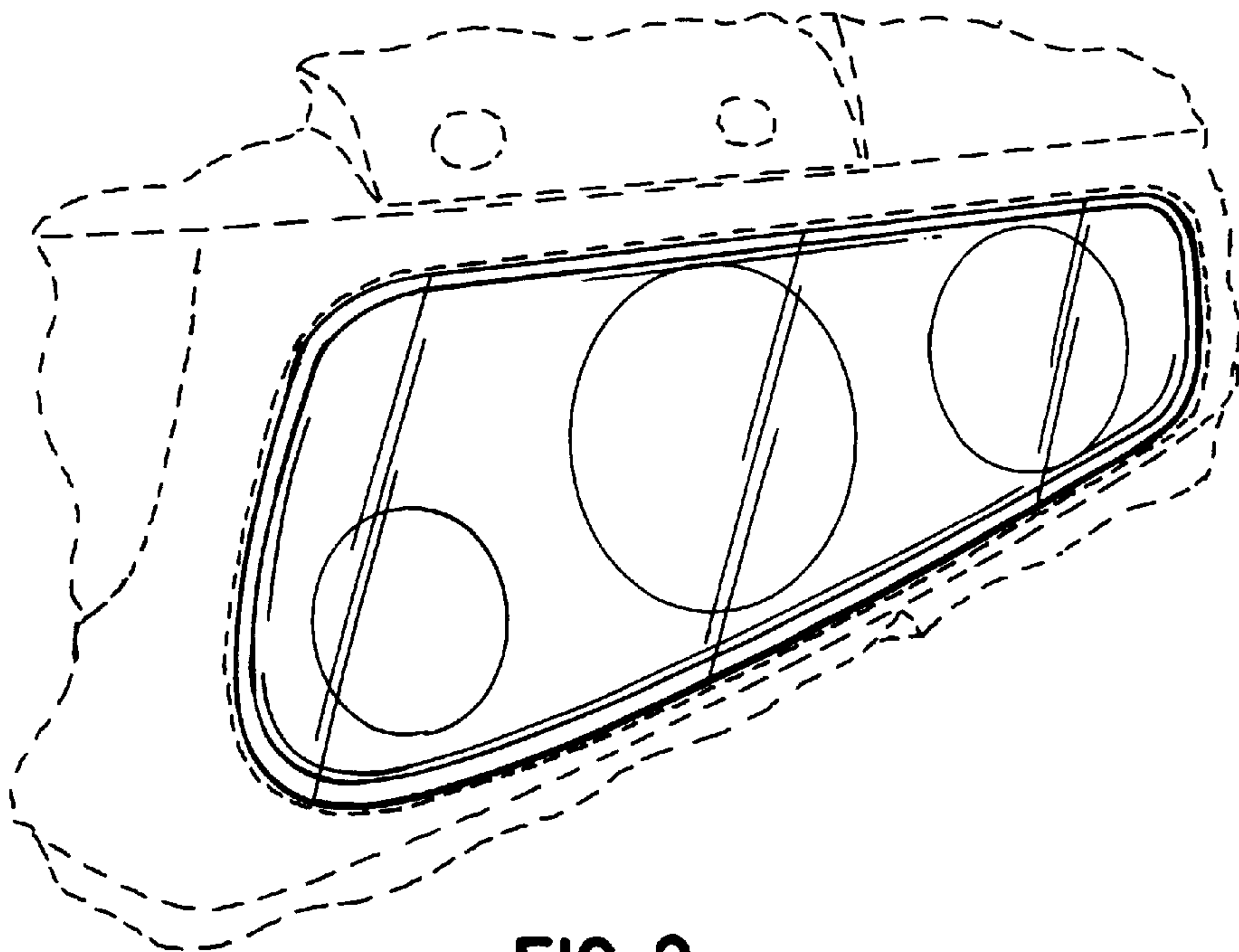


FIG. 2

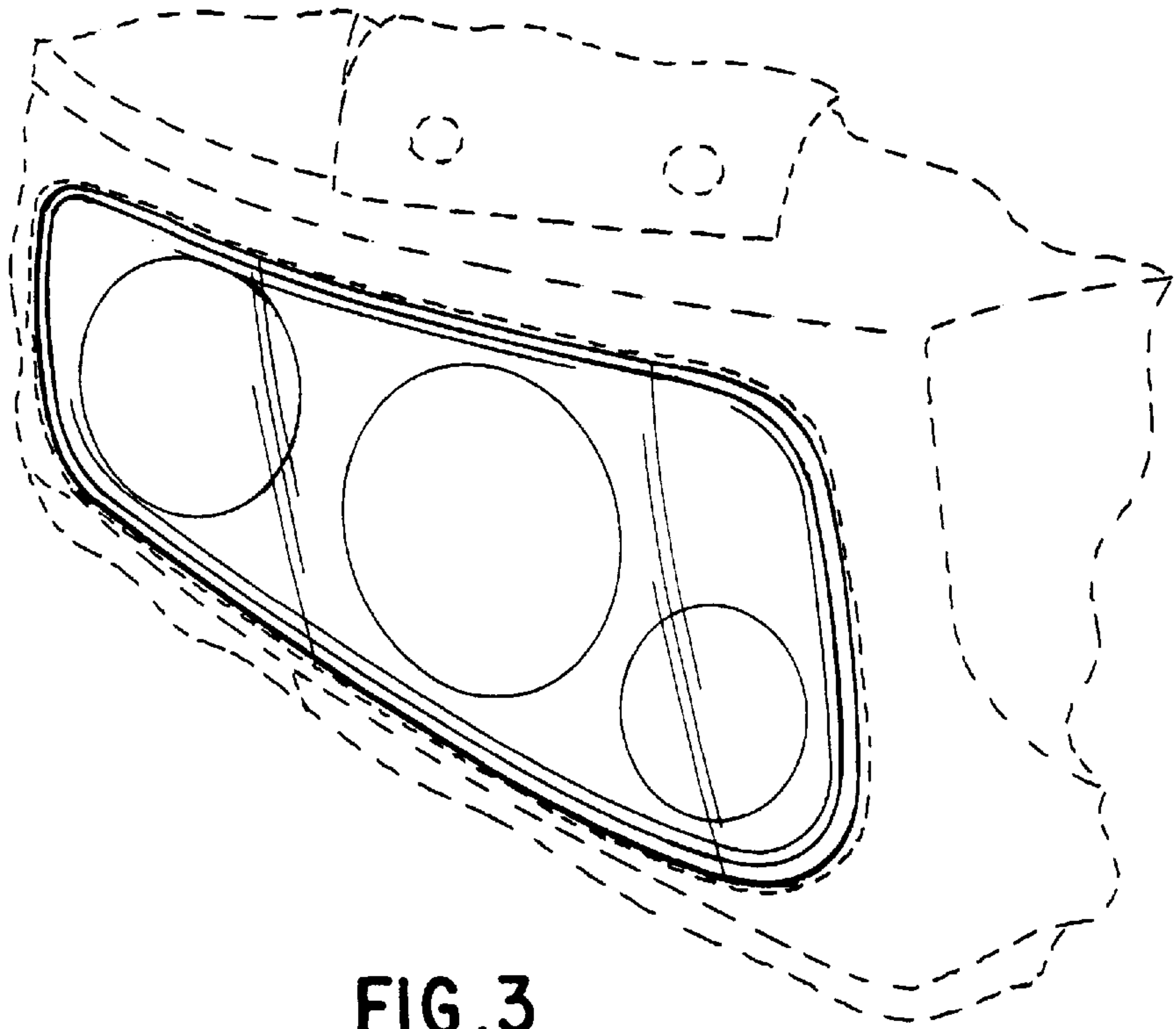


FIG. 3

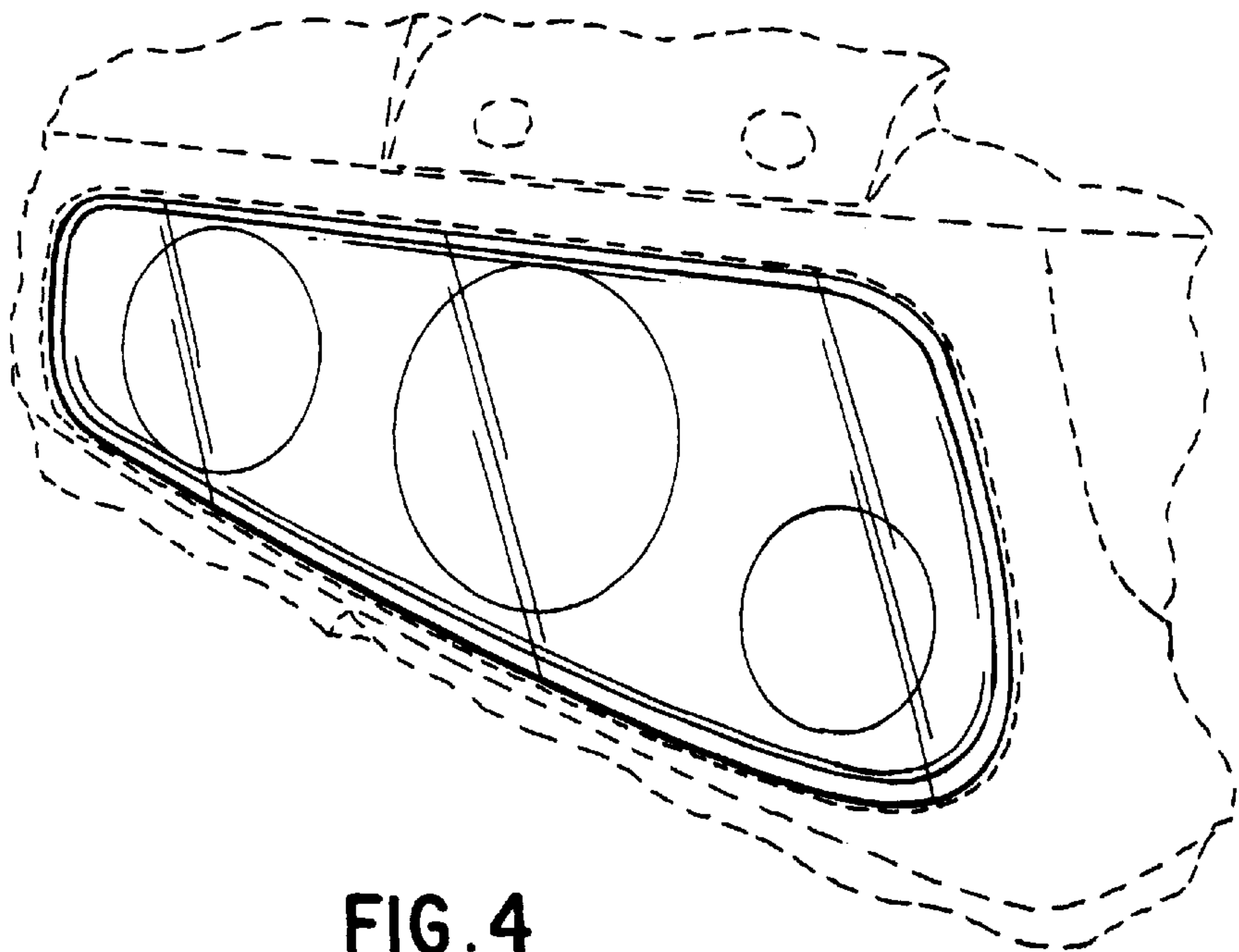


FIG. 4