



US00D43994S

(12) **United States Design Patent**  
**Huang**

(10) **Patent No.:** **US D439,994 S**

(45) **Date of Patent:** **\*\* Apr. 3, 2001**

(54) **DOUBLE-RING PLATE FOR VEHICLE  
MARKER LIGHTS**

(75) **Inventor:** **Nan Huang Huang**, Rancho Palos  
Verdes, CA (US)

(73) **Assignee:** **Grand General Accessories  
Manufacturing Inc.**, Compton, CA  
(US)

(\*\*) **Term:** **14 Years**

(21) **Appl. No.:** **29/104,129**

(22) **Filed:** **Apr. 28, 1999**

(51) **LOC (7) Cl.** ..... **26-04**

(52) **U.S. Cl.** ..... **D26/28**

(58) **Field of Search** ..... D26/28-36; 362/61,  
362/80, 80.1, 81, 82, 83, 83.2, 83.3, 227,  
235, 236, 240, 243, 362

(56) **References Cited**

**U.S. PATENT DOCUMENTS**

D. 385,370 \* 10/1997 Moore ..... D26/28

\* cited by examiner

*Primary Examiner*—Marcus A. Jackson

(74) *Attorney, Agent, or Firm*—Thomas I. Rozsa; Tony D.  
Chen; Jerry Fong

(57) **CLAIM**

The ornamental design for a double-ring plate for vehicle  
marker lights, as shown and described.

**DESCRIPTION**

FIG. 1 is a perspective view of the double-ring plate for  
vehicle marker lights, showing my new design;

FIG. 2 is a front elevational view;

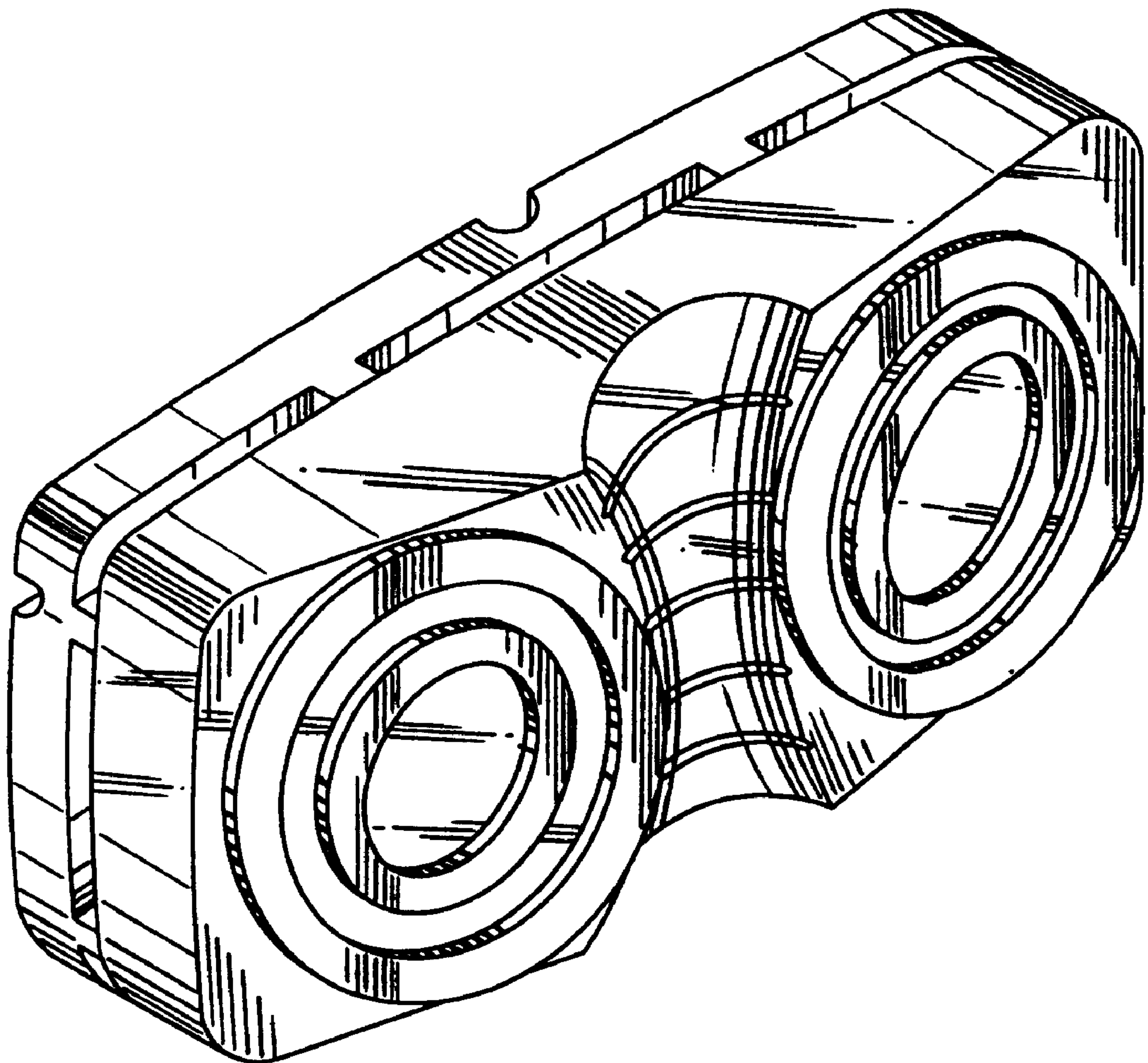
FIG. 3 is a rear elevational view;

FIG. 4 is a side elevational view, the other side being  
identical;

FIG. 5 is a top plan view; and,

FIG. 6 is a bottom plan view.

**1 Claim, 2 Drawing Sheets**



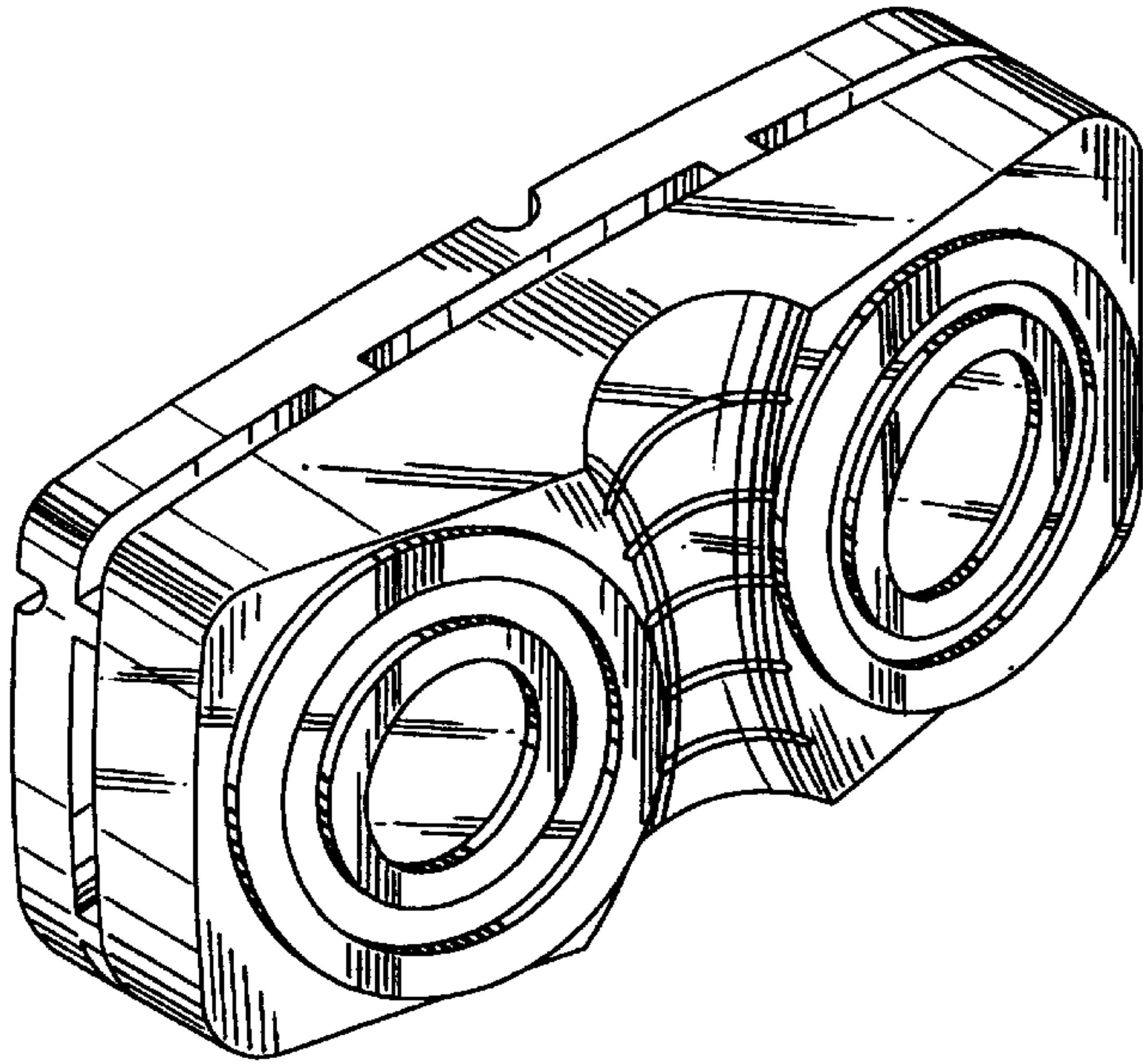


FIG.1

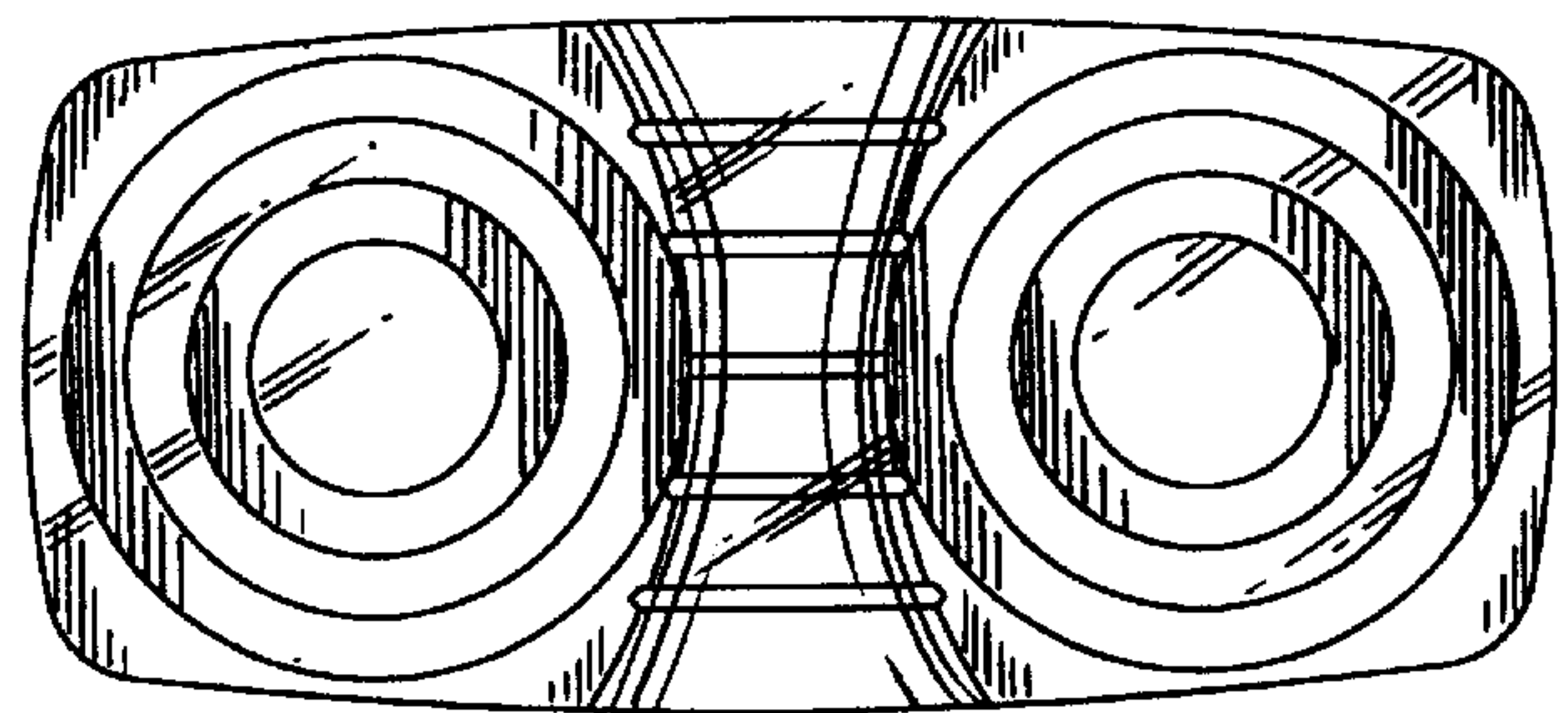


FIG.2

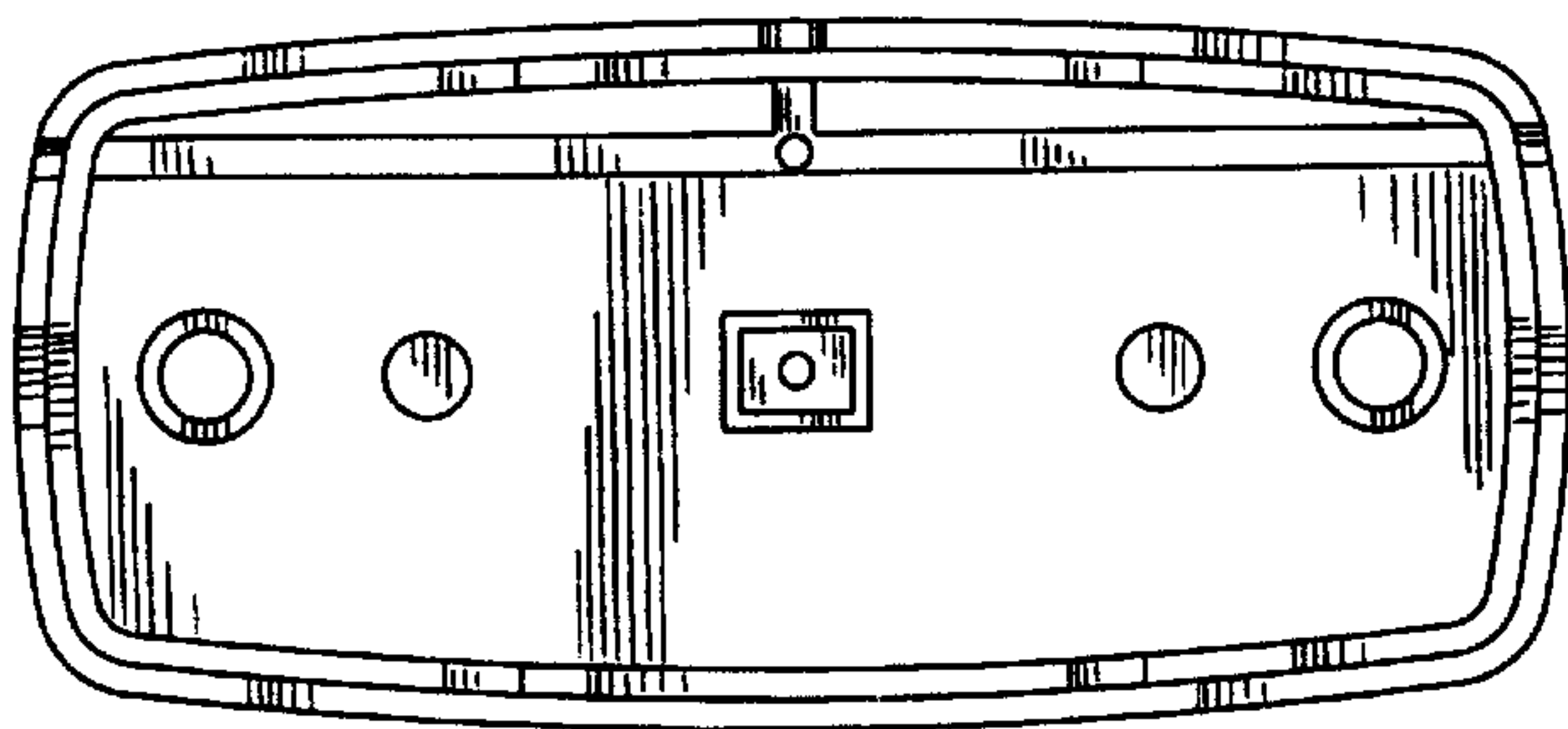


FIG.3

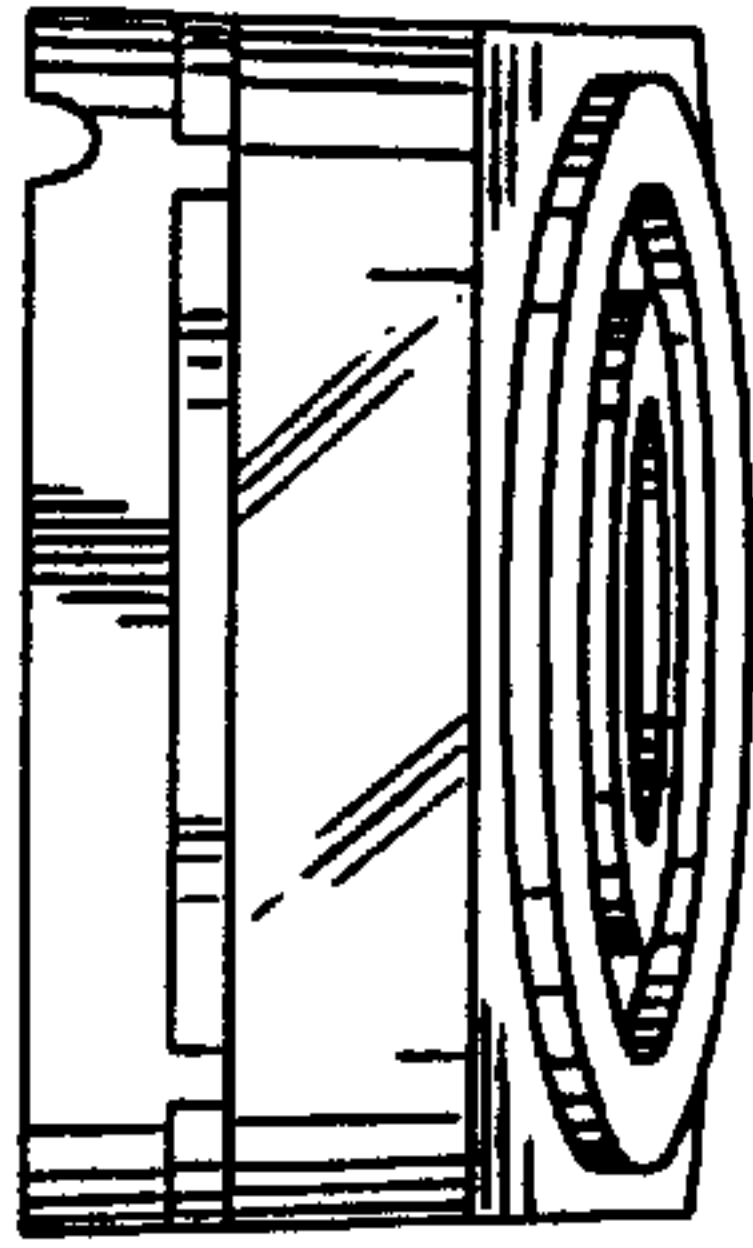


FIG. 4

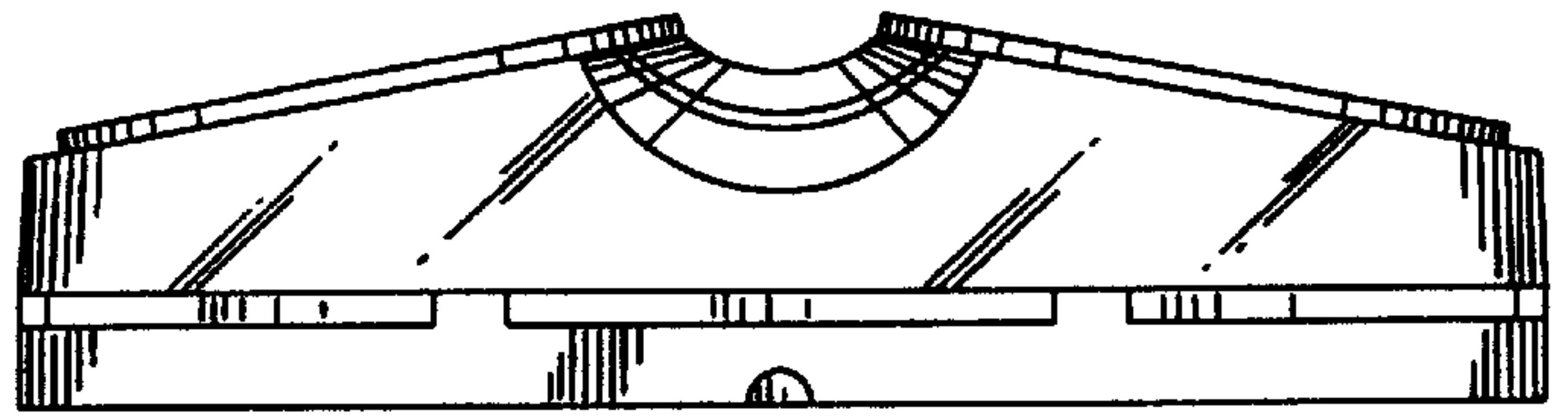


FIG. 5

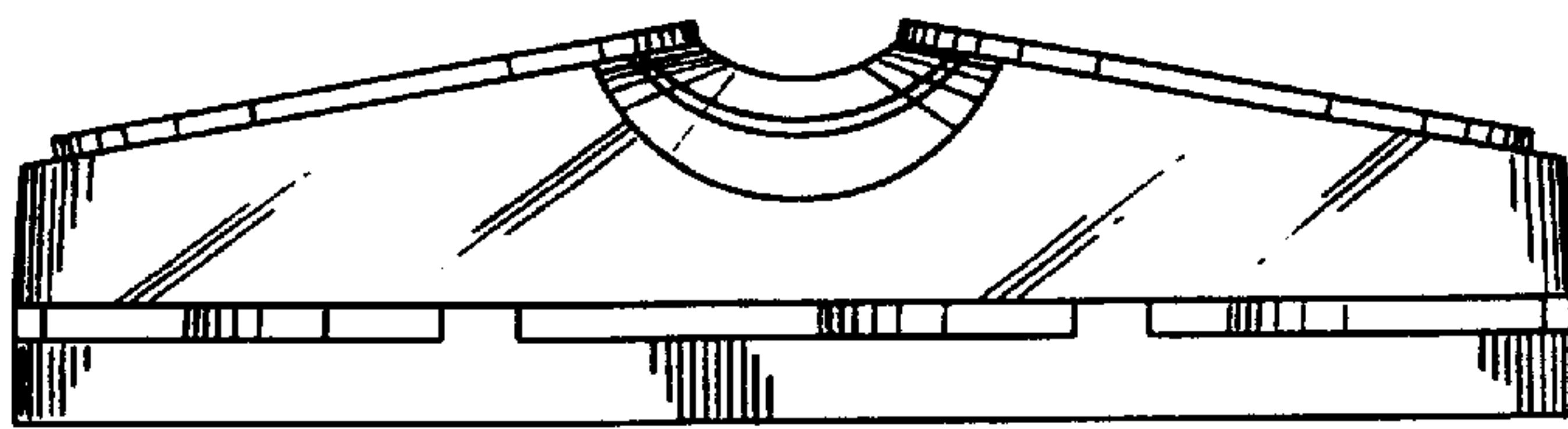


FIG. 6