



US00D439984S

(12) **United States Design Patent**
Thach

(10) **Patent No.:** **US D439,984 S**

(45) **Date of Patent:** **** Apr. 3, 2001**

(54) **VIBRATOR HEAD**

3,424,150 * 1/1969 Meranto 601/78 X
3,441,016 * 4/1969 Kanbar 601/78 X

(76) Inventor: **Anh N. Thach**, 4041 Lockbourne Rd.,
Columbus, OH (US) 43207

* cited by examiner

(**) Term: **14 Years**

Primary Examiner—Stella Reid

(74) *Attorney, Agent, or Firm*—Wm. Cates Rambo

(21) Appl. No.: **29/113,558**

(57) **CLAIM**

(22) Filed: **Nov. 5, 1999**

The ornamental design for a vibrator head, as shown and described.

(51) **LOC (7) Cl.** **28-03**

(52) **U.S. Cl.** **D24/215**

(58) **Field of Search** D24/215, 214,
D24/200; 601/18, 46, 67, 78, 80, 81

DESCRIPTION

FIG. 1 is a perspective view of a vibrator head;
FIG. 2 is a front elevational view thereof, the rear
elevational view thereof and the top and bottom plan views
thereof each being identical to FIG. 2;

FIG. 3 is a left side elevational view thereof; and,

FIG. 4 is a right side elevational view thereof.

(56) **References Cited**

U.S. PATENT DOCUMENTS

- D. 191,253 * 8/1961 Martinec D24/215
- D. 197,889 * 4/1964 Hass D24/200 X
- D. 376,853 * 12/1996 Hsia D24/214
- 2,985,166 * 5/1961 Burkardt 601/18

1 Claim, 1 Drawing Sheet

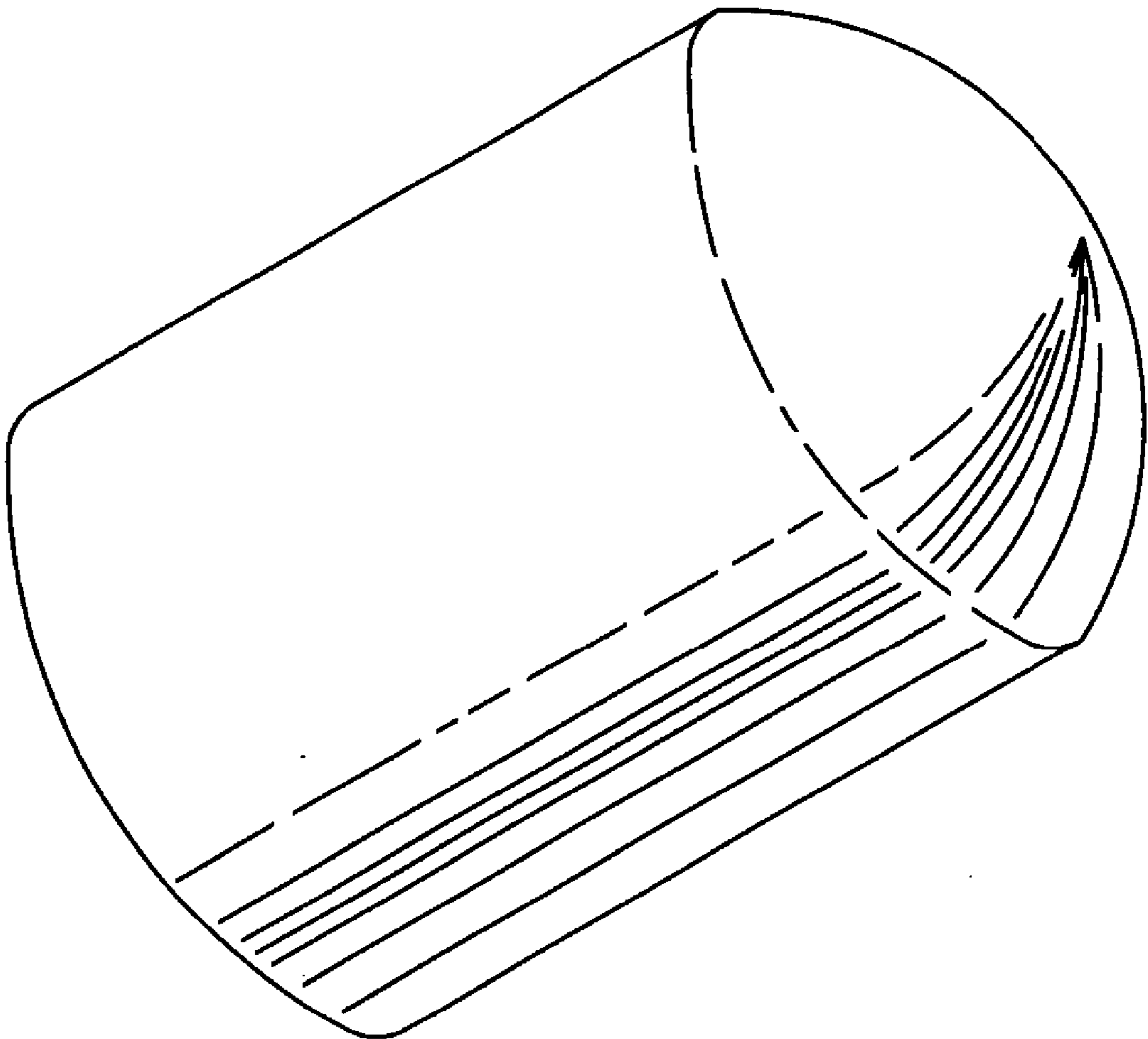


Fig 1

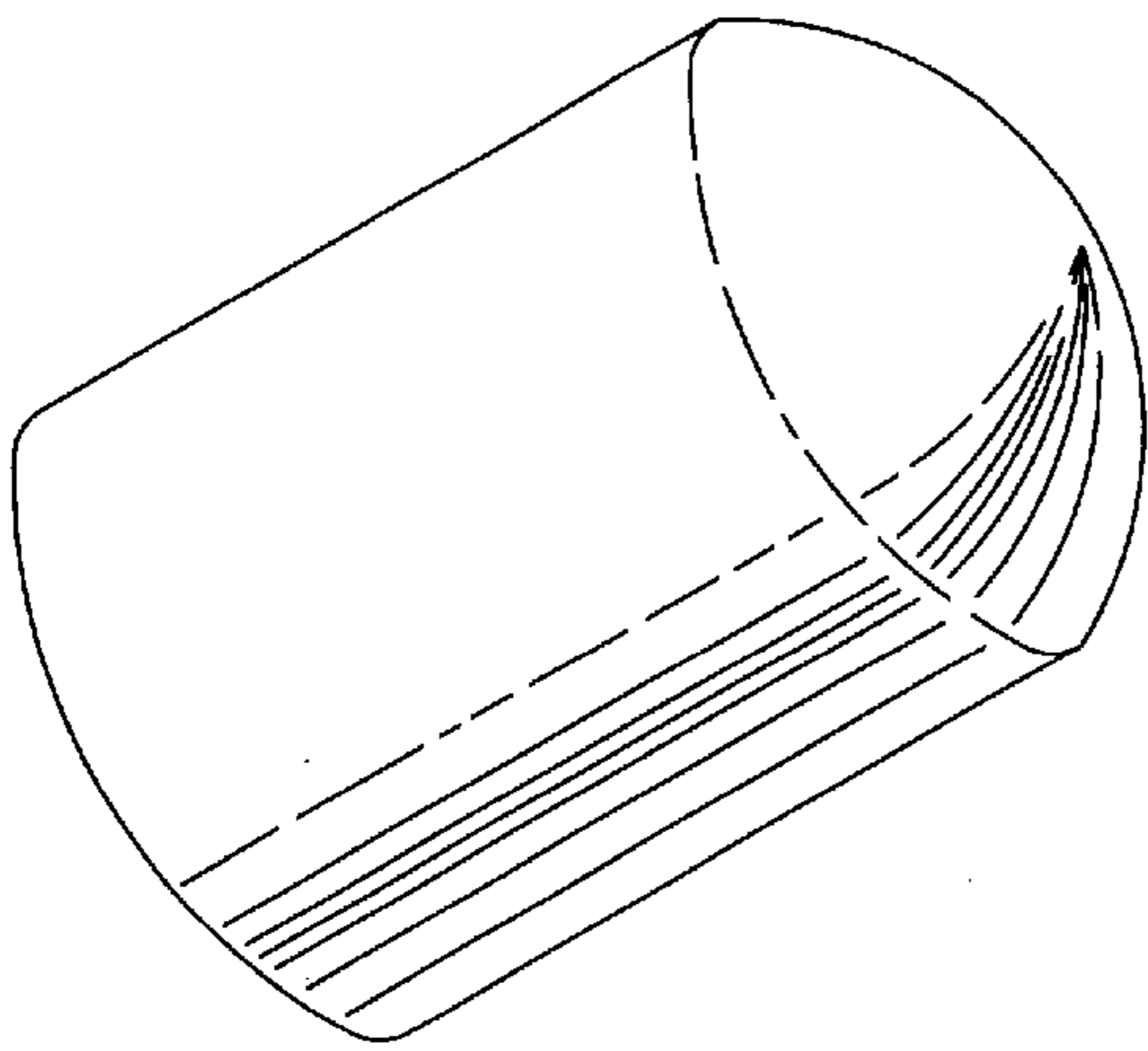


Fig 2

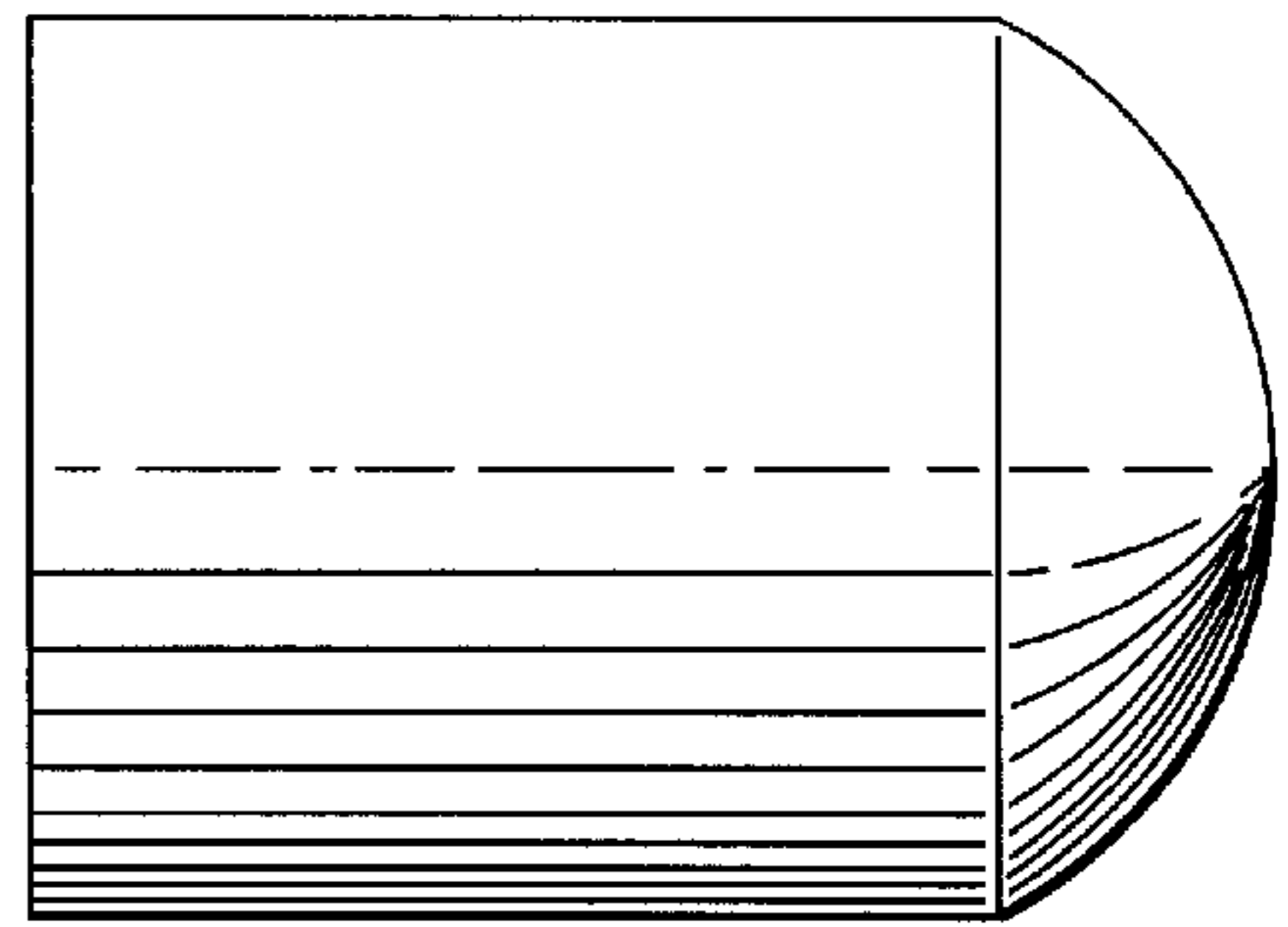


Fig 3

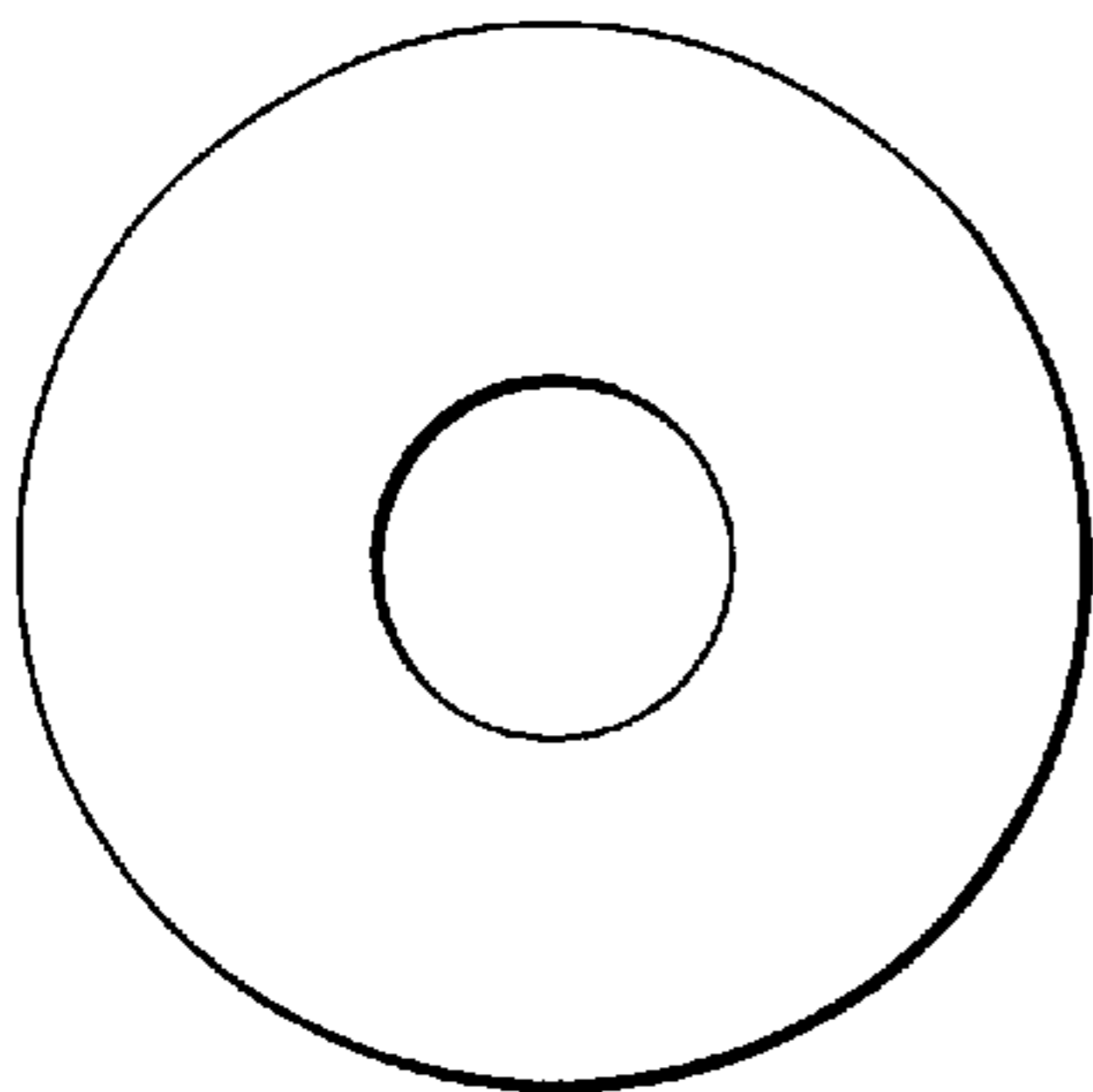


Fig 4

