



US00D439982S

(12) **United States Design Patent**  
**Ruscitti**

(10) **Patent No.:** **US D439,982 S**

(45) **Date of Patent:** **\*\* Apr. 3, 2001**

(54) **MAGNETIC NEO FLEXIBLE PATCH**

(57) **CLAIM**

(76) Inventor: **Ray S. Ruscitti**, 465 W. Dominion Dr.,  
Apt. # 1504, Wood Dale, IL (US) 60191

The ornamental design for a magnetic neo flexible patch, as shown and described.

(\*\*) Term: **14 Years**

**DESCRIPTION**

(21) Appl. No.: **29/122,654**

FIG. 1 is a perspective view of a magnetic neo flexible patch, showing my new design;

(22) Filed: **May 2, 2000**

FIG. 2 is front elevation view thereof; the rear elevation view being identical;

(51) **LOC (7) Cl.** ..... **24-04**

FIG. 3 is a top view thereof; the bottom view being identical;

(52) **U.S. Cl.** ..... **D24/188**

FIG. 4 is a right side elevation view thereof; the opposite side being identical;

(58) **Field of Search** ..... D24/200, 189,  
D24/188; 600/9, 15; 602/41, 42, 44, 48-53,  
75, 76; 128/889, 891, 892, 893, 894; 606/213-216

FIG. 5 is a perspective view of a second embodiment of the magnetic neo flexible patch, showing my new design;

(56) **References Cited**

FIG. 6 is a front elevation view thereof; the rear elevation view being identical;

**U.S. PATENT DOCUMENTS**

FIG. 7 is a top, bottom, right and left side elevation view thereof;

D. 261,936	*	11/1981	Sumiyasu	.....	D24/211
D. 427,316	*	6/2000	Ruscitti	.....	D24/200
5,304,111	*	4/1994	Mitsuno et al.	.....	600/9
5,707,333	*	1/1998	Bakst	.....	600/9
5,993,375	*	11/1999	Engel	.....	600/15

FIG. 8 is a perspective view of a third embodiment of the magnetic neo flexible patch, showing my new design;

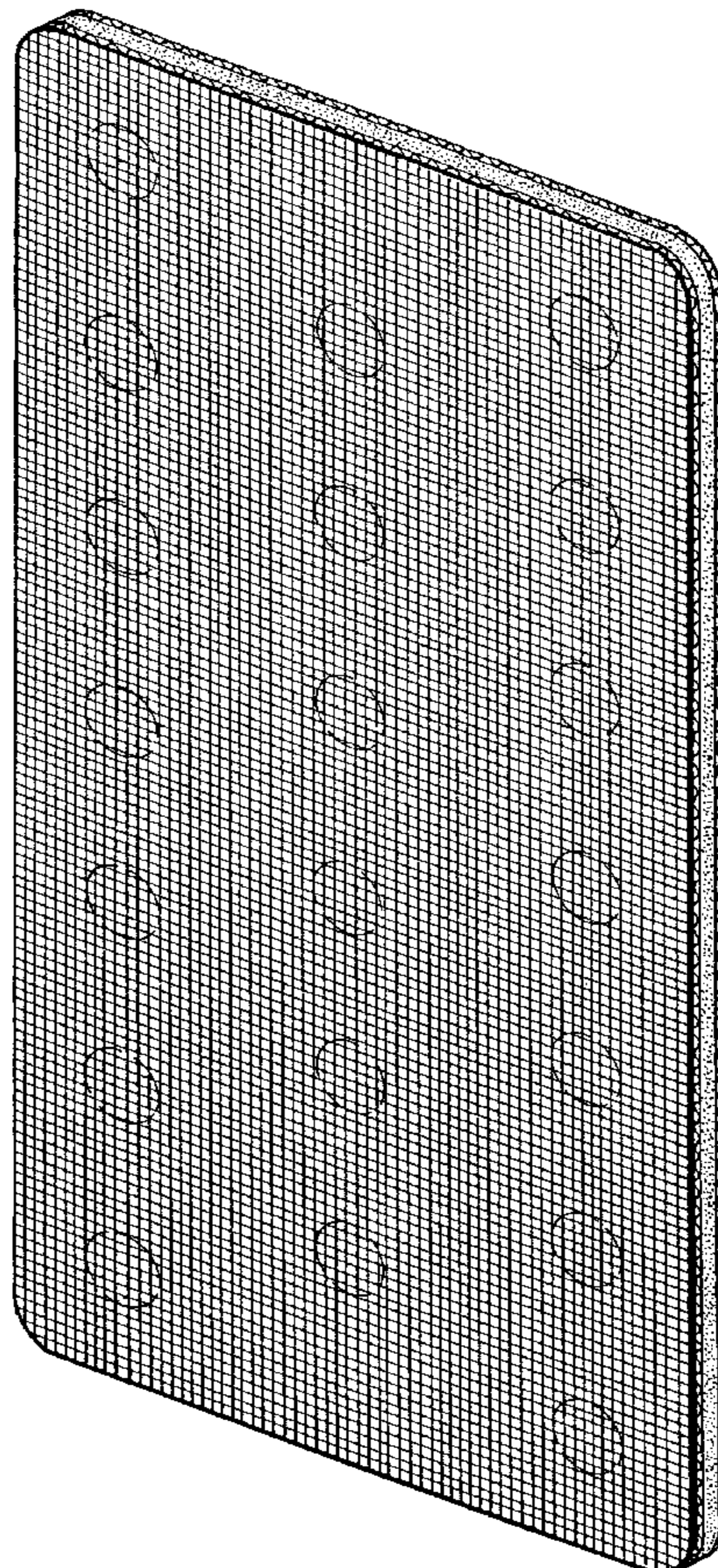
\* cited by examiner

FIG. 9 is a front elevation view thereof; the rear elevation view being identical; and,

*Primary Examiner*—Stella Reid

FIG. 10 is a top, bottom, right and left side elevation view thereof.

**1 Claim, 3 Drawing Sheets**



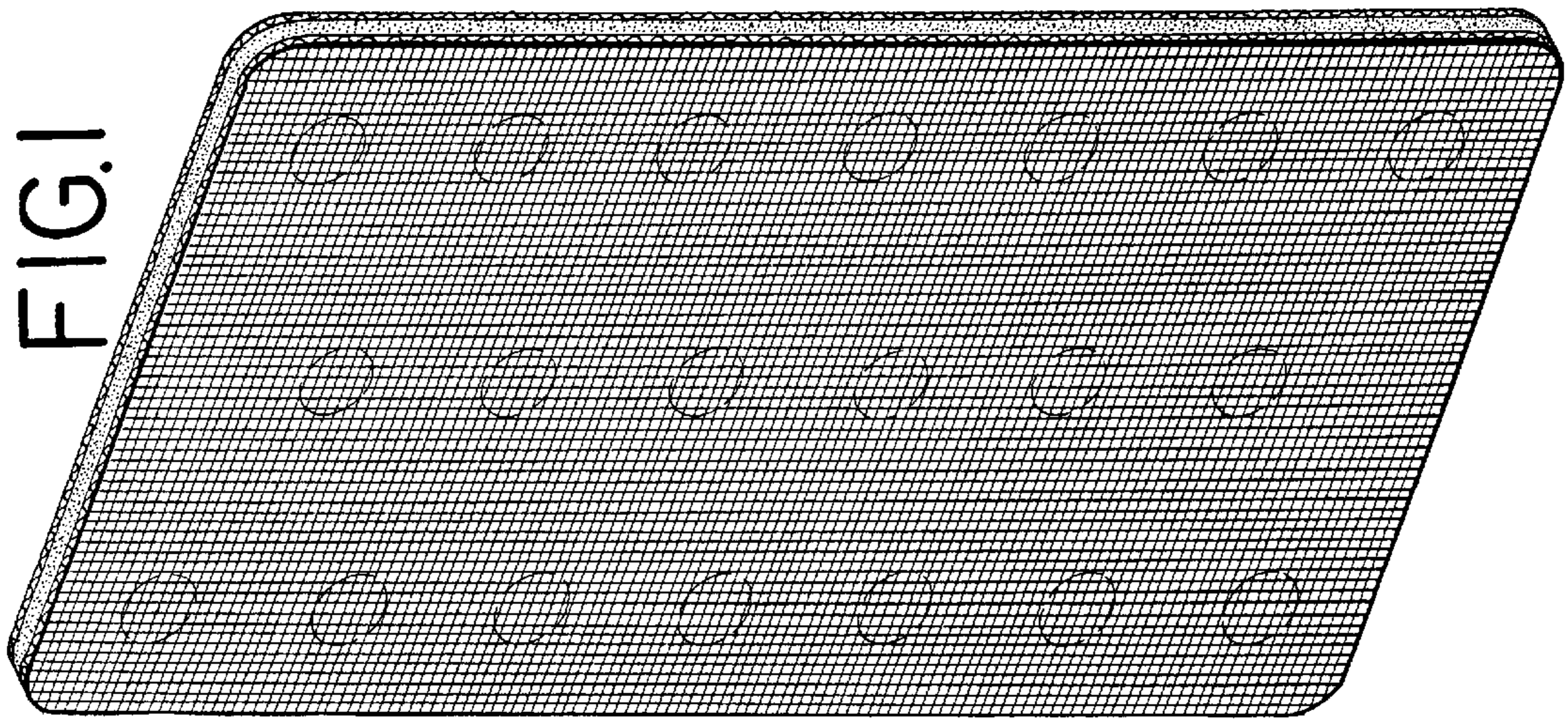


FIG. 1

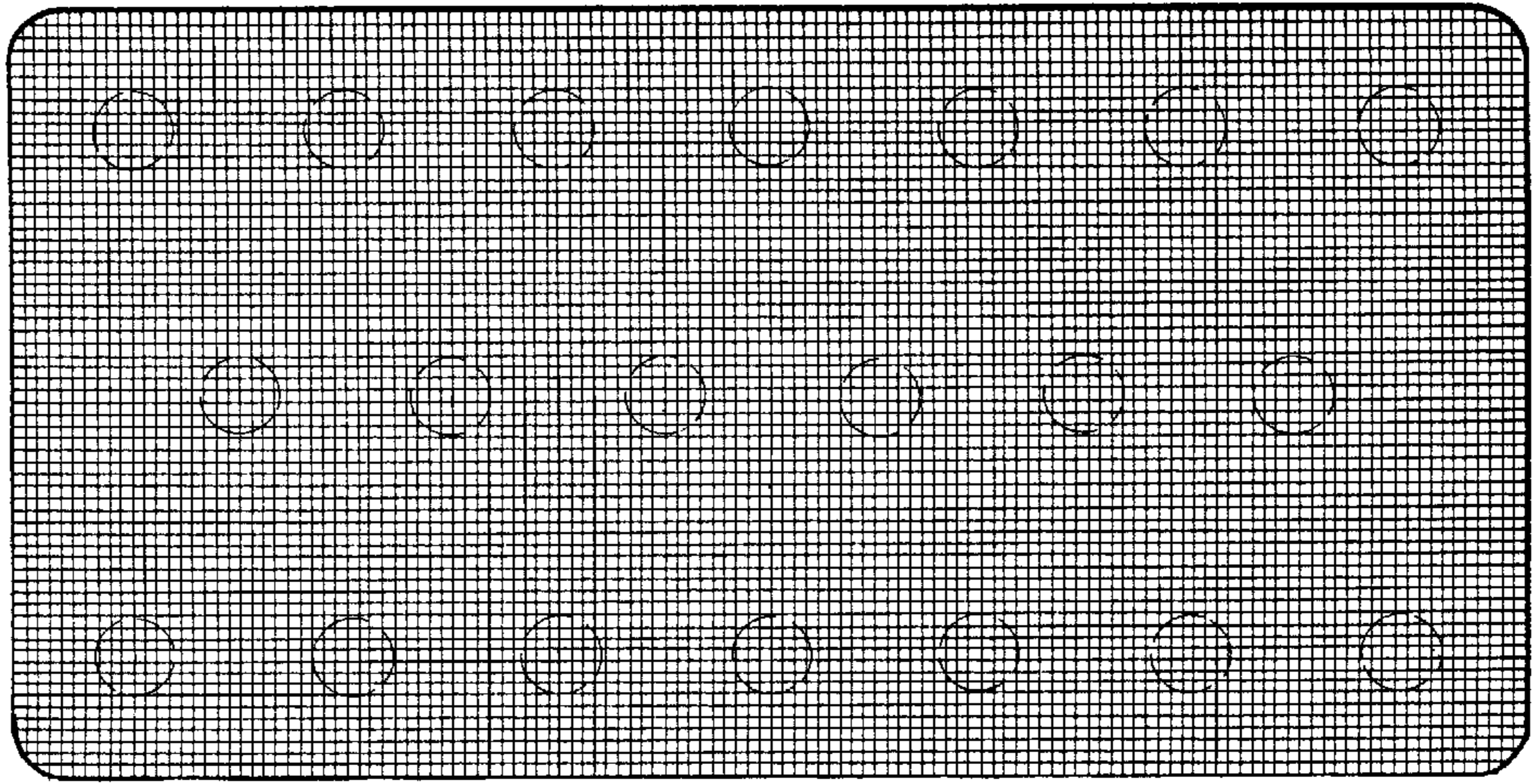


FIG. 2

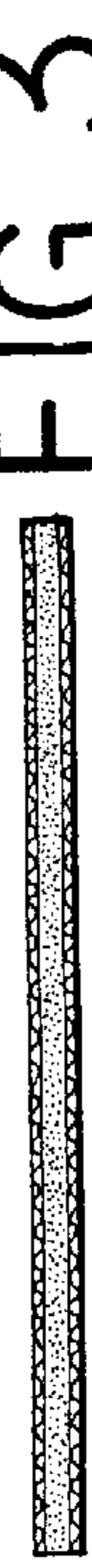


FIG. 3



FIG. 4

FIG. 5

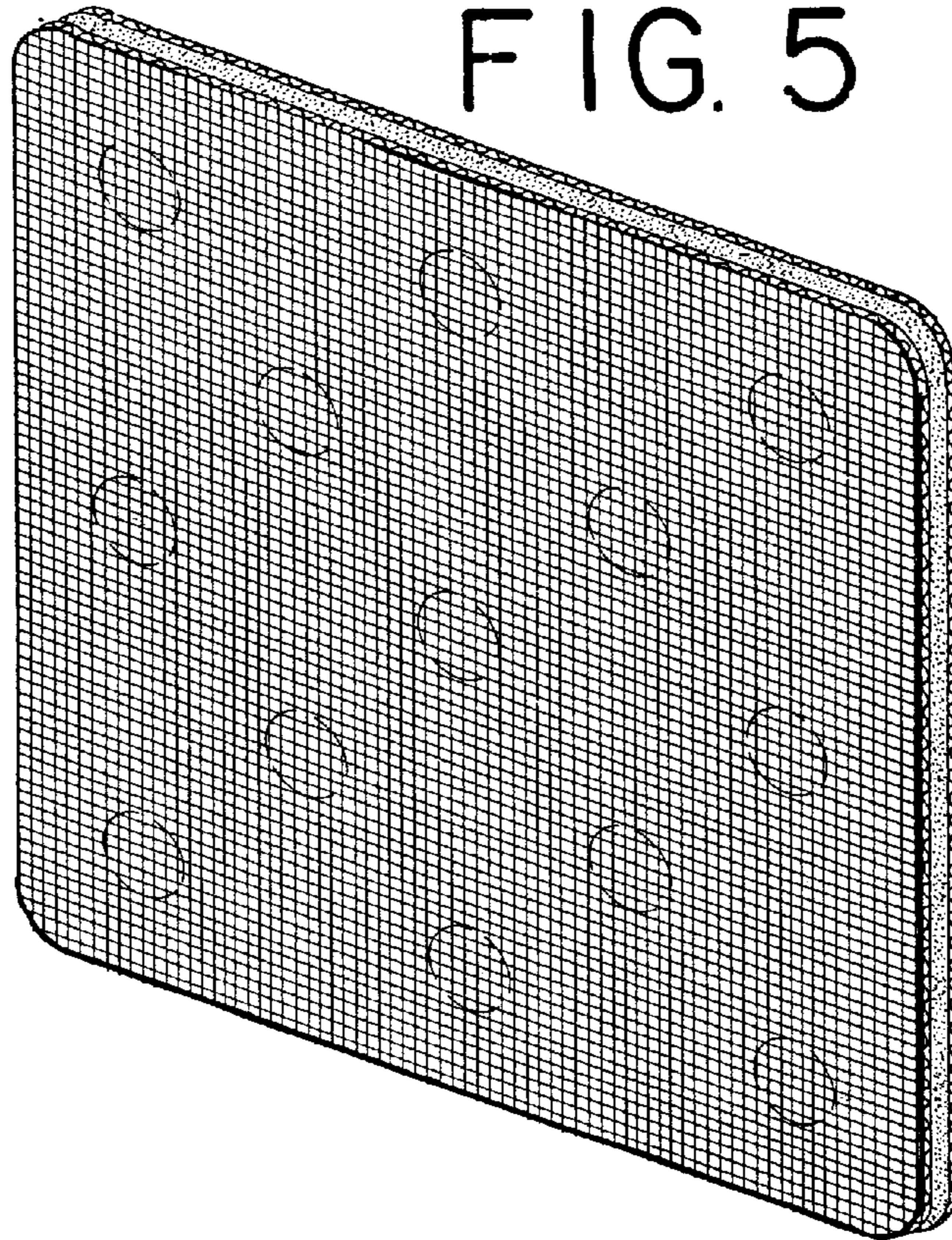


FIG. 6

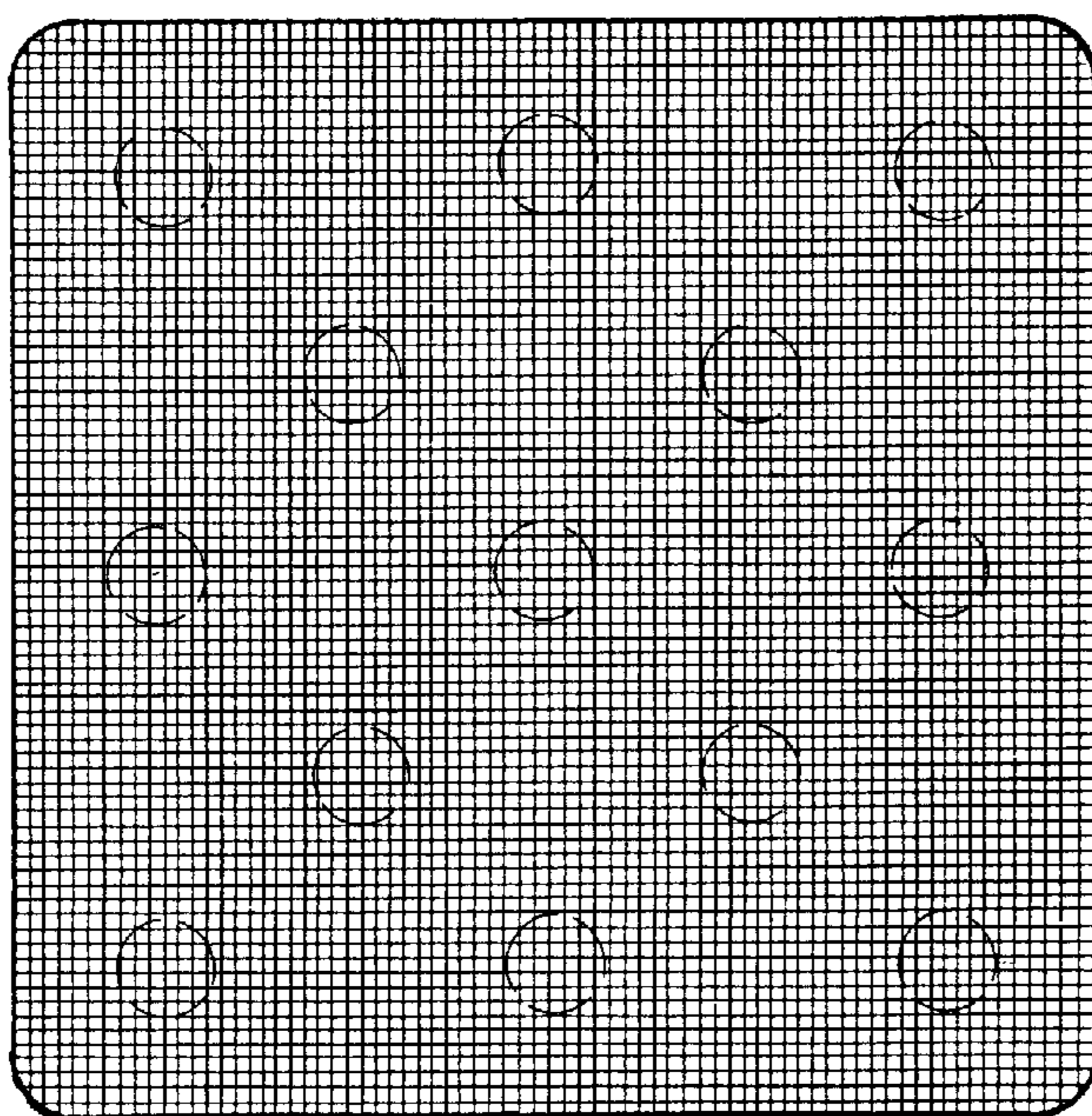


FIG. 7



FIG. 8

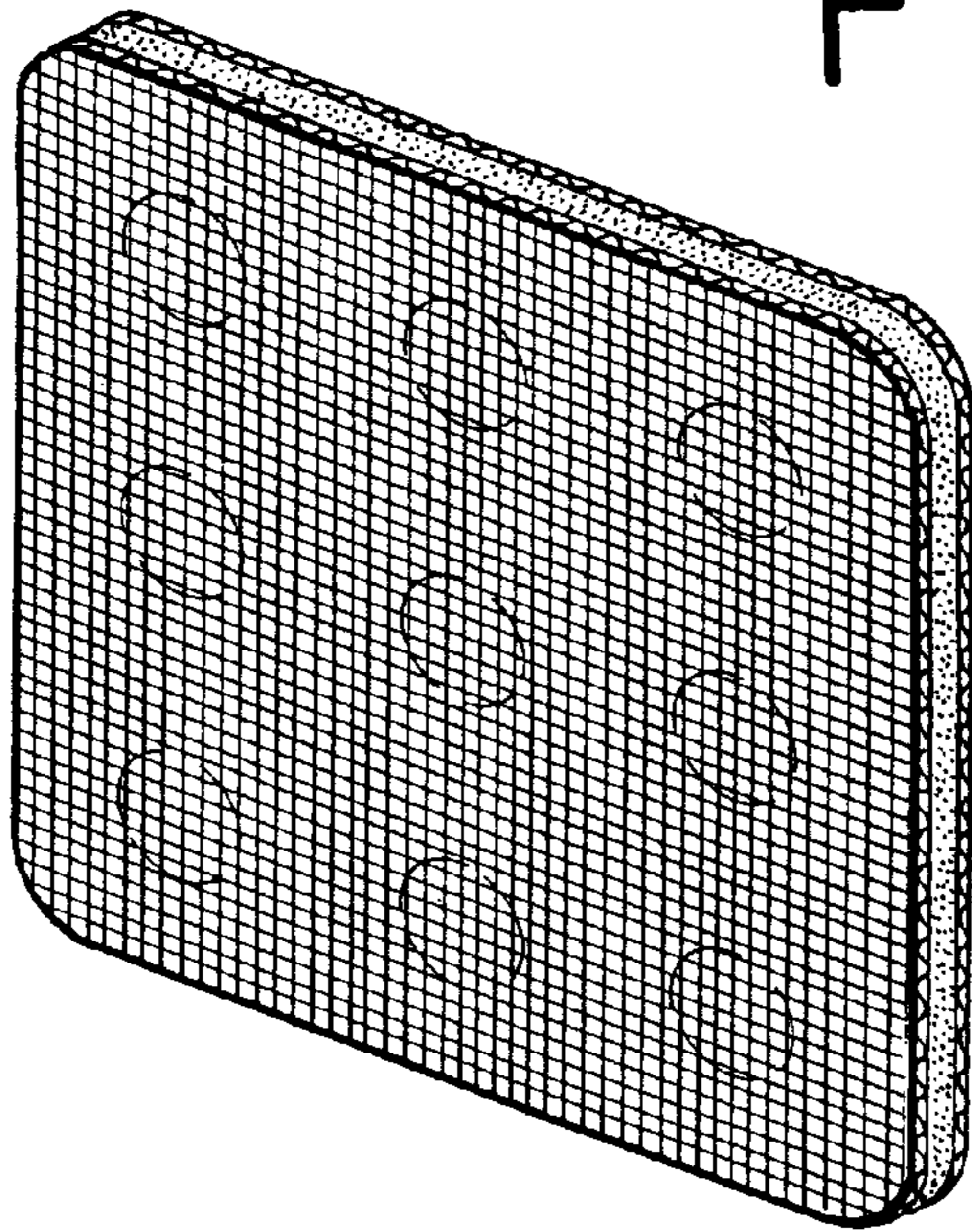


FIG. 9

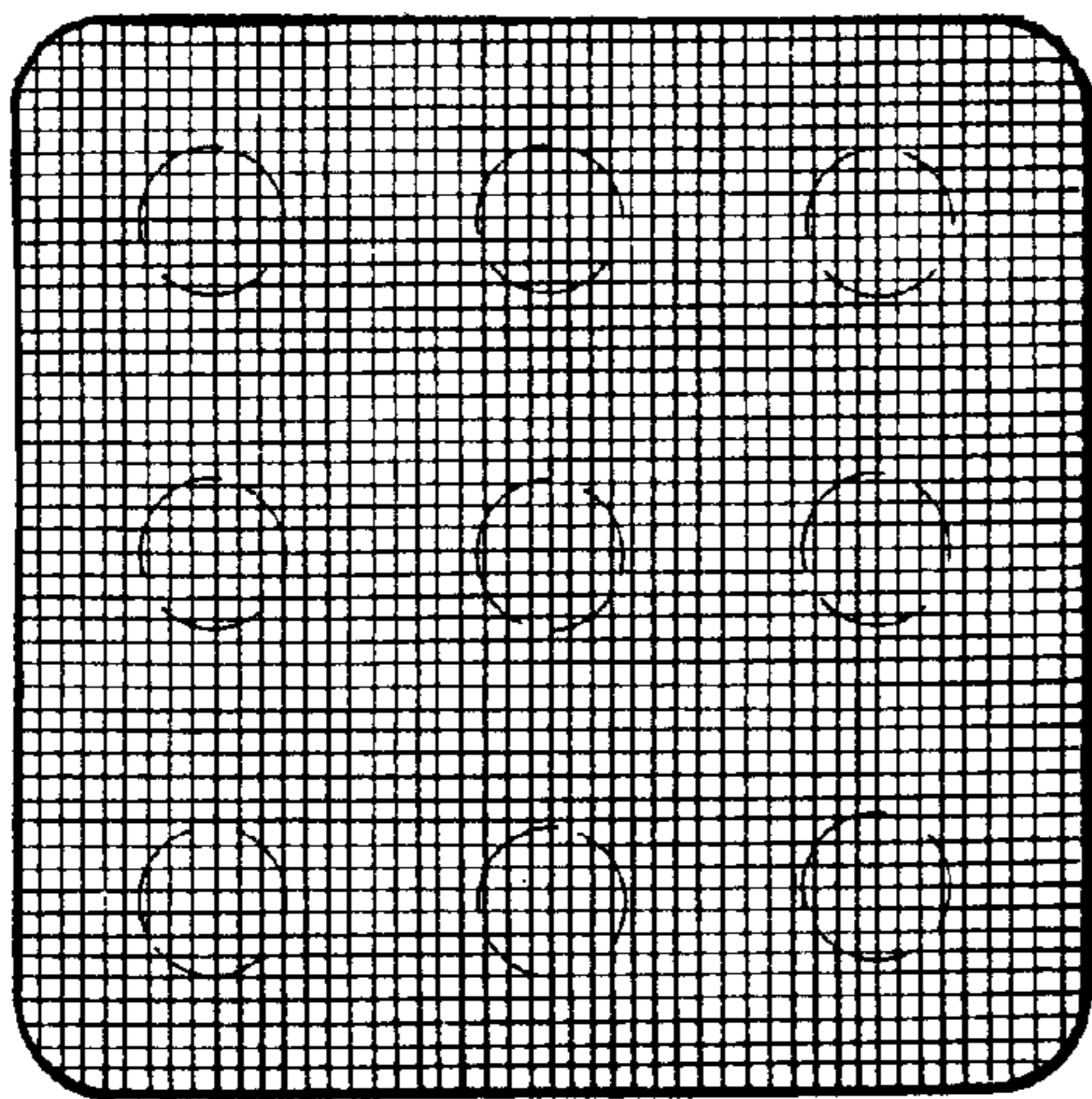


FIG. 10

