



US00D439979S

(12) **United States Design Patent**  
**Strobel et al.**

(10) **Patent No.:** **US D439,979 S**

(45) **Date of Patent:** **\*\* Apr. 3, 2001**

(54) **APPLICATOR**

6,066,146 \* 5/2000 Carroll et al. .... 606/148

(75) Inventors: **Michael Strobel**, Mitterfels; **Michael Sauer**, Tuttlingen, both of (DE)

\* cited by examiner

(73) Assignee: **Karl Storz GmbH & Co. KG** (DE)

*Primary Examiner*—Ian Simmons

(\*\*) Term: **14 Years**

(74) *Attorney, Agent, or Firm*—St.Onge Steward Johnston & Reens LLC

(21) Appl. No.: **29/107,517**

(57) **CLAIM**

(22) Filed: **Jul. 7, 1999**

The ornamental design for an applicator, as shown and described.

(51) **LOC (7) Cl.** ..... **24-02**

**DESCRIPTION**

(52) **U.S. Cl.** ..... **D24/147; D24/133**

FIG. 1 is a left side elevational view of an applicator, showing our new design, wherein a right side is a mirror image of the left side;

(58) **Field of Search** ..... D24/146, 147, D24/145, 133, 140; 606/108, 167, 180, 53, 79, 86, 151, 74, 205, 148, 93, 95, 99; 600/38

FIG. 2 is a left side perspective view thereof;

FIG. 3 is a left side elevational view thereof, with the push rod partially removed;

(56) **References Cited**

**U.S. PATENT DOCUMENTS**

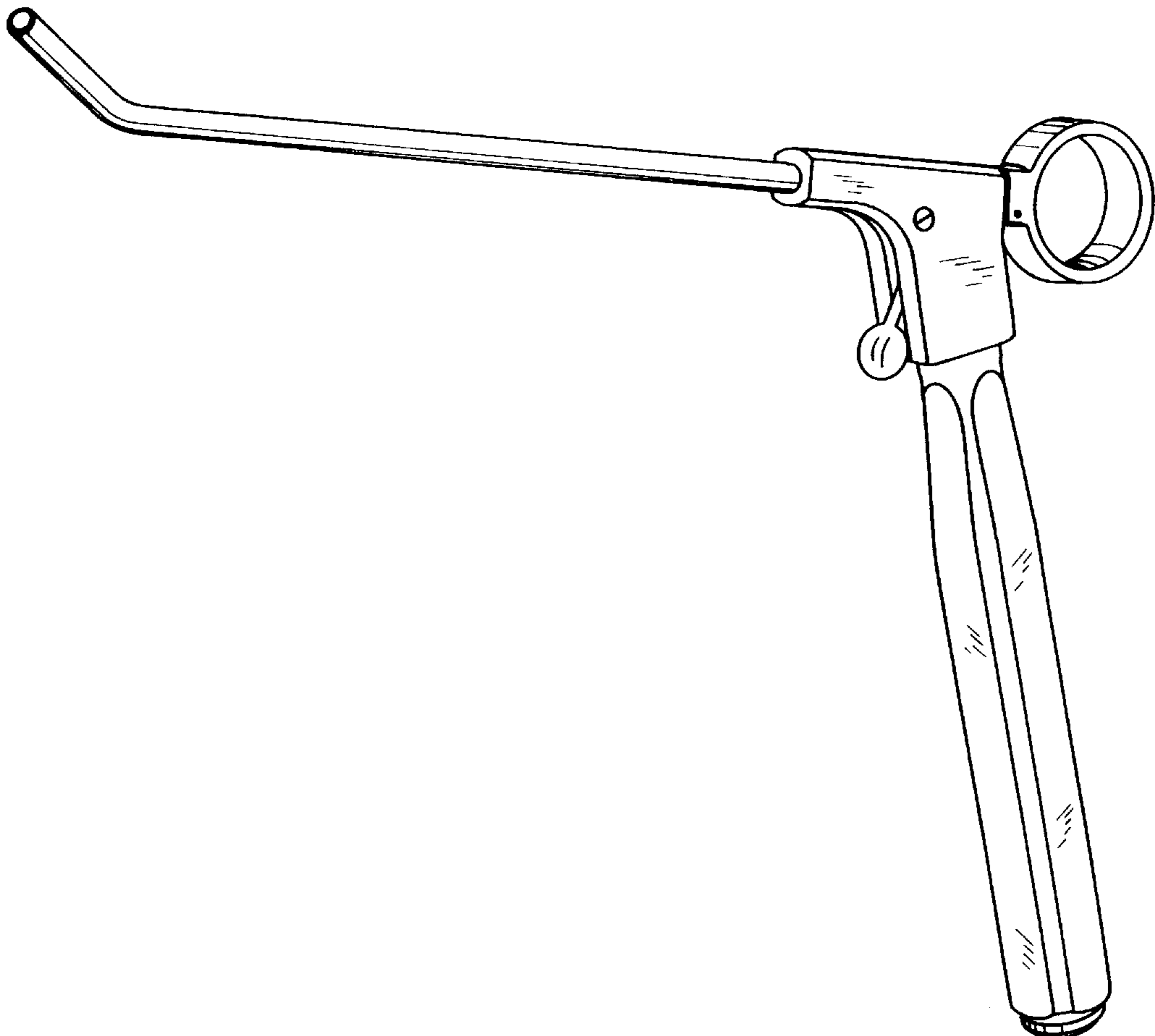
- 5,325,866 \* 7/1994 Krzyzanowski ..... 606/205
- 5,868,729 \* 2/1999 Pelfrey ..... 600/38
- 5,919,184 \* 7/1999 Tilton, Jr. .... 606/151
- 5,931,840 \* 8/1999 Goble et al. .... 606/73

FIG. 4 is a left side elevational view thereof, with the push rod removed from the applicator;

FIG. 5 is a rear elevational view thereof; and,

FIG. 6 is a bottom plan view thereof, with the push rod removed from the applicator.

**1 Claim, 5 Drawing Sheets**



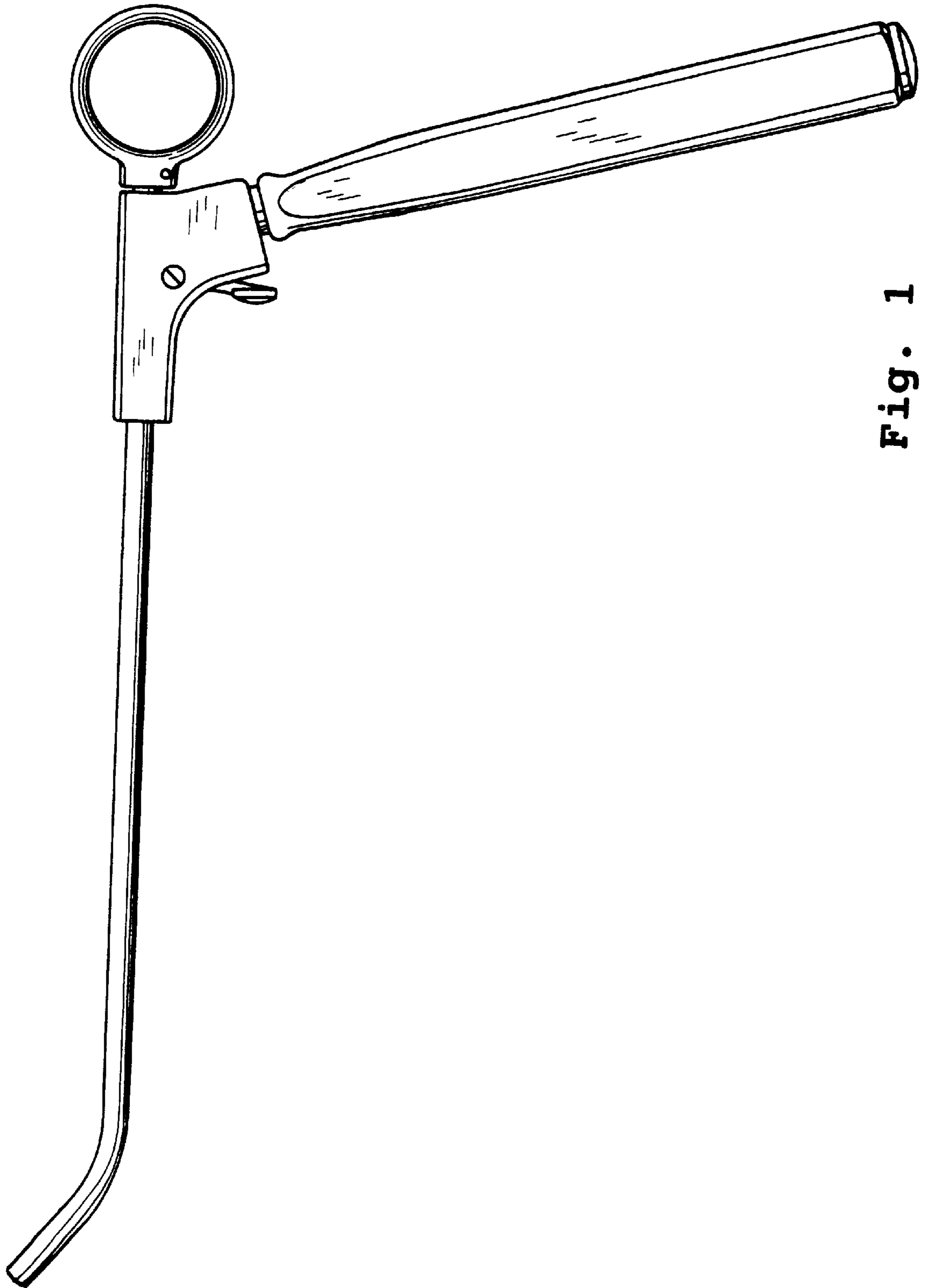


Fig. 1

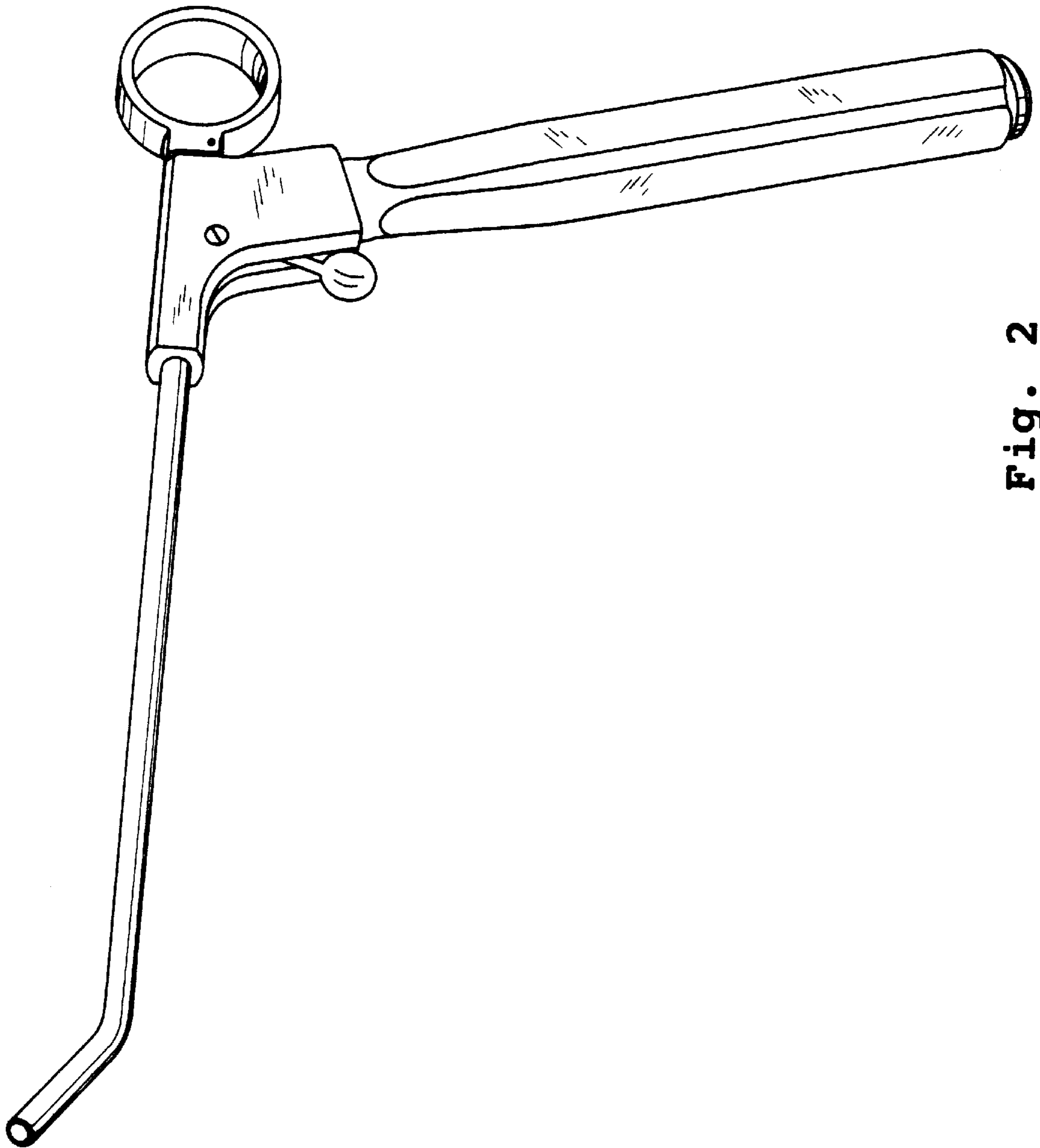


Fig. 2

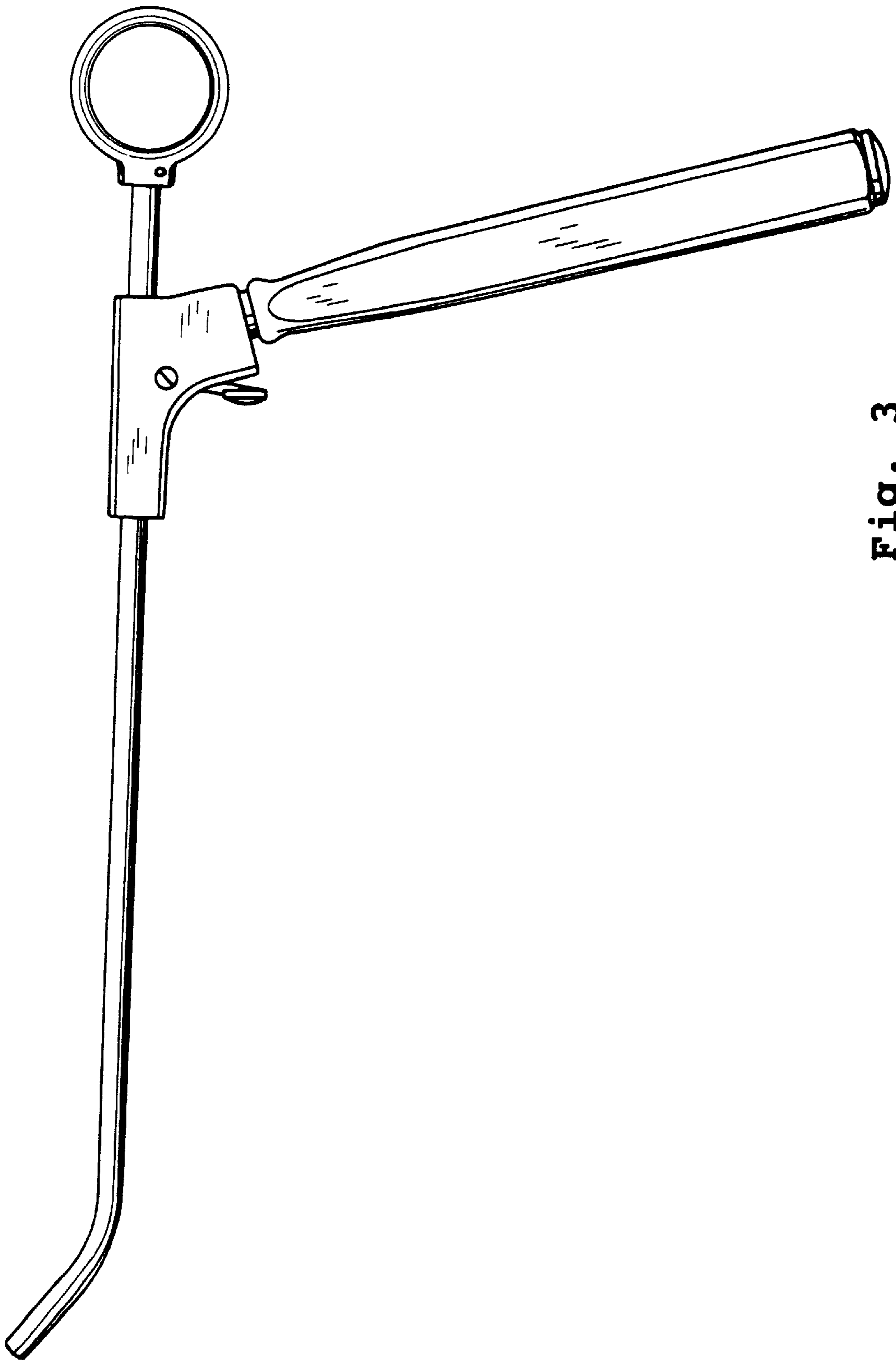


Fig. 3

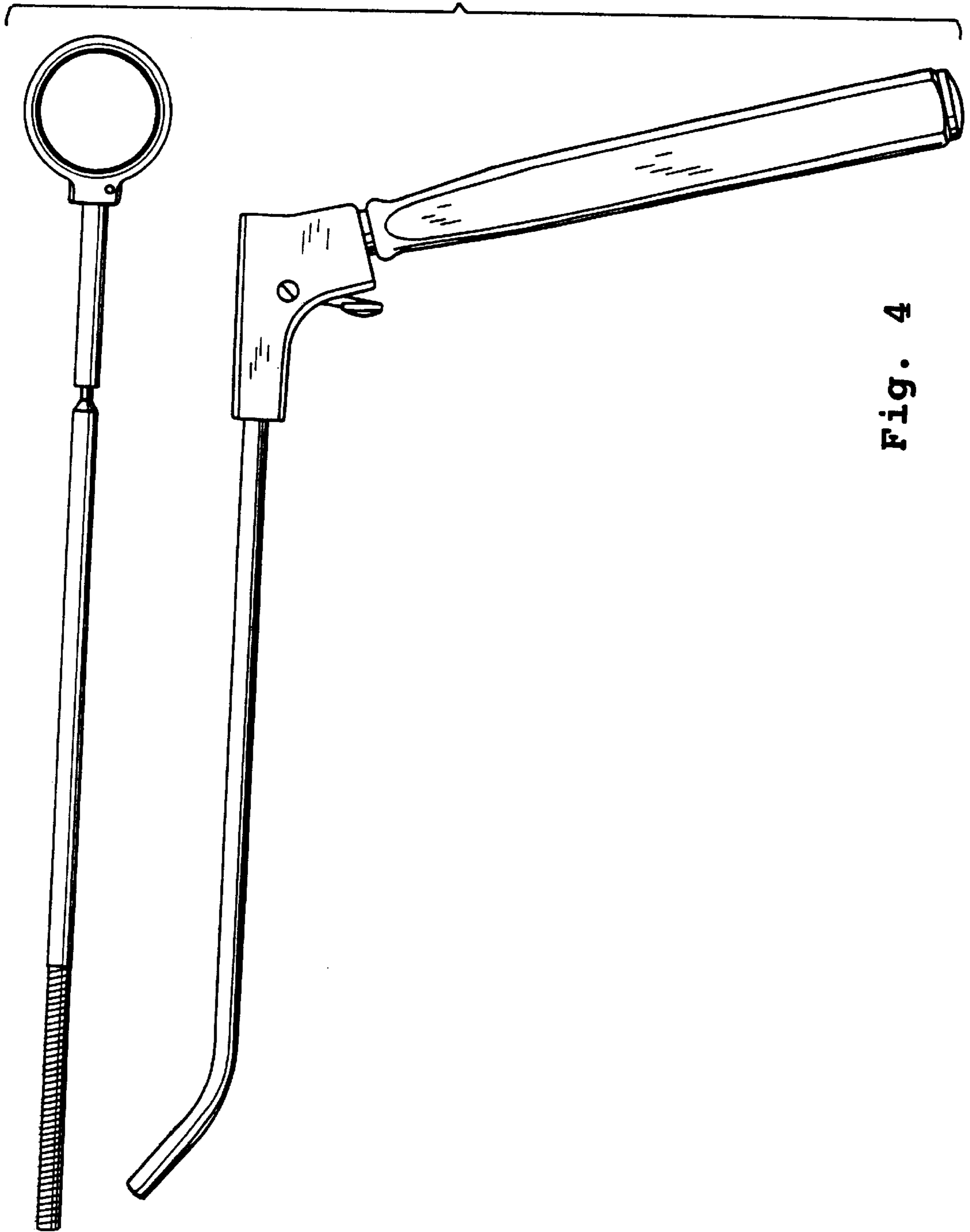


Fig. 4

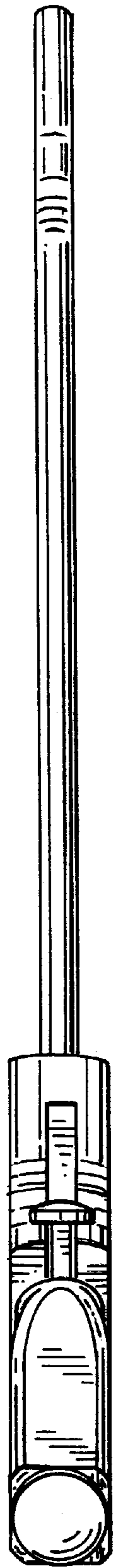


Fig. 6

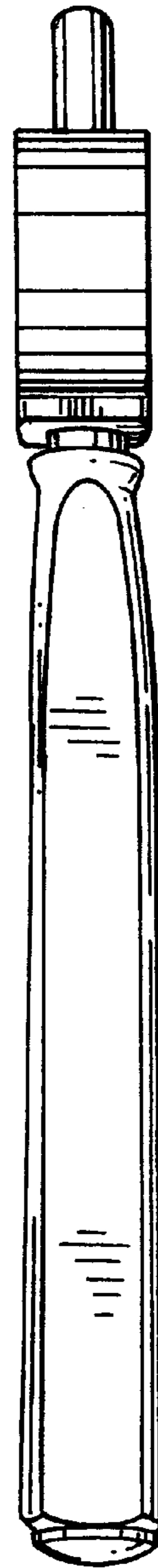


Fig. 5