



US00D439973S

(12) **United States Design Patent**
Choksi

(10) **Patent No.:** **US D439,973 S**

(45) **Date of Patent:** **** Apr. 3, 2001**

(54) **CANNULA/TUBING HOLDER**

(75) **Inventor:** **Pradip V. Choksi**, Northridge, CA (US)

(73) **Assignee:** **Neotech Products, Inc.**, Chatsworth, CA (US)

(**) **Term:** **14 Years**

(21) **Appl. No.:** **29/105,088**

(22) **Filed:** **May 17, 1999**

(51) **LOC (7) Cl.** **24-02**

(52) **U.S. Cl.** **D24/128**

(58) **Field of Search** 604/174, 177,
604/179, 180; 128/DIG. 26; 248/205.3;
D24/127, 128

(56) **References Cited**

U.S. PATENT DOCUMENTS

D. 370,258	*	5/1996	Newman	D24/128
D. 425,619	*	5/2000	Bierman	D24/128
3,834,380	*	9/1974	Boyd	604/180
4,122,857		10/1978	Haerr	128/348
4,457,754		7/1984	Buttaravoli	604/180
4,490,141		12/1984	Lacko et al.	604/180
4,678,462		7/1987	Vaillancourt	604/180
4,690,675	*	9/1987	Katz	604/177
4,738,662	*	4/1988	Kalt et al.	604/180
5,098,399	*	3/1992	Tollini	604/180

5,266,401	*	11/1993	Tollini	604/174
5,304,146	*	4/1994	Johnson et al.	604/180
5,342,317	*	8/1994	Claywell	604/179
5,370,627		12/1994	Conway	604/180
5,449,340	*	9/1995	Tollini	604/180
6,015,119	*	1/2000	Starchevich	604/180

OTHER PUBLICATIONS

K-Lok pamphlet.
Salter Labs; Flexi-Trak Skin Anchoring Device.

* cited by examiner

Primary Examiner—Robin V. Taylor

Assistant Examiner—Reid Hecker

(74) *Attorney, Agent, or Firm*—Kit M. Stetina; Stetina Brunda Garred & Brucker

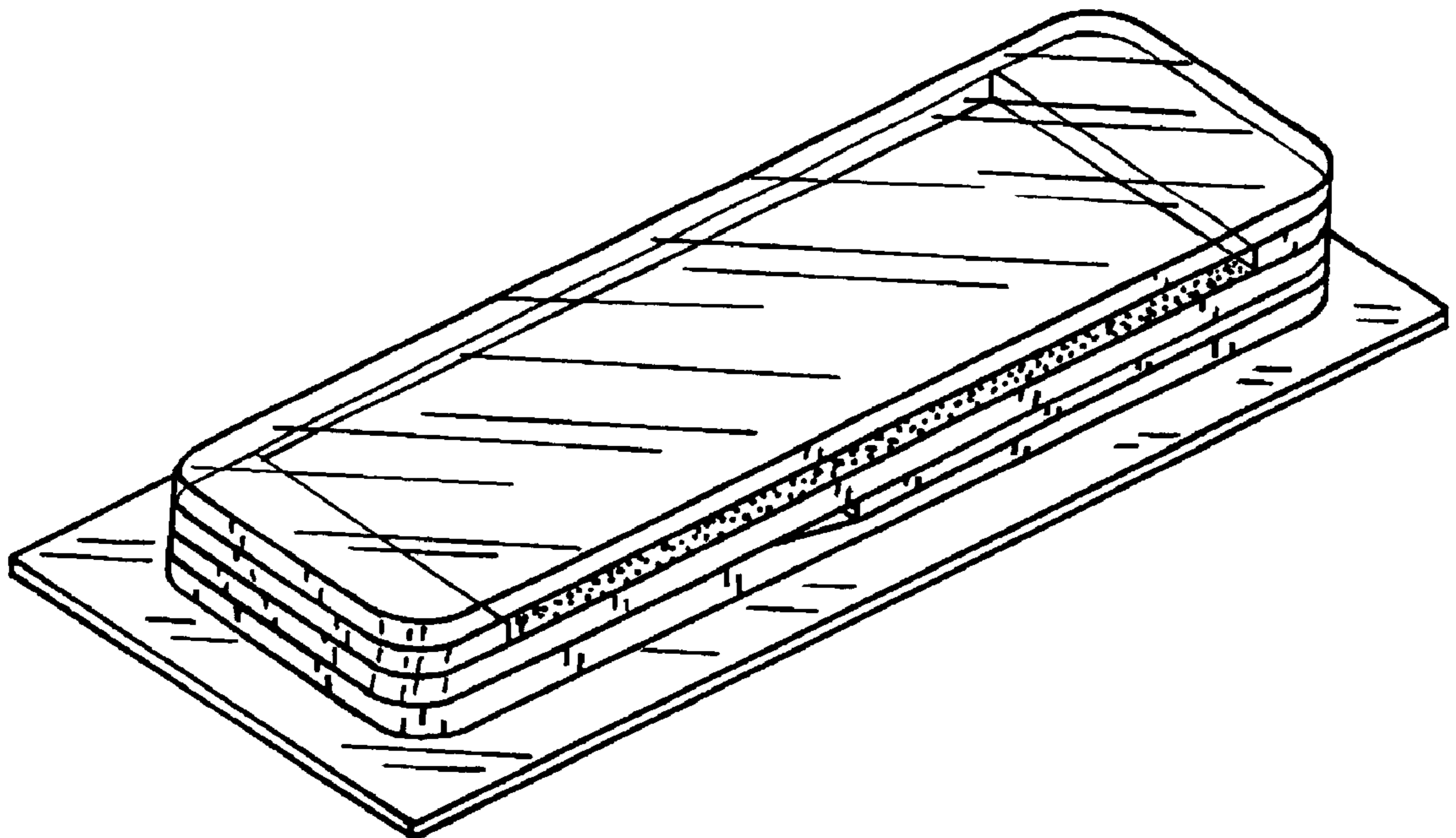
(57) **CLAIM**

The ornamental design for a cannula/tubing holder, as shown and described.

DESCRIPTION

FIG. 1 is a front perspective view of the cannula/tubing holder of the present invention showing my new design; FIG. 2 is a side elevation view thereof; FIG. 3 is a top plan view of FIG. 1; FIG. 4 is a left end elevational view thereof; and, FIG. 5 is a right end elevational view thereof.

1 Claim, 1 Drawing Sheet



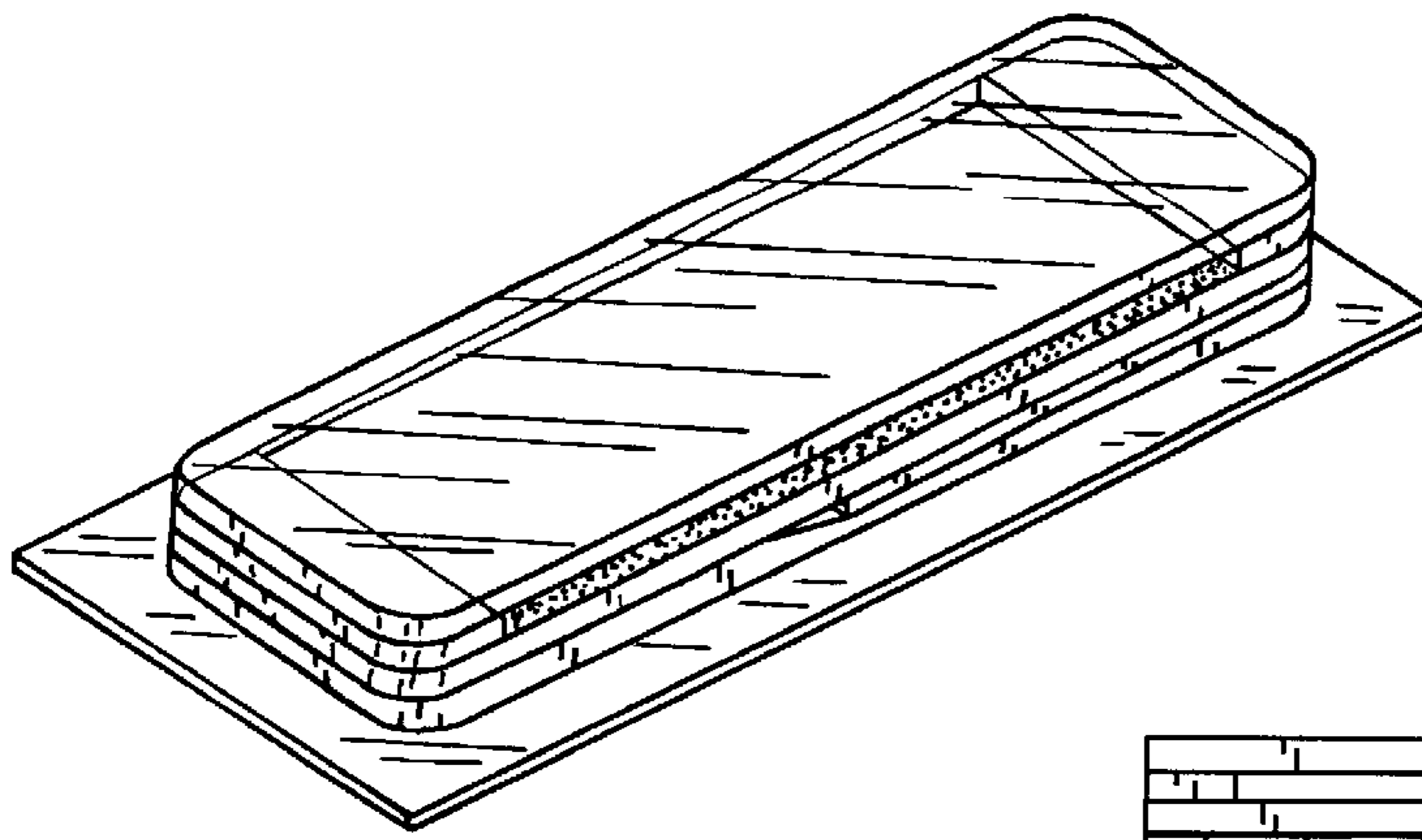


Fig. 1

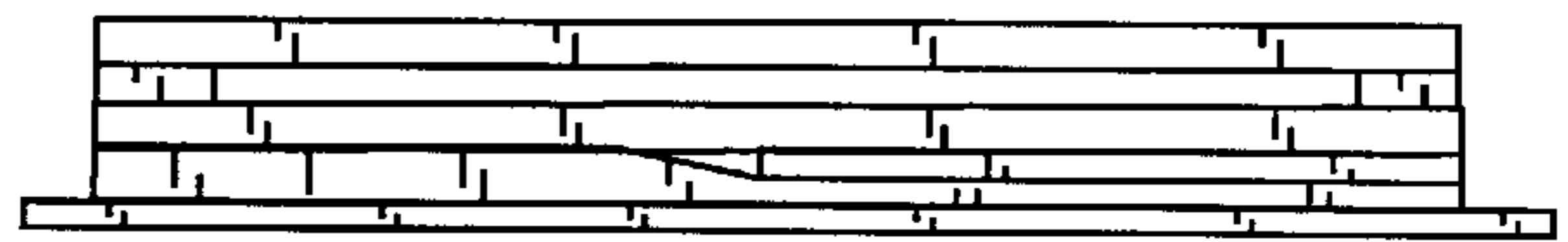


Fig. 2

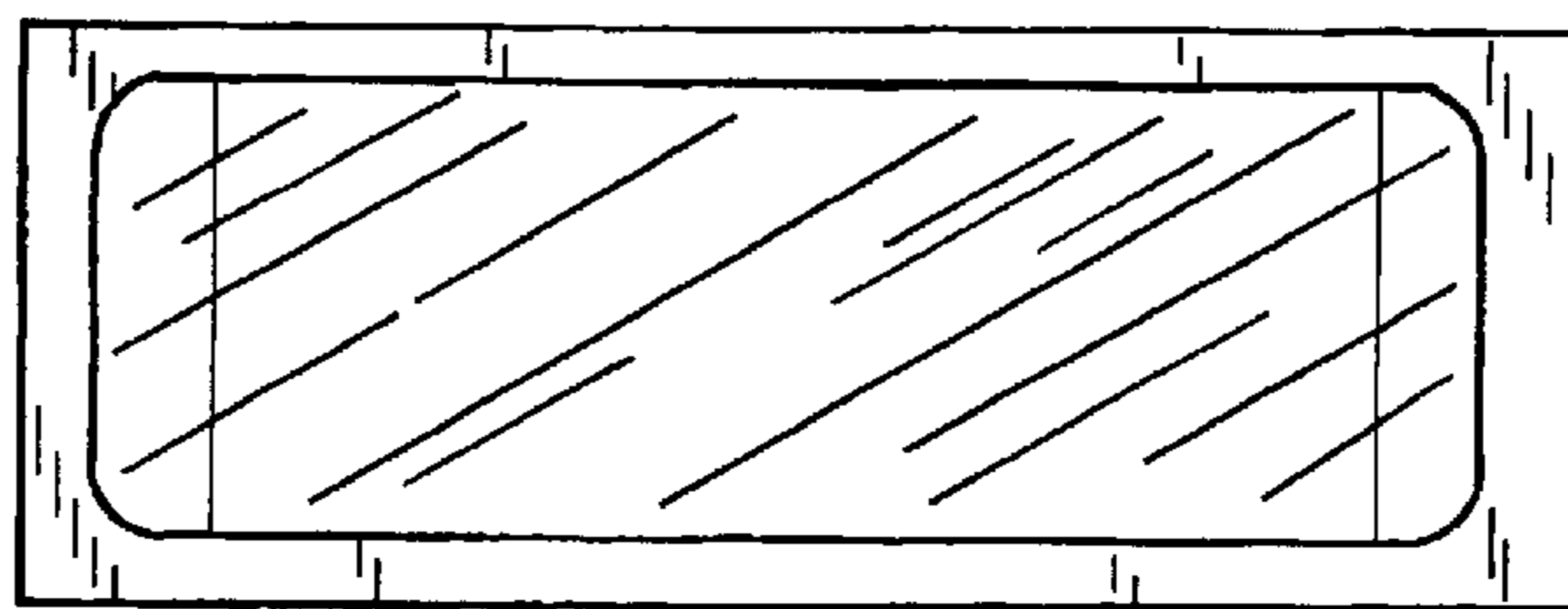


Fig. 3



Fig. 4

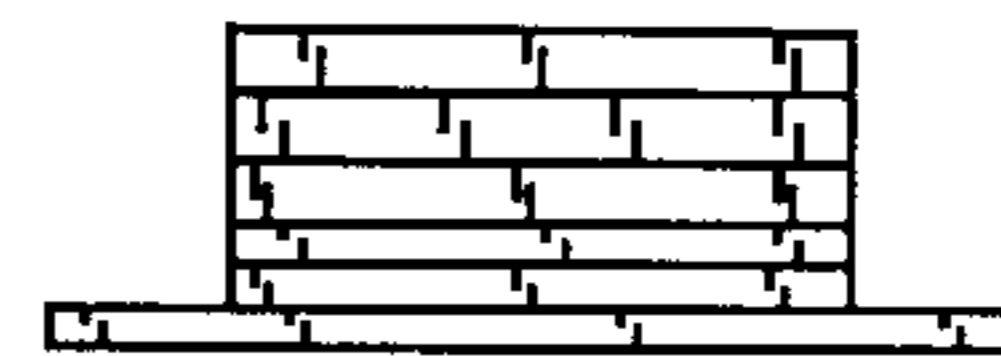


Fig. 5