



US00D439962S

(12) **United States Design Patent**
Gieseke et al.

(10) **Patent No.:** **US D439,962 S**
(45) **Date of Patent:** **** Apr. 3, 2001**

(54) **COALESCER FILTER ELEMENT WITH SCREEN**

(75) Inventors: **Steven Scott Gieseke; Robert Allen Dushek**, both of Richfield, MN (US)

(73) Assignee: **Donaldson Company, Inc.**, Minneapolis, MN (US)

(**) Term: **14 Years**

(21) Appl. No.: **29/102,102**

(22) Filed: **Mar. 17, 1999**

(51) **LOC (7) Cl.** **23-04**

(52) **U.S. Cl.** **D23/365**

(58) **Field of Search** D23/365; D15/1-5

(56) **References Cited**

U.S. PATENT DOCUMENTS

Re. 35,433	1/1997	Alexander, III .	
D. 148,396	1/1948	Stevens et al. .	
D. 298,051	10/1988	Matheson et al. .	
D. 368,269	3/1996	Chapman .	
D. 408,513	4/1999	Reede .	
D. 420,117 *	2/2000	Gieseke et al.	D23/365

* cited by examiner

Primary Examiner—Lisa Lichtenstein

(74) *Attorney, Agent, or Firm*—Merchant & Gould P.C.

(57) **CLAIM**

The ornamental design for coalescer filter element with screen, as shown and described.

DESCRIPTION

FIG. 1 is a perspective view of a coalescer filter element with screen embodying our new design;

FIG. 2 is a top plan view of the coalescer filter element with screen depicted in FIG. 1;

FIG. 3 is a bottom plan view of the coalescer filter element with screen depicted in FIG. 1;

FIG. 4 is a front elevational view of the coalescer filter element with screen depicted in FIG. 1;

FIG. 5 is a rear elevational view of the coalescer filter element with screen depicted in FIG. 1;

FIG. 6 is a left elevational view of the coalescer filter element with screen depicted in FIG. 1;

FIG. 7 is right elevational view of the coalescer filter element with screen depicted in FIG. 1;

FIG. 8 is a perspective view of a second embodiment of a coalescer filter element with screen according to our new design, the structure shown in broken lines from no part of the design sought to be patented;

FIG. 9 is a top plan view of the coalescer filter element with screen depicted in FIG. 8;

FIG. 10 is a bottom plan view of the coalescer filter element with screen depicted in FIG. 8, the structure shown in broken lines forming no part of the design sought to be patented;

FIG. 11 is a front elevational view of the coalescer filter element with screen depicted in FIG. 8, the structure shown in broken lines forming no part of the design sought to be patented;

FIG. 12 is a rear elevational view of the coalescer filter element with screen depicted in FIG. 8, the structure shown in broken lines forming no part of the design sought to be patented;

FIG. 13 is a left elevational view of the coalescer filter element with screen depicted in FIG. 8, the structure shown in broken lines forming no part of the design sought to be patented; and,

FIG. 14 is a right elevational view of the coalescer filter element with screen depicted in FIG. 8, the structure shown in broken lines forming no part of the design sought to be patented.

1 Claim, 8 Drawing Sheets

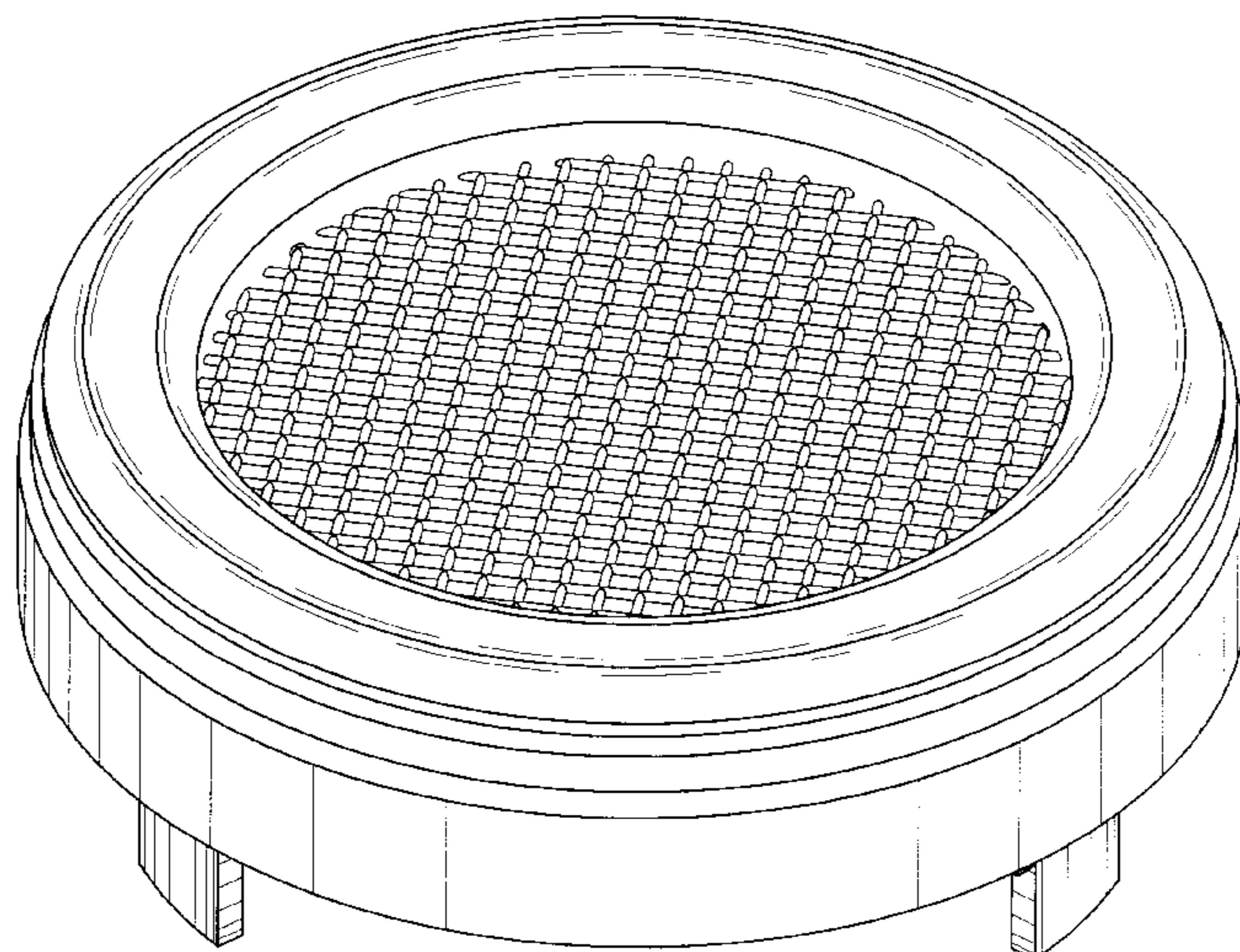


FIG. 1

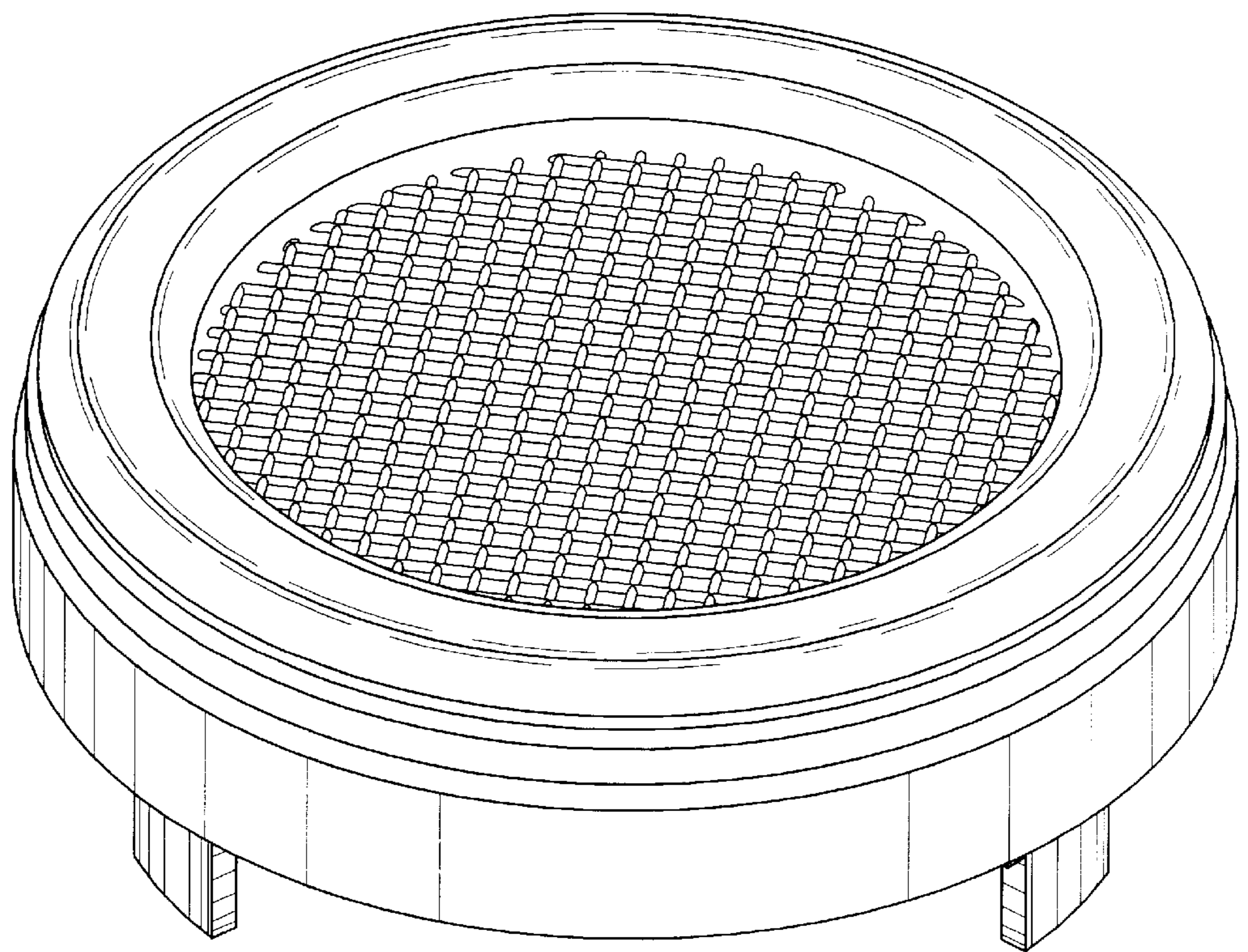


FIG. 2

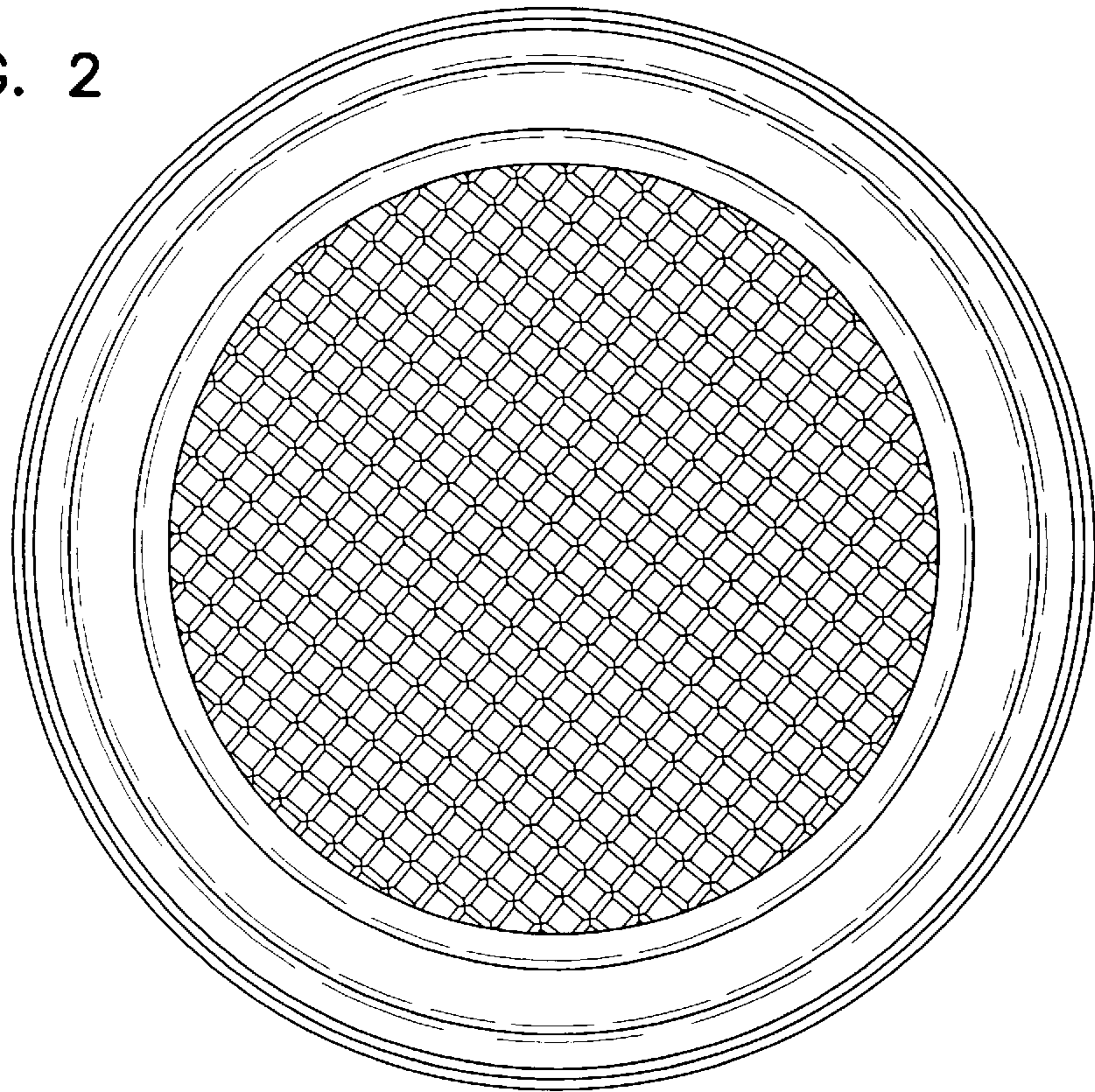


FIG. 3

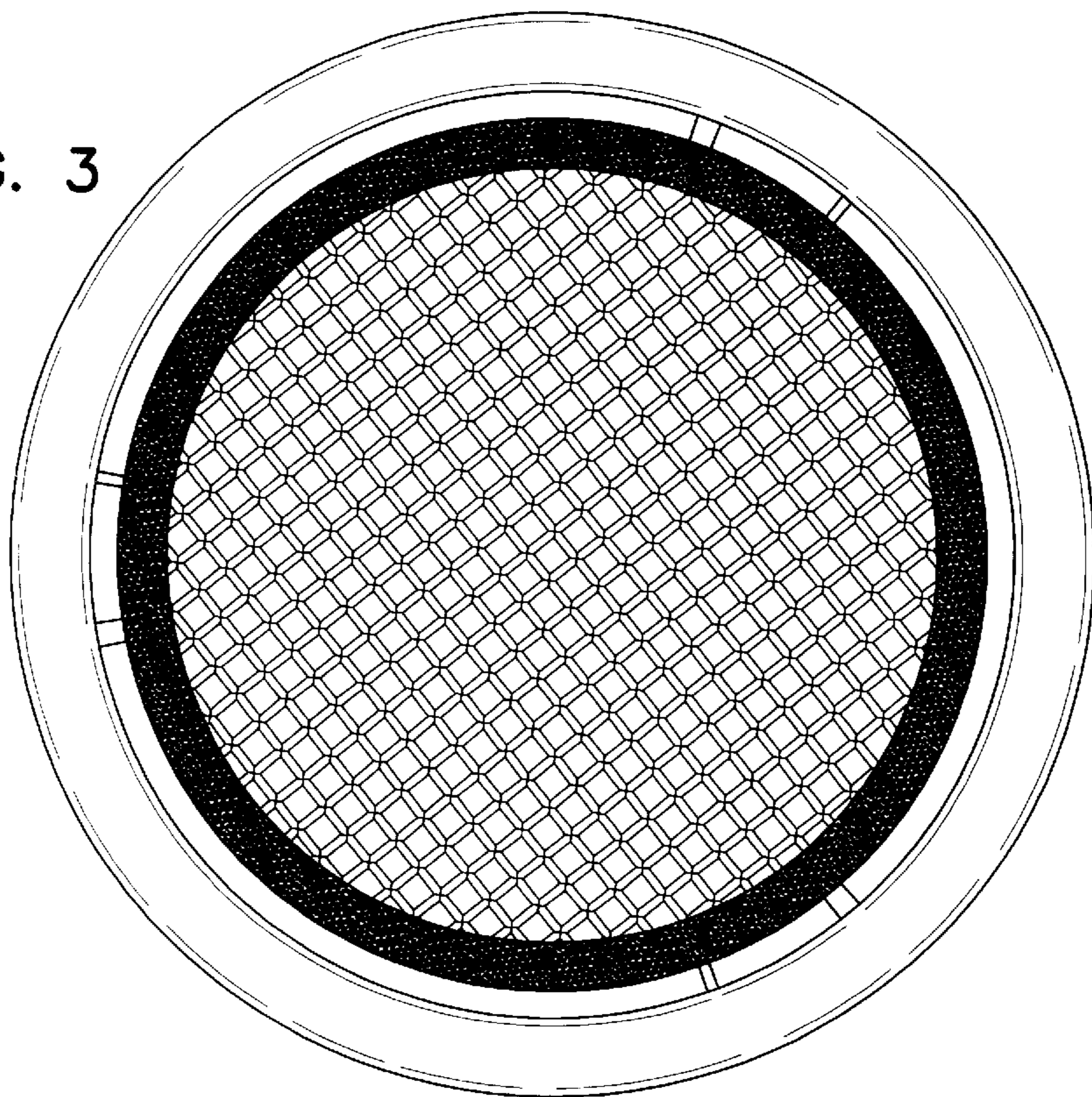


FIG. 4

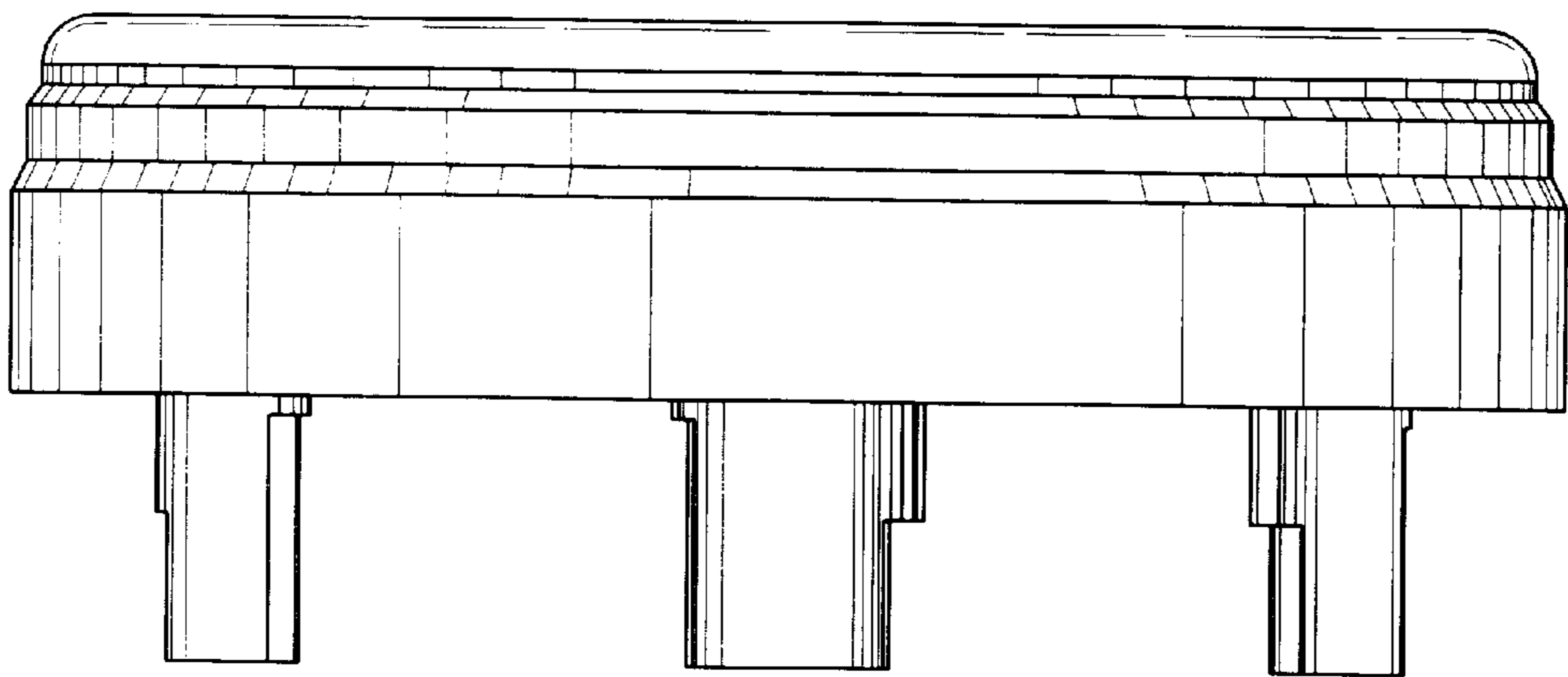


FIG. 5

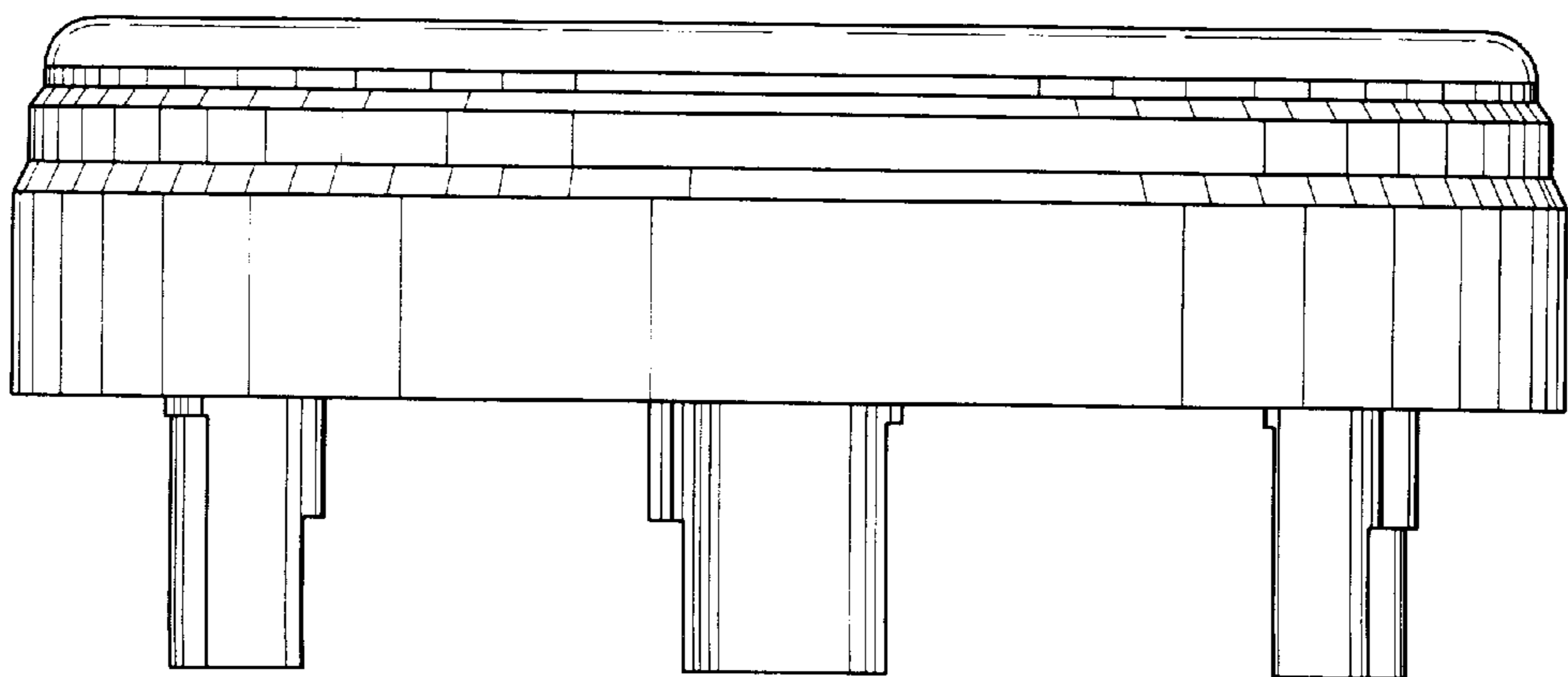


FIG. 6

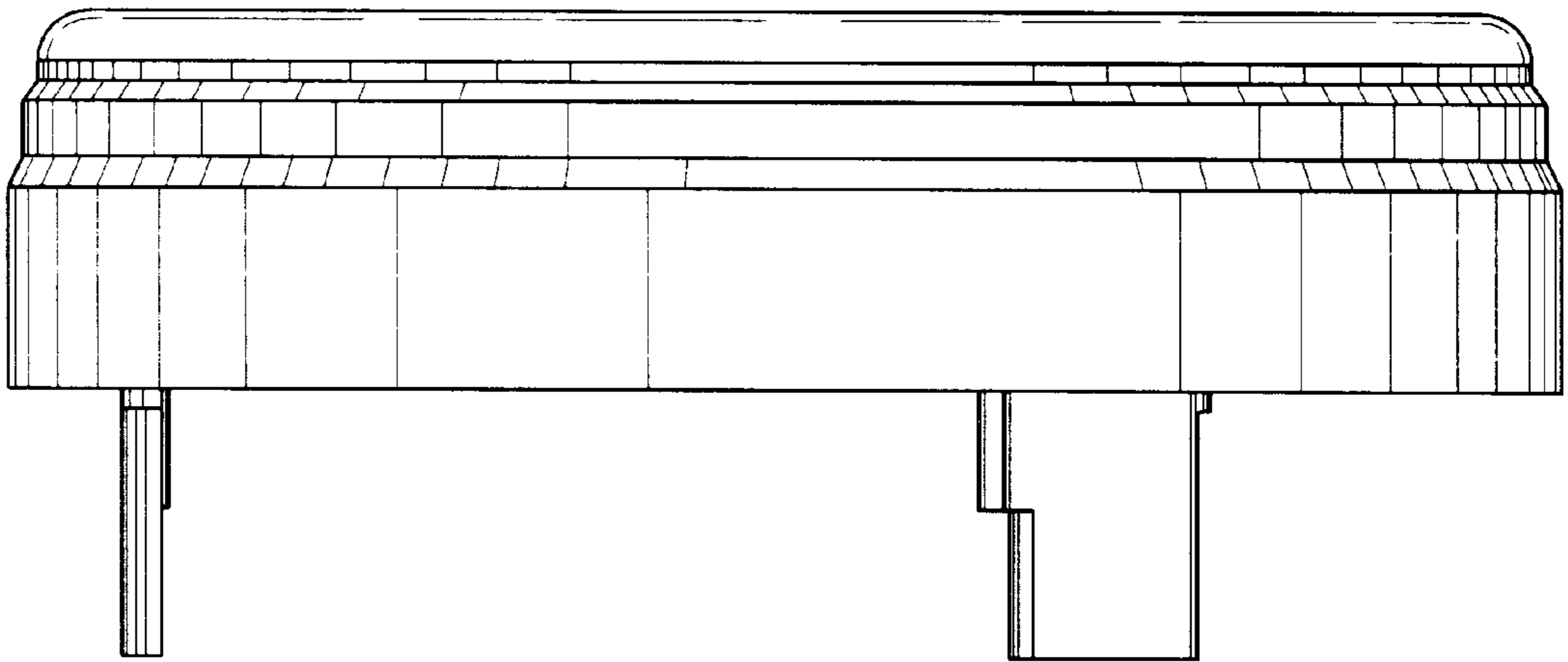


FIG. 7

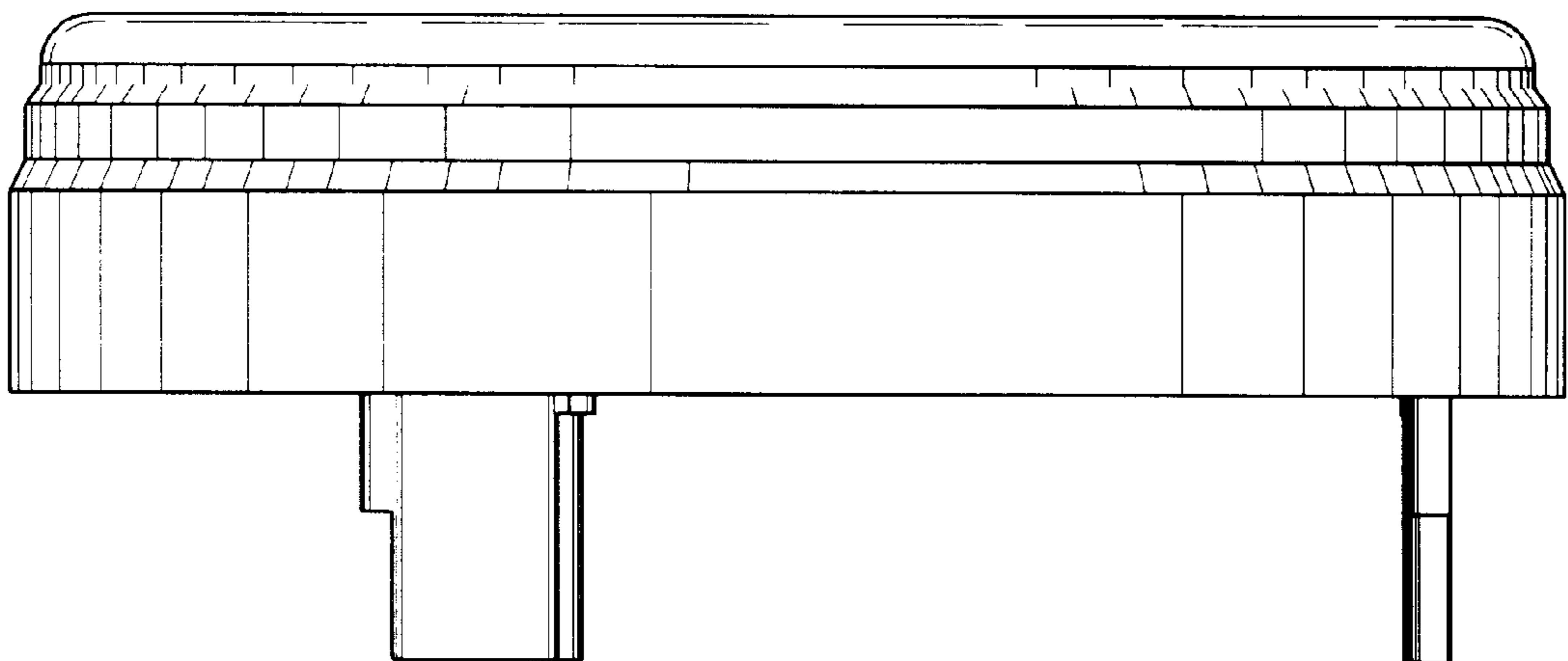


FIG. 8

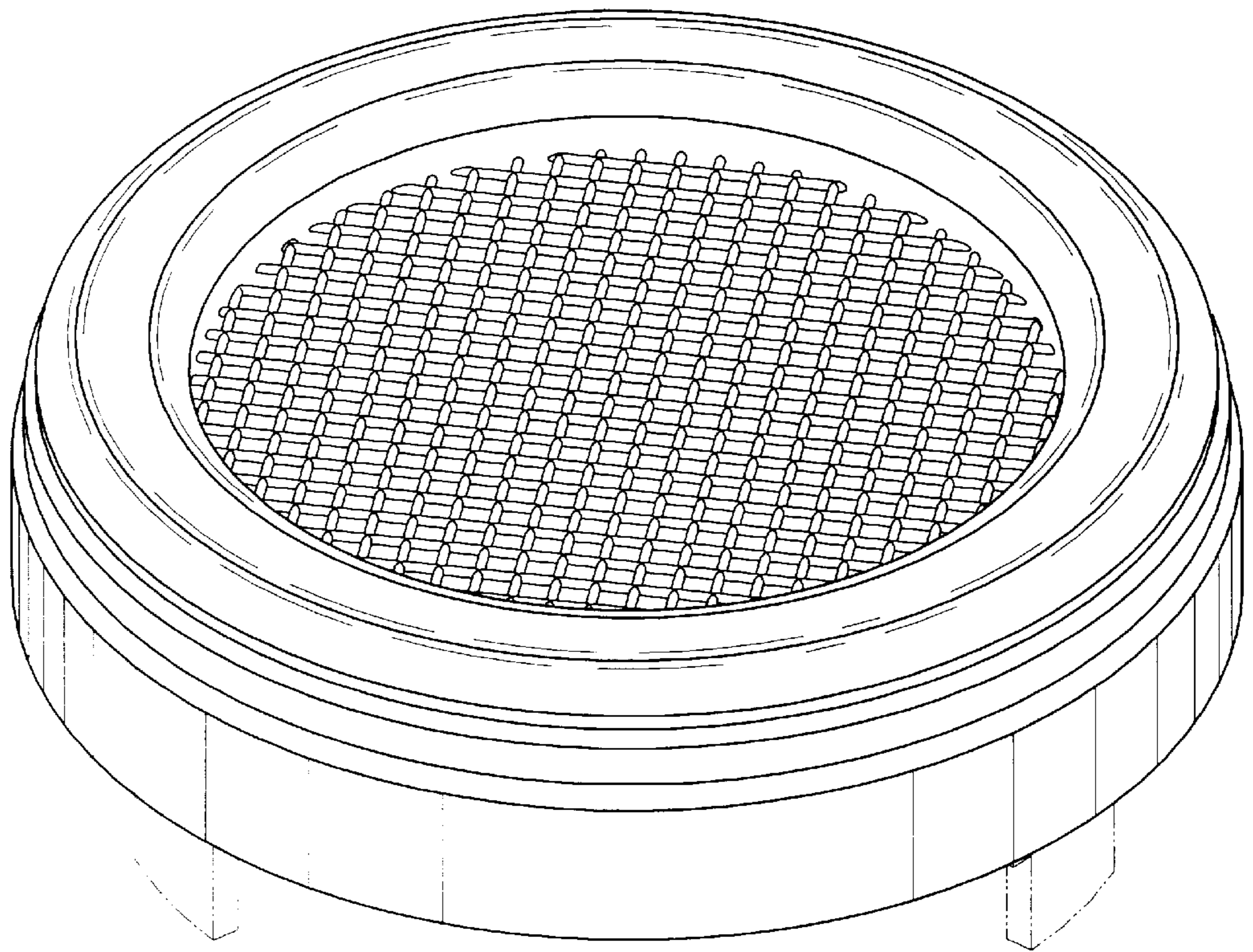


FIG. 9

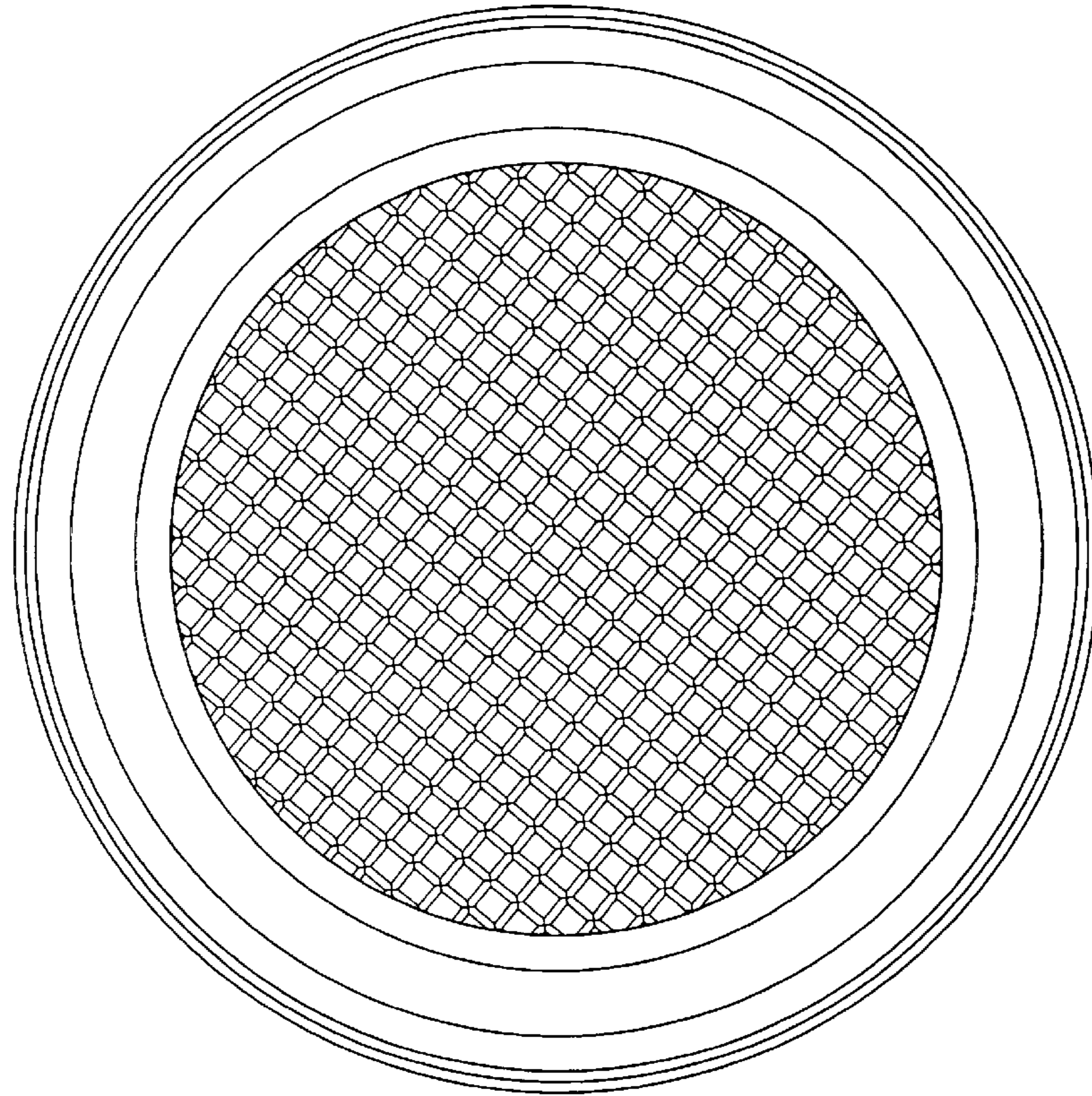


FIG. 10

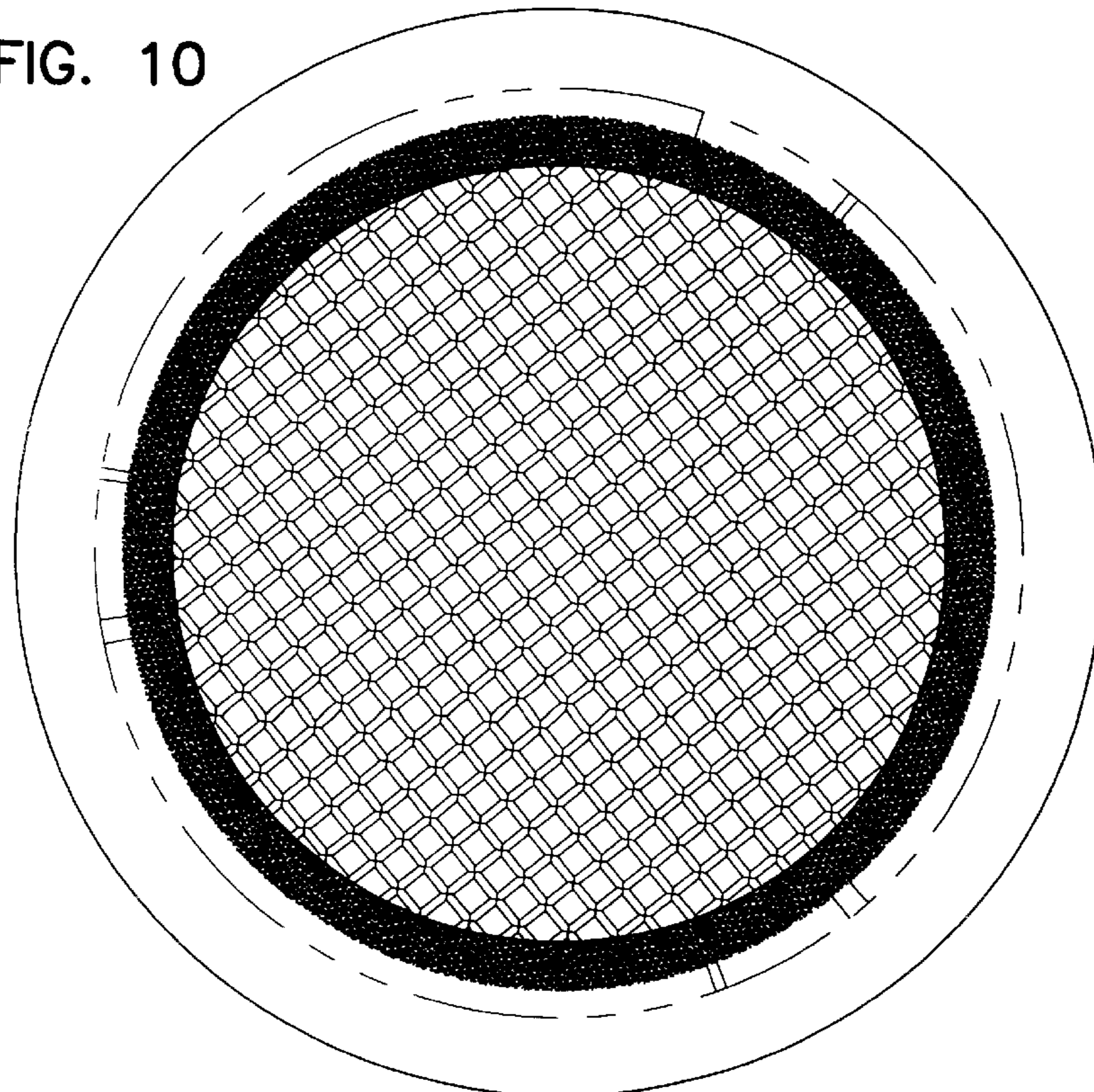


FIG. 11

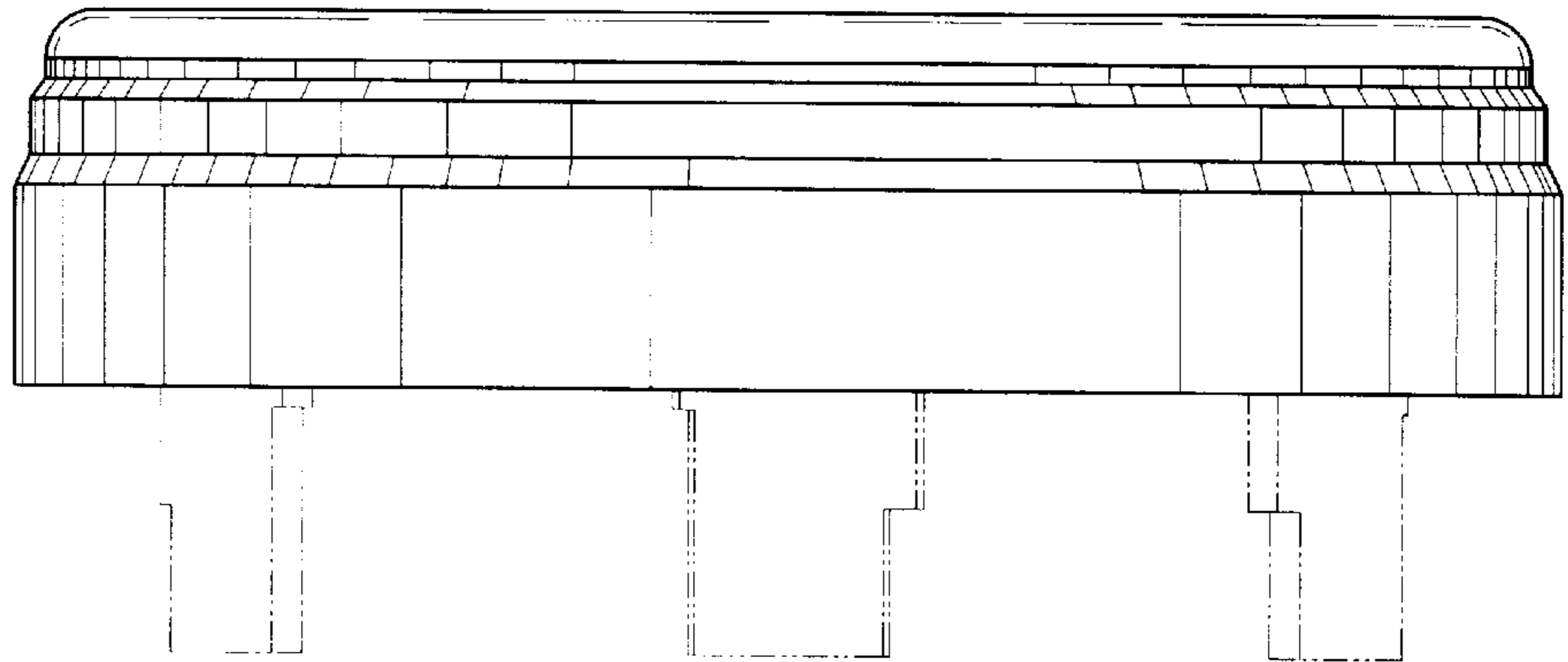


FIG. 12

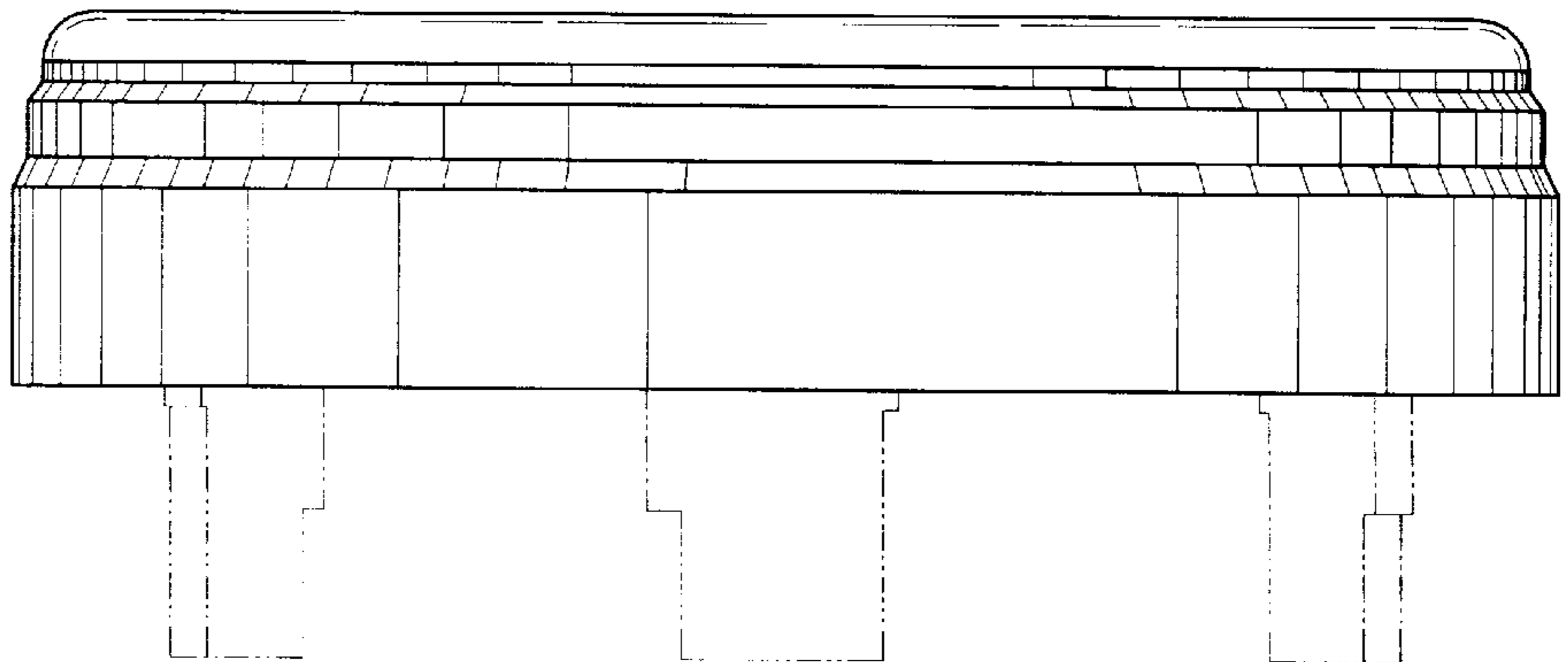


FIG. 13

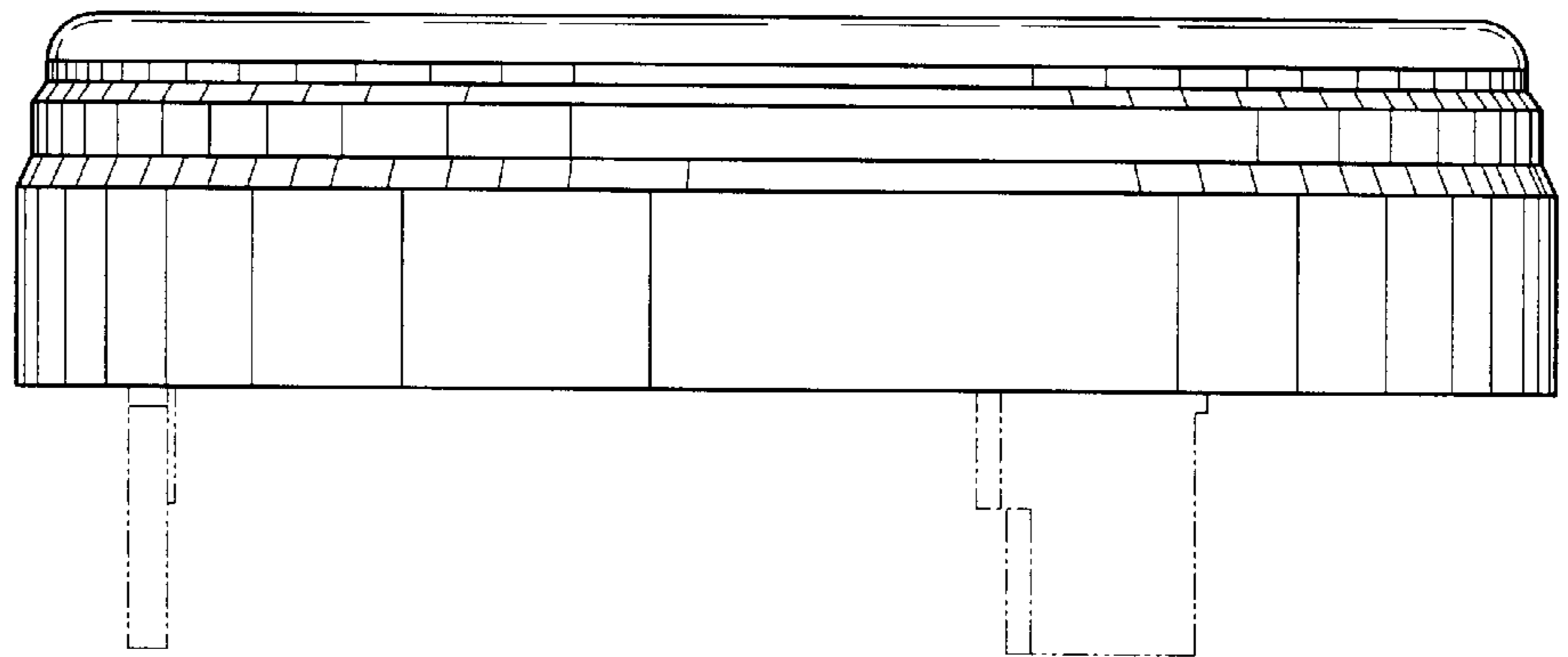


FIG. 14

