



US00D439958S

(12) **United States Design Patent**
Golden

(10) **Patent No.:** **US D439,958 S**

(45) **Date of Patent:** **** Apr. 3, 2001**

(54) **PORTION OF A LAVATORY FOR MOUNTING A DRINKING FOUNTAIN**

(76) Inventor: **William D Golden**, 85 E. Blake Ave., Columbus, OH (US) 43202

(**) Term: **14 Years**

(21) Appl. No.: **29/098,746**

(22) Filed: **Jan. 5, 1999**

(51) **LOC (7) Cl.** **23-02**

(52) **U.S. Cl.** **D23/284**

(58) **Field of Search** D23/284-293.1,
D23/300-311; D7/300-304, 305, 316; 239/17,
28

(56) **References Cited**

U.S. PATENT DOCUMENTS

D. 32,045	*	12/1899	Hamm	D23/308
D. 223,781	*	6/1972	Wright	D7/304
D. 343,330	*	1/1994	Windenburg et al.	D7/304
D. 353,739	*	12/1994	Stein	D7/304
D. 356,229	*	3/1995	Stein	D7/304
D. 366,384	*	1/1996	Stein	D7/304
D. 378,558	*	3/1997	Mullick et al.	D7/304
3,568,928	*	3/1971	Wright	239/28
5,862,984	*	1/1999	Chang	239/17

OTHER PUBLICATIONS

American Standard, Product Selector & Pricing Guide, Fixtures Only, LP-98-5, 31-45, May 15, 1998.

American Standard, Aqualyn Countertop Lavatory, LAV-023, May 1995.

American Standard, Roma Pedestal Lavatory, LAV005, May 1995.

American Standard, Antiquity Countertop Lavatory, LAV-020, May 1995.

American Standard, Colony Pedestal Lavatory, LAV-013, May 1995.

* cited by examiner

Primary Examiner—Doris Clark

(74) *Attorney, Agent, or Firm*—Standley & Gilcrest LLP

(57) **CLAIM**

The ornamental design for a portion of a lavatory mounting a drinking fountain, as shown and described above.

DESCRIPTION

FIG. 1 is a top plan view of the present invention which shows a lavatory portion designed to accommodate a drinking fountain;

FIG. 2 is a side view in partial cross-section of the lavatory portion of FIG. 1;

FIG. 3 is an enlarged view of the partial cross-section of FIG. 2;

FIG. 4 is an enlarged end view showing the lavatory portion of FIG. 1;

FIG. 5 is another top plan view of the lavatory portion of FIG. 1;

FIG. 6 is a second embodiment of the lavatory portion of FIG. 5, the only difference being the multiple raised surfaces in front of the fountain mounting area;

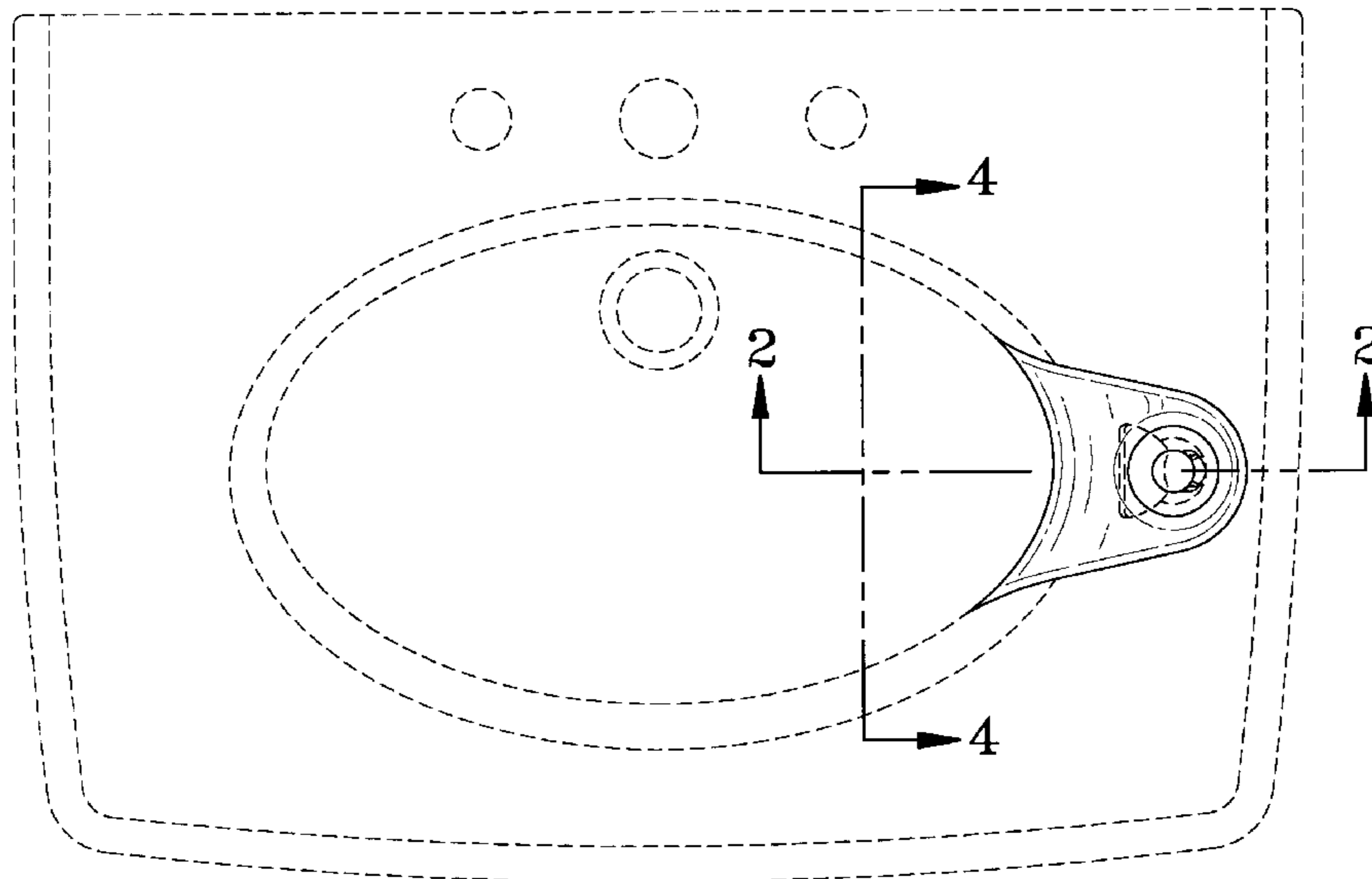
FIG. 7 is a side view in partial cross-section of the lavatory portion of FIG. 6;

FIG. 8 is a top plan view of another embodiment of the present invention which shows a lavatory portion designed to accommodate a drinking fountain, but wherein the lavatory portion is somewhat smaller than the lavatory portion shown in FIGS. 1-7; and,

FIG. 9 is another top plan view of the lavatory portion of FIG. 8.

The broken line showing a lavatory is for illustrative purposes only and forms no part of the claimed design.

1 Claim, 6 Drawing Sheets



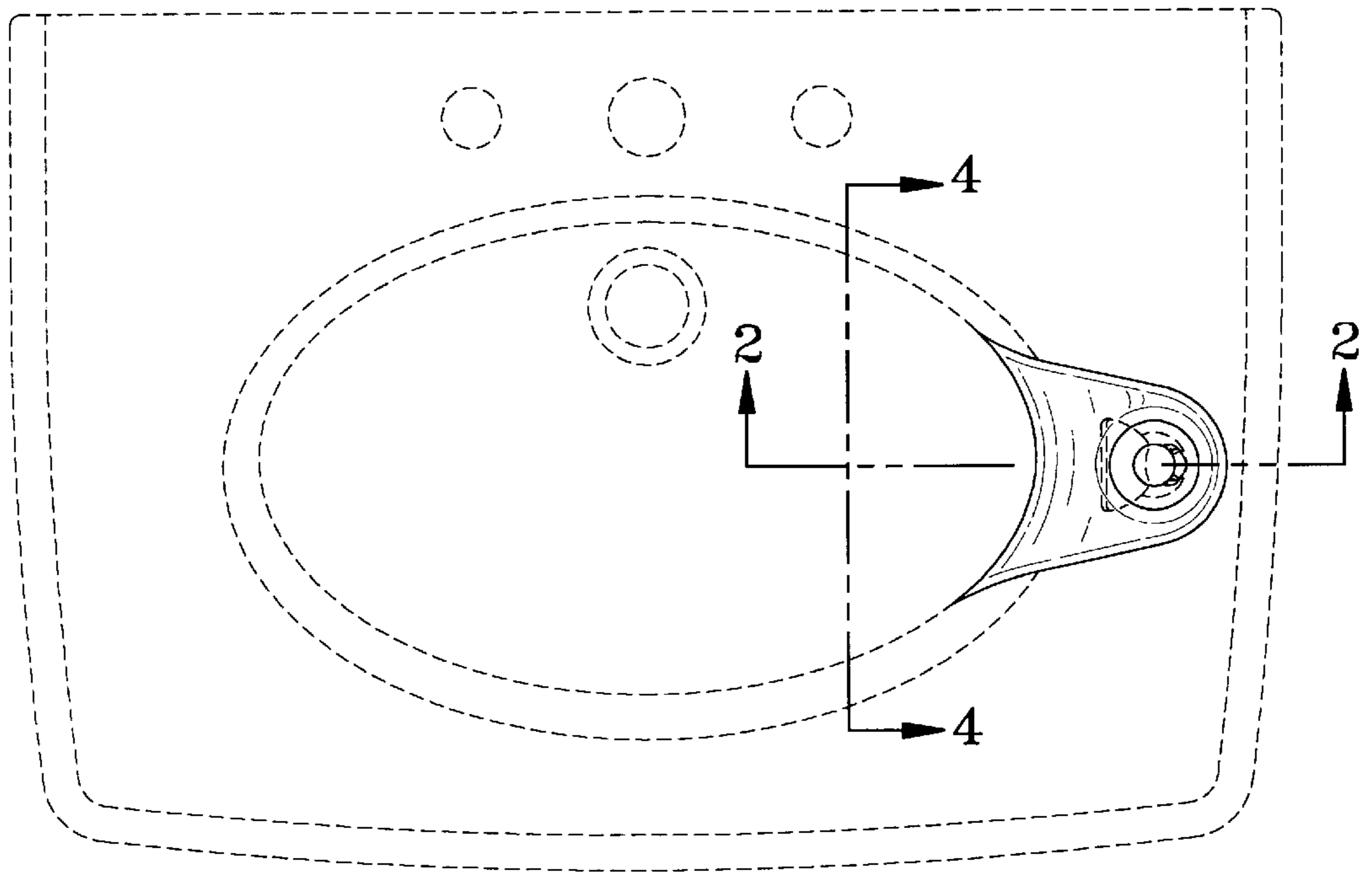


FIG-1

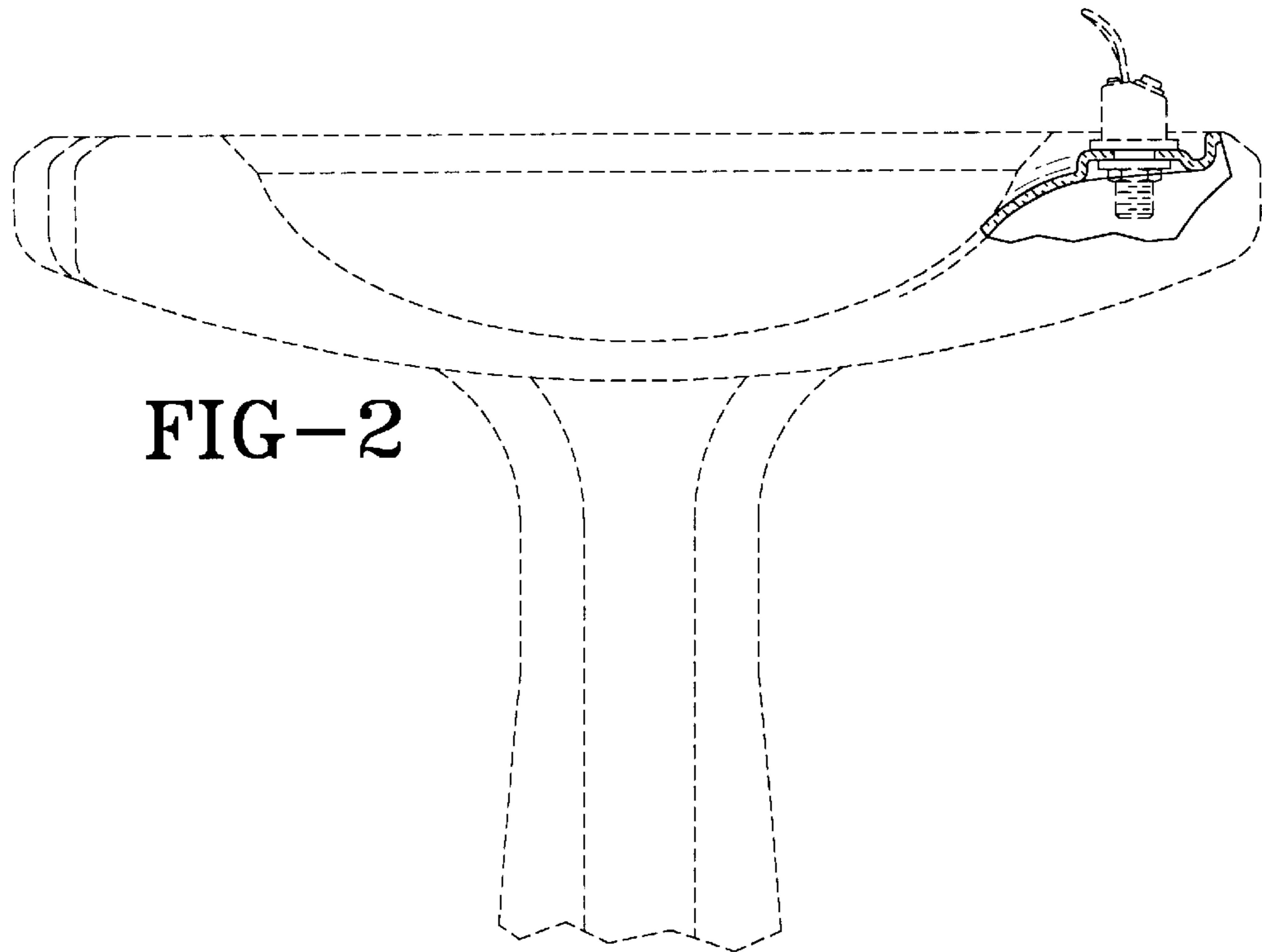


FIG-2

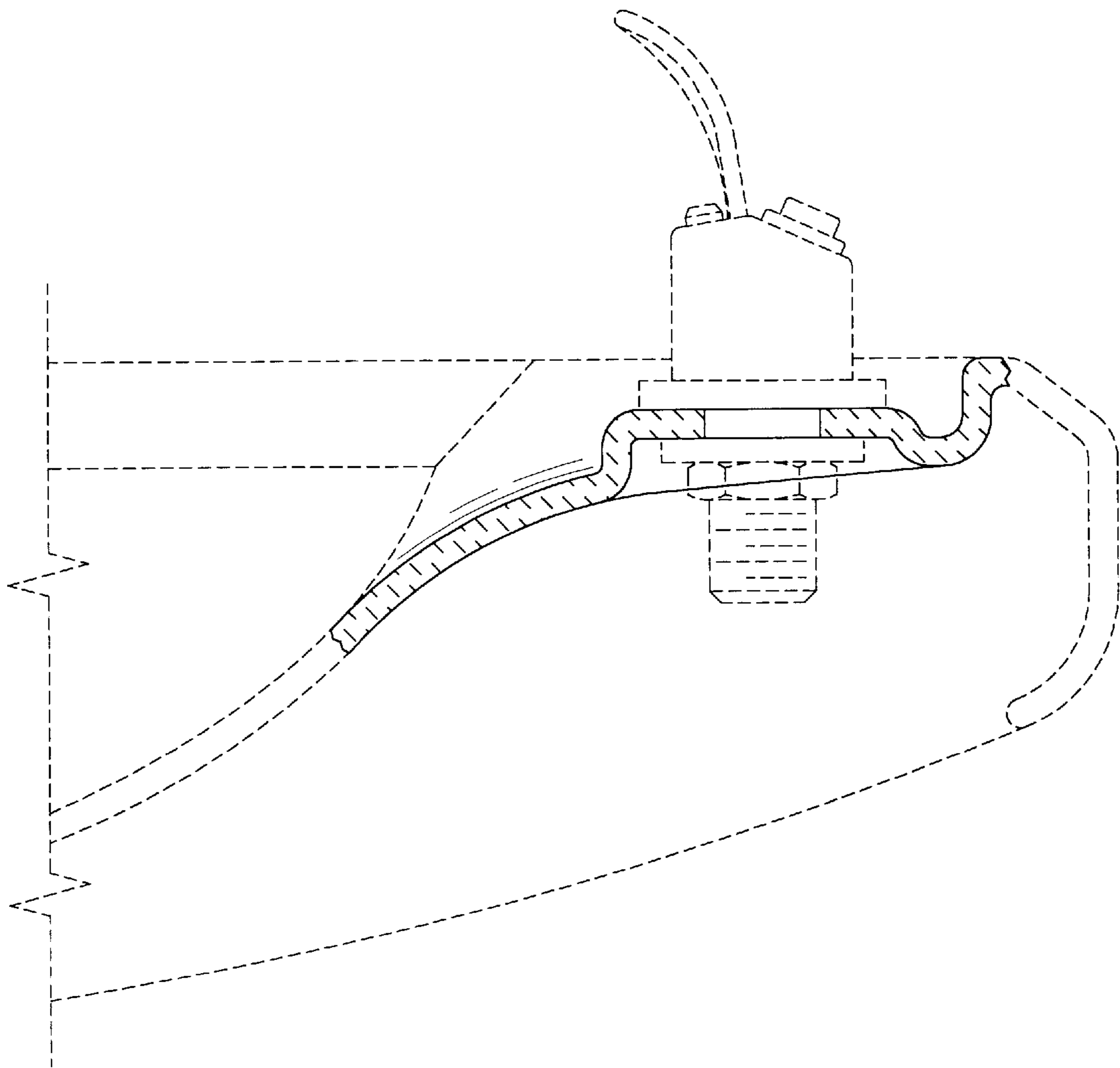


FIG-3

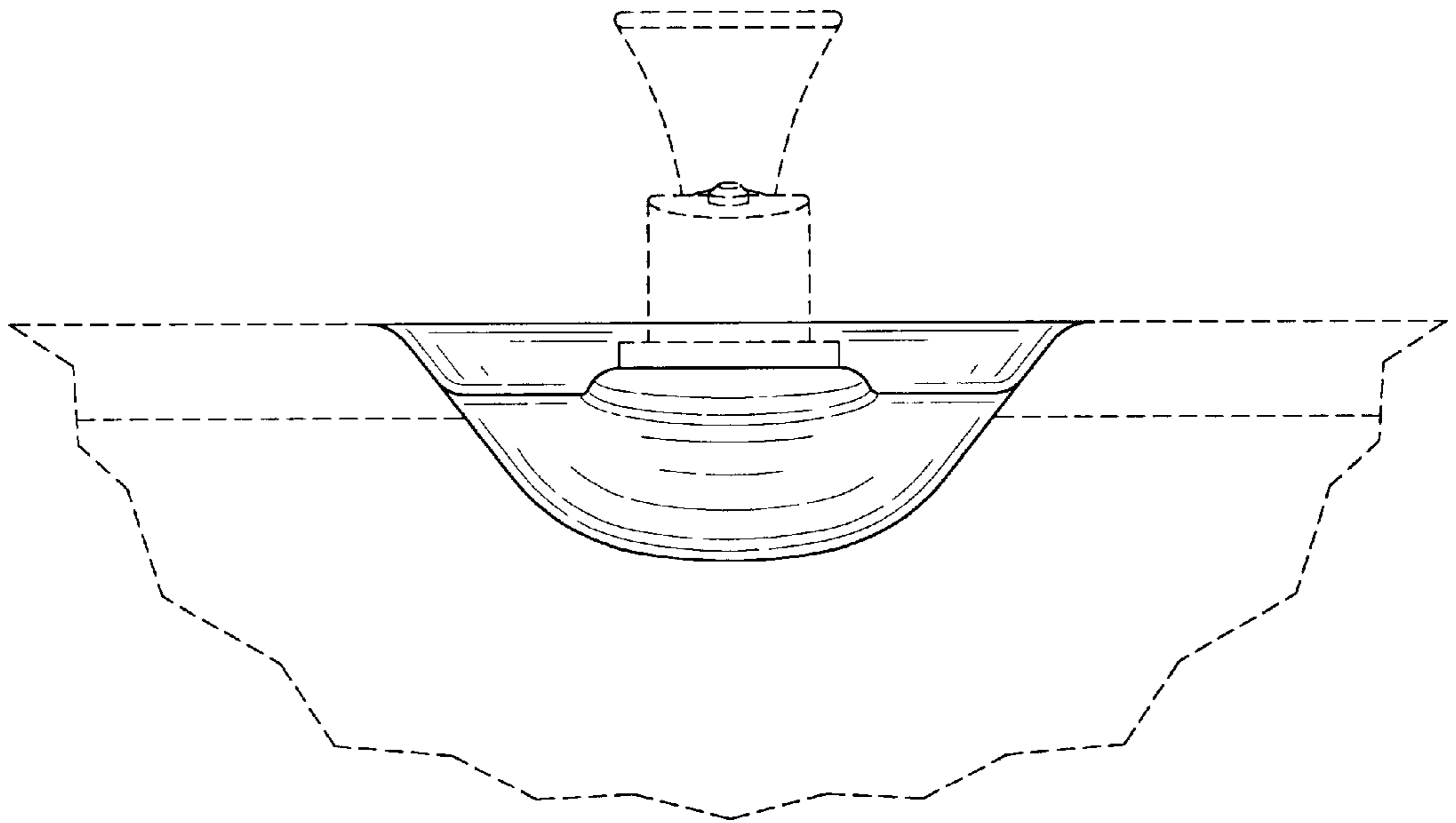


FIG-4

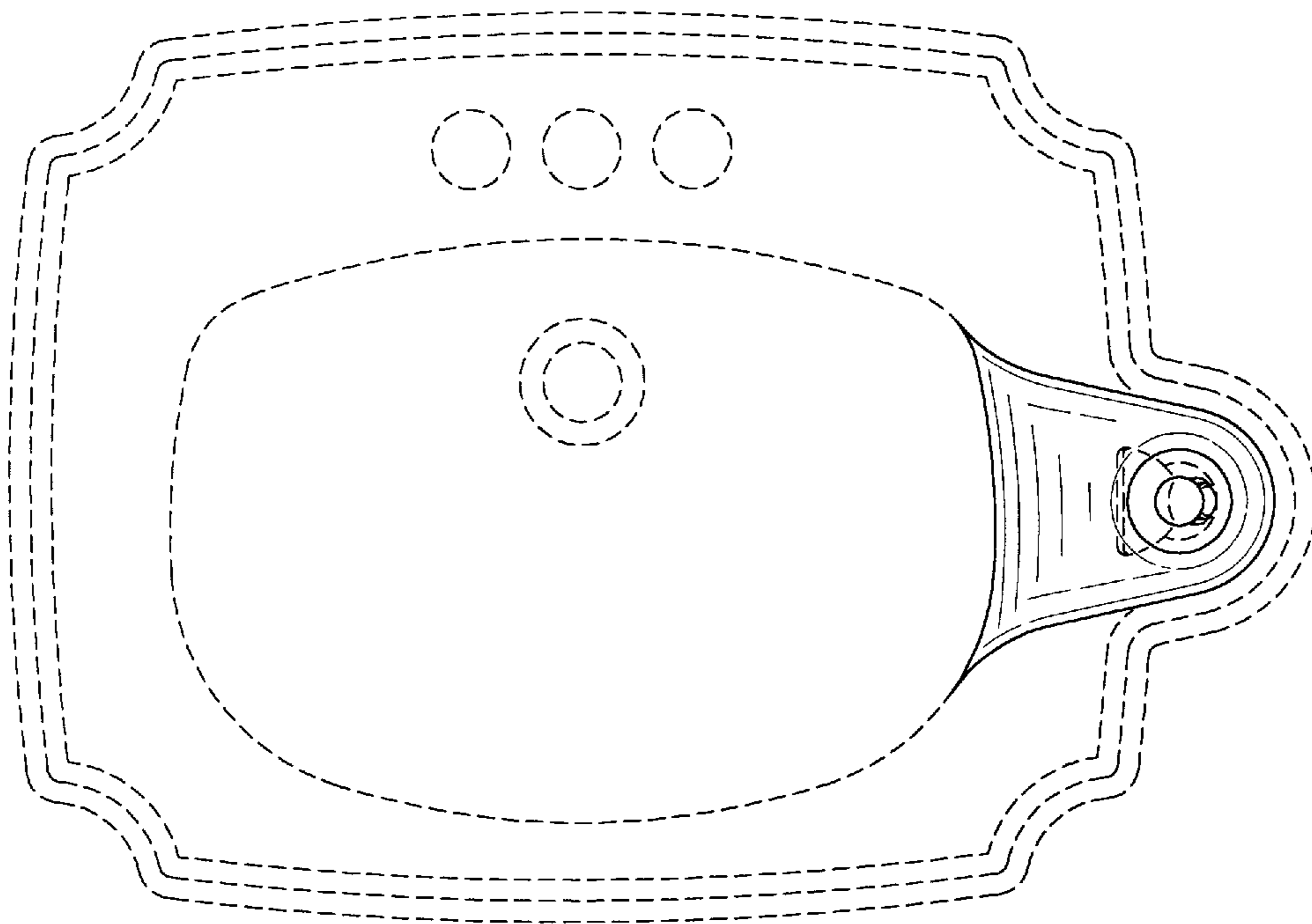


FIG-5

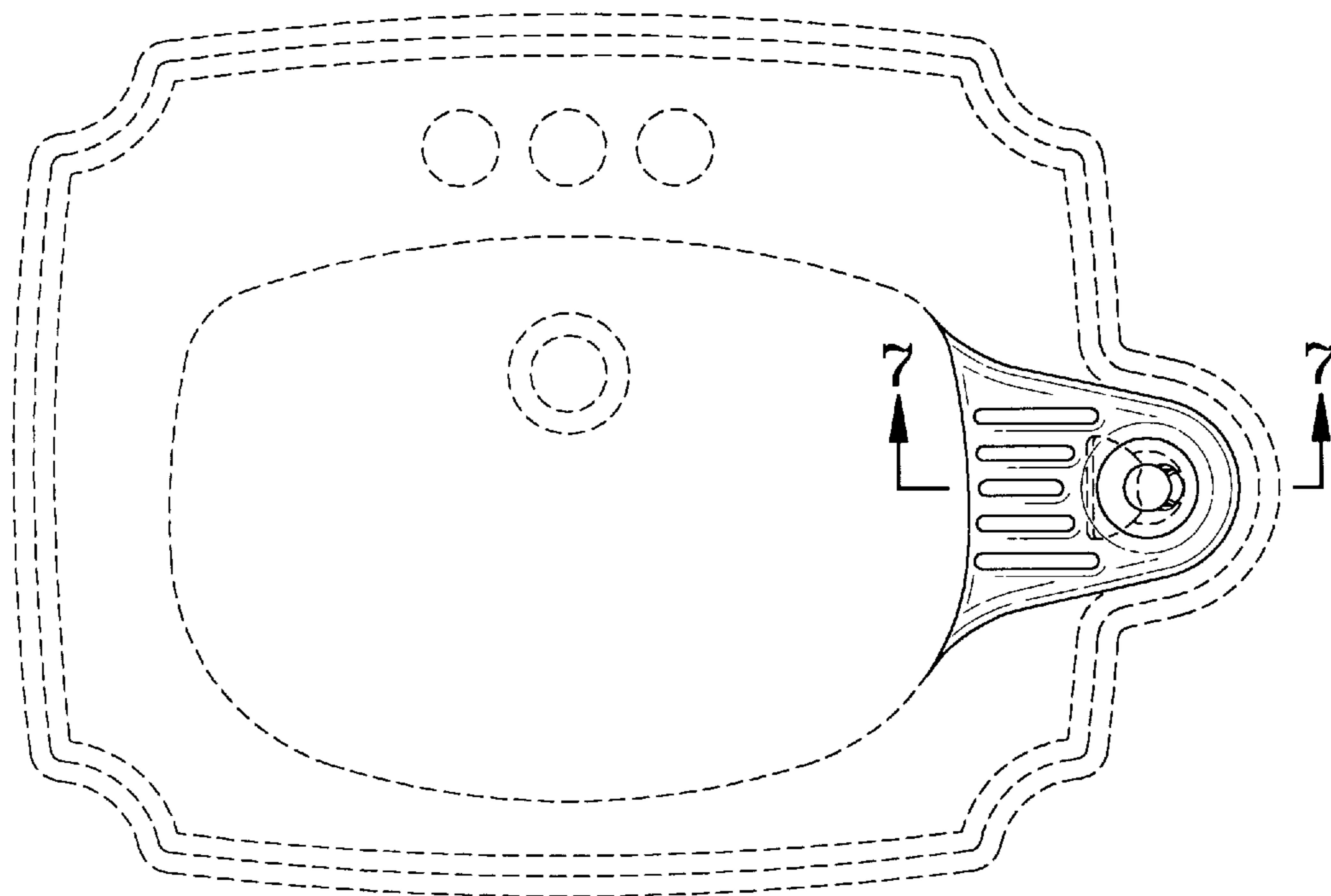


FIG-6

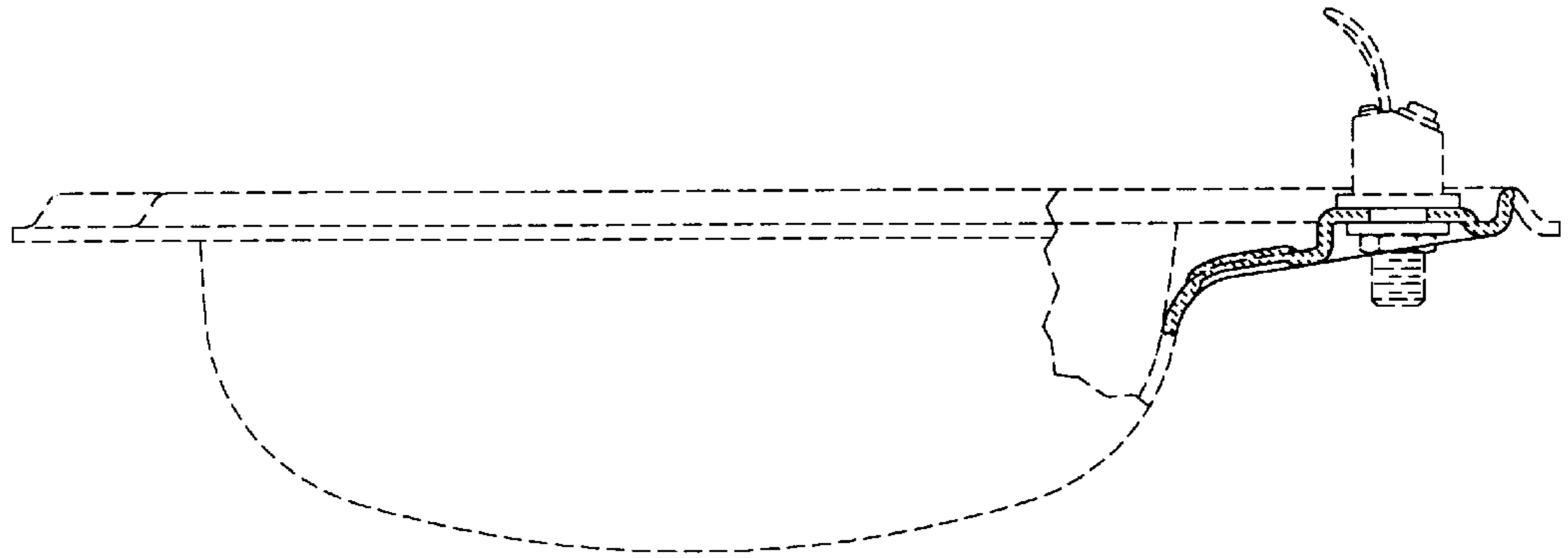


FIG-7

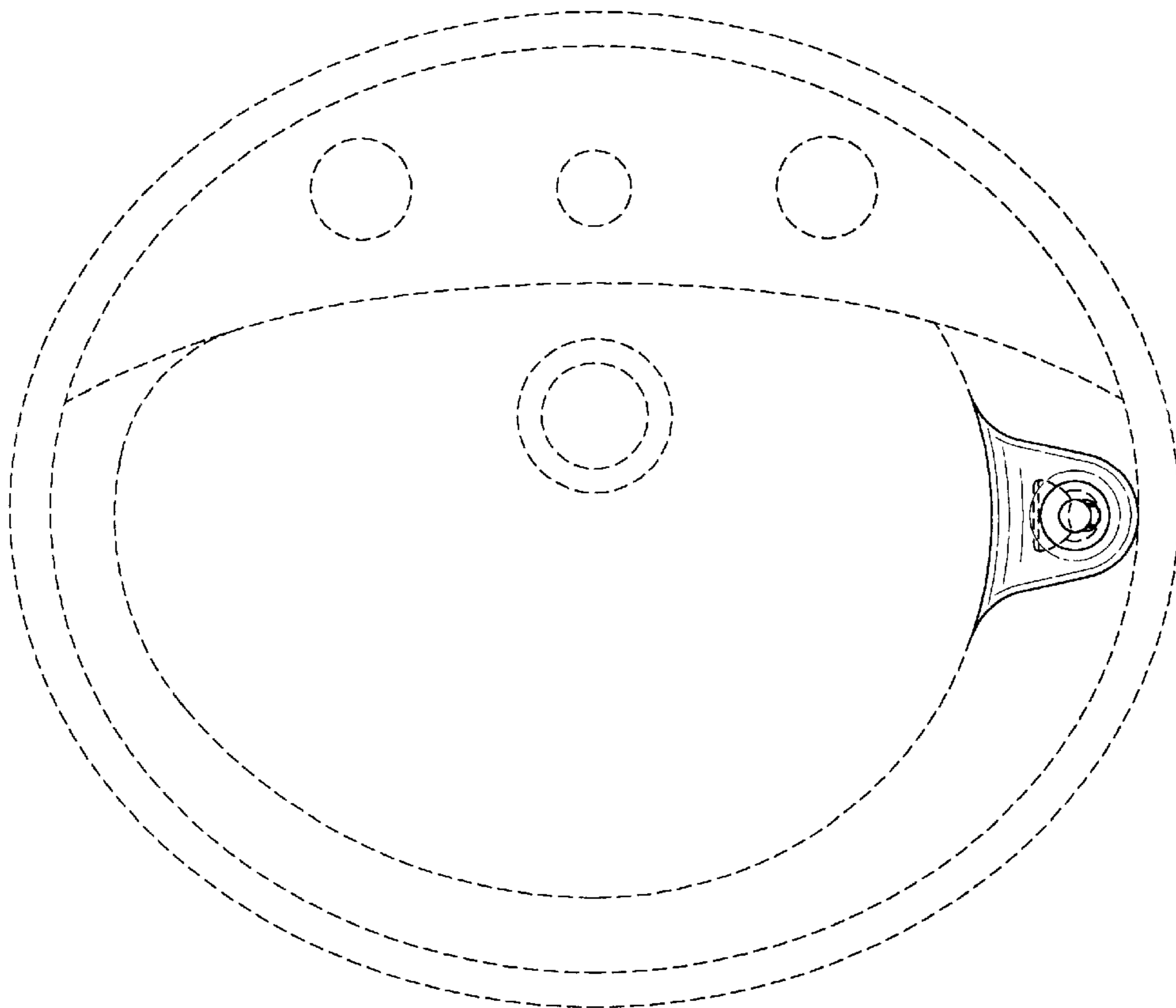


FIG-8

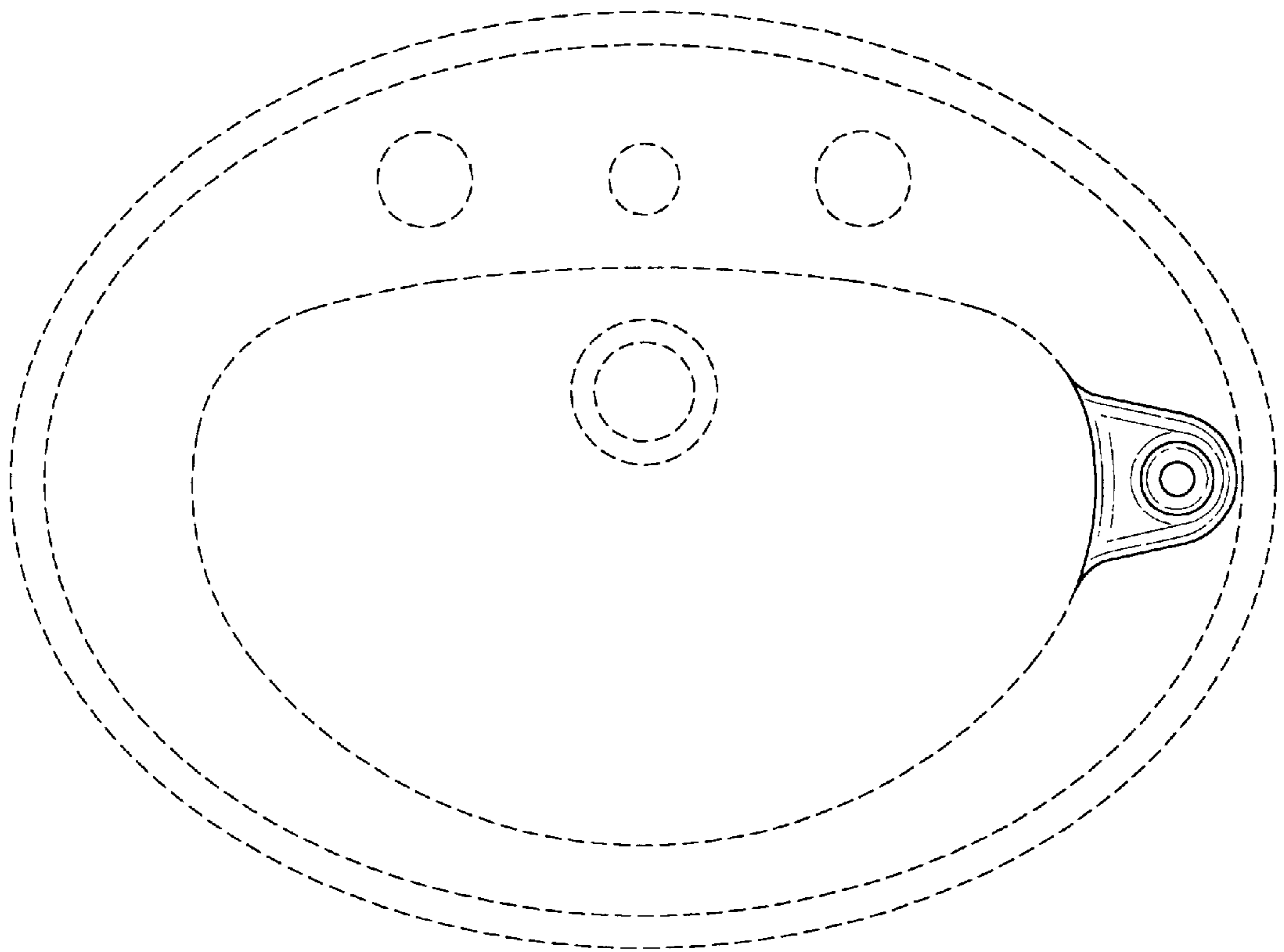


FIG-9