



US00D439955S

(12) **United States Design Patent**
Spangler

(10) **Patent No.:** **US D439,955 S**

(45) **Date of Patent:** **** *Apr. 3, 2001**

(54) **FAUCET HANDLE BASE**

(75) **Inventor:** **Anthony G. Spangler**, Greensburg, IN (US)

(73) **Assignee:** **Masco Corporation of Indiana**, Indianapolis, IN (US)

(*) **Notice:** This patent is subject to a terminal disclaimer.

(**) **Term:** **14 Years**

(21) **Appl. No.:** **29/116,182**

(22) **Filed:** **Dec. 23, 1999**

(51) **LOC (7) Cl.** **23-01**

(52) **U.S. Cl.** **D23/252**

(58) **Field of Search** D23/238-243, D23/249, 250-254; D8/308, 321, DIG. 2, 300, 303; 4/675-678; 16/110 R; 137/801

(56) **References Cited**

U.S. PATENT DOCUMENTS

- D. 280,008 * 8/1985 Miller et al. D23/241
- D. 285,106 * 8/1986 Yost D23/252
- D. 318,717 * 7/1991 Spangler D23/252
- D. 327,532 * 6/1992 Ko D23/252
- D. 340,763 * 10/1993 Bonnell D23/250
- D. 365,384 * 12/1995 Robbins D23/252

- D. 402,003 * 12/1998 Milrud et al. D23/250
- D. 404,470 * 1/1999 Pitsch et al. D23/252
- D. 419,647 * 1/2000 Warshawsky D23/252

* cited by examiner

Primary Examiner—Louis S. Zarfes

Assistant Examiner—Gregory Andoll

(74) *Attorney, Agent, or Firm*—Myron B. Kapustij; Lloyd D. Doigan

(57) **CLAIM**

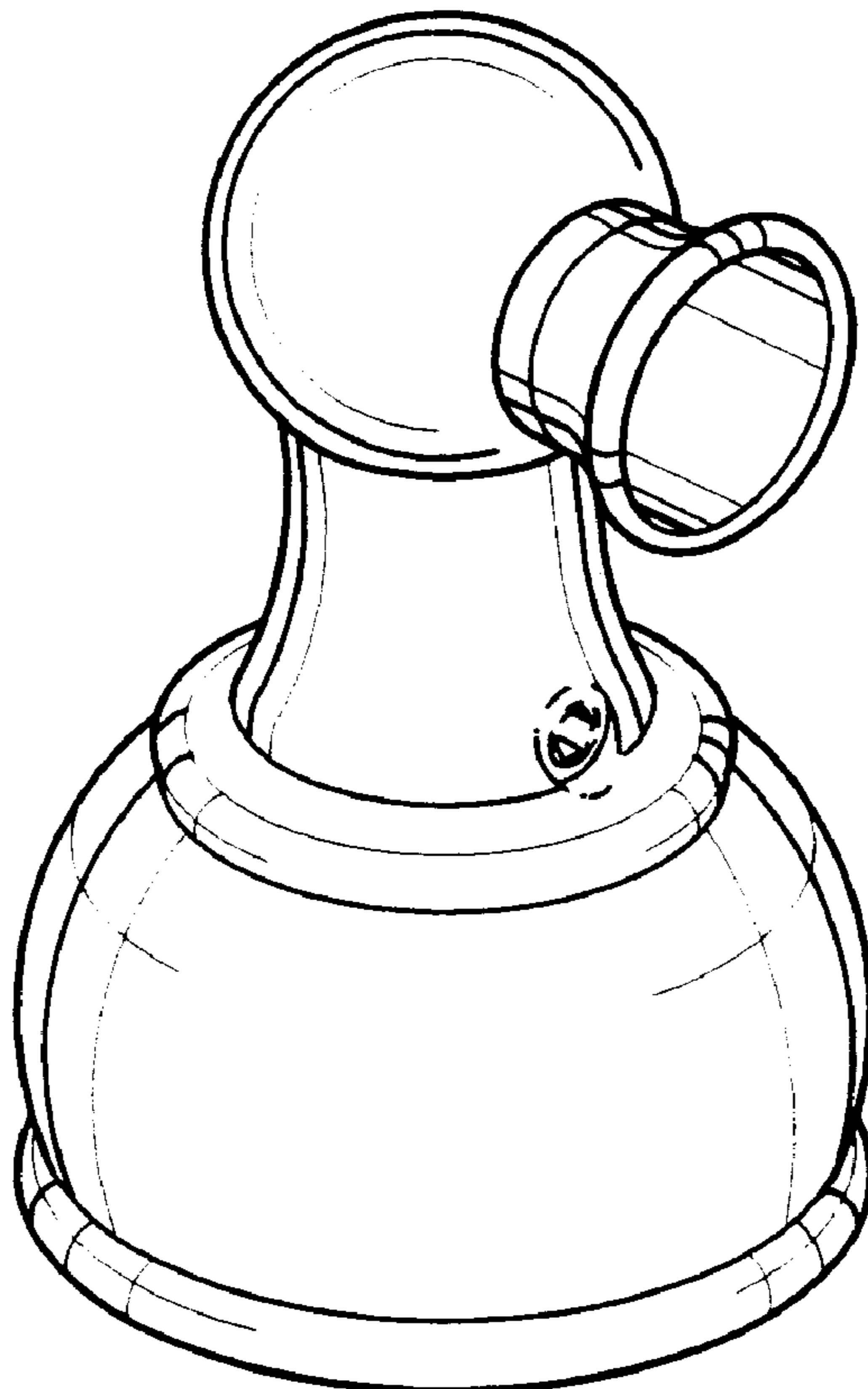
The ornamental design for a faucet handle base, as shown and described.

DESCRIPTION

FIG. 1 is a perspective view of the faucet handle base showing my new design;
 FIG. 2 is a right side elevational view thereof;
 FIG. 3 is a left side elevational view thereof;
 FIG. 4 is a front elevational view thereof, the rear being a mirror image of the front shown;
 FIG. 5 is a top plan view thereof; and,
 FIG. 6 is a bottom plan view thereof.

The broken line showings of the tail piece, handle blade and filial in FIG. 4, of the set screw in FIGS. 1 and 2 of the tail piece aperture in FIG. 3, and of part of the bottom in FIG. 6 are for purposes of illustration only and form no part of the claimed design.

1 Claim, 2 Drawing Sheets



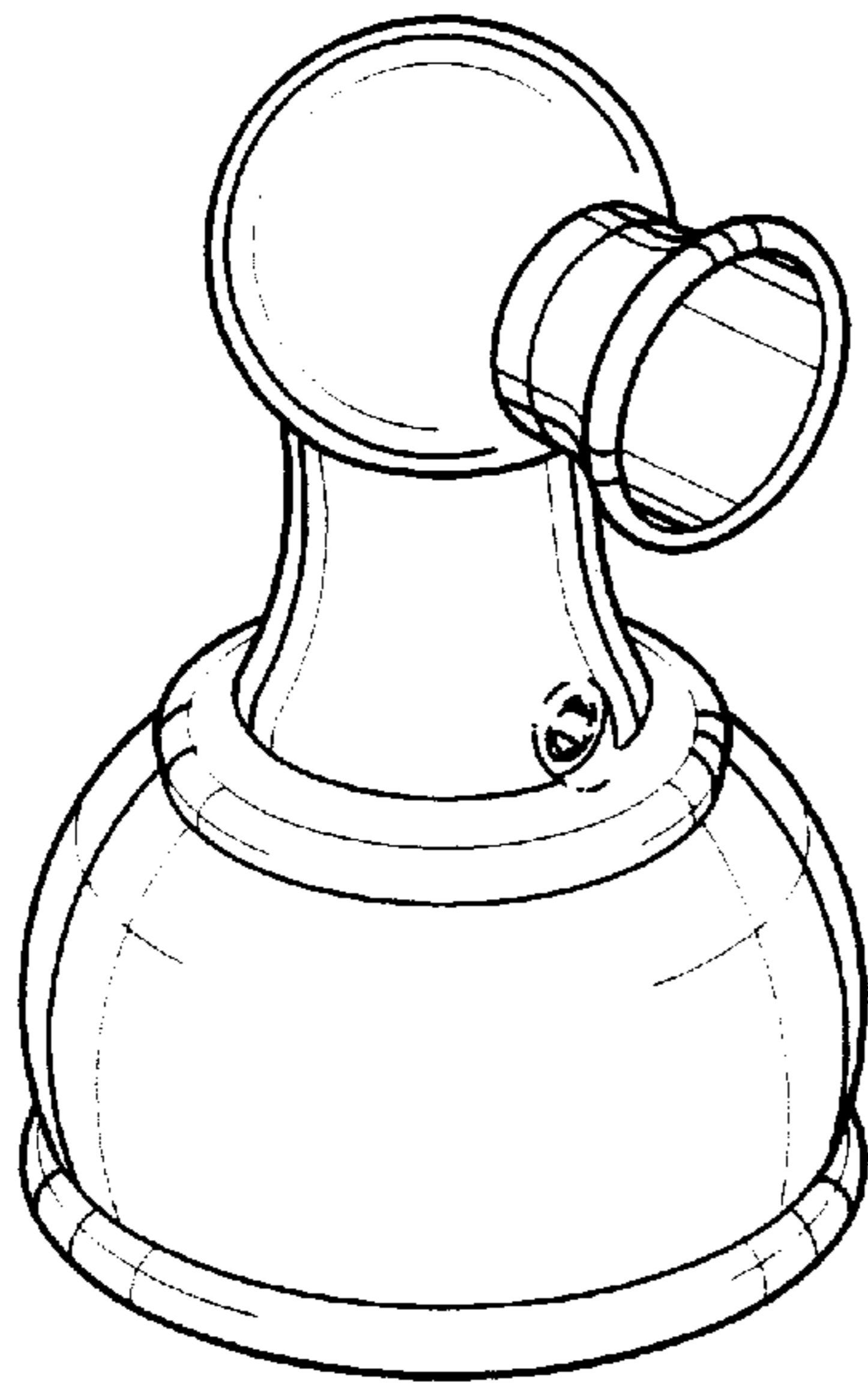


Fig-1

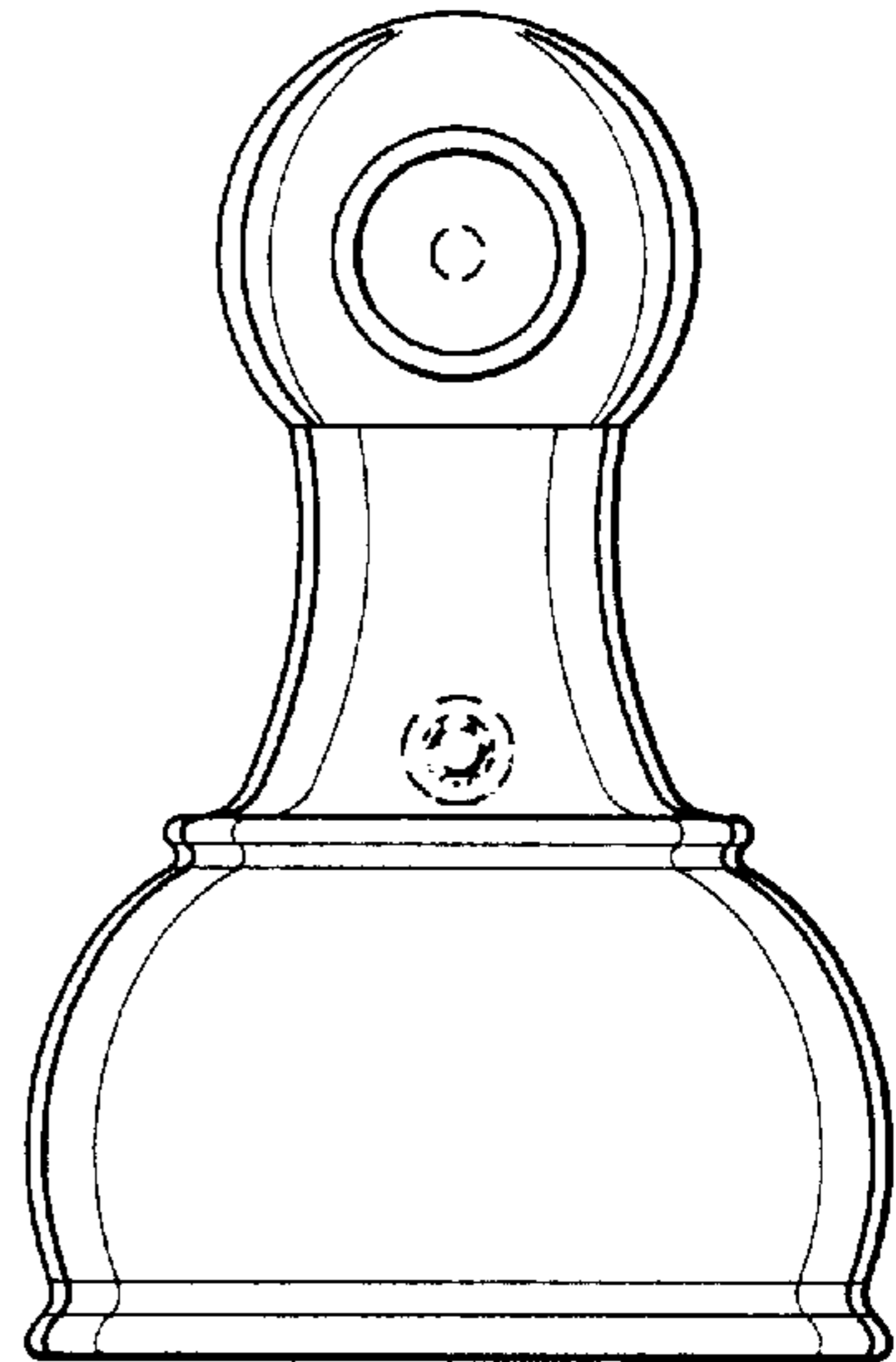


Fig-2

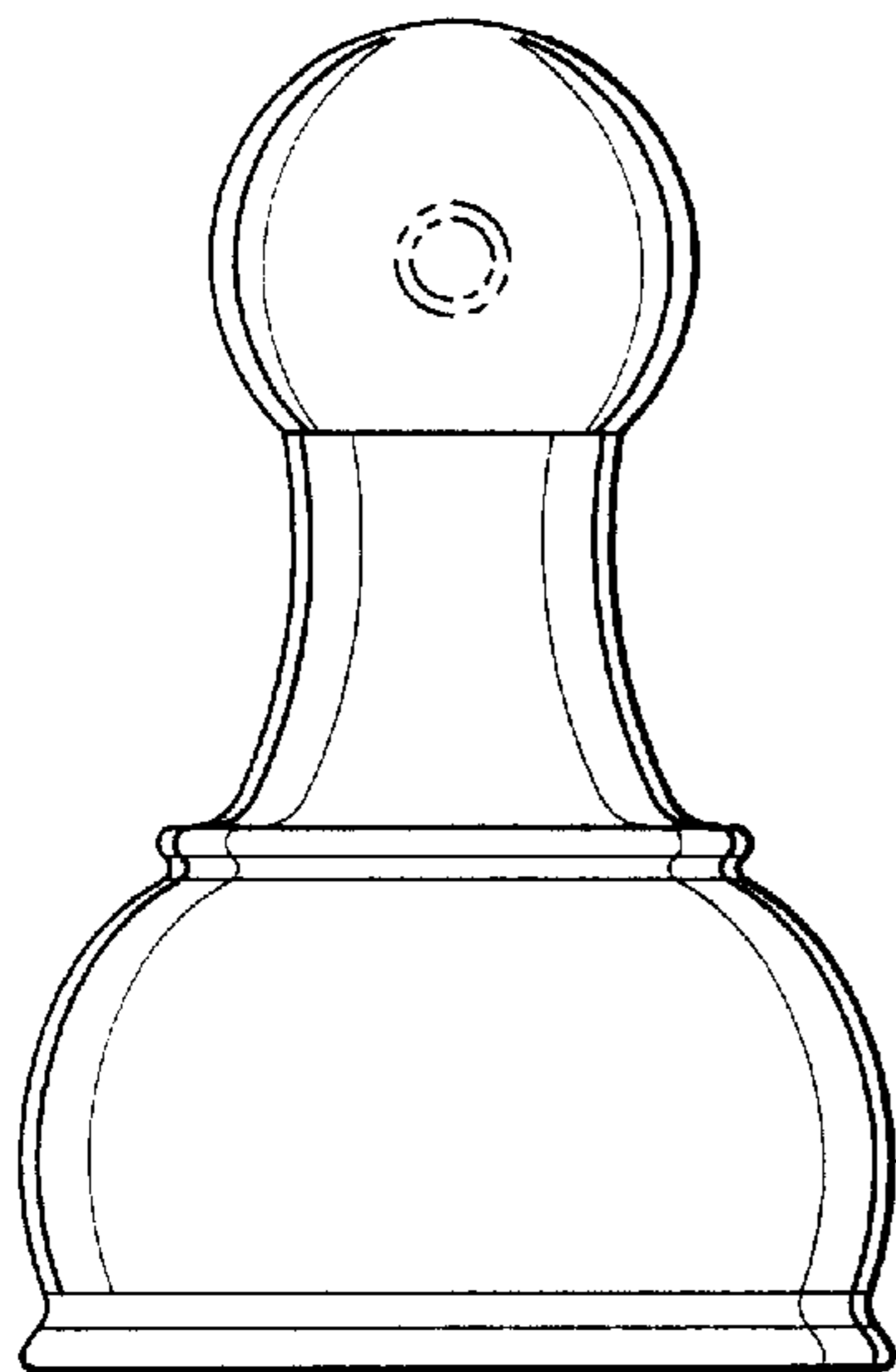


Fig-3

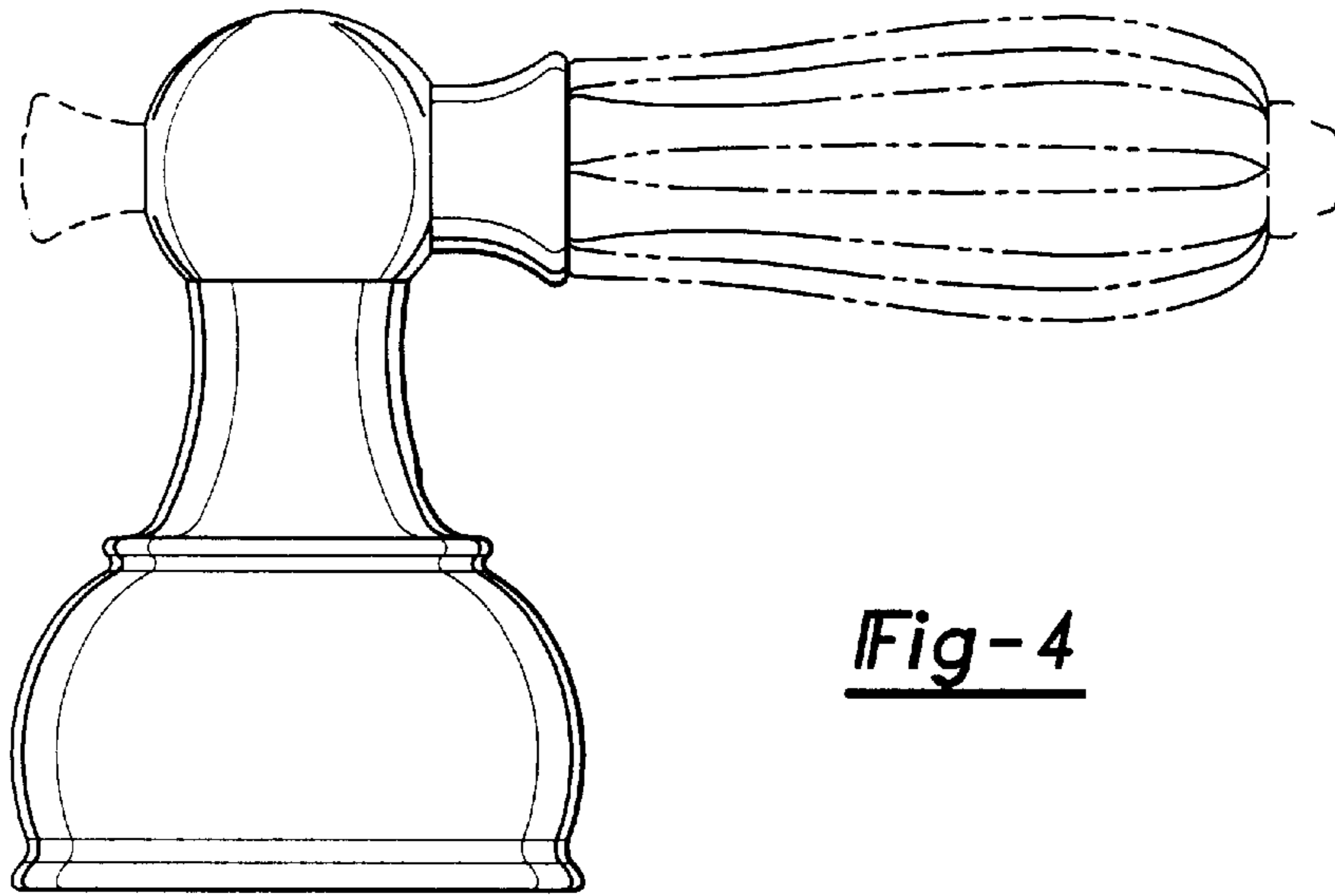


Fig-4

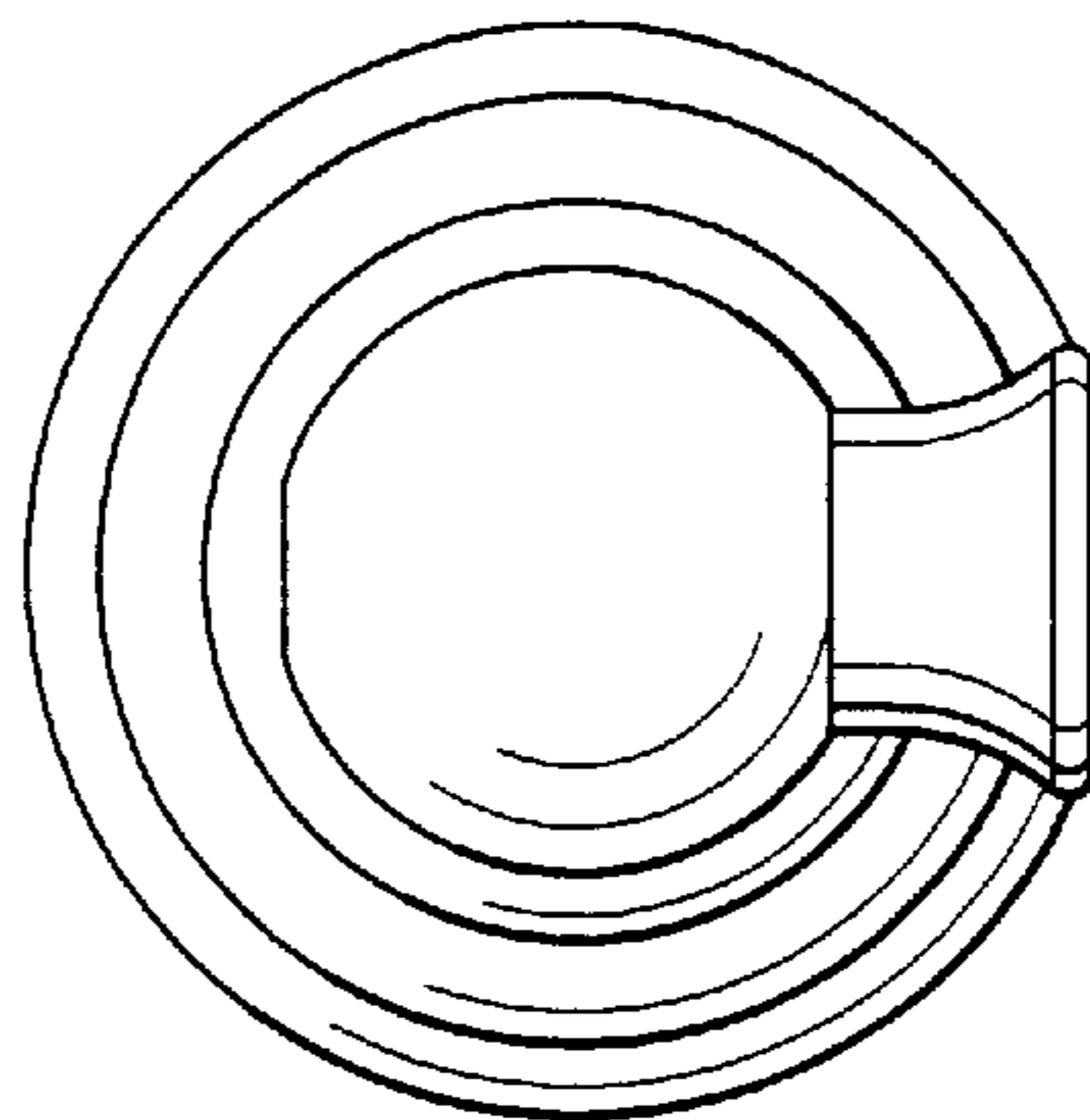


Fig-5

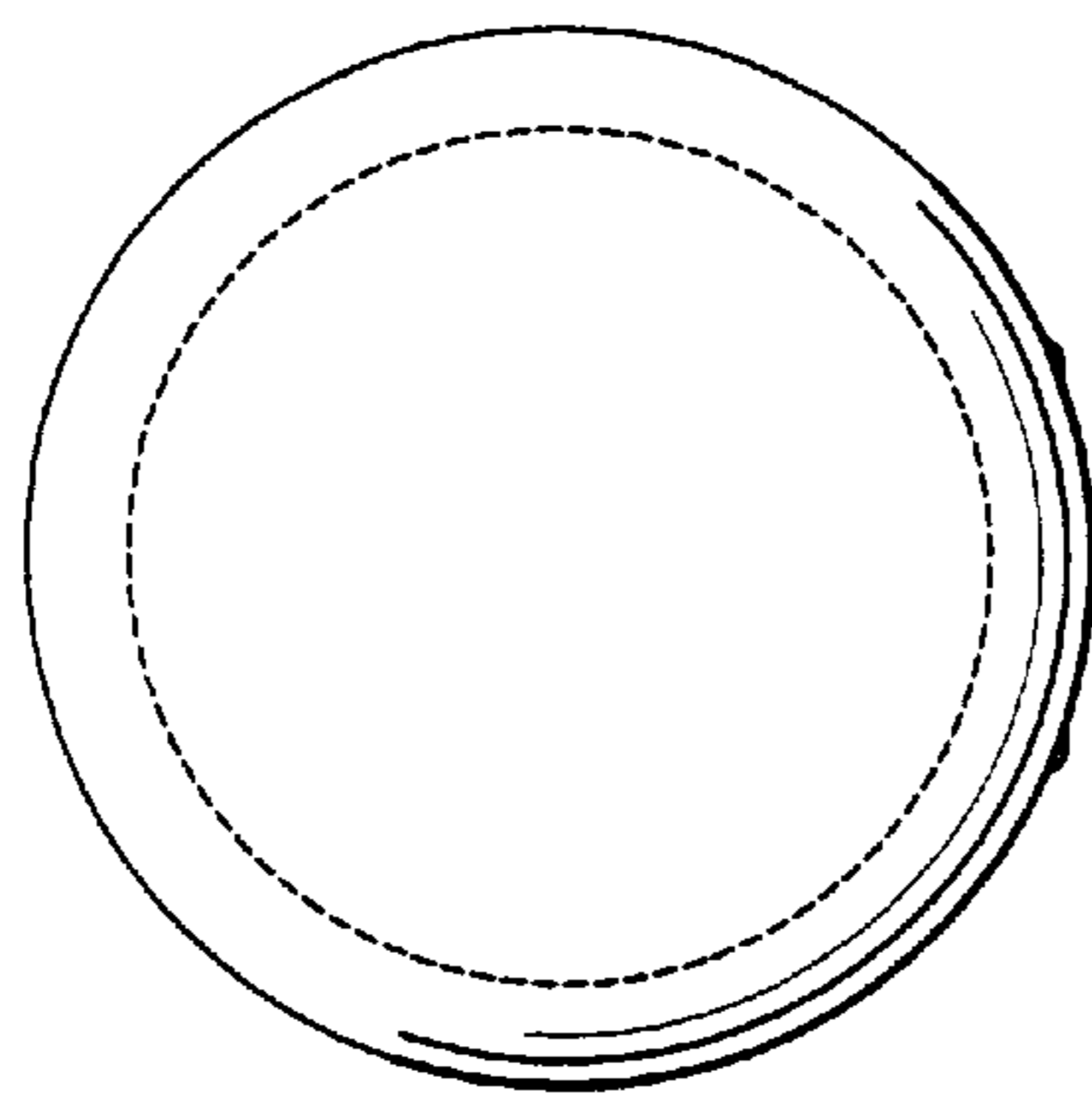


Fig-6