



US00D439953S

(12) **United States Design Patent**  
**Lord**

(10) **Patent No.: US D439,953 S**

(45) **Date of Patent: \*\* \*Apr. 3, 2001**

(54) **FAUCET**

(75) **Inventor: Judd A. Lord, Carmel, IN (US)**

(73) **Assignee: Masco Corporation of Indiana, Indianapolis, IN (US)**

(\* ) **Notice:** This patent is subject to a terminal disclaimer.

(\*\* ) **Term: 14 Years**

(21) **Appl. No.: 29/117,604**

(22) **Filed: Jan. 27, 2000**

(51) **LOC (7) Cl. .... 23-01**

(52) **U.S. Cl. .... D23/241**

(58) **Field of Search .... D23/230-257; D8/301-308, 310; 4/675-678; 137/801**

(56) **References Cited**

**U.S. PATENT DOCUMENTS**

- D. 60,347 \* 2/1922 Kersten ..... D23/241
- D. 207,044 \* 2/1967 Hurwitz ..... D23/241
- D. 276,259 11/1984 Miller .
- D. 288,835 3/1987 Yost .
- D. 293,362 12/1987 Hill et al. .
- D. 295,551 5/1988 Yost .
- D. 318,906 8/1991 Spangler .
- D. 320,645 10/1991 Knapp et al. .
- D. 321,750 11/1991 Spangler .
- D. 355,578 \* 2/1995 Mark et al. .... D8/308
- D. 357,525 \* 4/1995 Fabian ..... D23/252
- D. 363,536 10/1995 Hill et al. .
- D. 363,766 10/1995 Hill et al. .
- D. 363,974 \* 11/1995 Doughty et al. .... D23/241
- D. 364,218 11/1995 Hill et al. .
- D. 364,219 11/1995 Hill et al. .
- D. 364,220 11/1995 Hill et al. .

- D. 365,384 \* 12/1995 Robbins ..... D23/252
- D. 366,099 1/1996 Hill et al. .
- D. 367,701 3/1996 Hill et al. .
- D. 367,920 3/1996 Hill et al. .
- D. 374,709 \* 10/1996 Doughty et al. .... D23/249
- D. 392,720 \* 3/1998 Doughty et al. .... D23/250
- D. 418,578 \* 1/2000 Warshawsky et al. .... D23/241

**OTHER PUBLICATIONS**

Kohler K-500 Design Manual, p. 40 Taboret Faucet, Oct. 1990.\*

Delta 1994 Full-Line Price List, (c) 1994 Masco Corporation of Indiana, pp. 14, 21-22, 26-27, 44-45.

\* cited by examiner

*Primary Examiner*—Louis S. Zarfaz

*Assistant Examiner*—Greg Andoll

(74) *Attorney, Agent, or Firm*—Myron B. Kapustij; Lloyd D. Doigan

(57) **CLAIM**

The ornamental design for a faucet, as shown and described.

**DESCRIPTION**

FIG. 1 is a rear perspective view of the faucet showing my new design;

FIG. 2 is a front perspective view thereof;

FIG. 3 is a right side elevational view thereof, the left side being a mirror image;

FIG. 4 is a front elevational view thereof;

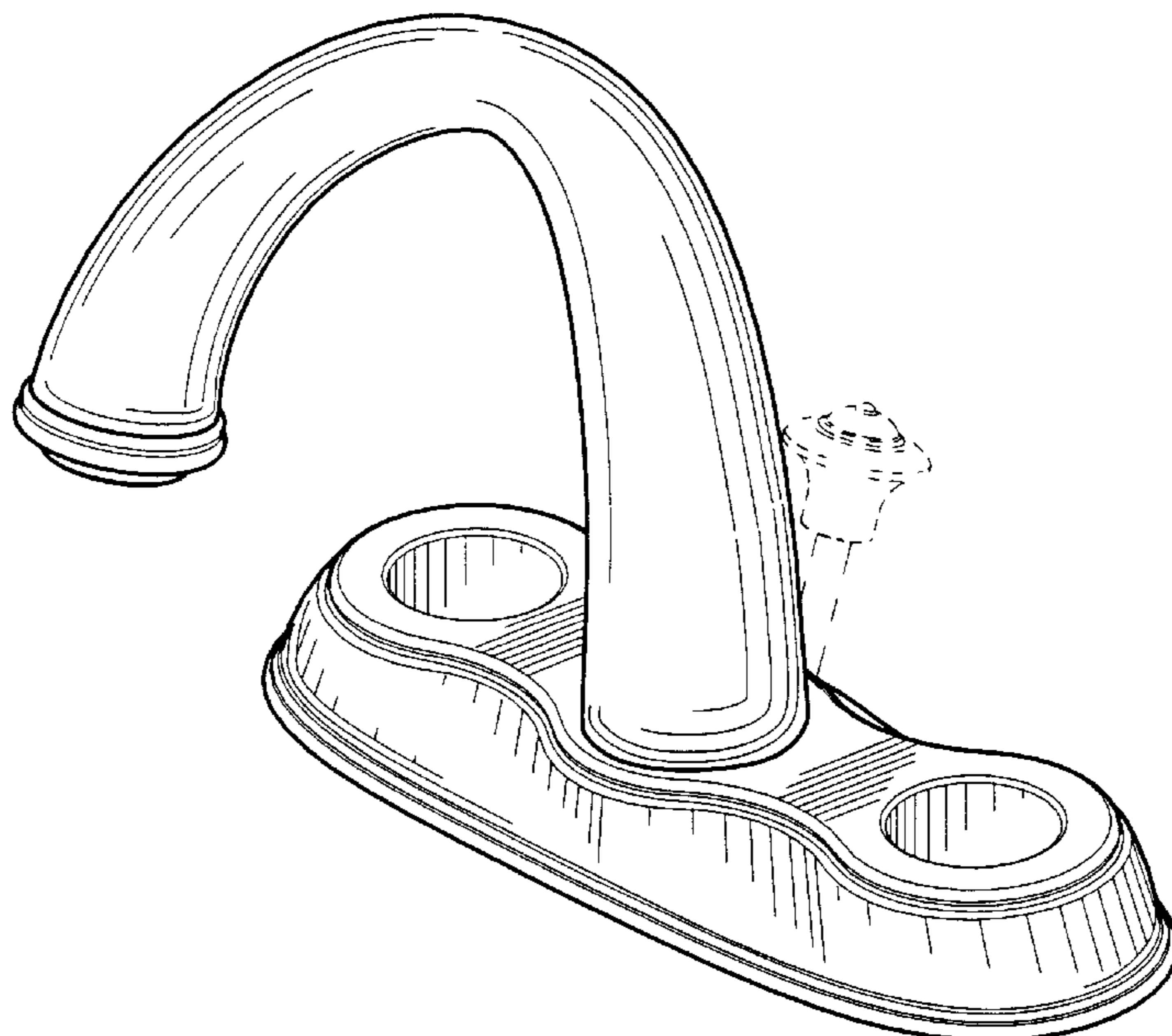
FIG. 5 is a top plan view thereof;

FIG. 6 is a rear elevational view thereof; and,

FIG. 7 is a bottom plan view thereof.

The broken line showing of the lift rod in FIG. 2 and apertures in FIG. 7 are for purposes of illustration only and form no part of the claimed design.

**1 Claim, 4 Drawing Sheets**



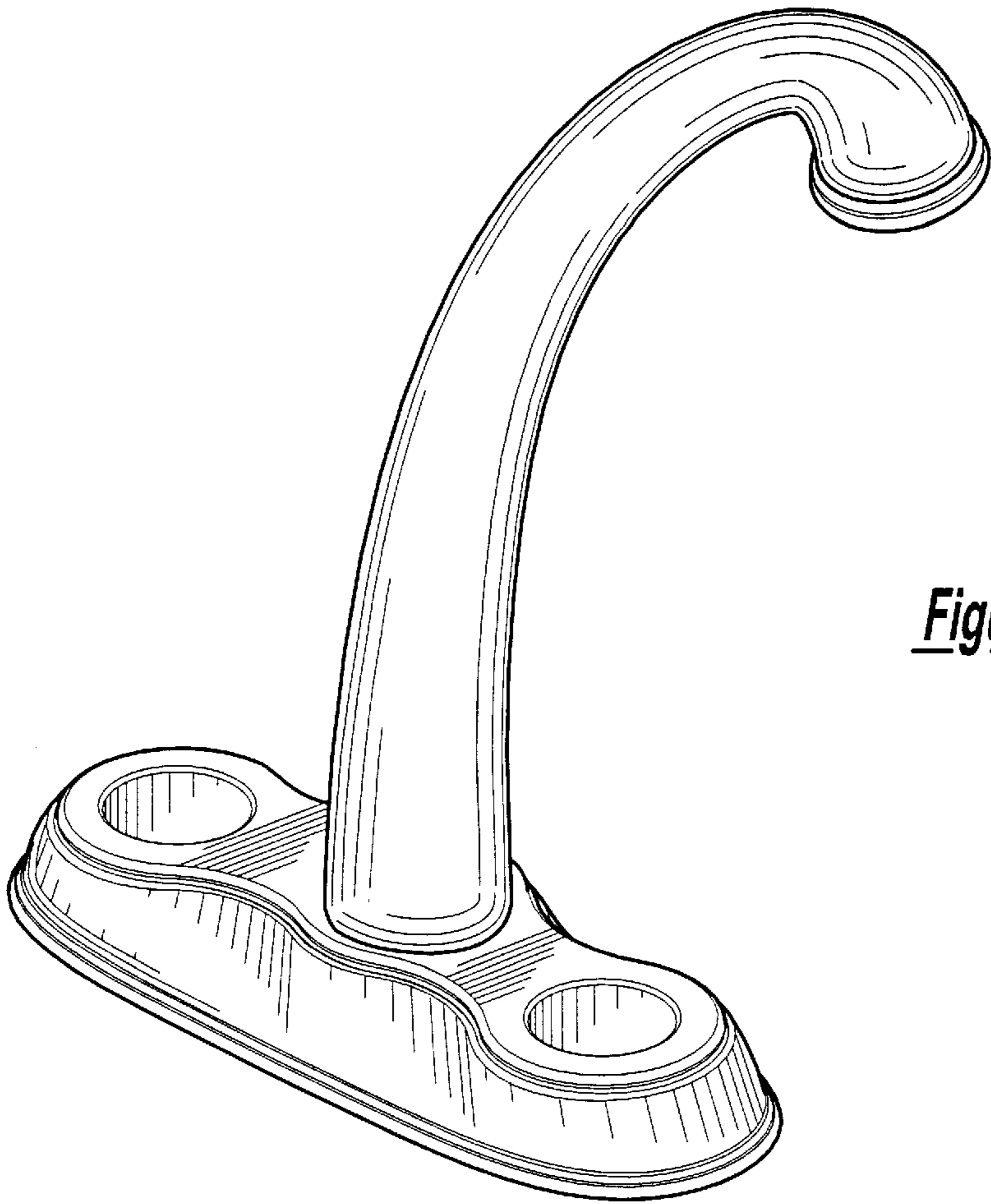


Figure - 1

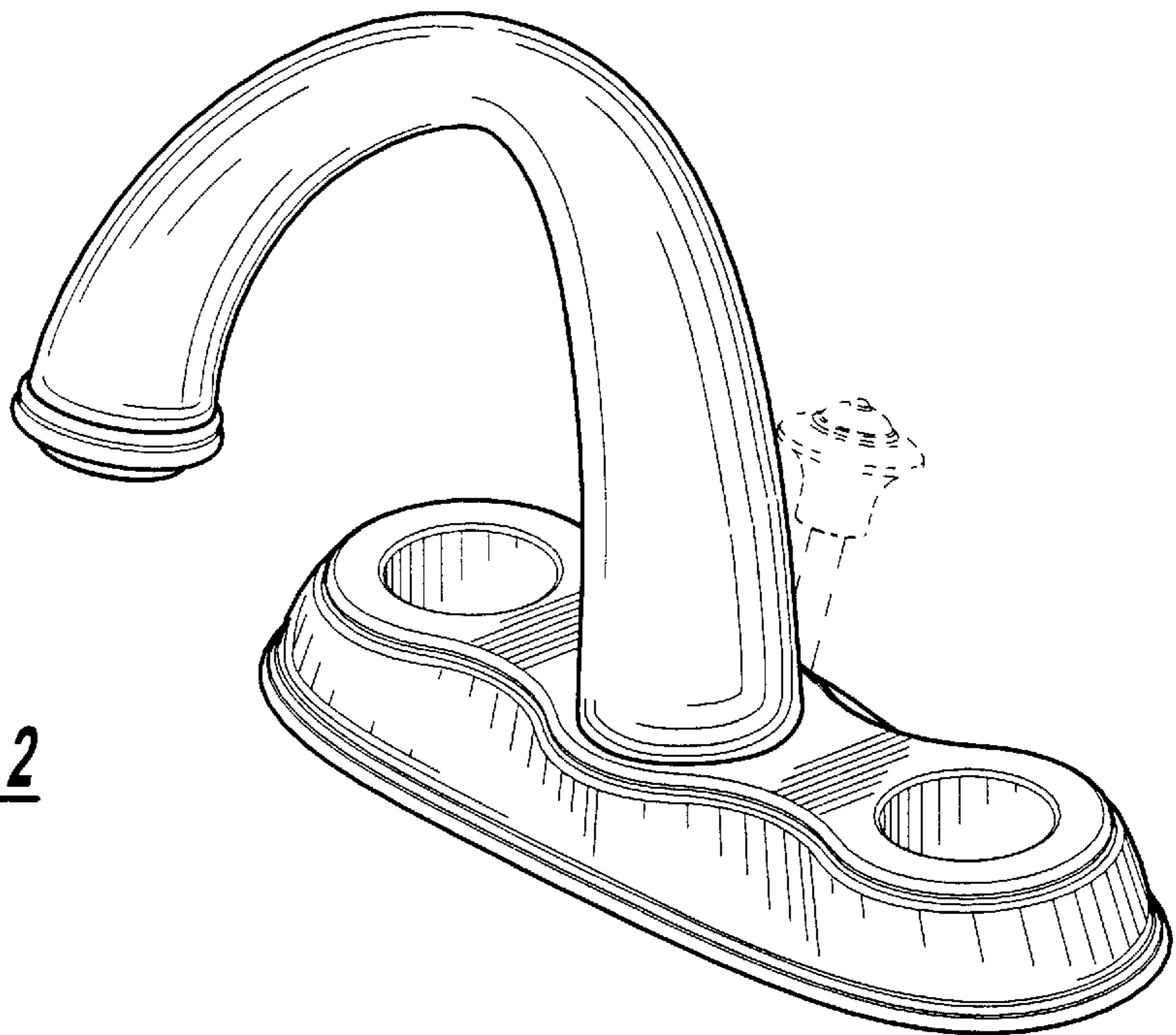


Figure - 2

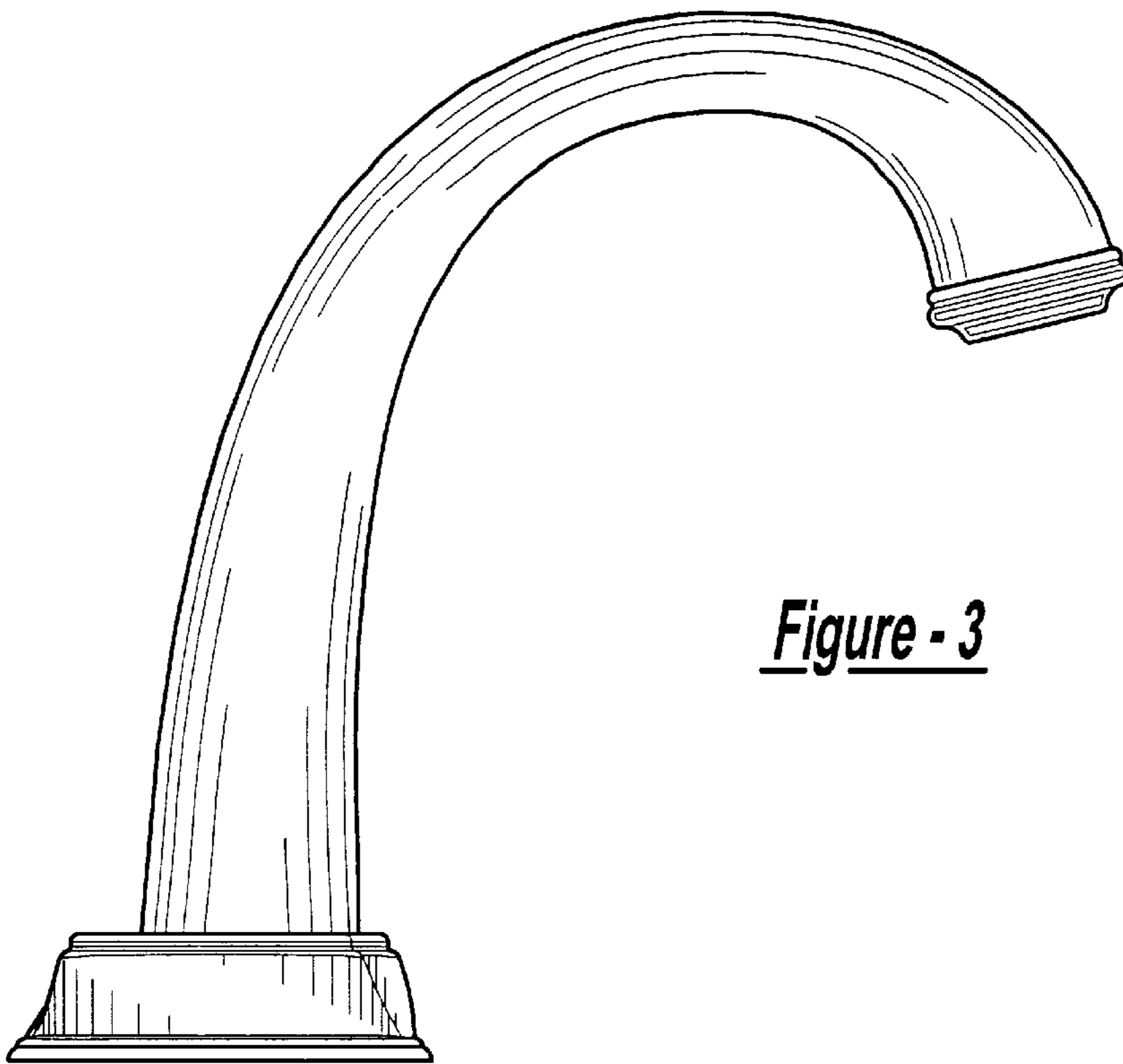


Figure - 3

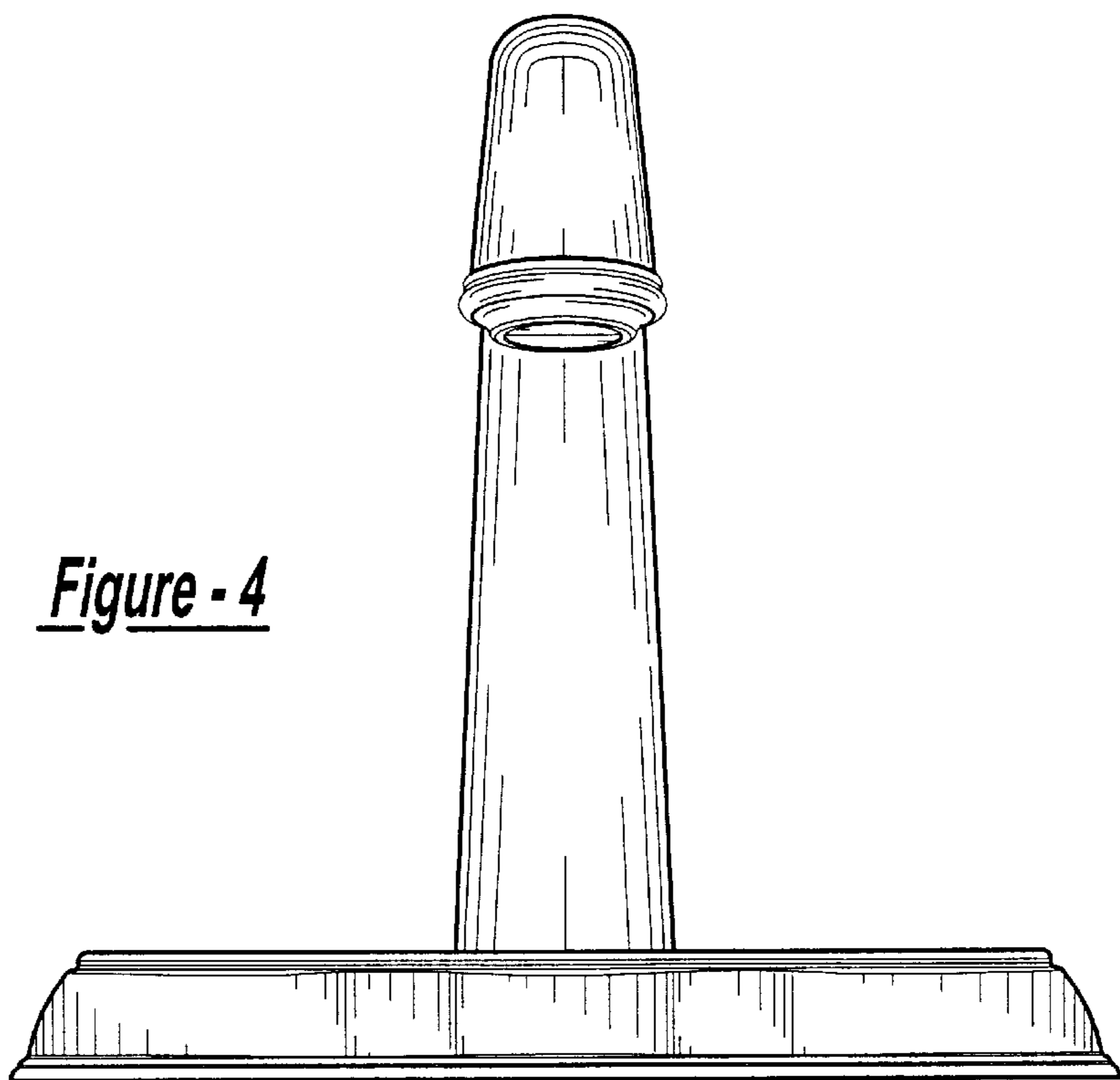


Figure - 4

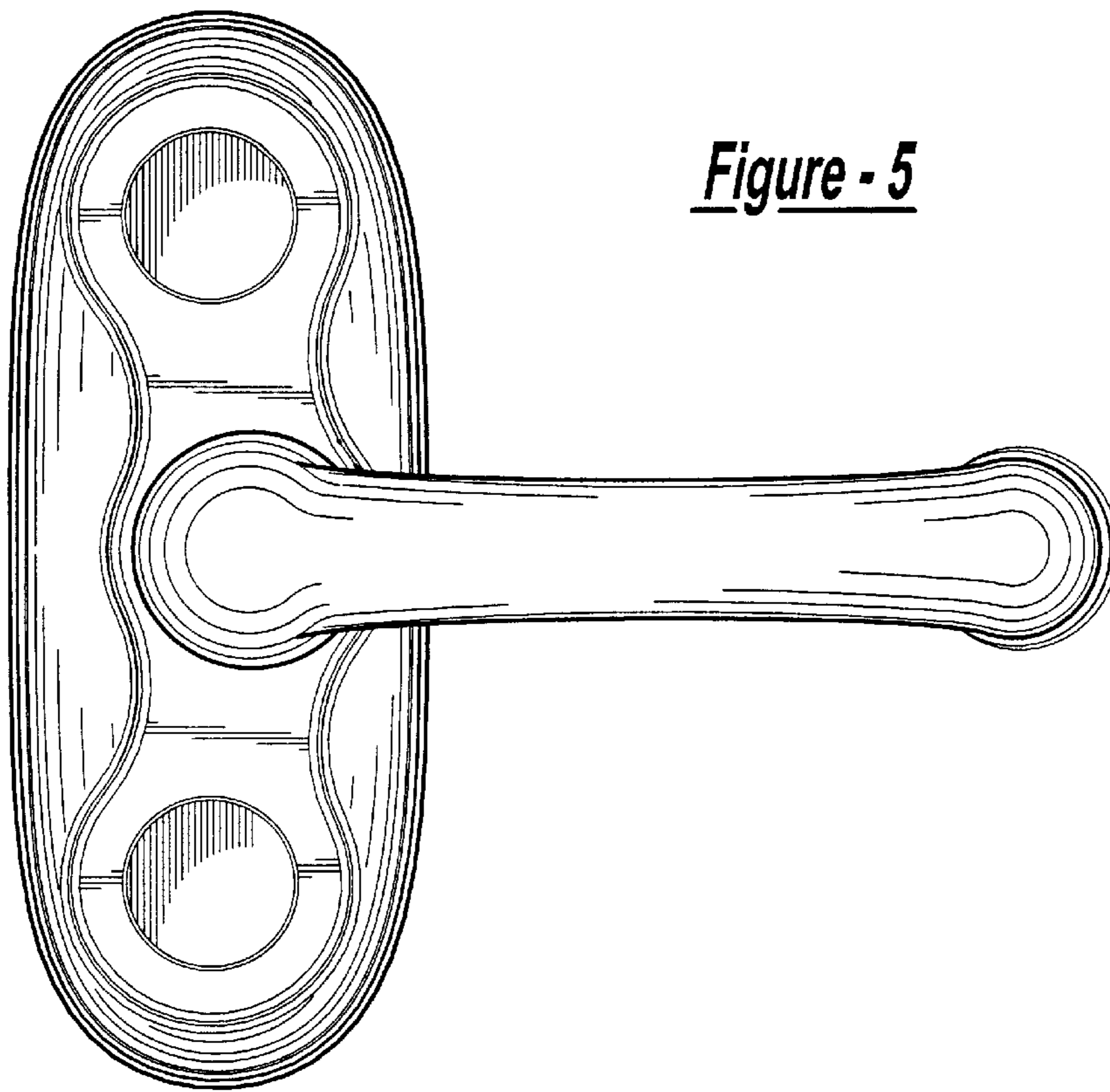


Figure - 5

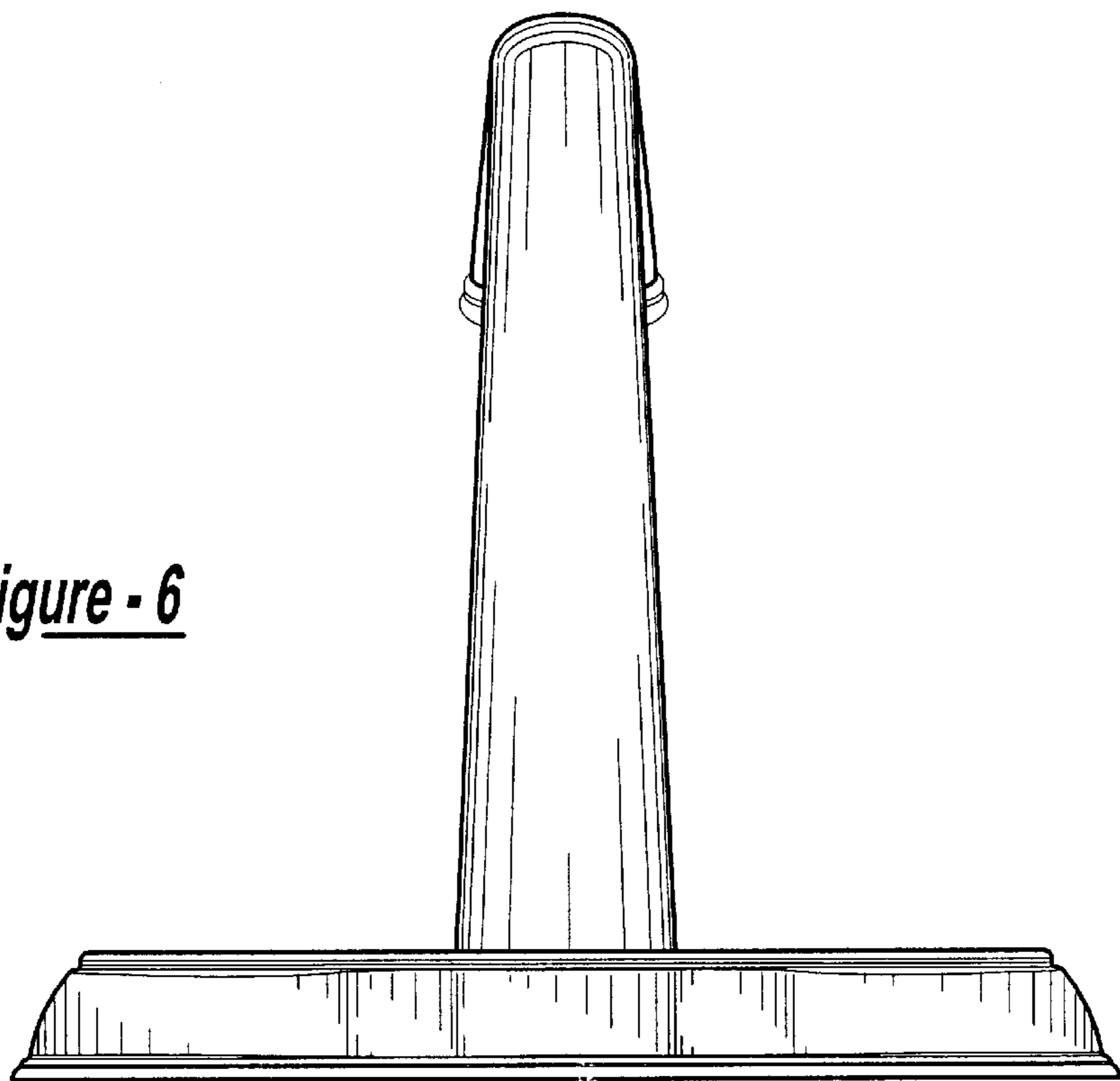


Figure - 6

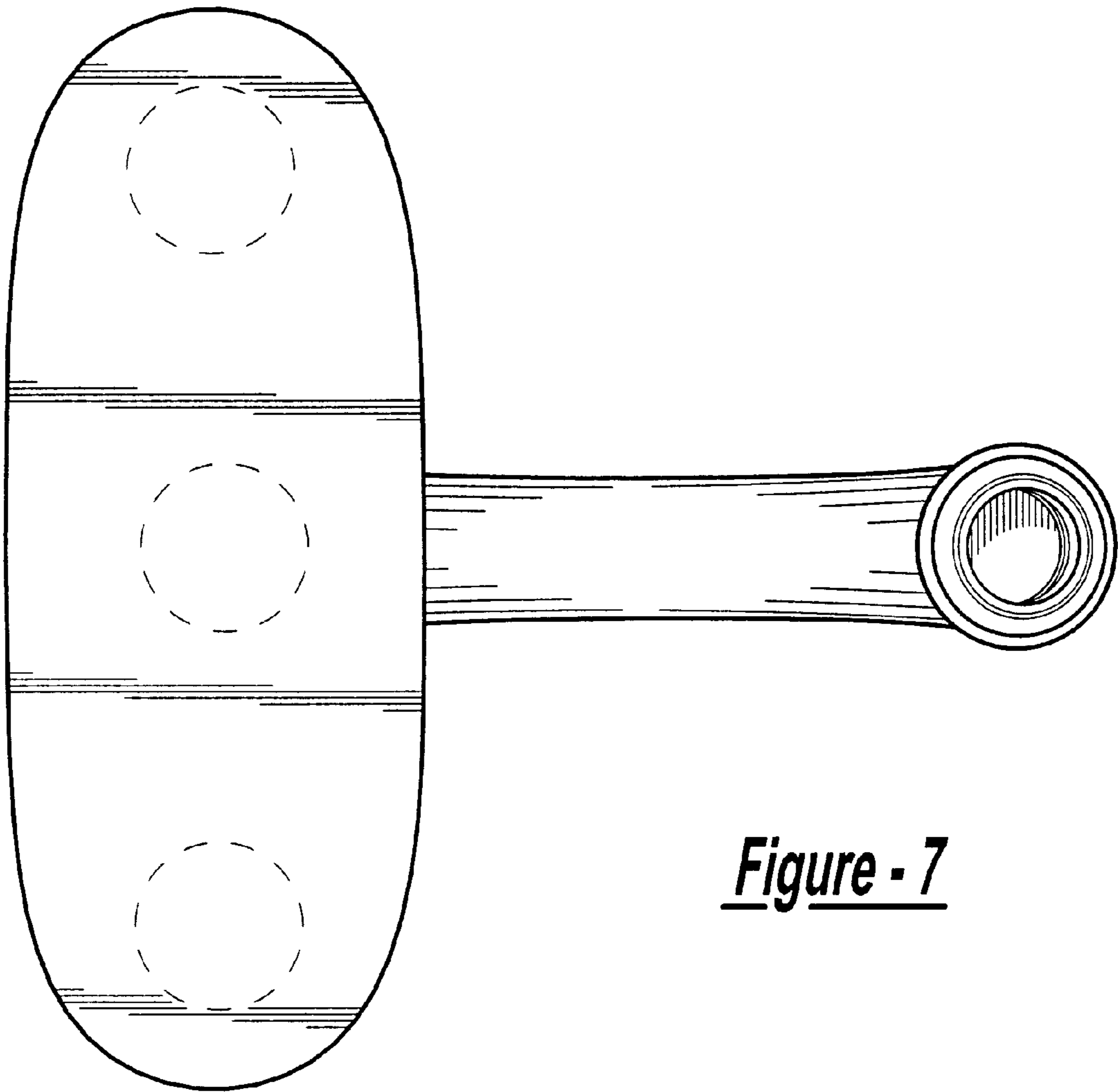


Figure - 7