



US00D439952S

(12) **United States Design Patent**
Fleischmann

(10) **Patent No.:** **US D439,952 S**

(45) **Date of Patent:** **** *Apr. 3, 2001**

(54) **SANITARY FAUCET**

(75) **Inventor:** **Klaus Fleischmann, Krefeld (DE)**

(73) **Assignee:** **Hansa Metallwerke AG (DE)**

(*) **Notice:** This patent is subject to a terminal disclaimer.

(**) **Term:** **14 Years**

(21) **Appl. No.:** **29/118,902**

(22) **Filed:** **Feb. 17, 2000**

(30) **Foreign Application Priority Data**

Aug. 20, 1999 (DE) 4 99 07 675

(51) **LOC (7) Cl.** **23-01**

(52) **U.S. Cl.** **D23/238**

(58) **Field of Search** D23/238-257;
D8/300-310; 4/675-678; 137/801

(56) **References Cited**

U.S. PATENT DOCUMENTS

D. 404,800 * 1/1999 Lobermeier D23/238

D. 410,068 * 5/1999 Gottwald D23/238
D. 411,610 * 6/1999 Lobermeier D23/238
D. 421,093 * 1/1999 Fleischmann D23/238

* cited by examiner

Primary Examiner—Louis S. Zarfes
Assistant Examiner—Gregory Andoll

(57) **CLAIM**

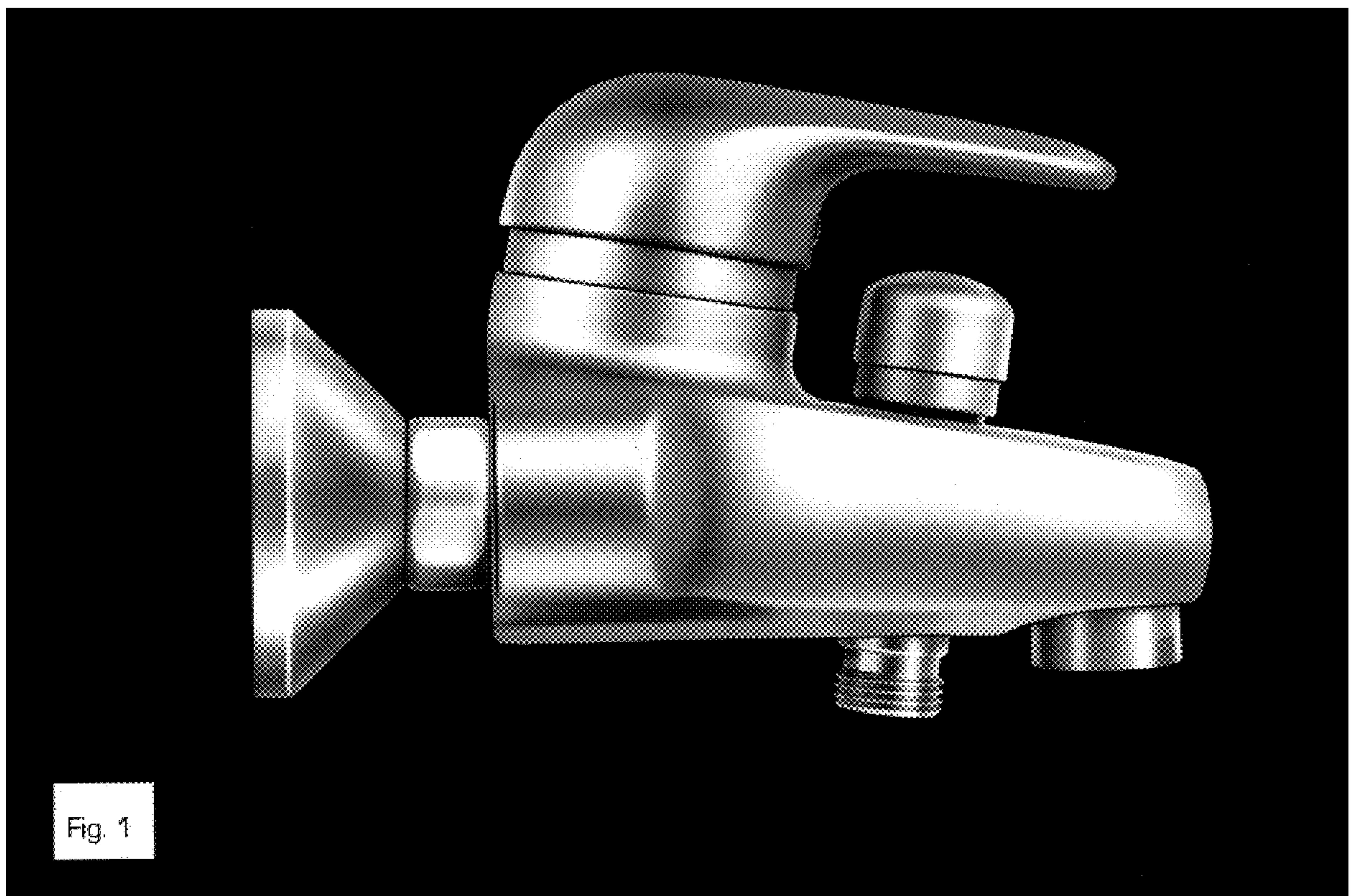
I claim the ornamental design for a sanitary faucet, as shown and described.

DESCRIPTION

FIG. 1 is a left side elevation of a sanitary faucet, which is a mirror-image of the right side, showing of my new design; FIG. 2 is a front view thereof; FIG. 3 is a rear view thereof; FIG. 4 is a top view thereof; FIG. 5 is a bottom view thereof; and, FIG. 6 is a perspective view thereof.

1 Claim, 6 Drawing Sheets





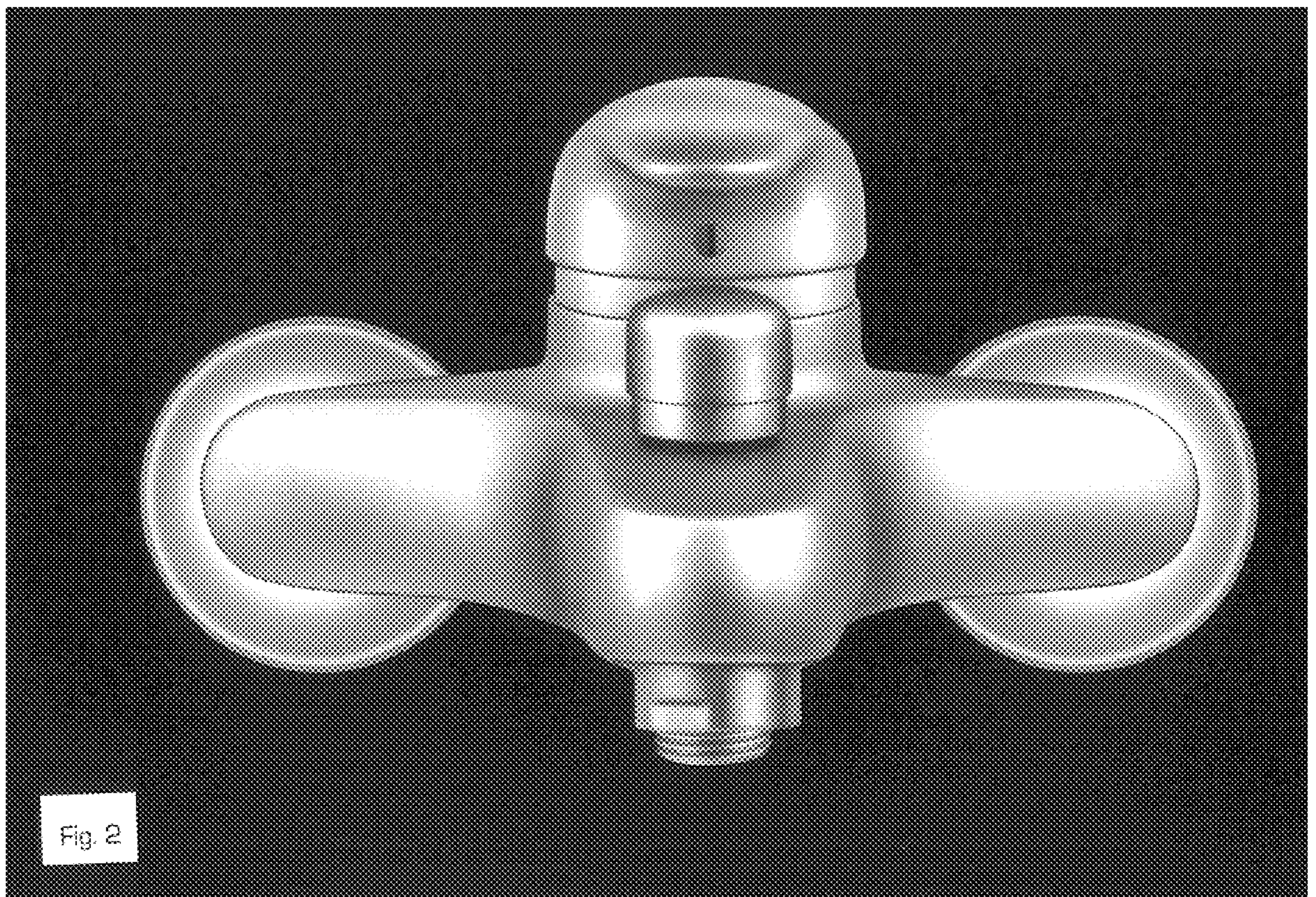
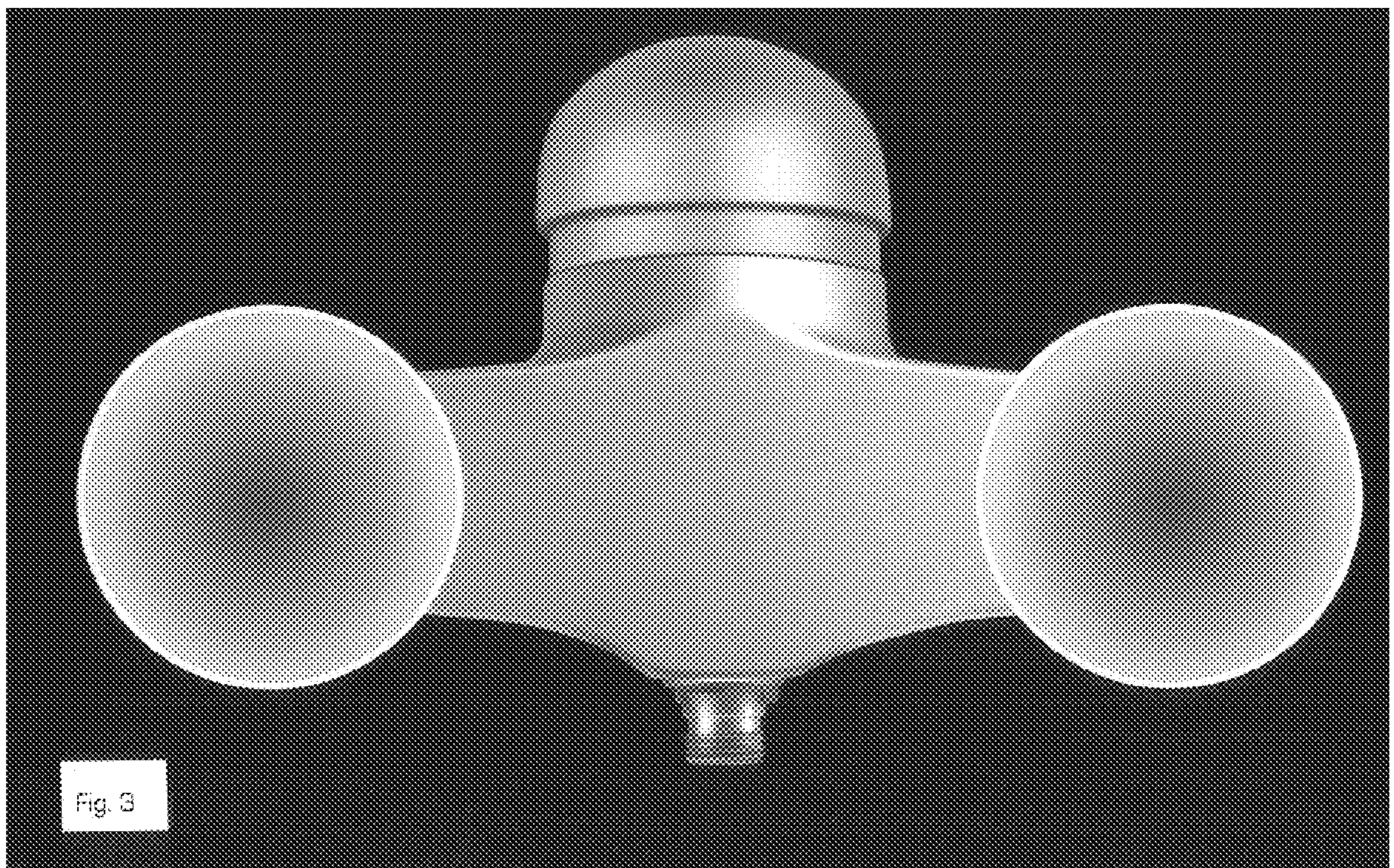


Fig. 2



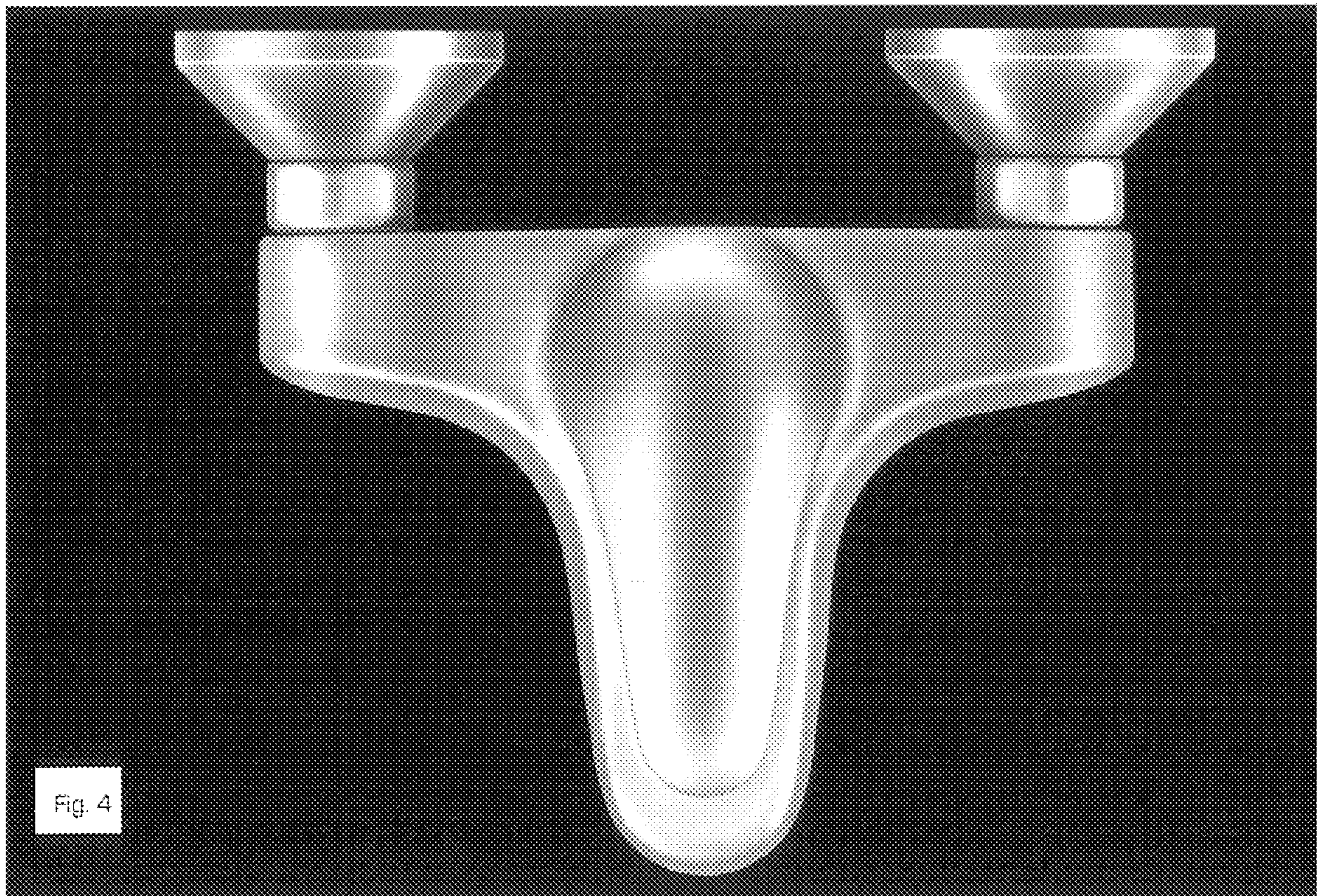


Fig. 4

