



US00D439947S

(12) **United States Design Patent**  
**Chipman**

(10) **Patent No.:** **US D439,947 S**

(45) **Date of Patent:** **\*\* Apr. 3, 2001**

(54) **ADJUSTABLE ARCHERY BOW STABILIZER**

OTHER PUBLICATIONS

(76) Inventor: **Donald I. Chipman**, 1433 1<sup>st</sup> St. NE.,  
Mason City, IA (US) 50402

Looking Far Into The Next Millennium, Specialty Archery  
Products, 1999 Product Catalog.

(\*\*) Term: **14 Years**

\* cited by examiner

(21) Appl. No.: **29/110,942**

*Primary Examiner*—James Gandy

(22) Filed: **Sep. 16, 1999**

*Assistant Examiner*—Monica A. Weingart

(51) **LOC (7) Cl.** ..... **22-01**

(74) *Attorney, Agent, or Firm*—Gerald E. Helget; Rider,  
Bennett, Egan & Arundel

(52) **U.S. Cl.** ..... **D22/107**

(58) **Field of Search** ..... D22/100, 107,  
D22/199; 124/89

(57) **CLAIM**

The ornamental design for an adjustable archery bow sta-  
bilizer, as shown and described.

(56) **References Cited**

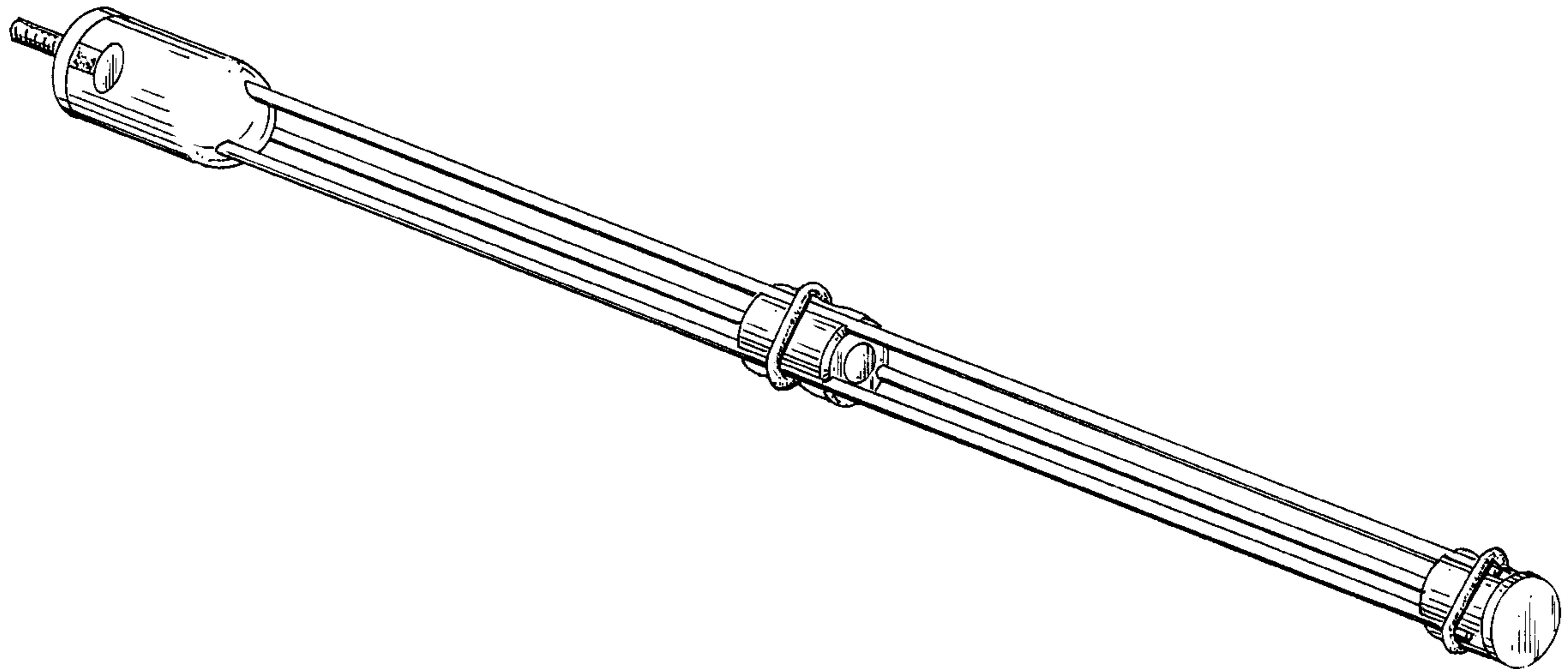
**DESCRIPTION**

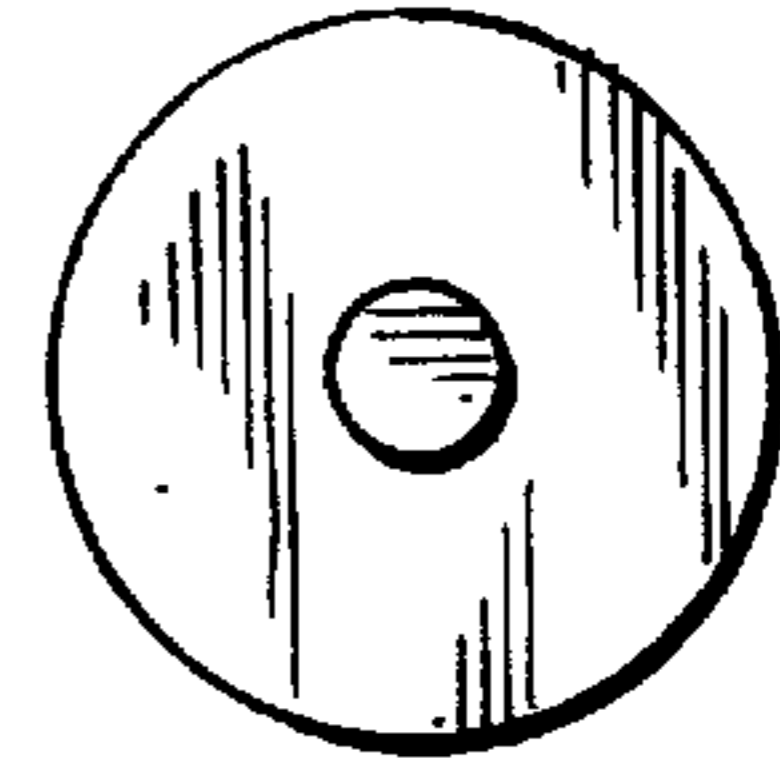
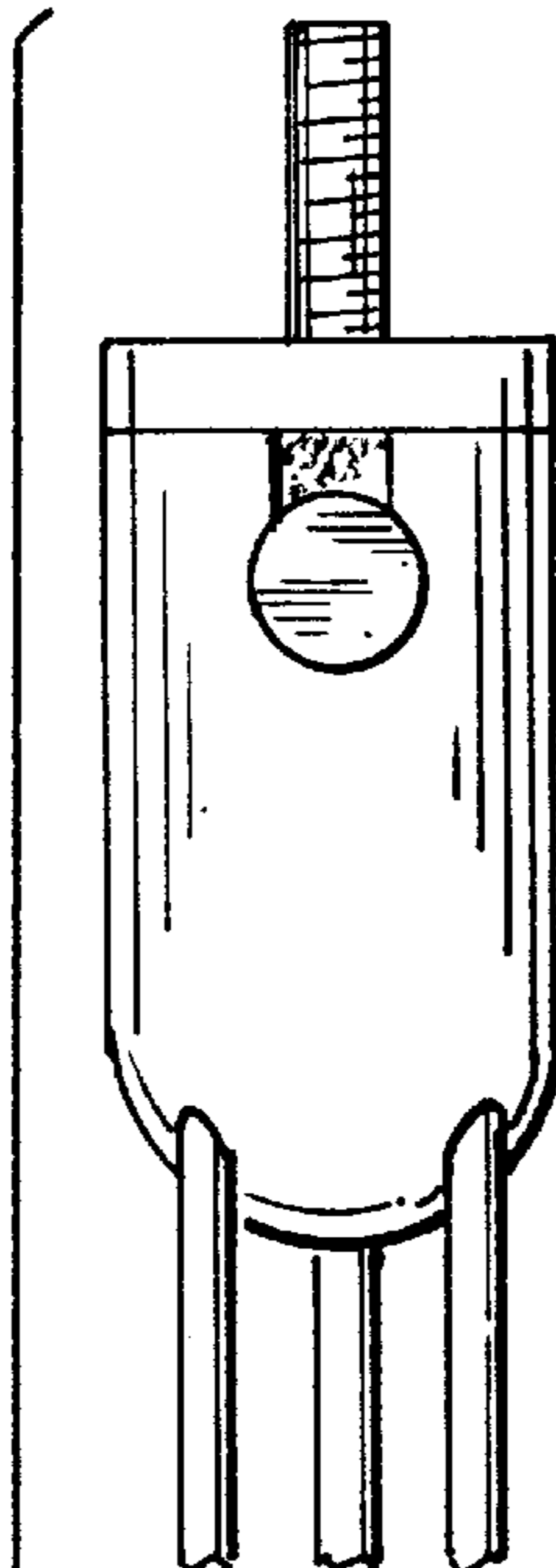
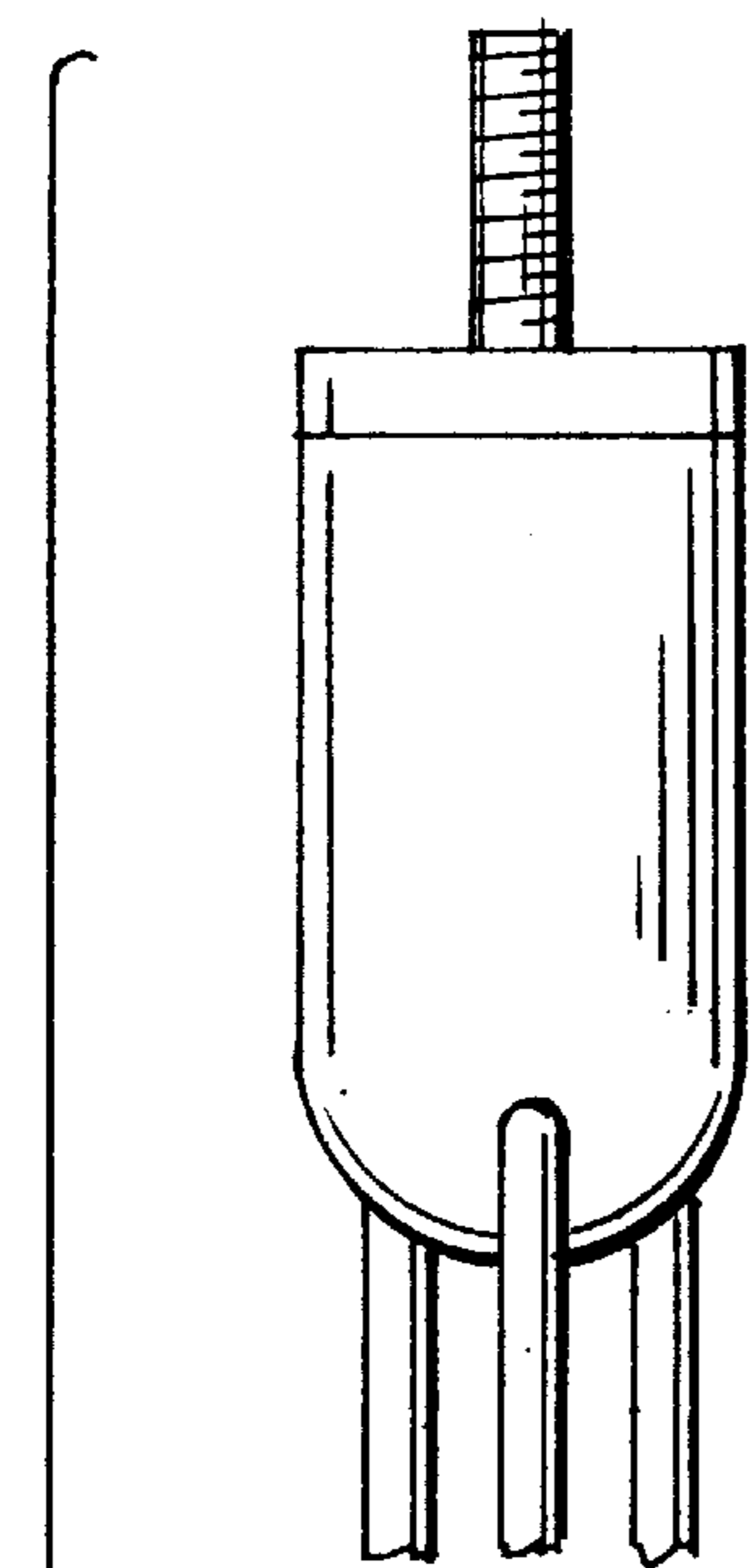
**U.S. PATENT DOCUMENTS**

D. 406,300	*	3/1999	Fitzgerald, Jr.	.....	D22/107
1,107,177		8/1914	Noble .		
3,501,993		3/1970	Swenson .		
3,645,161		2/1972	Wesker .		
4,135,486		1/1979	Enomoto .		
4,478,204		10/1984	Kocsan .		
4,640,258	*	2/1987	Penney et al.	.....	124/89 X
5,090,396		2/1992	Bickel .		
5,137,007		8/1992	Shoemake .		
5,611,325		3/1997	Kudlacek .		
5,617,664	*	4/1997	Troncoso	.....	124/89 X
5,669,370	*	9/1997	Breedlove	.....	124/89
5,975,070	*	11/1999	Sands	.....	124/89
5,996,570	*	12/1999	Legate	.....	124/89
6,076,514	*	6/2000	Adams, Jr.	.....	124/89

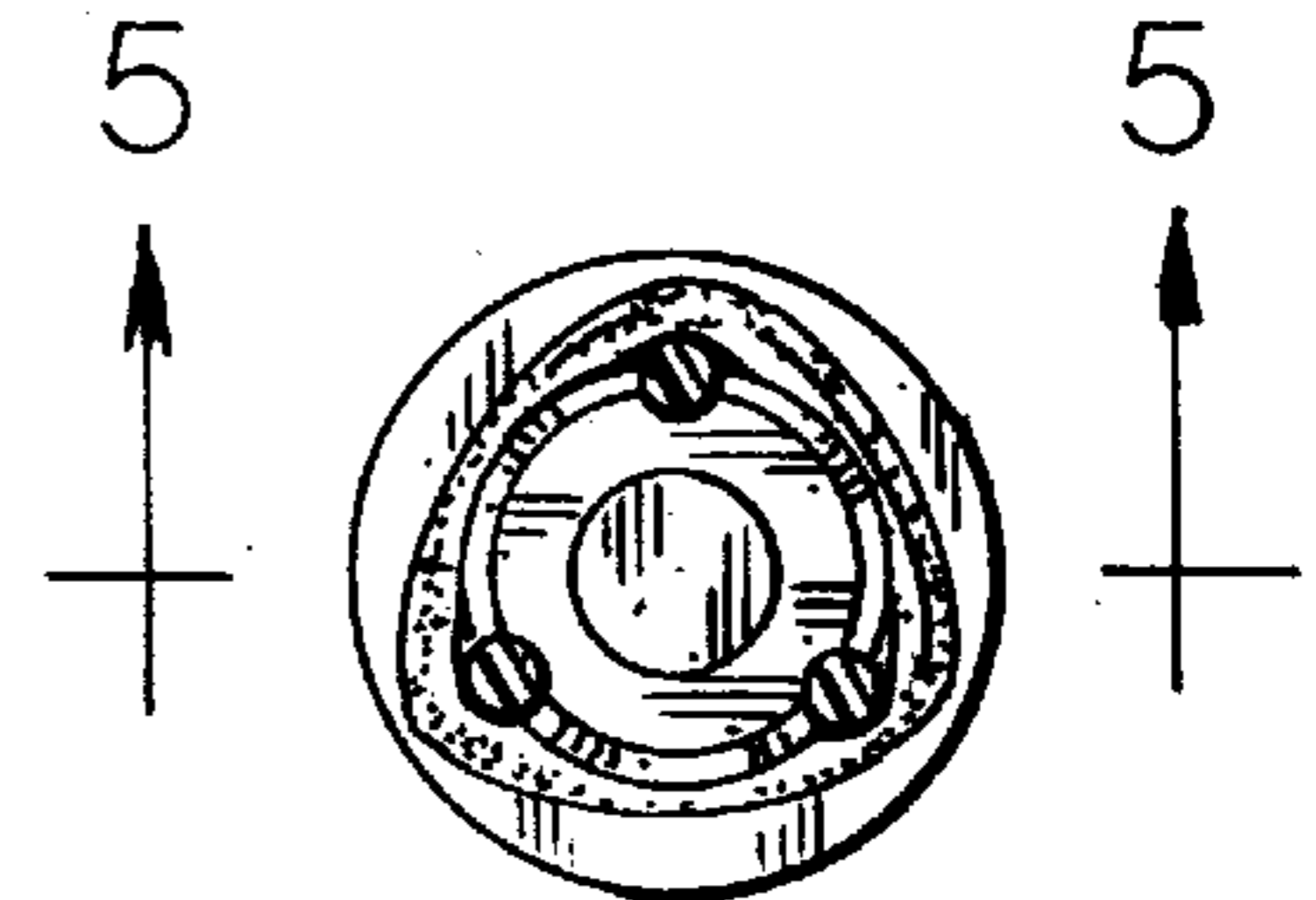
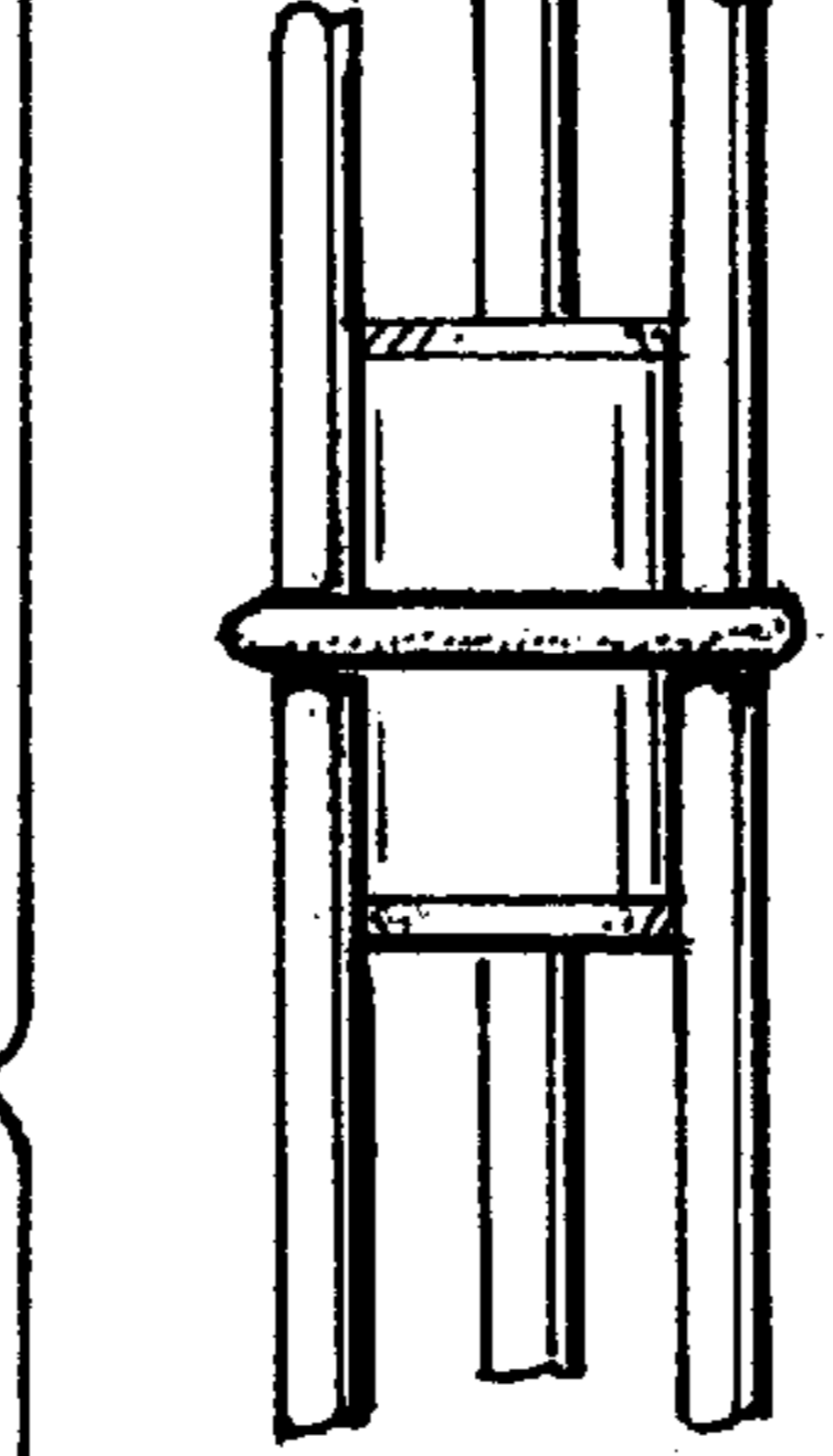
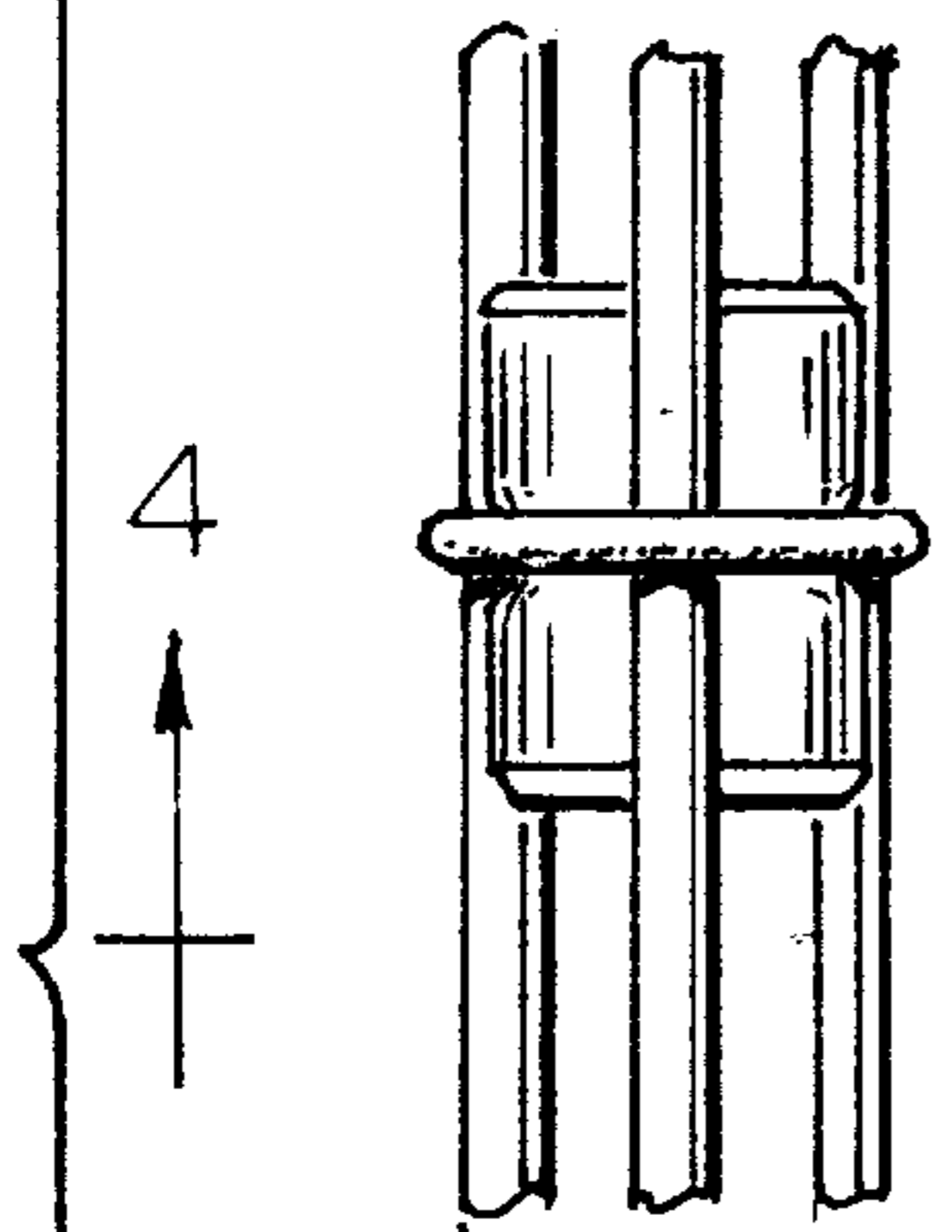
FIG. 1 is a top plan view of an adjustable archery bow  
stabilizer showing my new design;  
FIG. 2 is a bottom plan view;  
FIG. 3 is a rear elevational view;  
FIG. 4 is a cross-sectional view taken along the line 4—4 of  
FIG. 1;  
FIG. 5 is a fragmentary cross-sectional view taken along the  
line of 5—5 of FIG. 4;  
FIG. 6 is a front elevational view;  
FIG. 7 is a fragmentary cross-sectional view taken along the  
line 7—7 of FIG. 6; and,  
FIG. 8 is a perspective view.  
FIGS. 1 and 2 of the drawing have been shown broken away  
for ease of illustration.

**1 Claim, 2 Drawing Sheets**

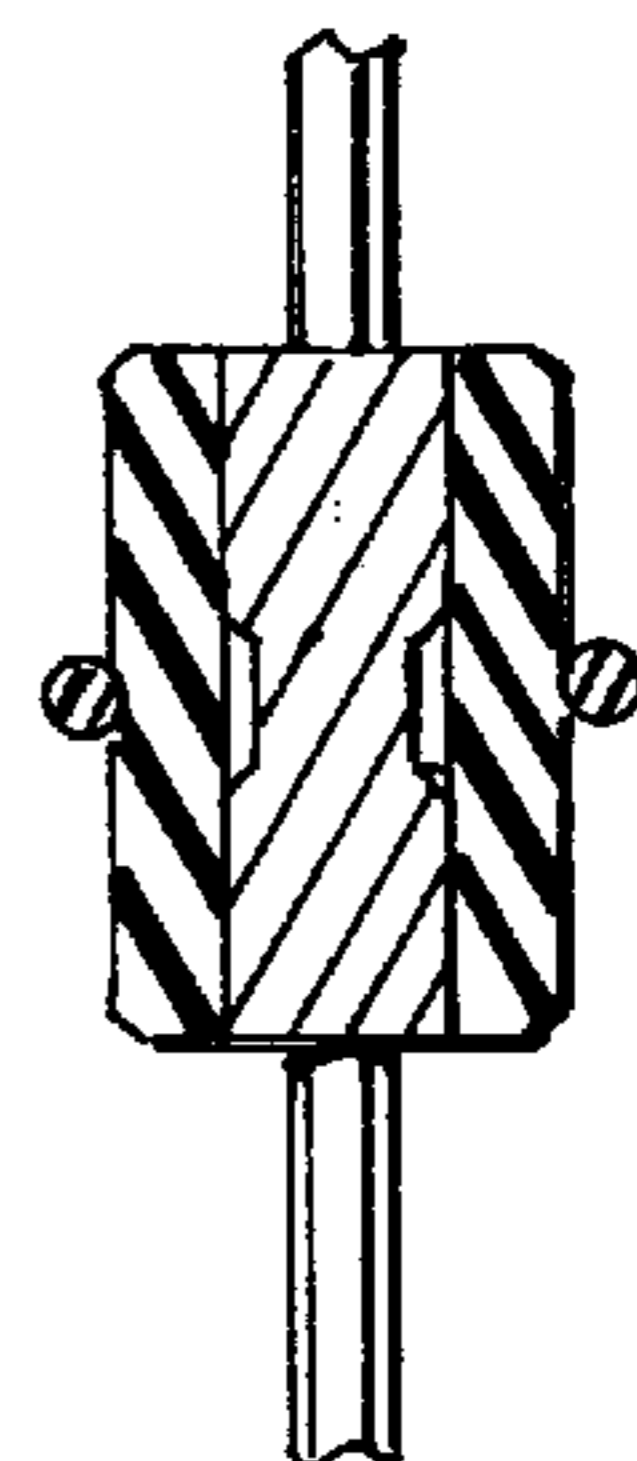
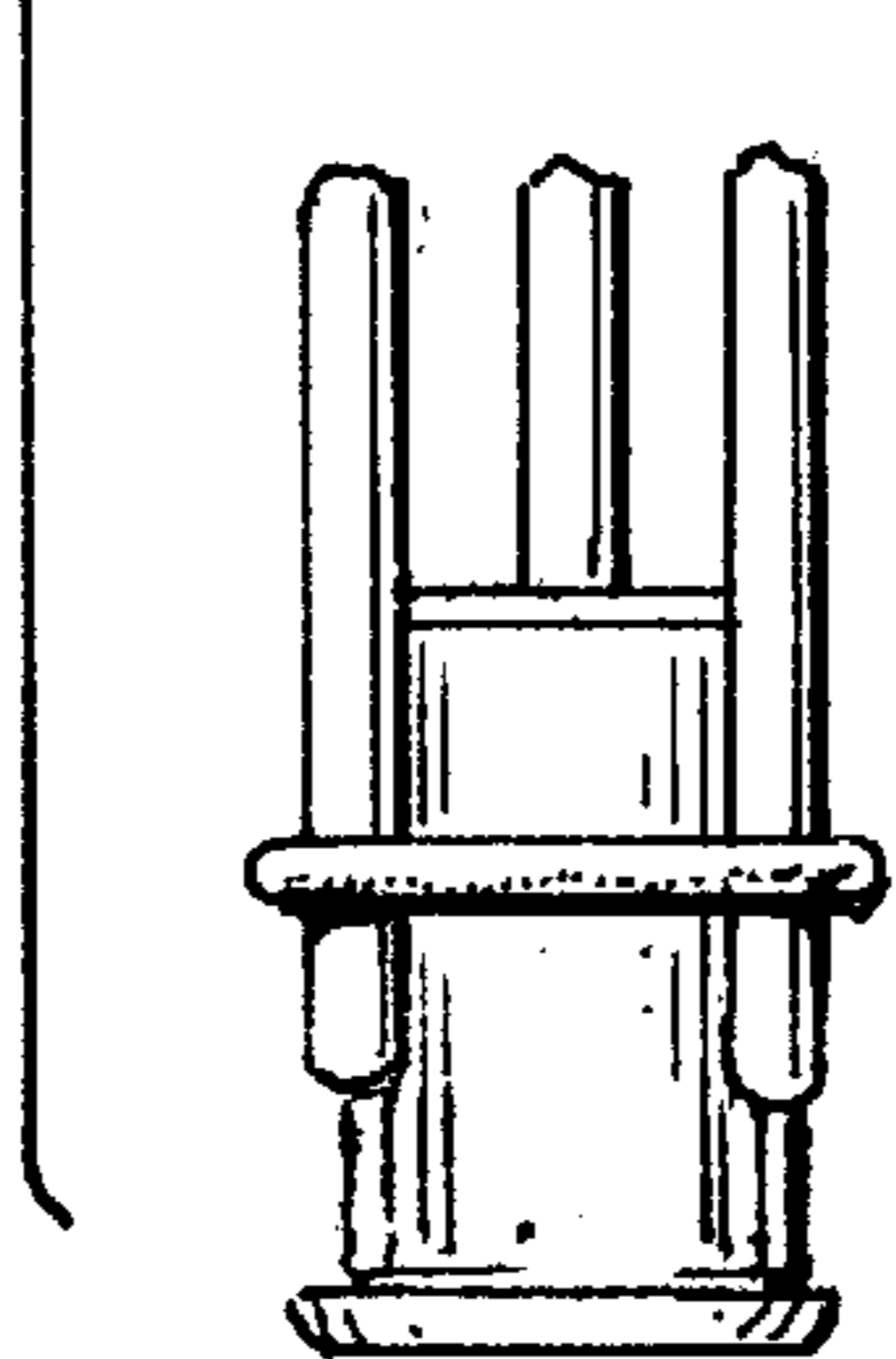
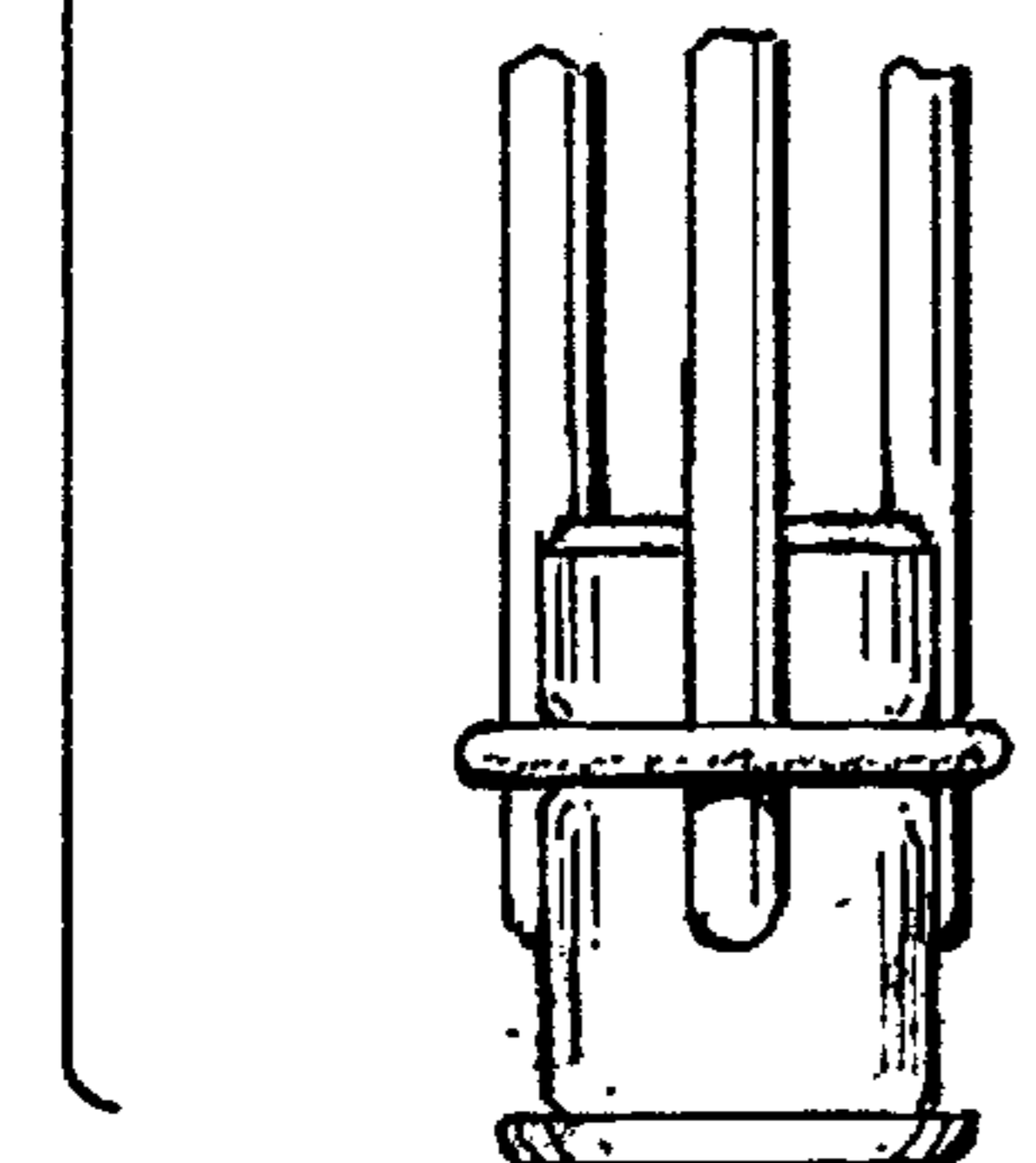




*Fig. 3.*



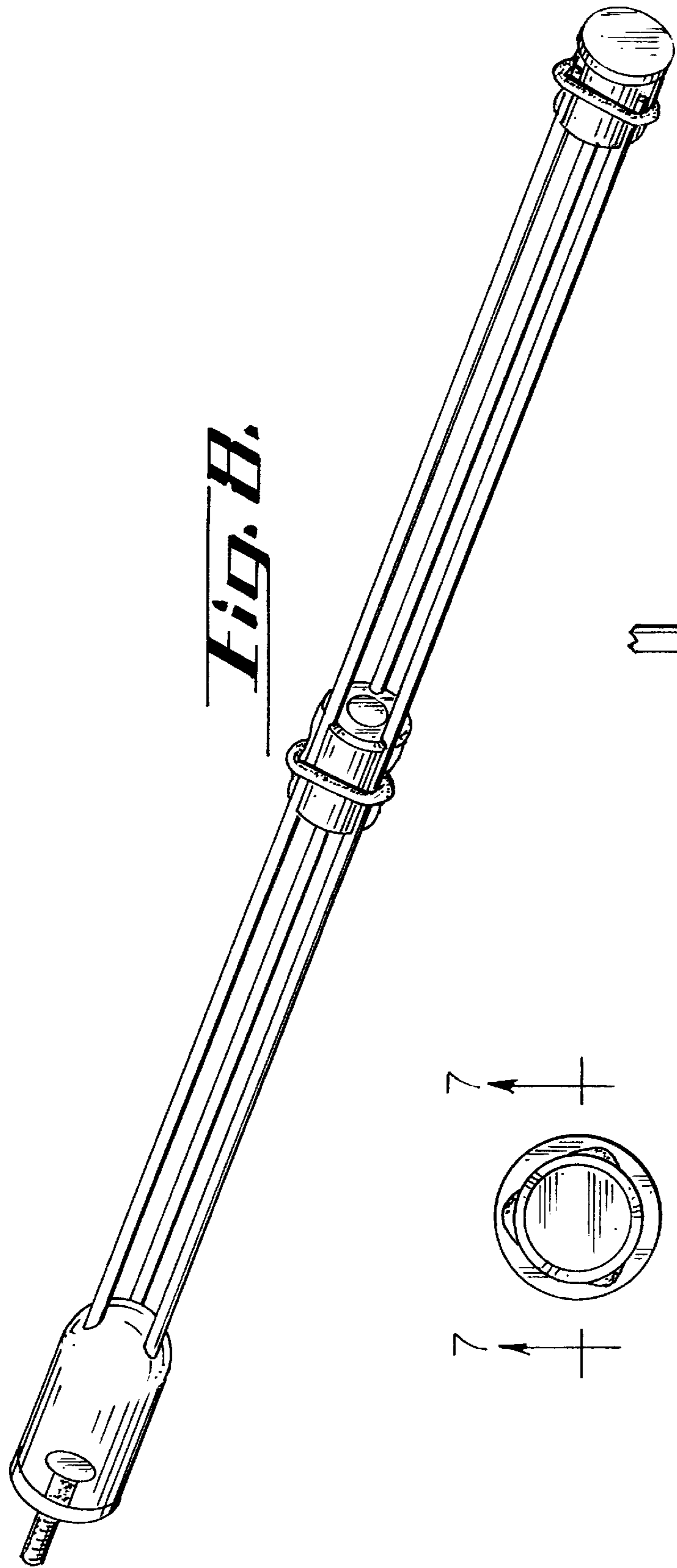
*Fig. 4.*



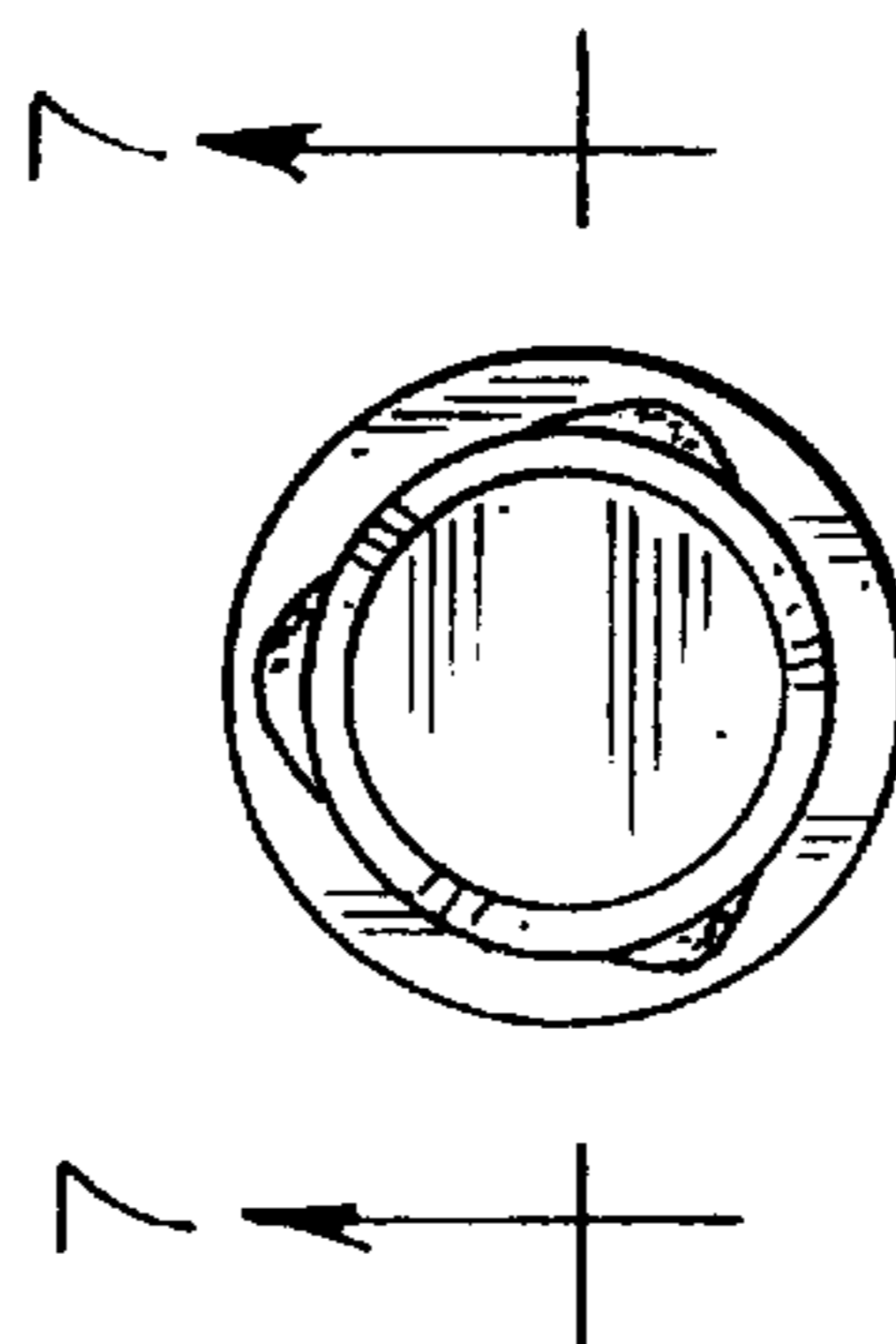
*Fig. 5.*

*Fig. 1.*

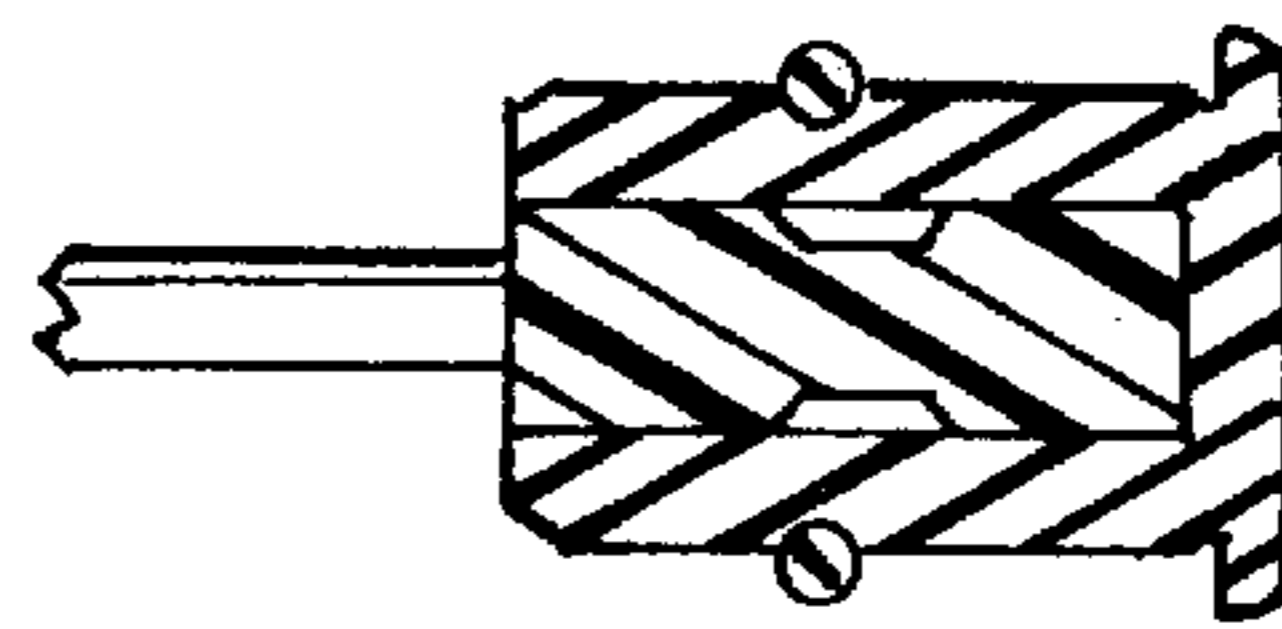
*Fig. 2.*



*Fig. 8.*



*Fig. 6.*



*Fig. 7.*