



US00D439945S

(12) **United States Design Patent**
Kent

(10) **Patent No.:** **US D439,945 S**

(45) **Date of Patent:** **** Apr. 3, 2001**

(54) **PNEUMATIC COMPRESSION STRUT
SKATEBOARD TRUCK**

4,176,850	*	12/1979	Johnson	280/87.042
5,522,620	*	6/1996	Pracas	280/87.041
5,947,495	*	9/1999	Null	280/87.042
5,997,018	*	12/1999	Lee	280/87.042

(75) **Inventor:** **Tracy Scott Kent**, P.O. Box 60634, San Diego, CA (US) 92166

OTHER PUBLICATIONS

(73) **Assignee:** **Tracy Scott Kent**, San Diego, CA (US)

Skateboard, pp. 143, Sep. 1977.*

(**) **Term:** **14 Years**

* cited by examiner

(21) **Appl. No.:** **29/120,438**

Primary Examiner—Raphael Barkai

(22) **Filed:** **Mar. 16, 2000**

(57) **CLAIM**

(51) **LOC (7) Cl.** **21-02**

The design for a pneumatic compression strut skateboard truck, as shown and described.

(52) **U.S. Cl.** **D21/771**

DESCRIPTION

(58) **Field of Search** D21/419, 421,
D21/423, 424, 426, 435, 533, 760, 765,
771; 280/62, 271, 282, 87.021, 87.041,
87.042

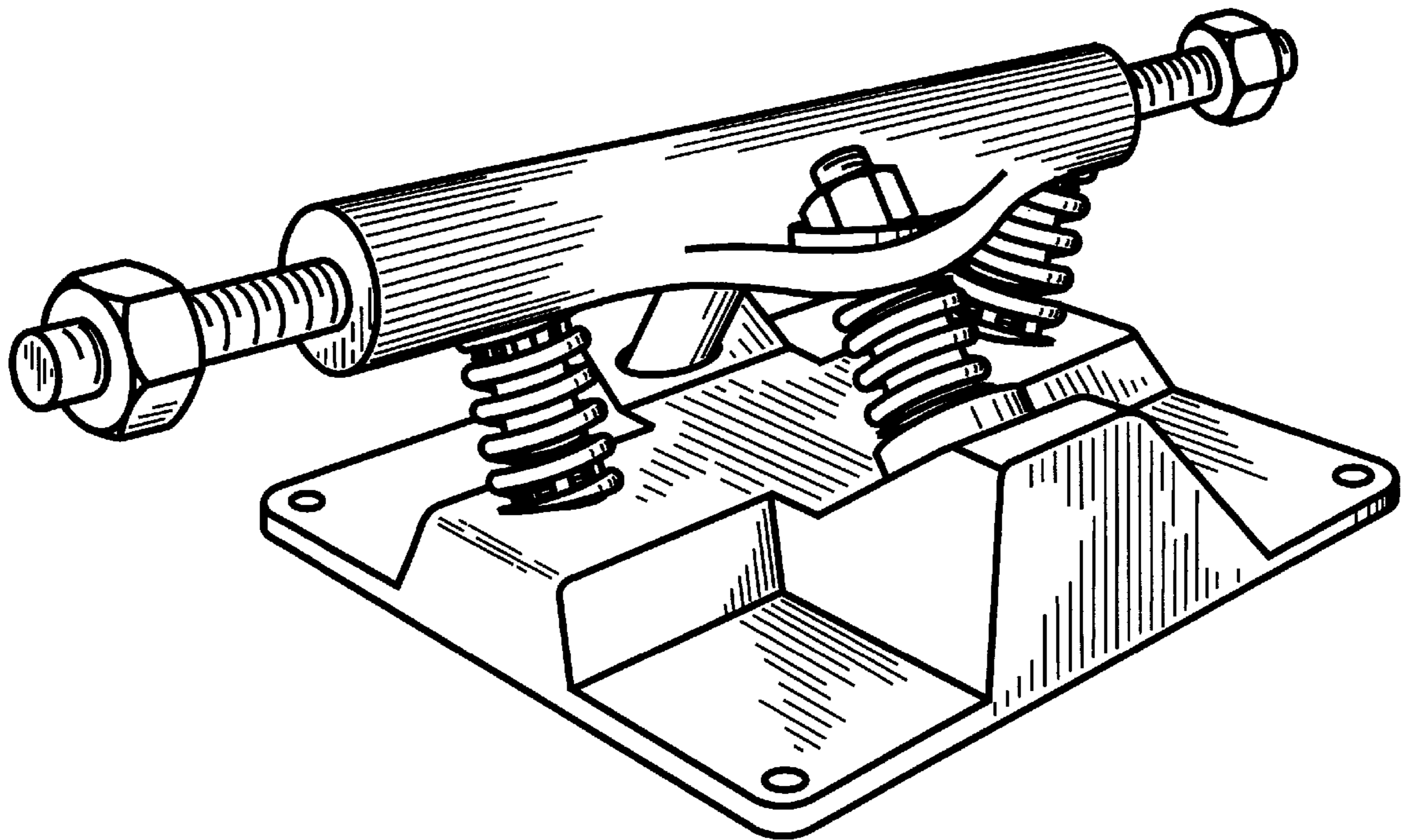
FIG. 1 is a perspective view of the pneumatic compression strut skateboard truck showing my new design;
FIG. 2 is a front view thereof;
FIG. 3 is a rear view thereof;
FIG. 4 is a left side view thereof;
FIG. 5 is a right side view thereof; and,
FIG. 6 is a top view thereof.

(56) **References Cited**

U.S. PATENT DOCUMENTS

D. 298,448	*	11/1988	Seehaver	D21/765
D. 404,784	*	1/1999	Ramage	D21/771

1 Claim, 4 Drawing Sheets



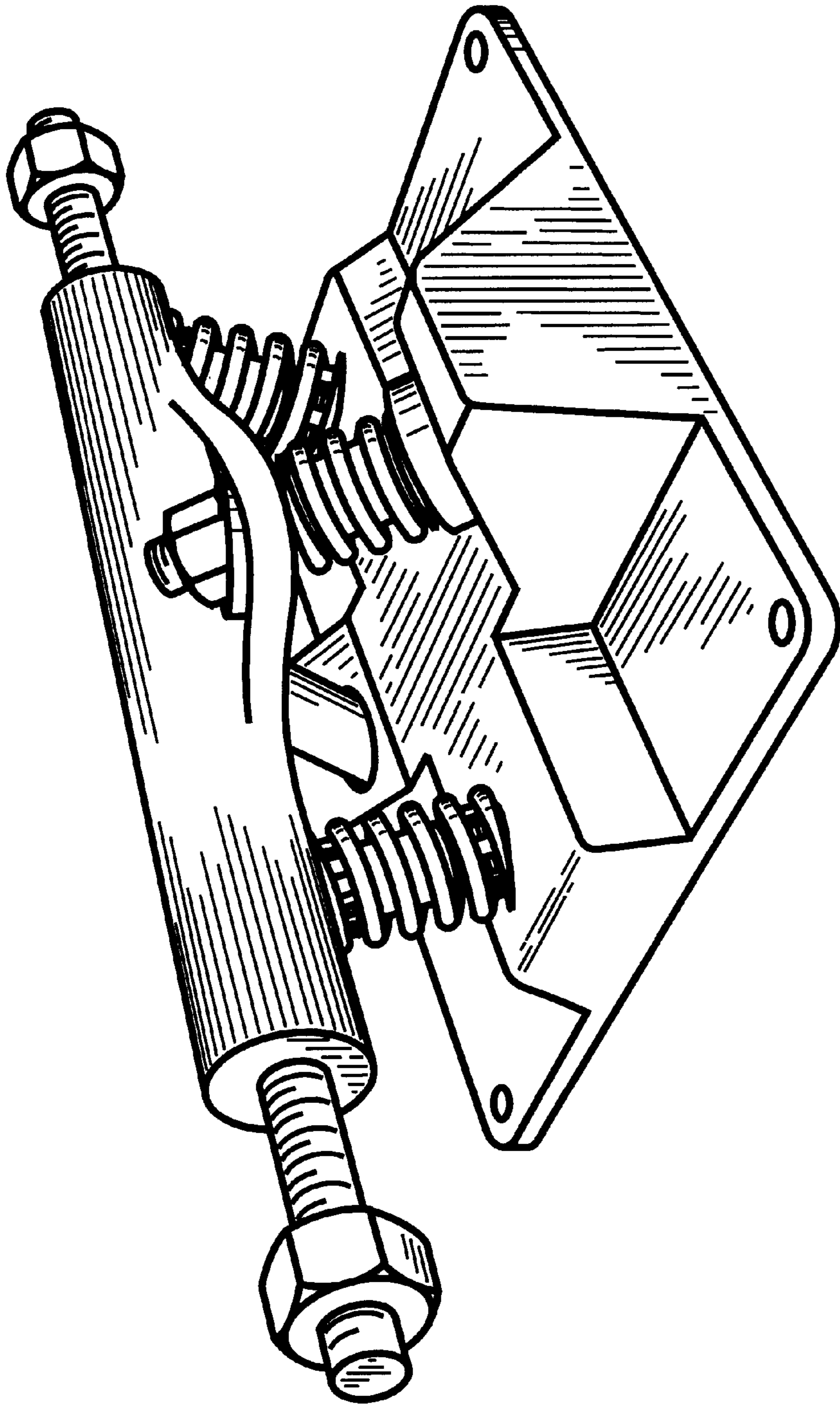


Figure 1

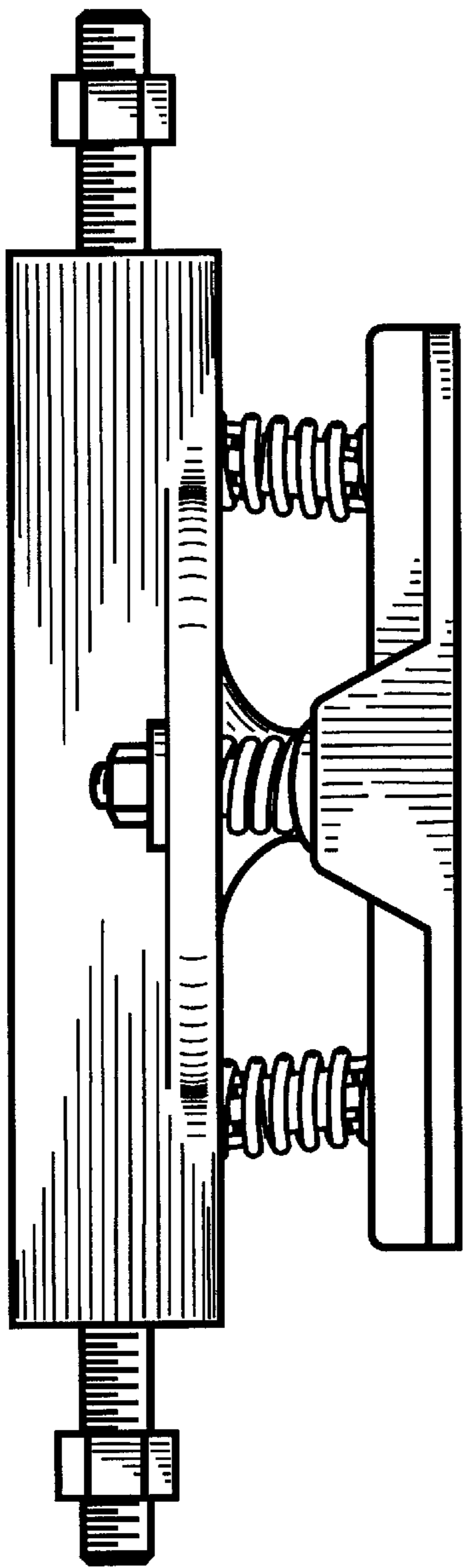


Figure 2

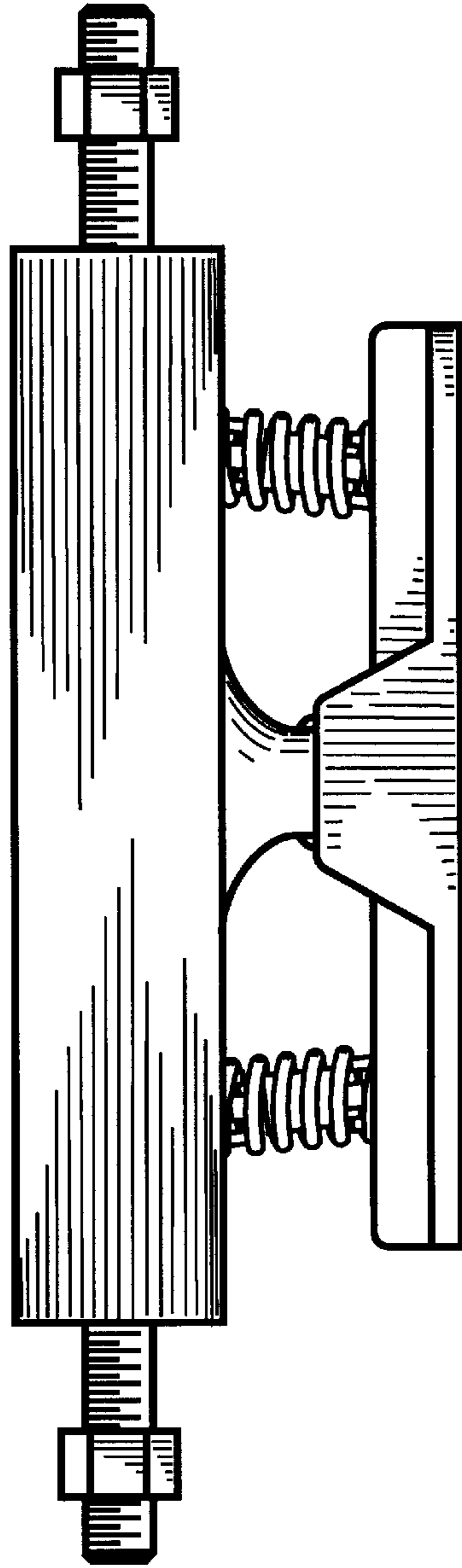


Figure 3

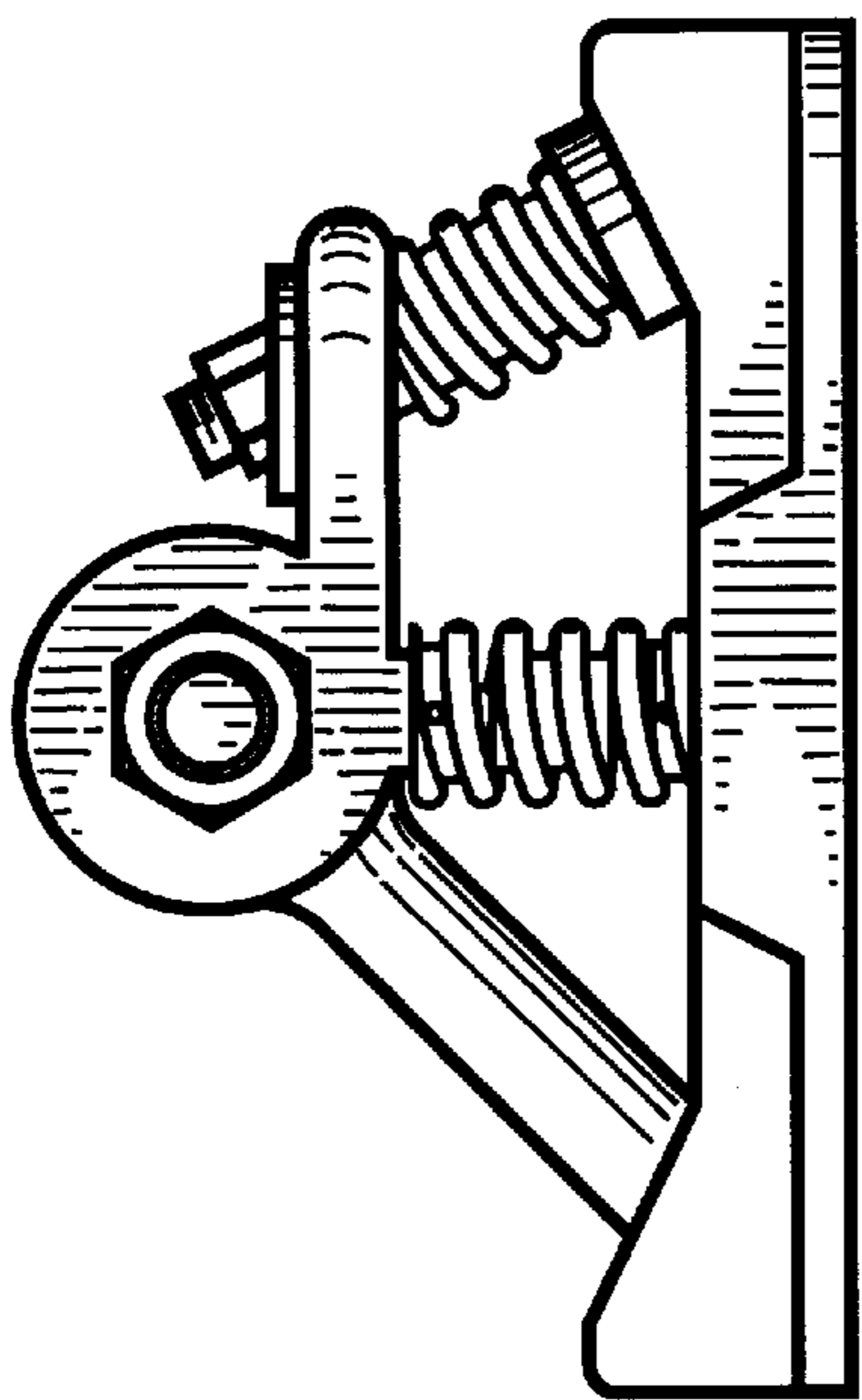


Figure 4

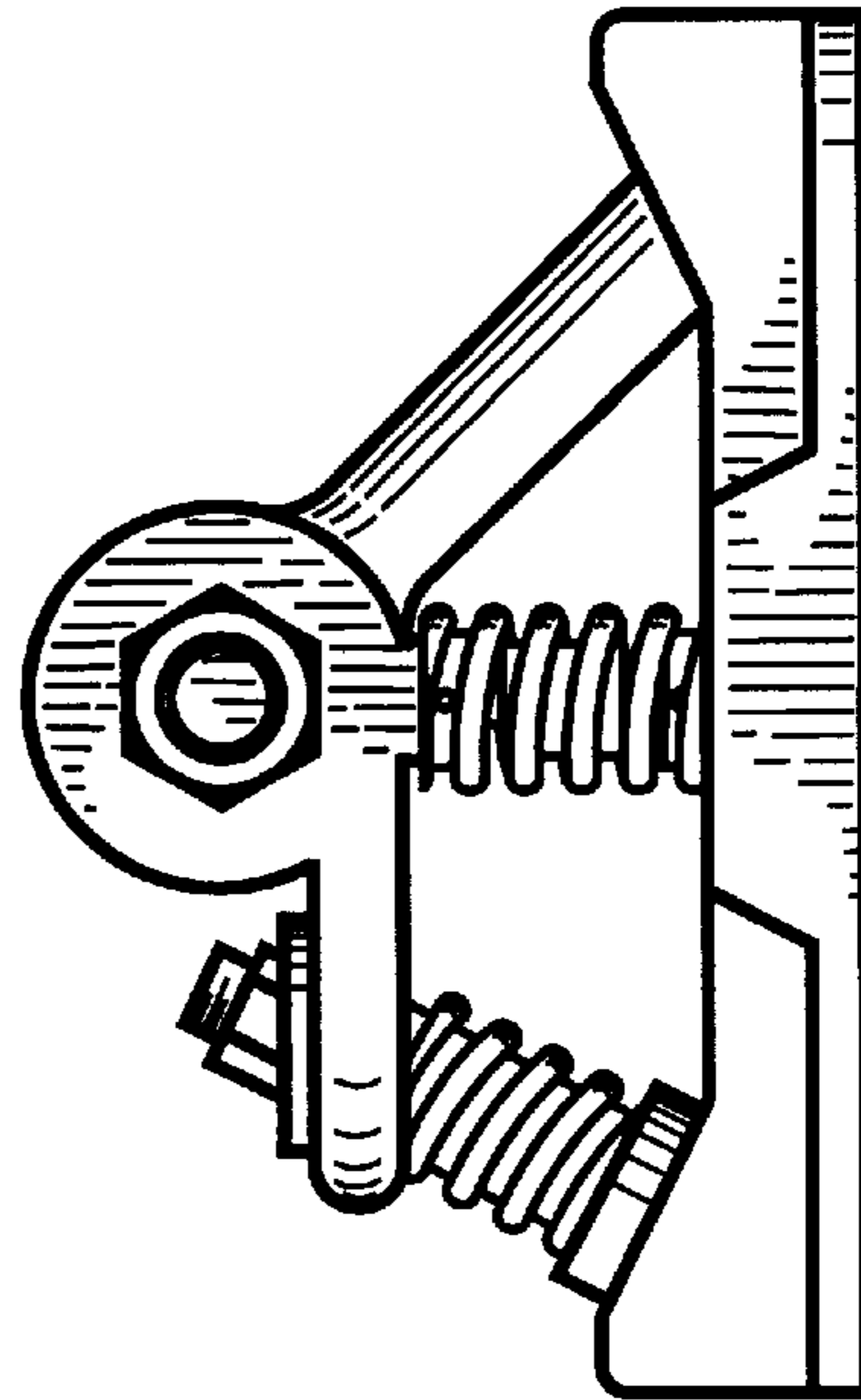


Figure 5

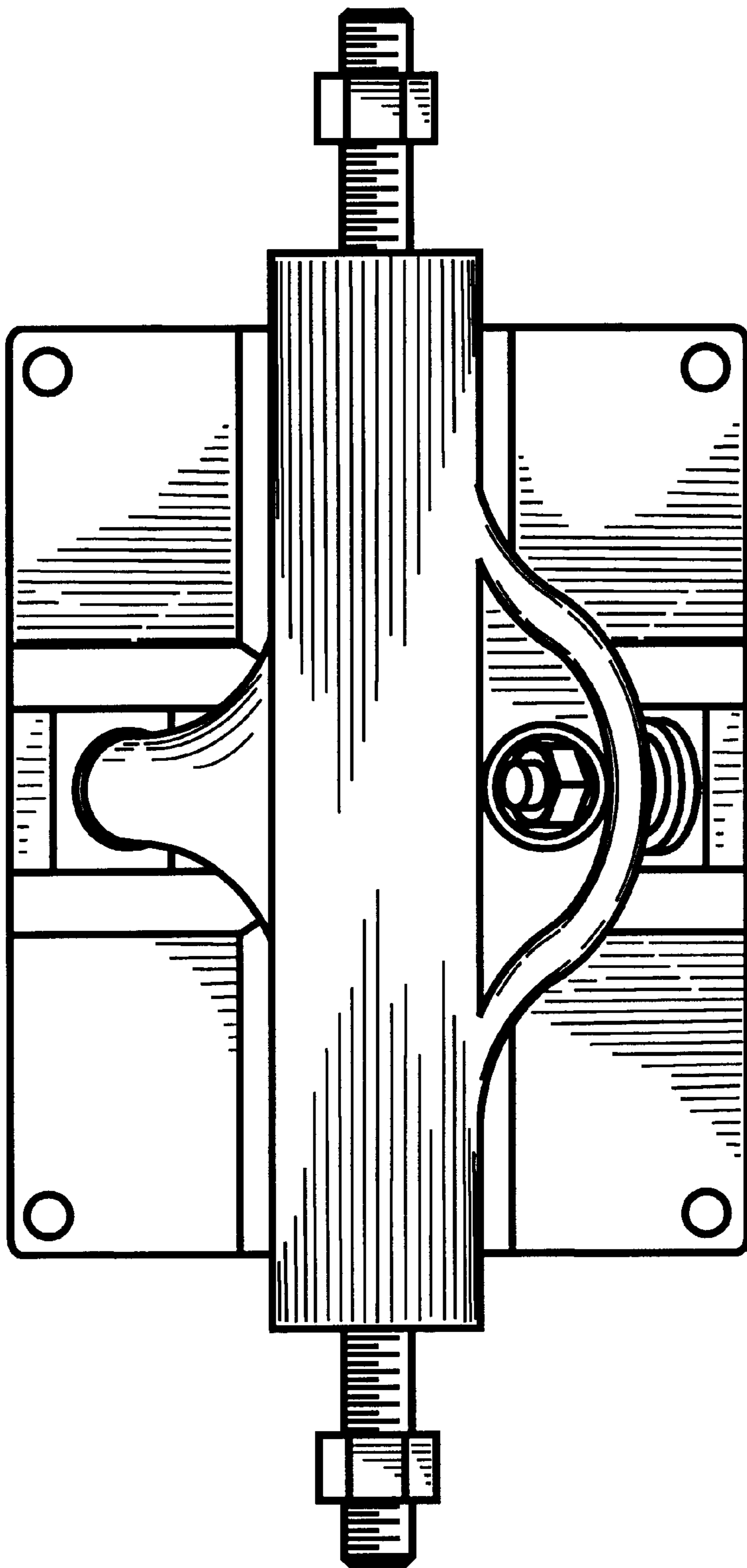


Figure 6