



US00D439943S

(12) **United States Design Patent**
Webber et al.

(10) **Patent No.:** **US D439,943 S**

(45) **Date of Patent:** **** Apr. 3, 2001**

(54) **EXERCISE ARM UNIT FOR AN EXERCISE MACHINE**

(75) Inventors: **Randall T. Webber**, San Diego;
George M. Zink, Escondido, both of CA (US)

(73) Assignee: **Hoist Fitness Systems**, San Diego, CA (US)

(**) Term: **14 Years**

(21) Appl. No.: **29/118,746**

(22) Filed: **Feb. 15, 2000**

(51) **LOC (7) Cl.** **21-02**

(52) **U.S. Cl.** **D21/694**

(58) **Field of Search** D21/673, 675,
D21/676, 684, 694; 482/92, 97, 98, 100,
133, 134, 135, 137, 138

(56) **References Cited**

U.S. PATENT DOCUMENTS

D. 347,041	*	5/1994	Calderone	D21/694
D. 384,117	*	9/1997	Piaget et al.	D21/676
4,720,096	*	1/1988	Rogers	482/106
4,949,951		8/1990	Deola	482/97
5,181,896		1/1993	Jones	482/97
5,437,589		8/1995	Habing	482/72
5,562,577		10/1996	Nichols, Sr. et al.	482/97
5,582,564		12/1996	Nichols, Sr. et al.	482/97
5,643,152		7/1997	Simonson	482/97
5,683,334		11/1997	Webber	482/100
5,810,701		9/1998	Ellis et al.	482/136
5,916,072		6/1999	Webber	482/100
5,967,954		10/1999	Habing	482/137
5,997,447		12/1999	Giannelli et al.	482/100
6,004,247		12/1999	Webber	482/100

OTHER PUBLICATIONS

- Polaris, Upper Torso Machines, brochure, 1983, p. 2.
- Hoist Fitness Systems, brochure, 1989.
- GYM80, Butterfly with Start Assistance, brochure, 1994.
- Icarian, Rear Delt/Pec Fly, brochure, 1993.
- Bodymasters, Pec Contractor Rear Deltoid Machine, brochure, date unknown, p. 11.
- Cadex, Chest Press & Fly, advertisement, 1997.
- Schnell, Pectorals Machine (Discs), advertisement, date unknown.
- Life Fitness, Rear Deltoid/Pectoral Fly, brochure, 1997.
- Flex, Deltoid Fly, brochure, Oct. 1998.
- Linear Stairmaster, brochure, date unknown.
- Pacific Fitness, brochure, 1998.
- Bill Pearl, Getting Stronger, brochure, 1986.
- Paramount, Rotary Chest Press, brochure, 1997.
- Paramount, A.R.T., brochure, 1997.

* cited by examiner

Primary Examiner—Philip S. Hyder

(74) *Attorney, Agent, or Firm*—Brown, Martin, Haller & McClain, LLP

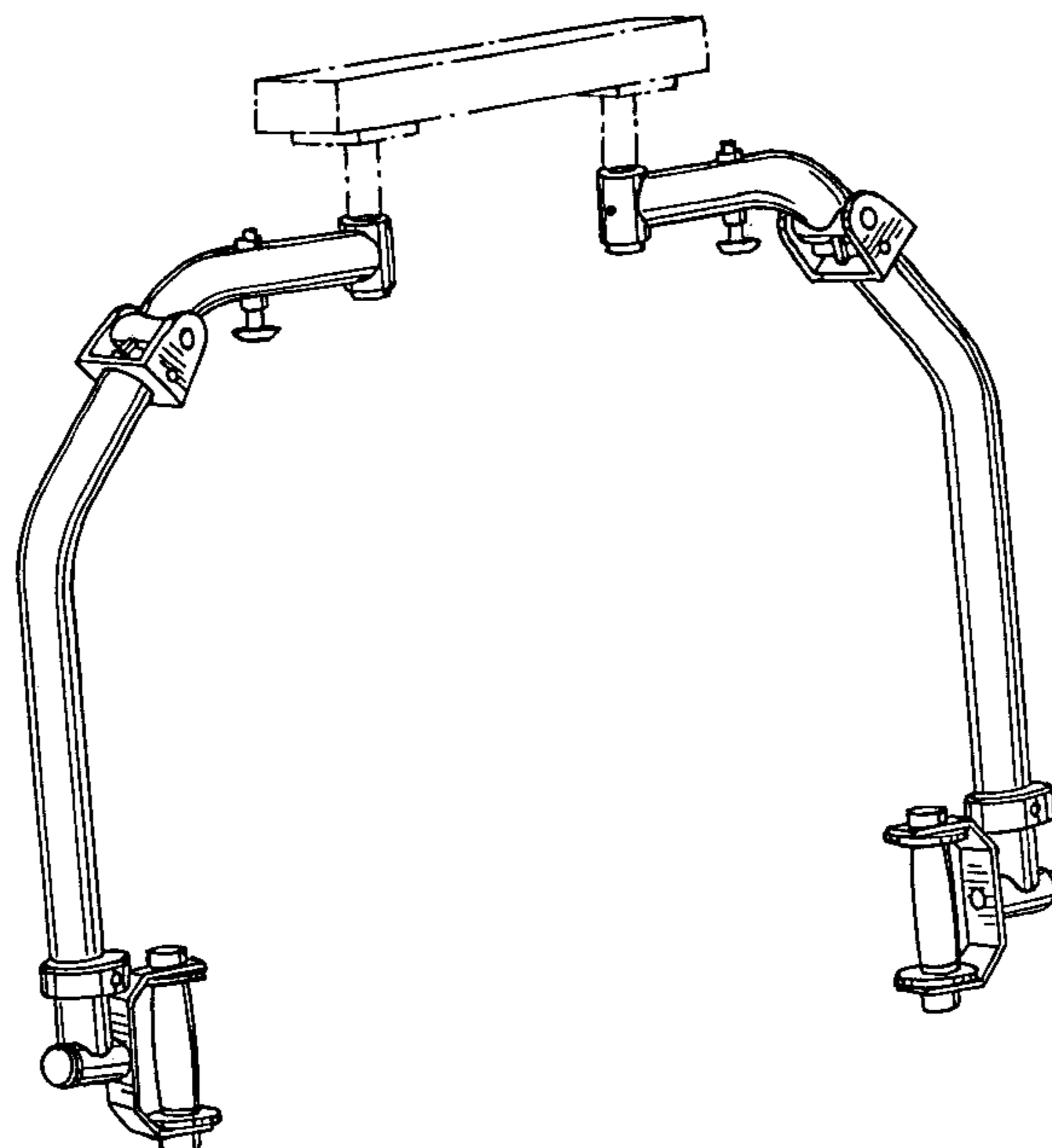
(57) **CLAIM**

The ornamental design for an exercise arm unit for an exercise machine, as shown.

DESCRIPTION

FIG. 1 is a front perspective view of an exercise arm unit for an exercise machine showing our new design; FIG. 2 is a top plan view thereof; and, FIG. 3 is a rear view thereof. The broken line portions of the disclosure are for illustrative purposes only and form no part of the claimed design.

1 Claim, 2 Drawing Sheets



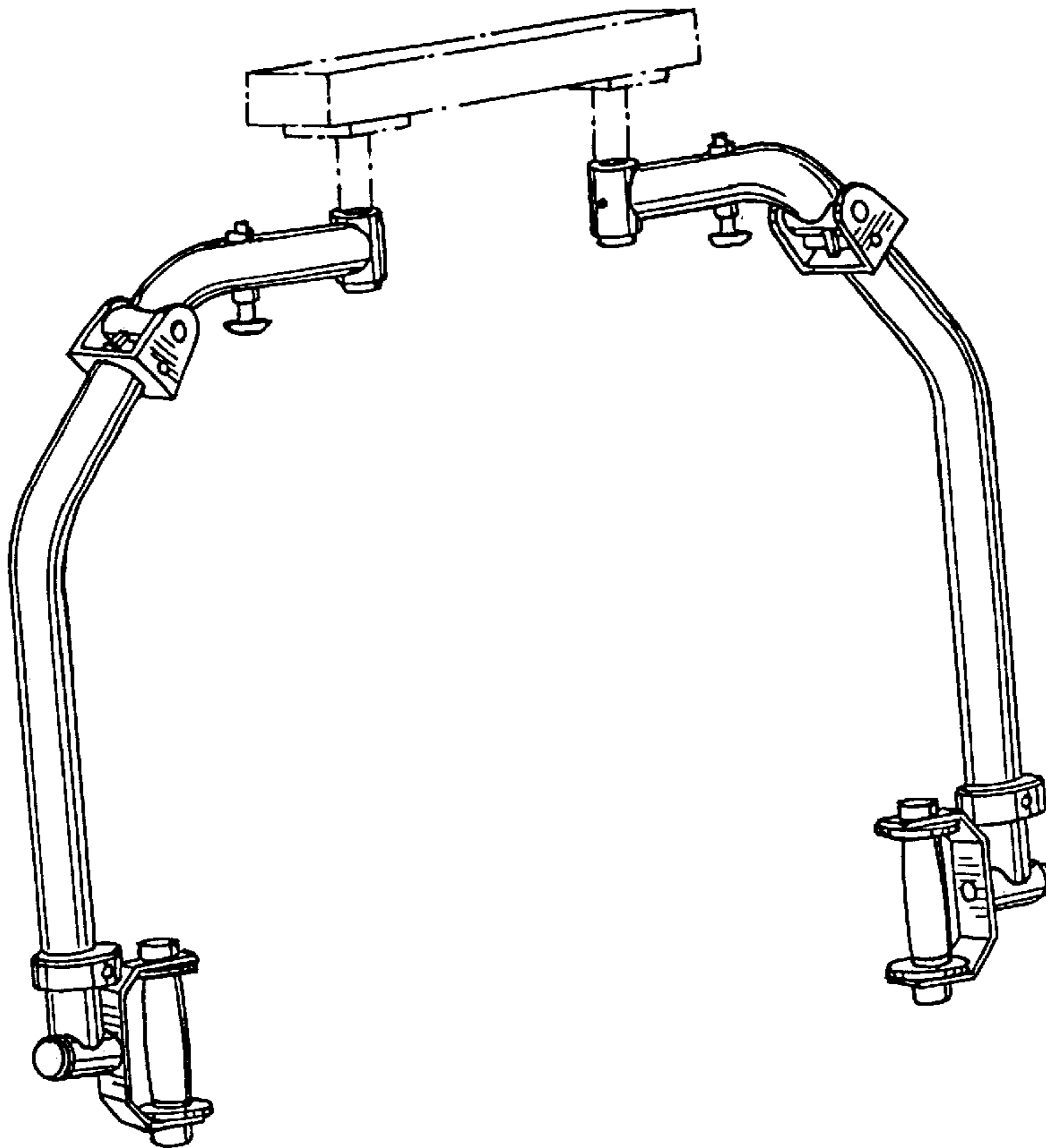


FIG. 1

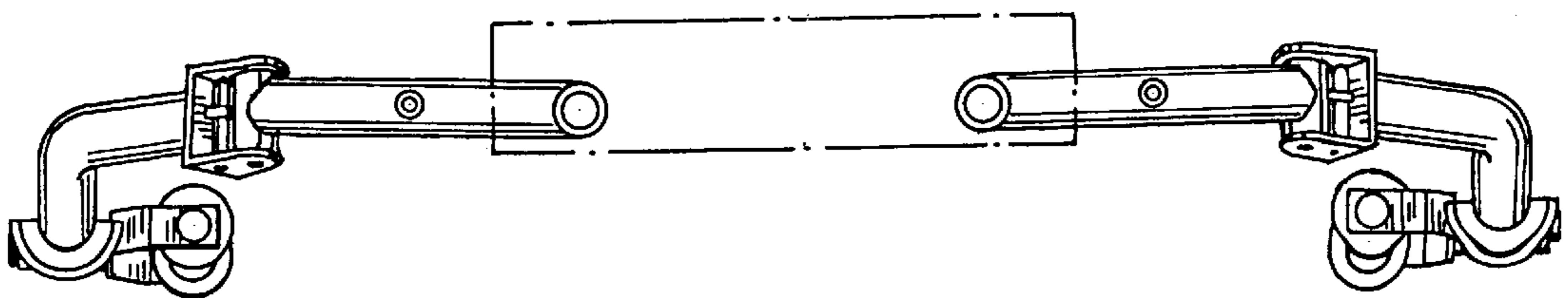


FIG. 2

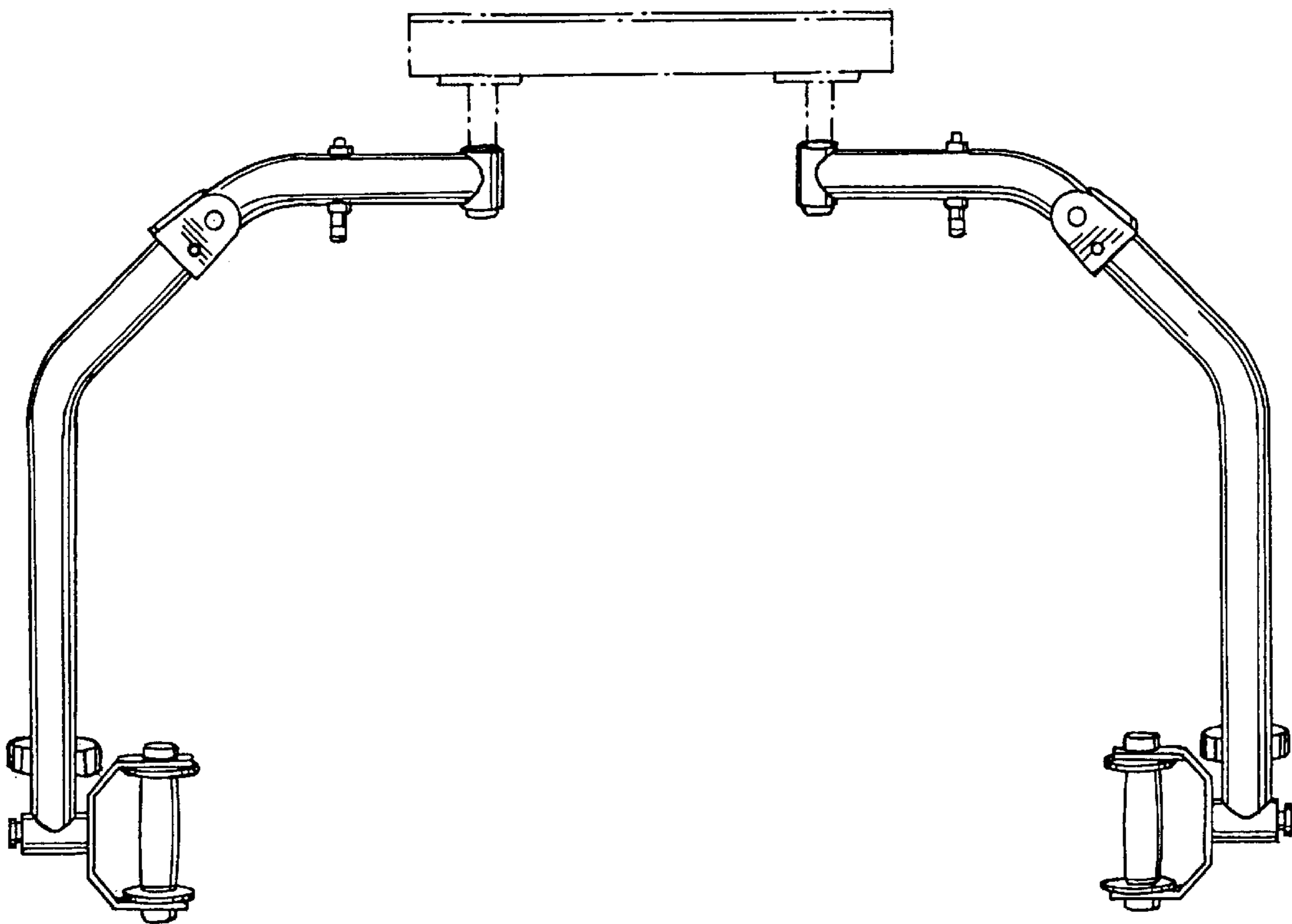


FIG. 3