



US00D439942S

(12) **United States Design Patent**
Ray

(10) **Patent No.:** **US D439,942 S**

(45) **Date of Patent:** **** Apr. 3, 2001**

(54) **EXERCISE EQUIPMENT HANDLE**

5,910,073 * 6/1999 Conner 482/83
5,921,903 * 7/1999 Lawrence 482/140

(76) **Inventor:** **Judy Ray**, 2725 Southhampton Rd.,
Carlsbad, CA (US) 92008

* cited by examiner

(**) **Term:** **14 Years**

Primary Examiner—Philip S. Hyder
(74) *Attorney, Agent, or Firm*—Perman & Green, LLP

(21) **Appl. No.:** **29/117,875**

(57) **CLAIM**

(22) **Filed:** **Feb. 1, 2000**

I claim the ornamental design for an exercise equipment handle, as shown and described.

(51) **LOC (7) Cl.** **21-02**

(52) **U.S. Cl.** **D21/694; D21/662**

(58) **Field of Search** D21/662, 694,
D21/684; 482/91, 92, 120, 121, 122, 125,
126

DESCRIPTION

FIG. 1 is a top, front and right side perspective view showing my new design;
FIG. 2 is a top plan view thereof, the bottom plan view being a mirror image thereof;
FIG. 3 is a front elevation view thereof;
FIG. 4 is a right side elevation view thereof, the left side being a mirror image thereof; and,
FIG. 5 is a rear elevation view thereof.

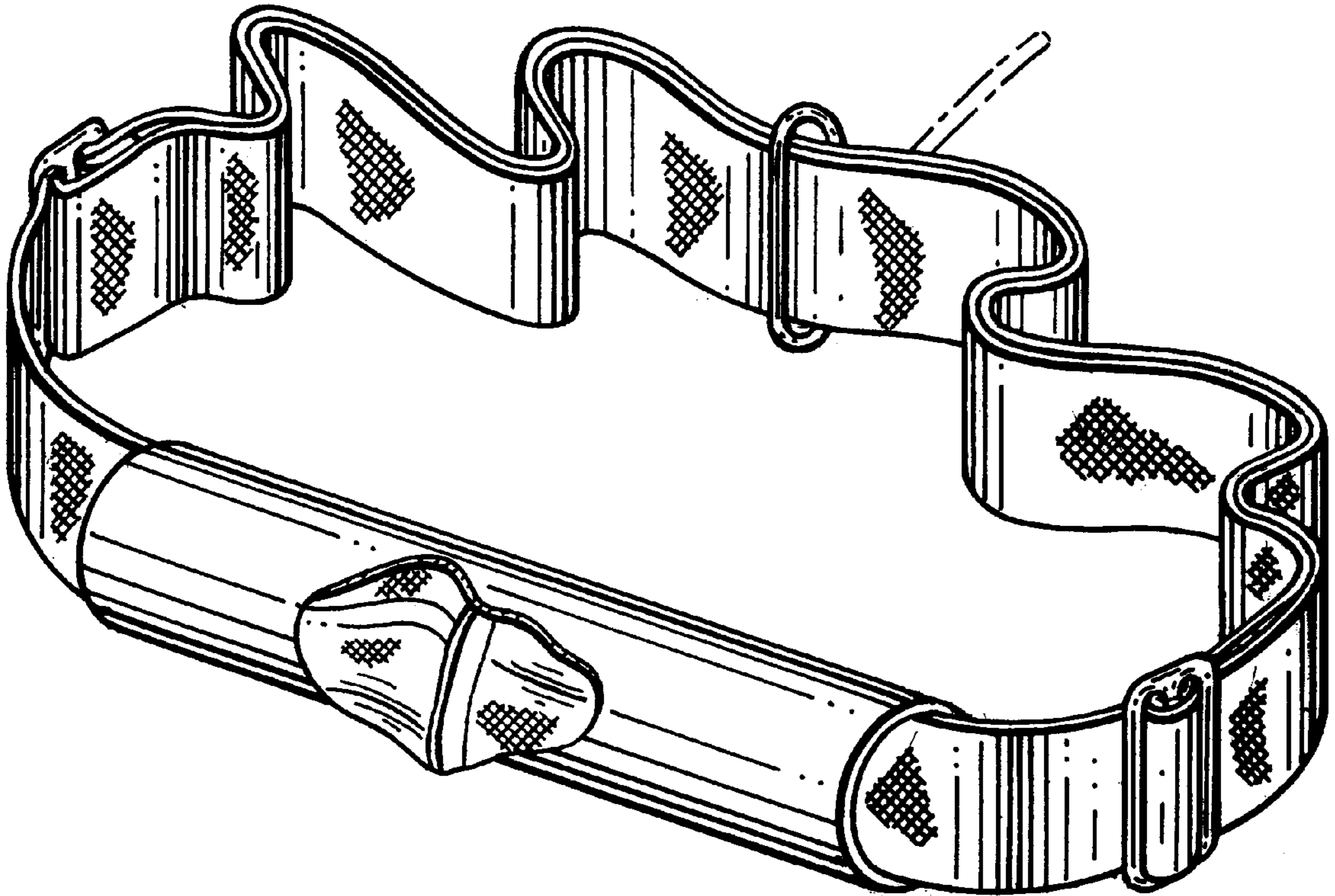
The broken lines showing the exercise equipment string and attachment post on the buckle at the rear of the handle is for illustrative purposes only and forms no part of the claimed invention.

(56) **References Cited**

U.S. PATENT DOCUMENTS

D. 346,632	*	5/1994	Castellanos	D21/662
D. 406,287	*	3/1999	Carver	D21/662
D. 424,762	*	5/2000	Nasser	.	
4,245,840	*	1/1981	Van Housen	482/124
4,552,356	*	11/1985	Brousseau	482/125
4,909,505	*	3/1990	Tee	482/125
5,518,486	*	5/1996	Sheeler	482/131
5,857,945	*	1/1999	Papp et al.	482/125

1 Claim, 2 Drawing Sheets



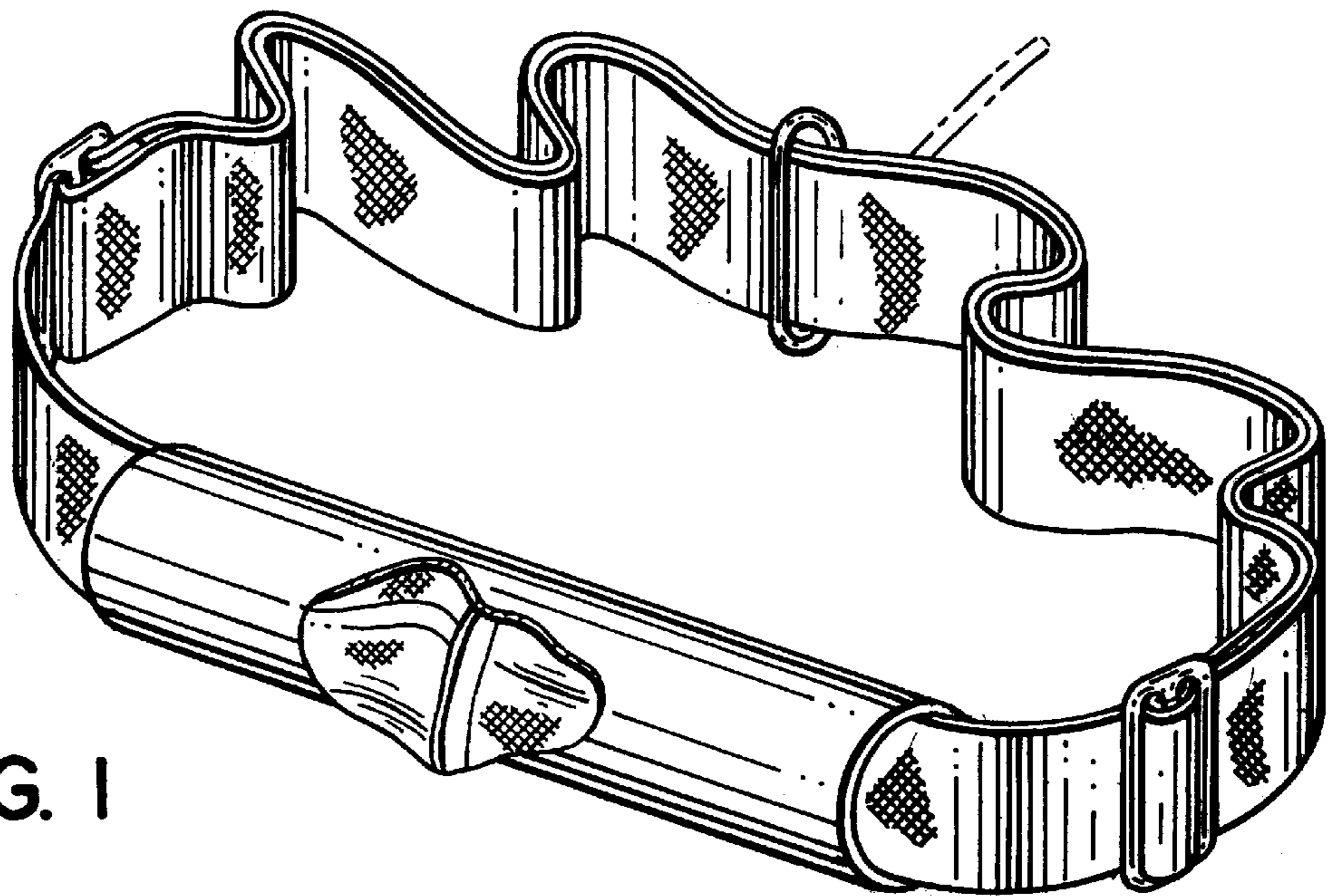


FIG. 1

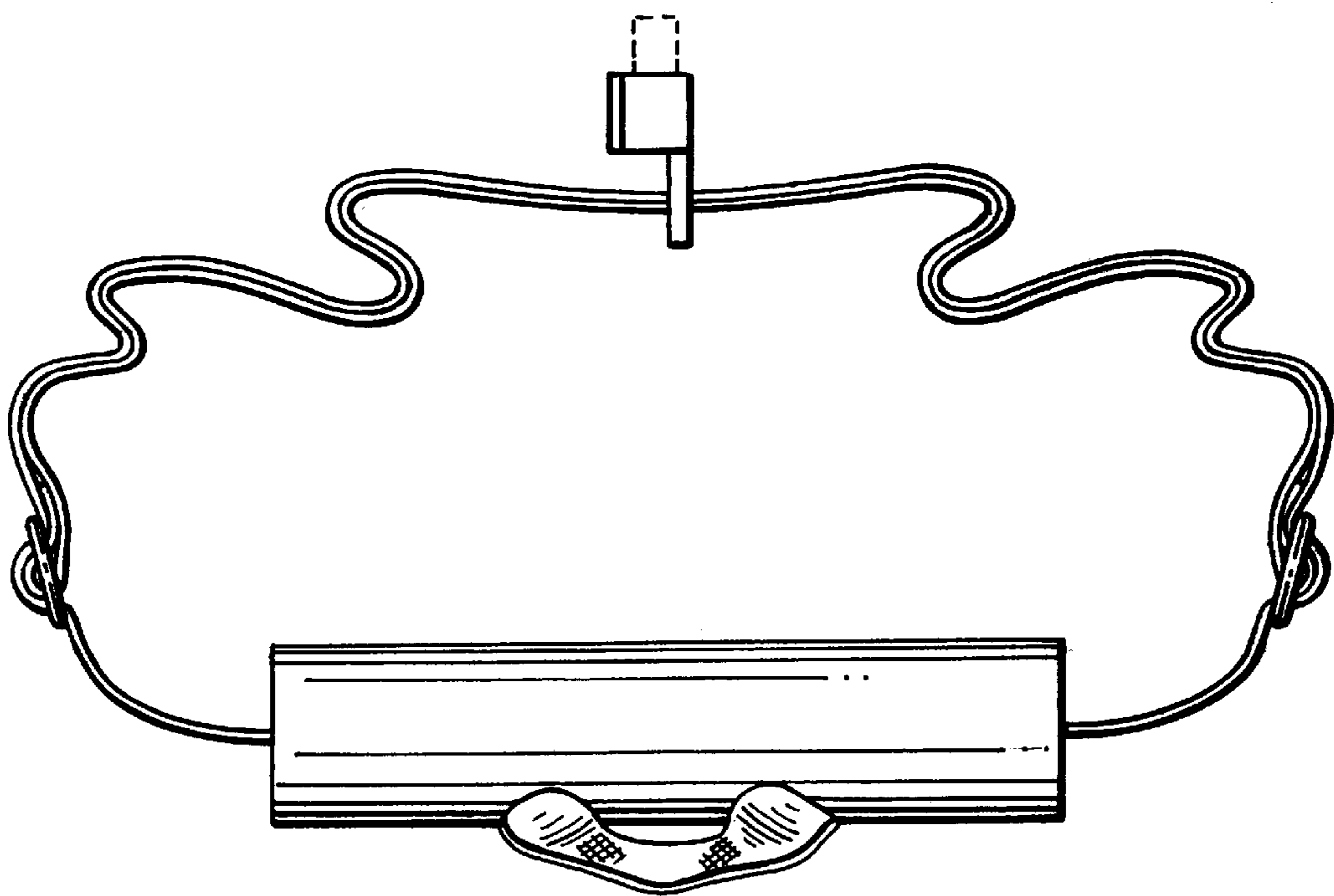


FIG. 2

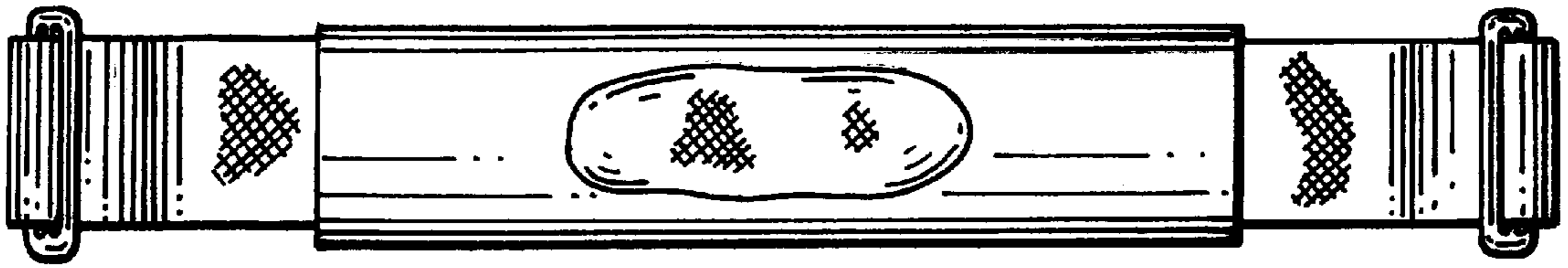


FIG. 3

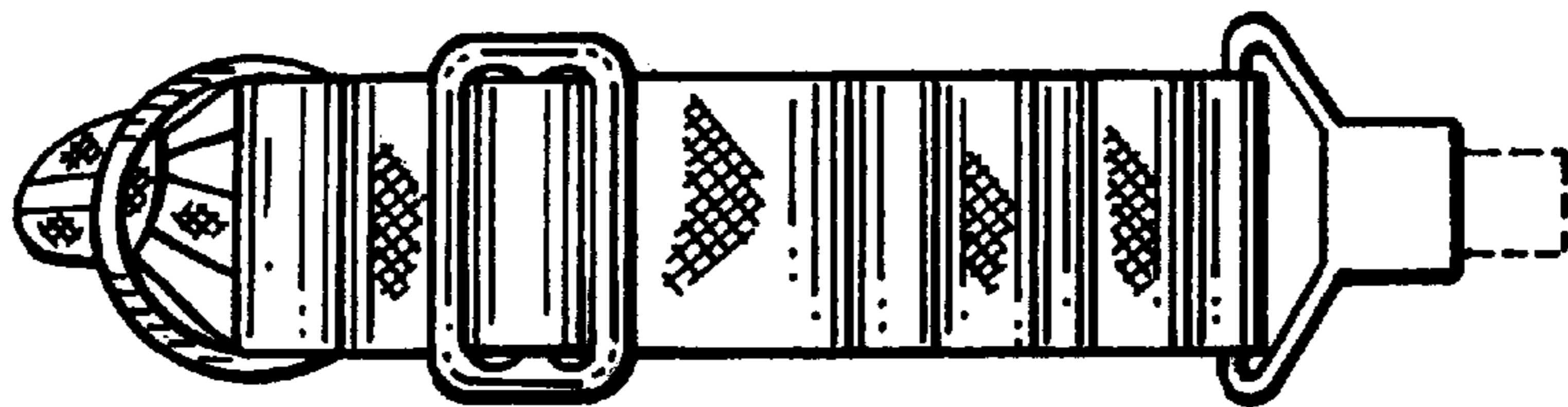


FIG. 4

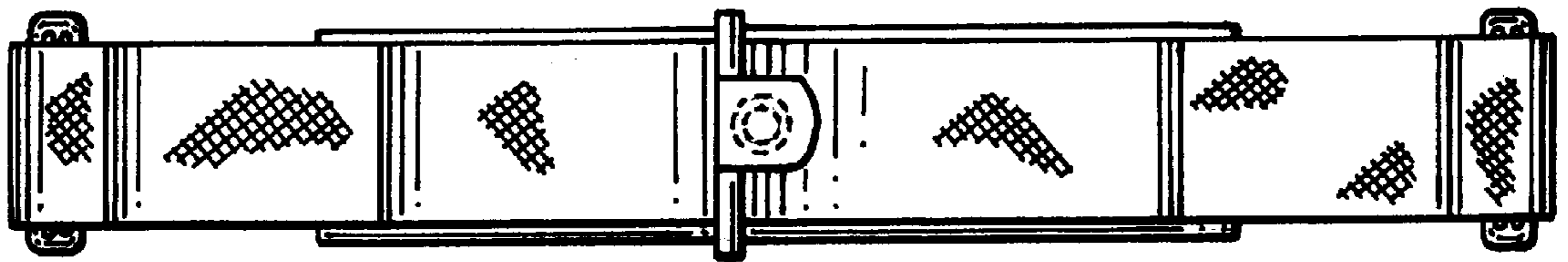


FIG. 5