



US00D439941S

(12) **United States Design Patent**
Batca et al.

(10) **Patent No.:** **US D439,941 S**
(45) **Date of Patent:** **** Apr. 3, 2001**

(54) **CHEST PRESS AND PEC FLY EXERCISE MACHINE**

(76) Inventors: **L. Ron Batca; Roger Batca**, both of
3102 Shaftsbury St., Durham, NC (US)
27704

(**) Term: **14 Years**

(21) Appl. No.: **29/113,560**

(22) Filed: **Nov. 5, 1999**

(51) **LOC (7) Cl.** **21-02**

(52) **U.S. Cl.** **D21/676; D21/675**

(58) **Field of Search** D21/662, 673,
D21/674, 675, 676; 482/97, 98, 129, 130,
133, 131, 135, 138, 142

(56) **References Cited**

U.S. PATENT DOCUMENTS

D. 303,558	*	9/1989	Alessandri	D21/675
D. 321,027	*	10/1991	Jones	D21/676
D. 330,238	*	10/1992	Desiderio	D21/675
D. 358,183	*	5/1995	Habling et al.	D21/675
D. 370,040	*	5/1996	Habing et al.	D21/675
5,643,152	*	7/1997	Simonson et al.	482/97
5,749,813	*	5/1998	Domzalski	482/97
5,938,574	*	8/1999	Webber	482/138

OTHER PUBLICATIONS

Pamphlet entitled "M4 The Ultimate in Fitness Training" (4 pages).
Pamphlet entitled "Personal Trainer 2000" (2 pages).
Pamphlet entitled "Personal Trainer 2100" (2 pages).
Pamphlet entitled "Ultra Trainer 3000" (2 pages).
Pamphlet entitled "Ultra Trainer 3100" (2 pages).
Paramount Fitness Corp. Publication, 1997.*

* cited by examiner

Primary Examiner—Philip S. Hyder

(74) *Attorney, Agent, or Firm*—Coats & Bennett, PLLC

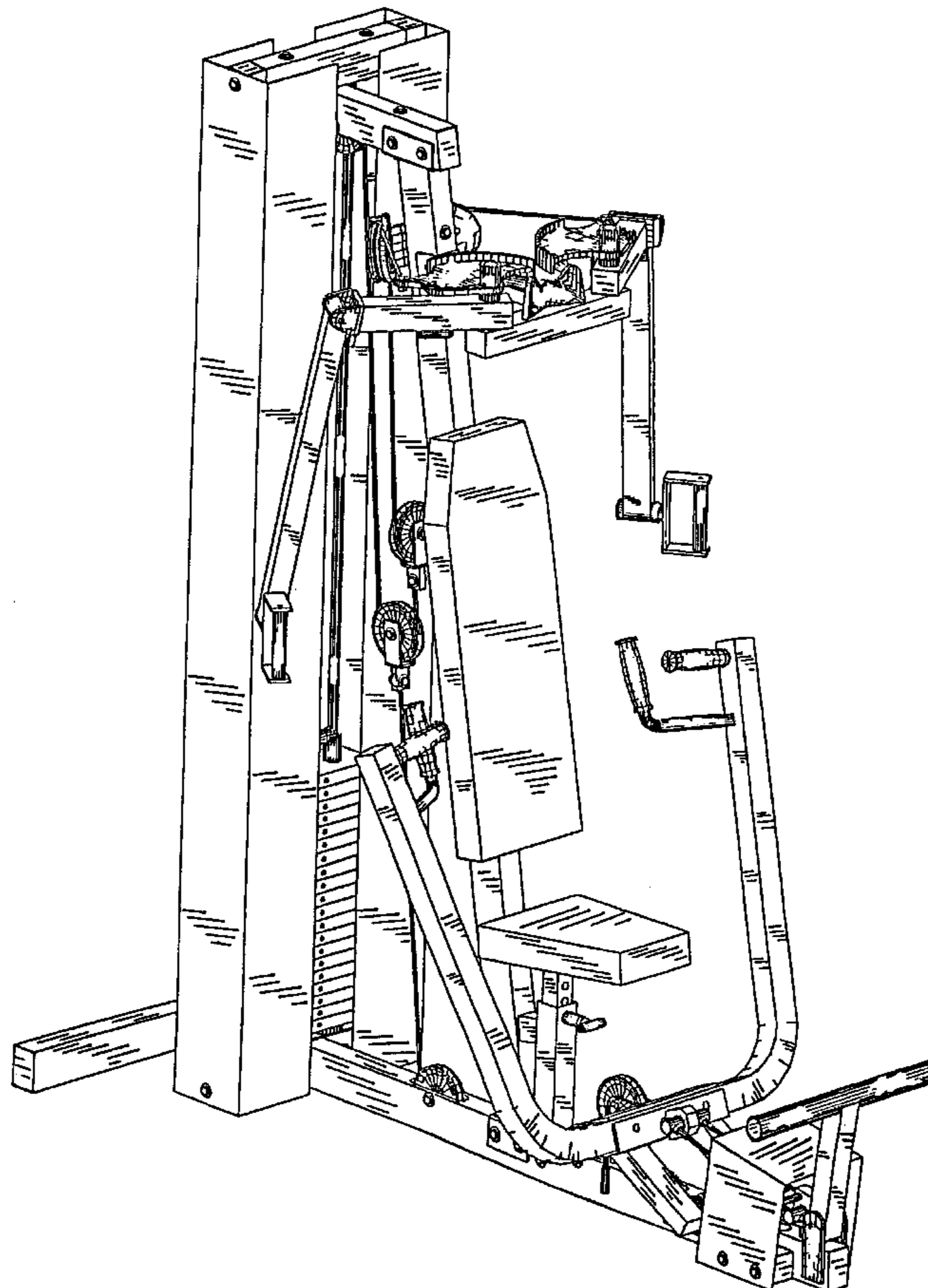
(57) **CLAIM**

The ornamental design for a chest press and pec fly exercise machine, as shown and described.

DESCRIPTION

FIG. 1 is a front view of the chest press and pec fly exercise machine in accordance with the present invention;
FIG. 2 is a right side view of the present invention;
FIG. 3 is a back view of the present invention;
FIG. 4 is a left side view of the present invention;
FIG. 5 is a top view of the present invention;
FIG. 6 is a front perspective view of the present invention;
and,
FIG. 7 is a back perspective view of the present invention.

1 Claim, 7 Drawing Sheets



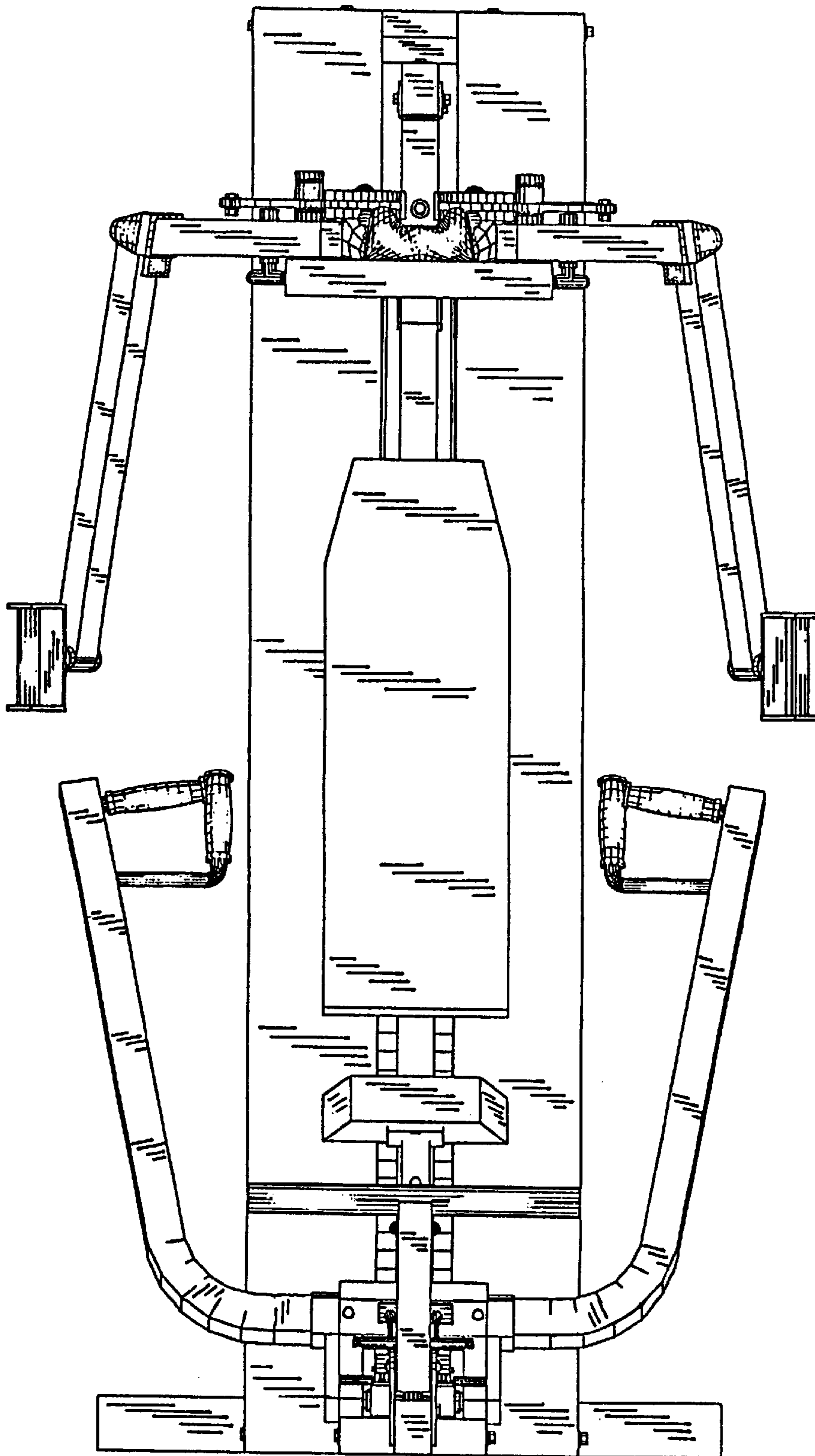
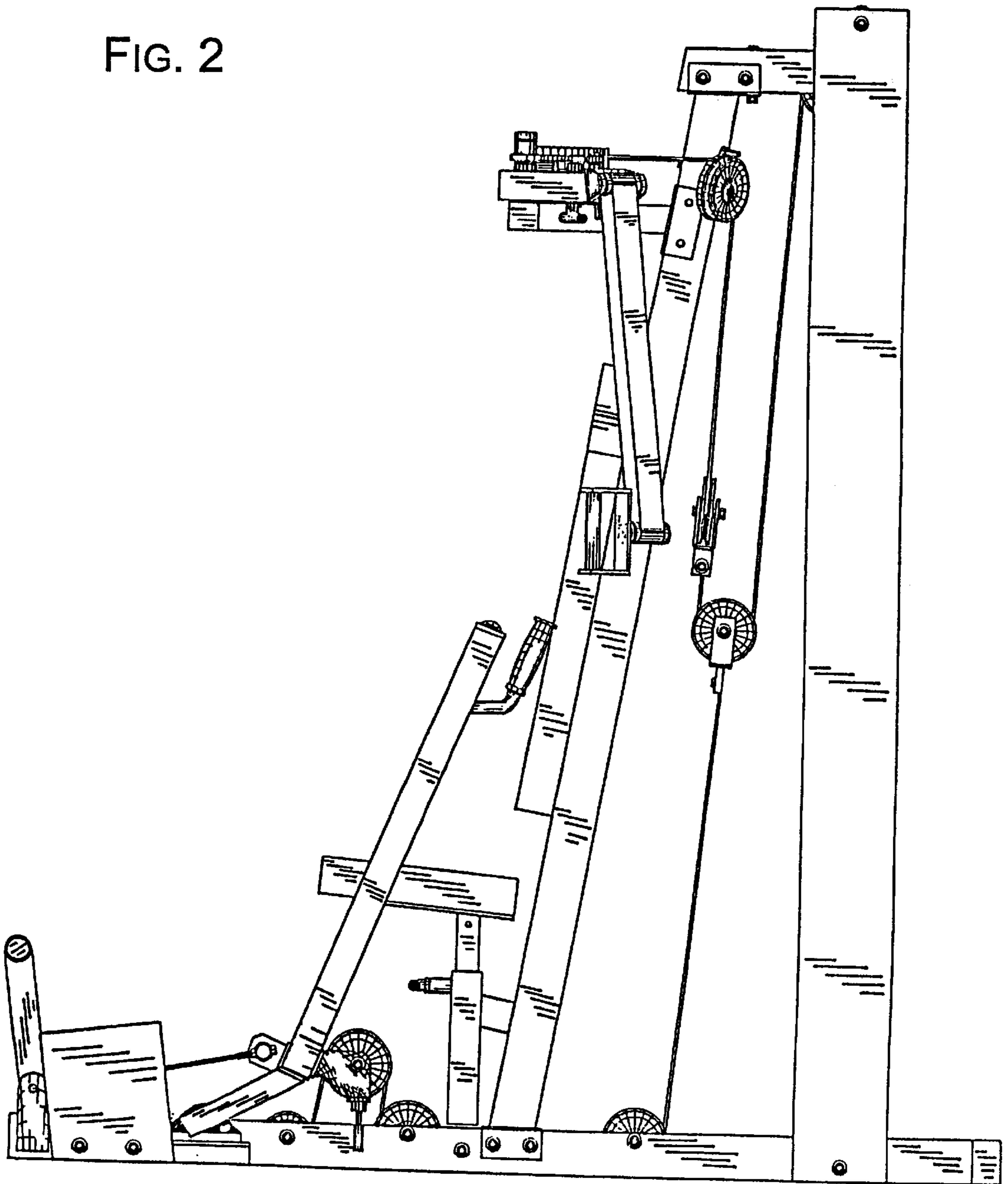


FIG. 1

FIG. 2



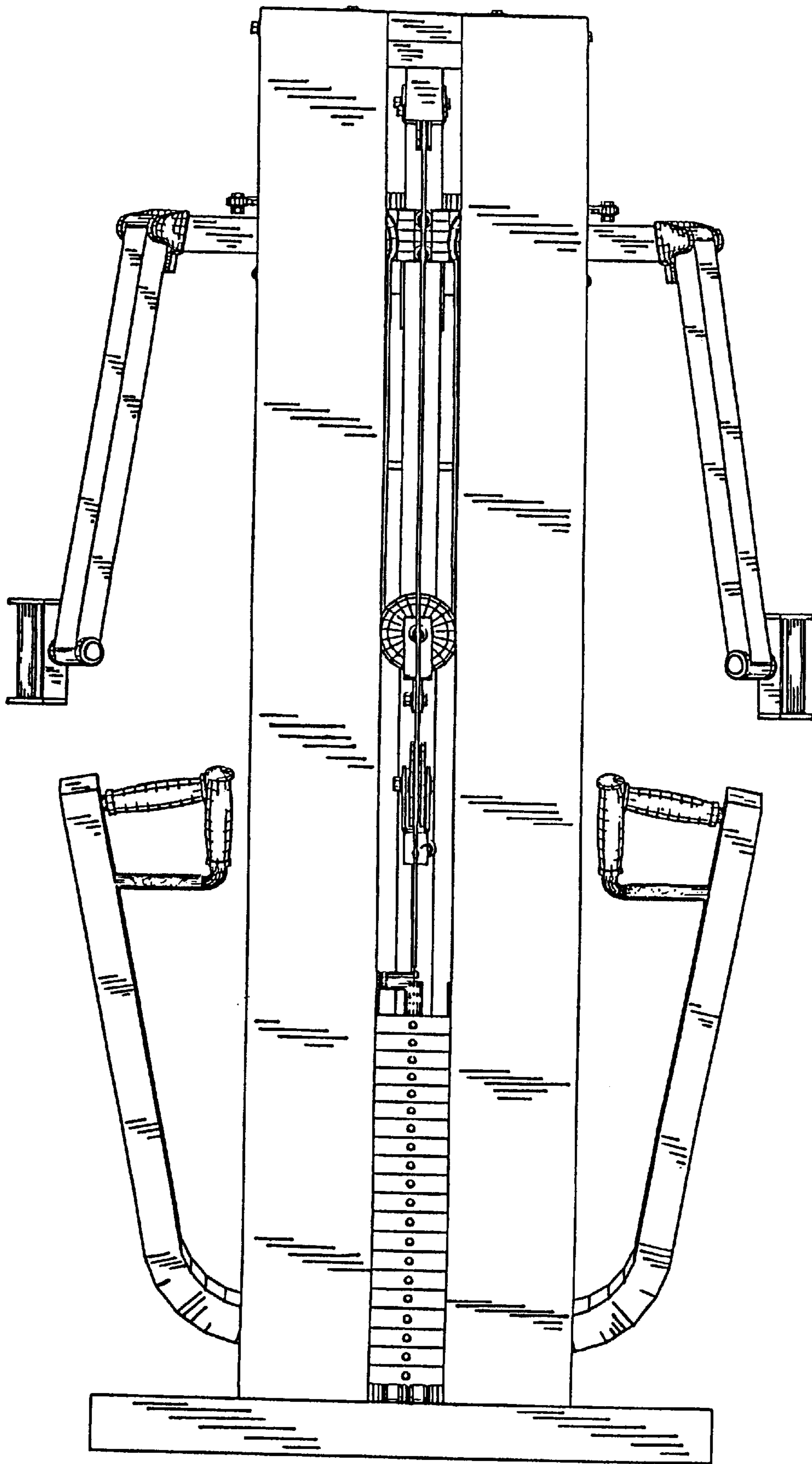


FIG. 3

FIG. 4

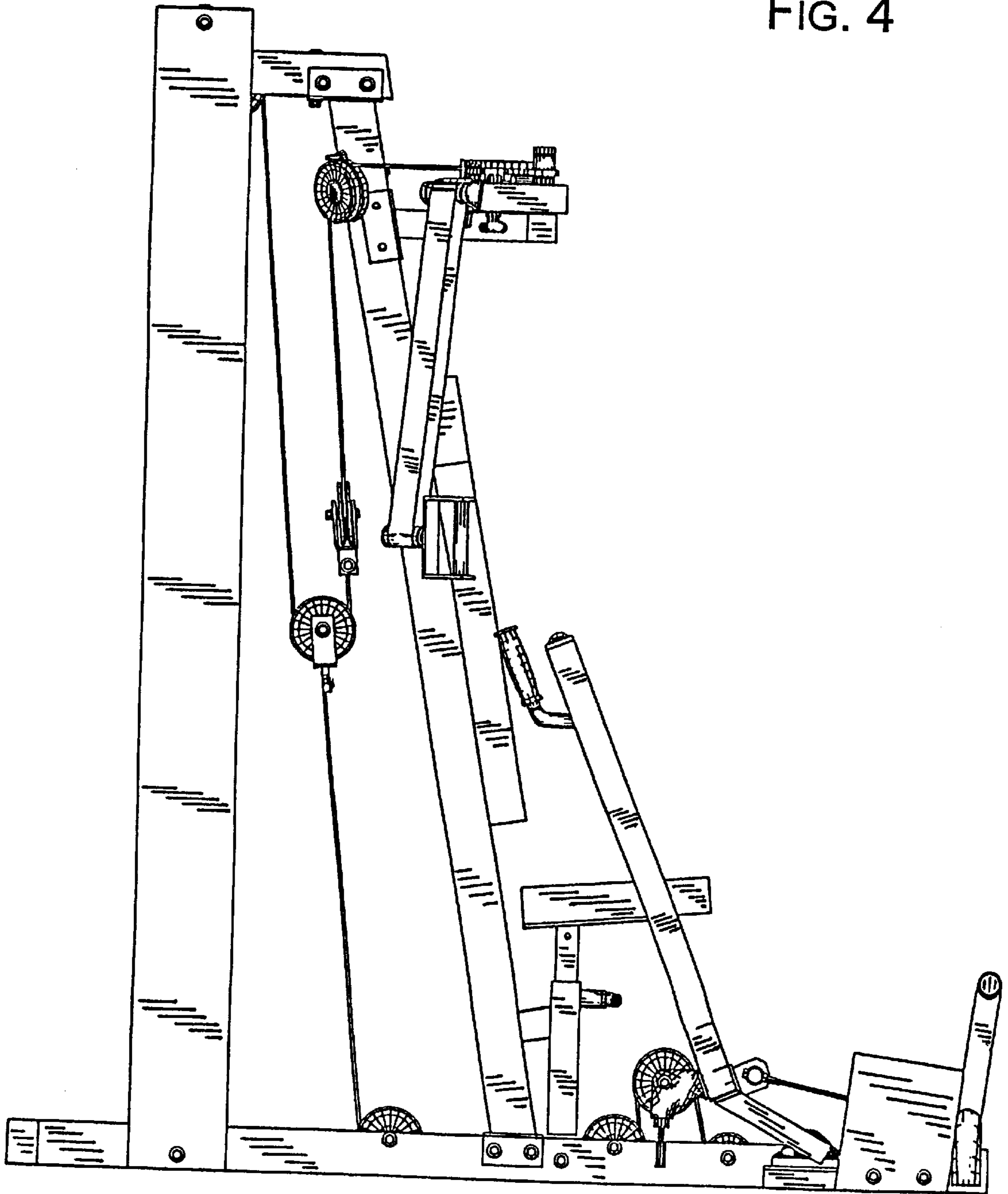
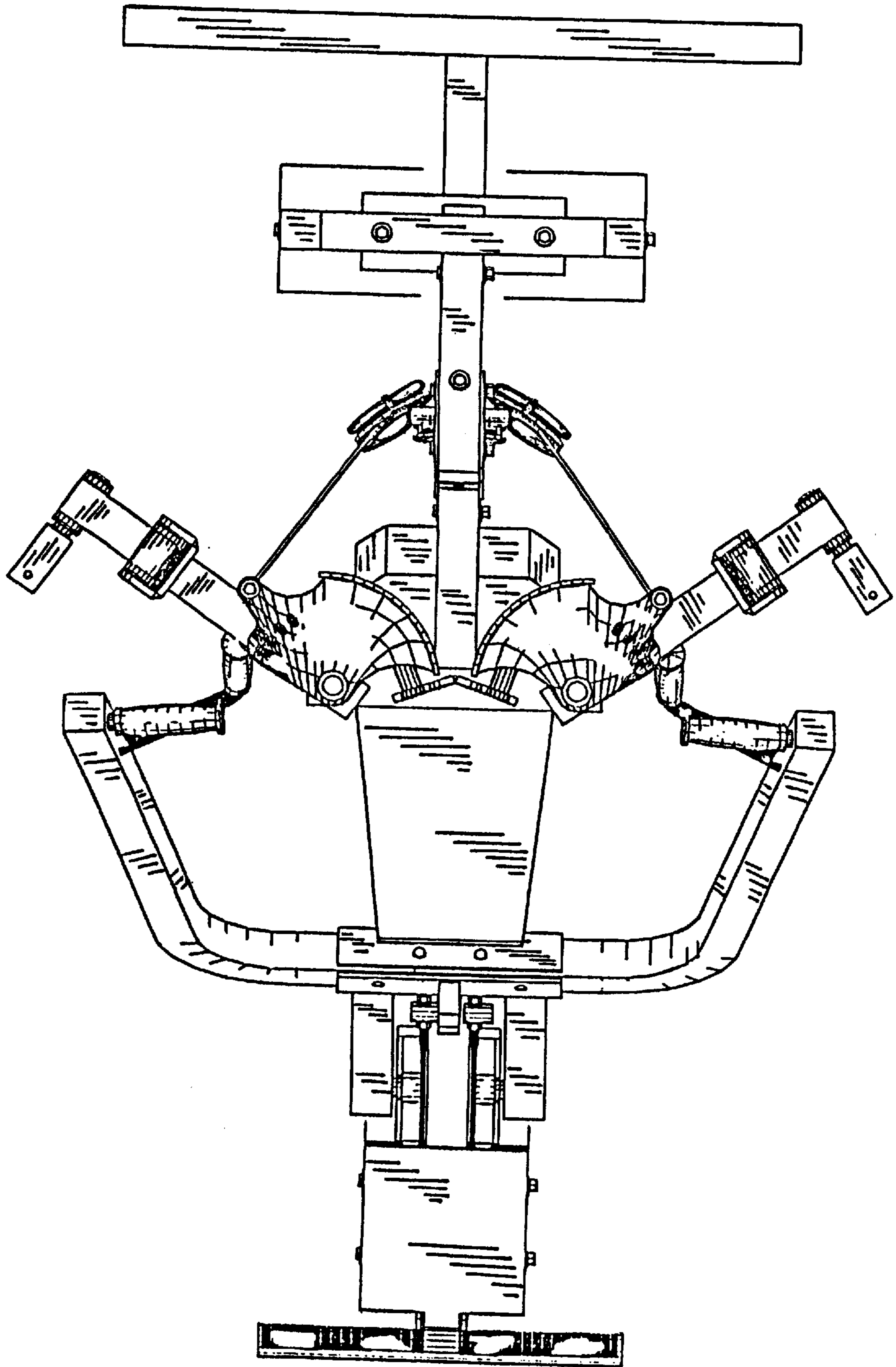


FIG. 5



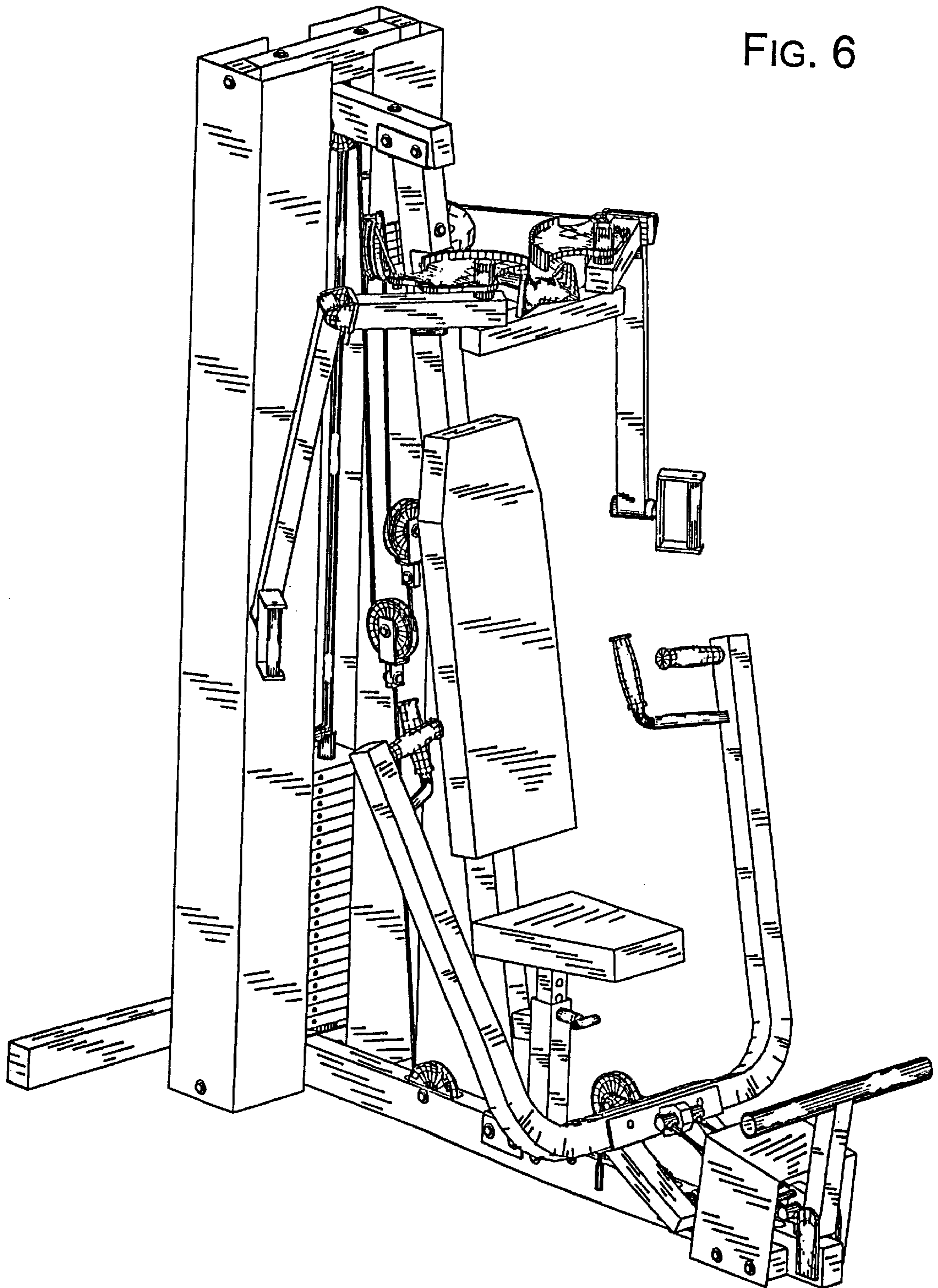


FIG. 6

FIG. 7

