



US00D439939S

(12) **United States Design Patent**  
**Batca et al.**

(10) **Patent No.:** **US D439,939 S**

(45) **Date of Patent:** **\*\* Apr. 3, 2001**

(54) **HIGH PULLEY AND MID ROW EXERCISE MACHINE**

(76) Inventors: **L. Ron Batca; Roger Batca**, both of  
3102 Shaftsbury St., Durham, NC (US)  
27704

(\*\*) Term: **14 Years**

(21) Appl. No.: **29/113,516**

(22) Filed: **Nov. 5, 1999**

(51) **LOC (7) Cl.** ..... **21-02**

(52) **U.S. Cl.** ..... **D21/676; D21/675**

(58) **Field of Search** ..... D21/662, 673,  
D21/675, 674, 676; 482/97, 98, 129, 130,  
131, 133, 135, 138, 142

(56) **References Cited**

**U.S. PATENT DOCUMENTS**

D. 239,301	*	3/1976	Clarke	.....	D21/675
D. 321,026	*	10/1991	Lones	.....	D21/676
D. 321,387	*	11/1991	Jones	.....	D21/676
5,250,013	*	10/1993	Brangi	.....	482/98
5,304,107	*	4/1994	Jones	.....	482/98
5,549,530	*	8/1996	Fulks	.....	482/142
5,916,072	*	6/1999	Webber	.....	482/138

**OTHER PUBLICATIONS**

Paramount Fitness Corp. Publication, 1997.\*  
Body Master Publication, Chest press, 1998.\*  
Pamphlet entitled "M4 The Ultimate in Fitness Training" (4 pages).

Pamphlet entitled "Personal Trainer 2000" (2 pages).

Pamphlet entitled "Personal Trainer 2100" (2 pages).

Pamphlet entitled "Ultra Trainer 3000" (2 pages).

Pamphlet entitled "Ultra Trainer 3100" (2 pages).

\* cited by examiner

*Primary Examiner*—Philip S. Hyder

(74) *Attorney, Agent, or Firm*—Coats & Bennett, PLLC

(57) **CLAIM**

The ornamental design for a high pulley and mid row exercise machine, as shown and described.

**DESCRIPTION**

FIG. 1 is a front view of the high pulley and mid row exercise machine in accordance with the present invention;

FIG. 2 is a right side view of the present invention;

FIG. 3 is a back view of the present invention;

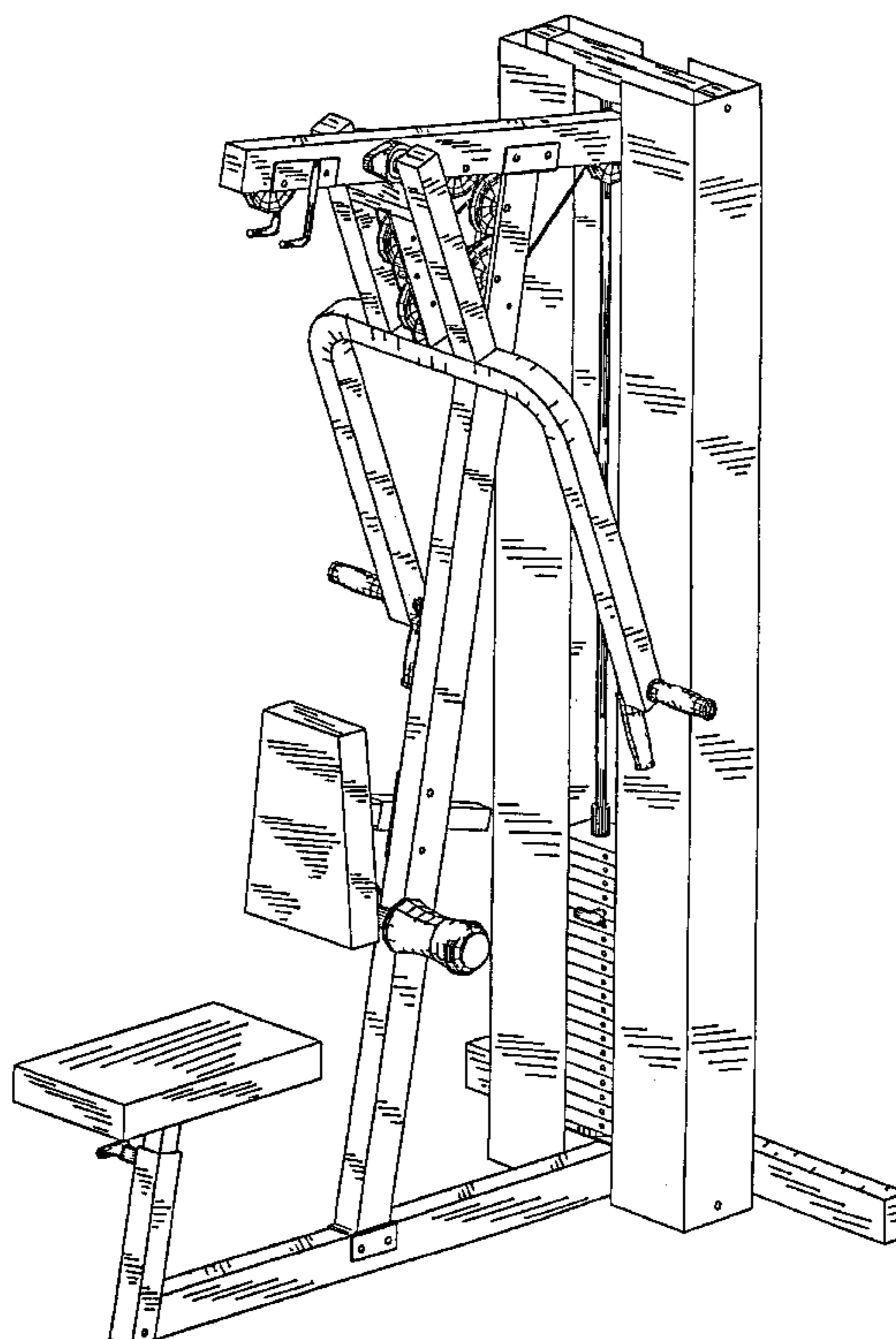
FIG. 4 is a left side view of the present invention;

FIG. 5 is a top view of the present invention;

FIG. 6 is a front perspective view of the present invention; and,

FIG. 7 is a back perspective view of the present invention.

**1 Claim, 7 Drawing Sheets**



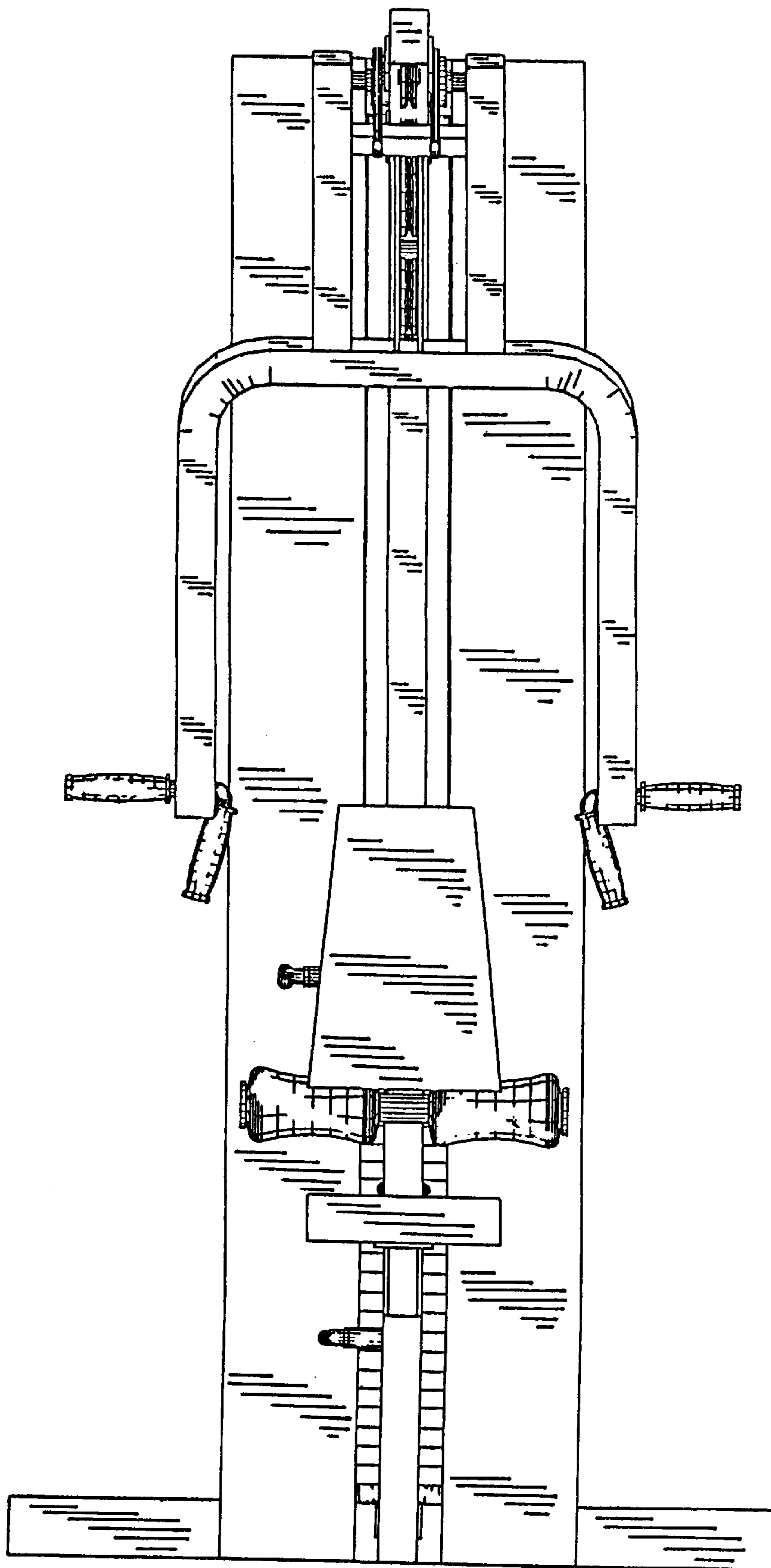
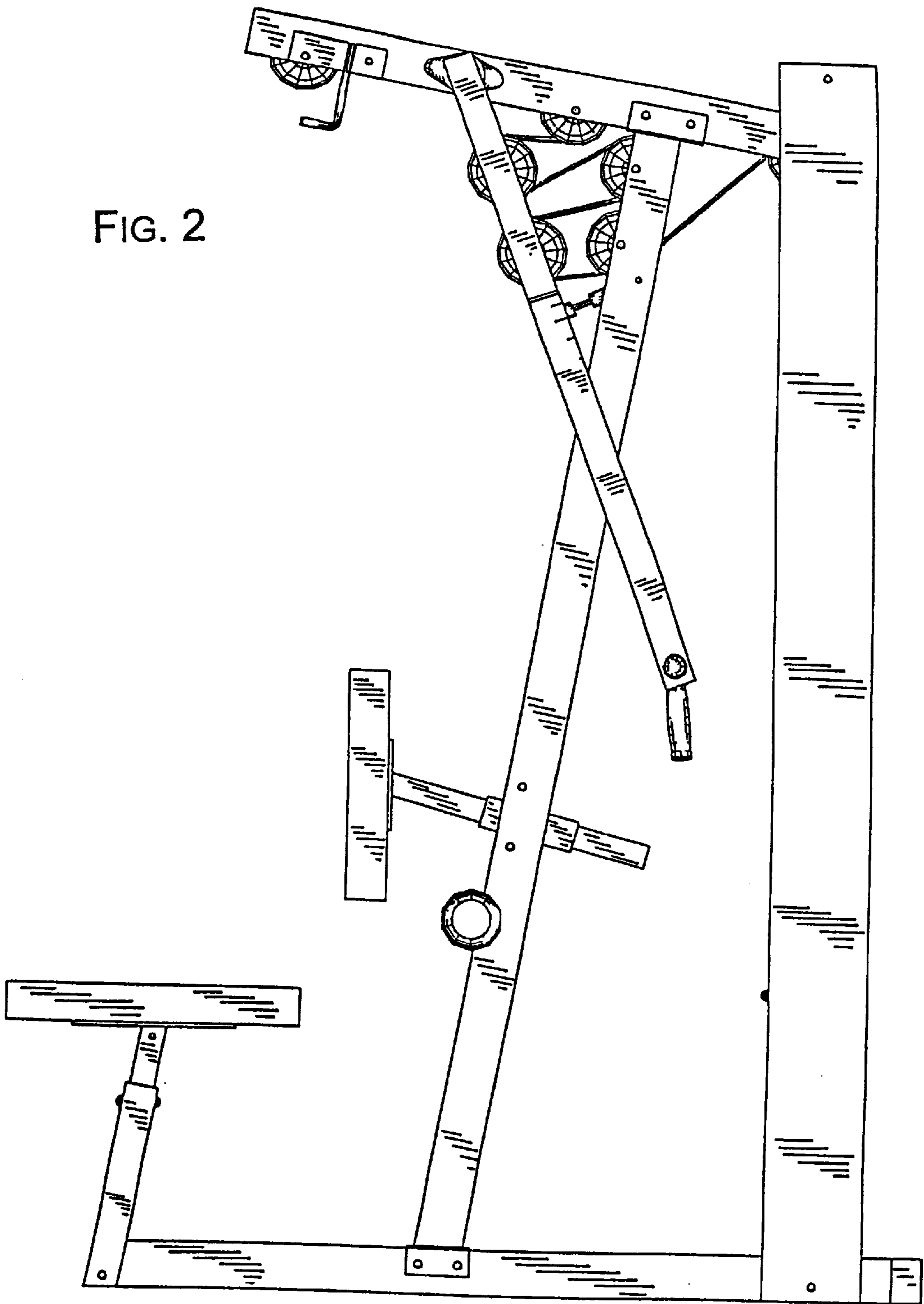


FIG. 1

FIG. 2



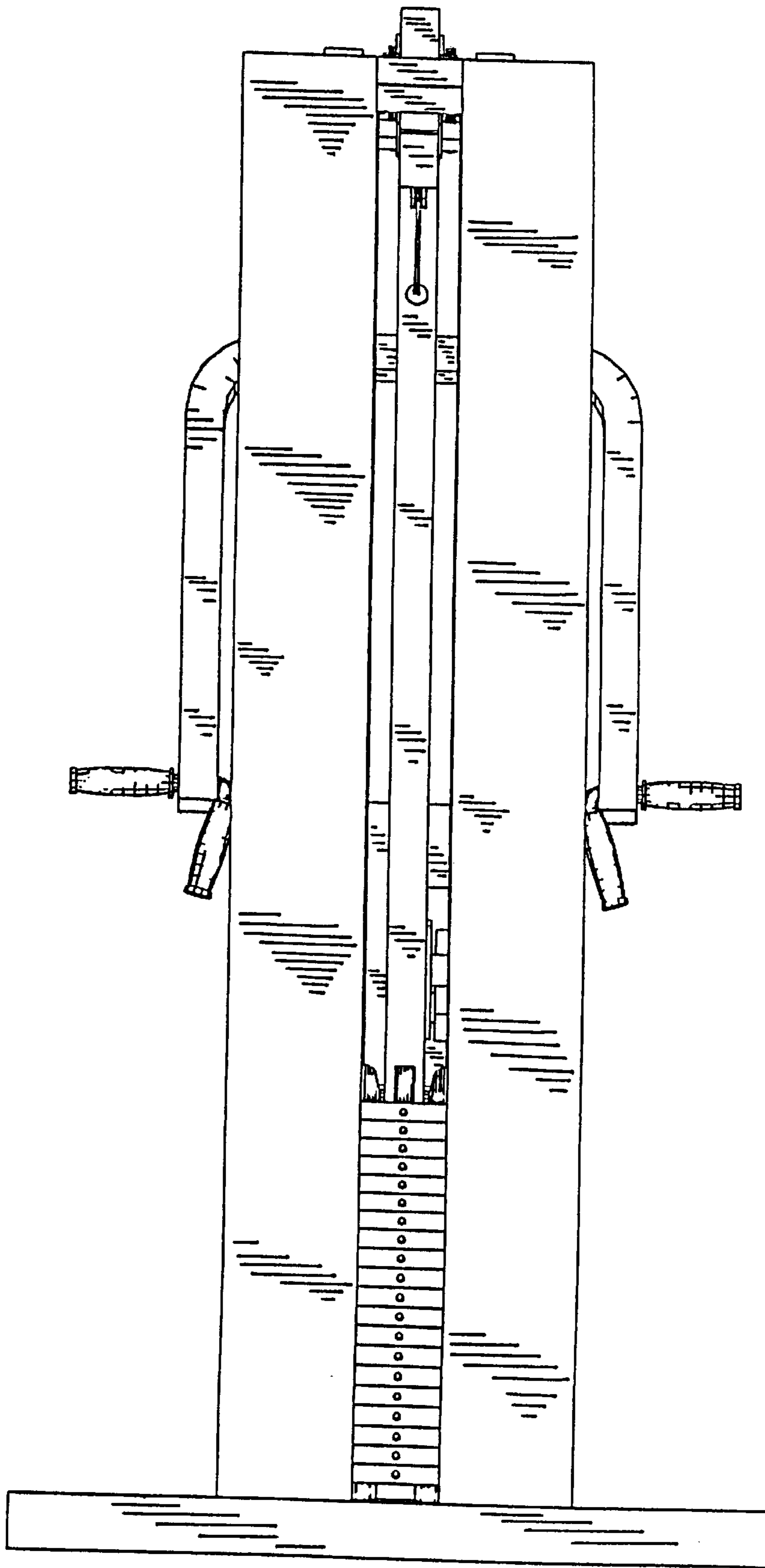


FIG. 3

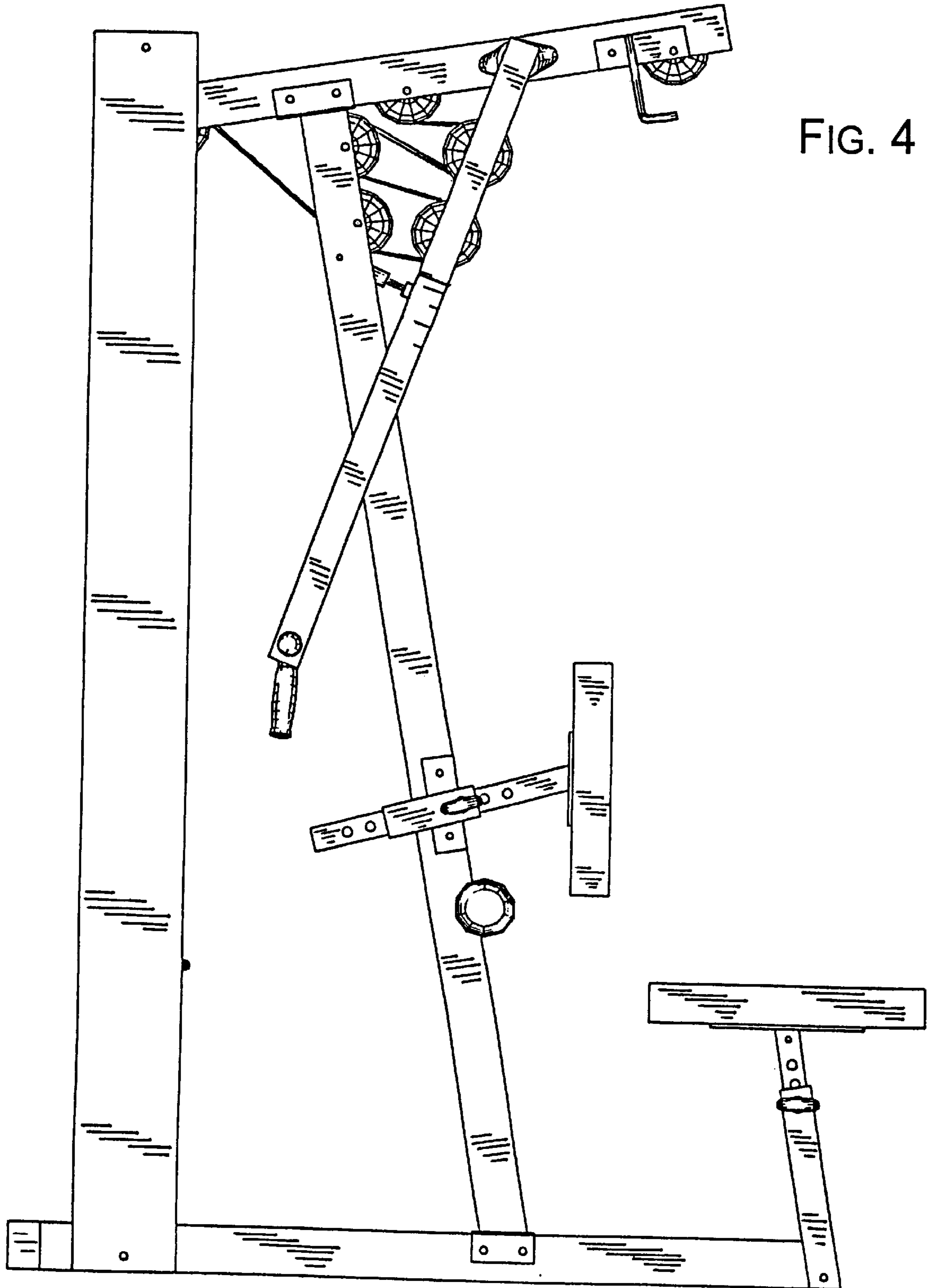


FIG. 4

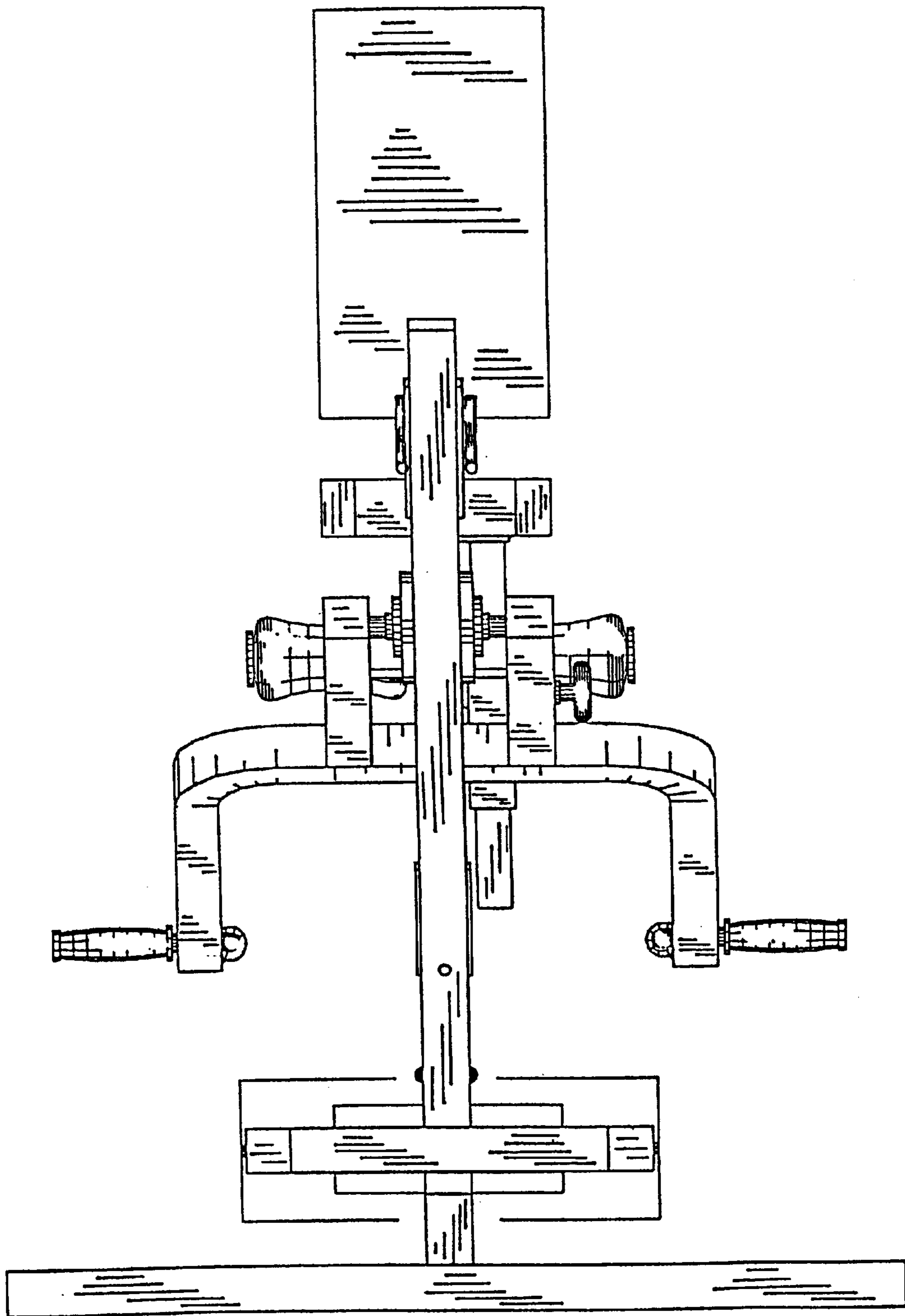


FIG. 5



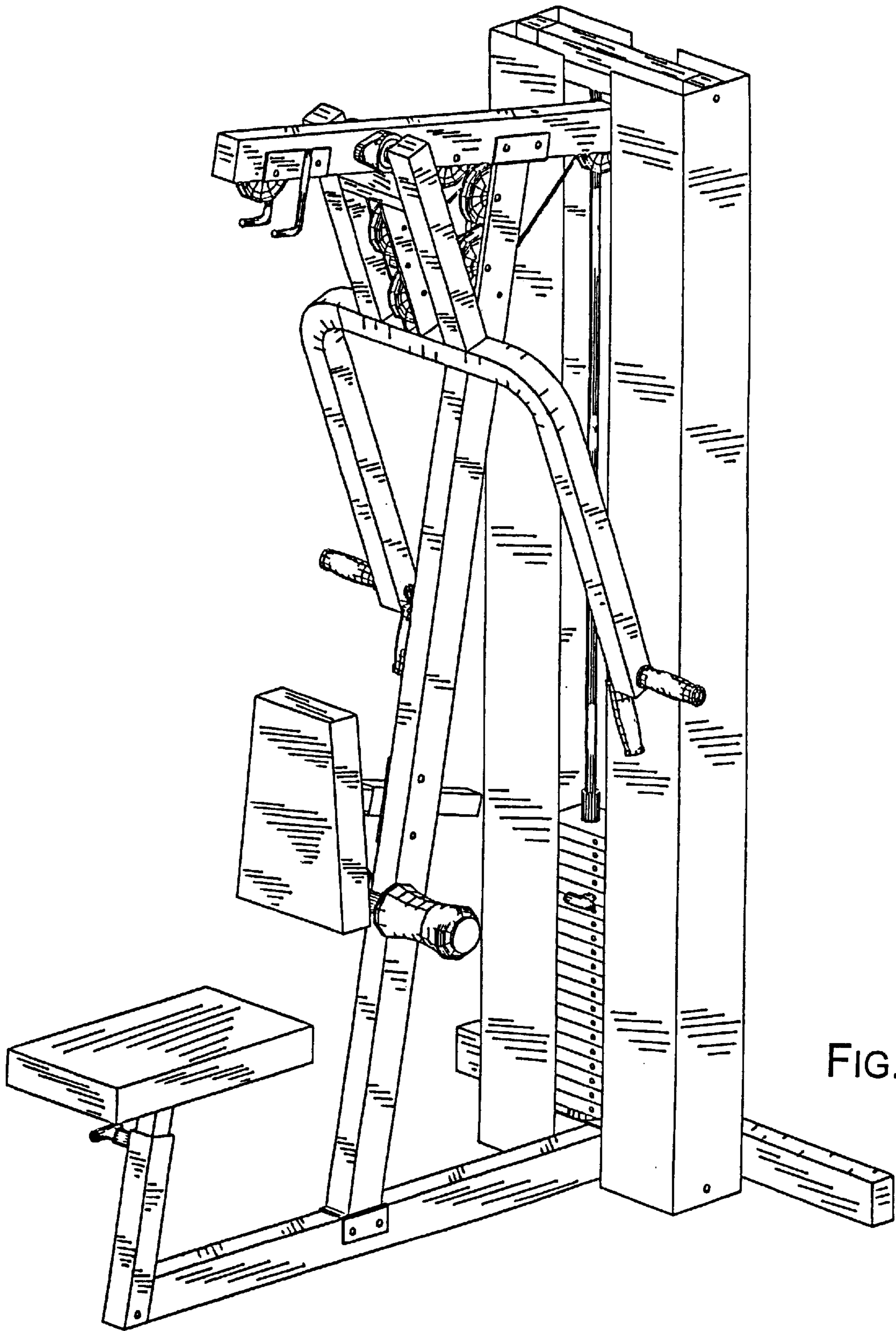


FIG. 6

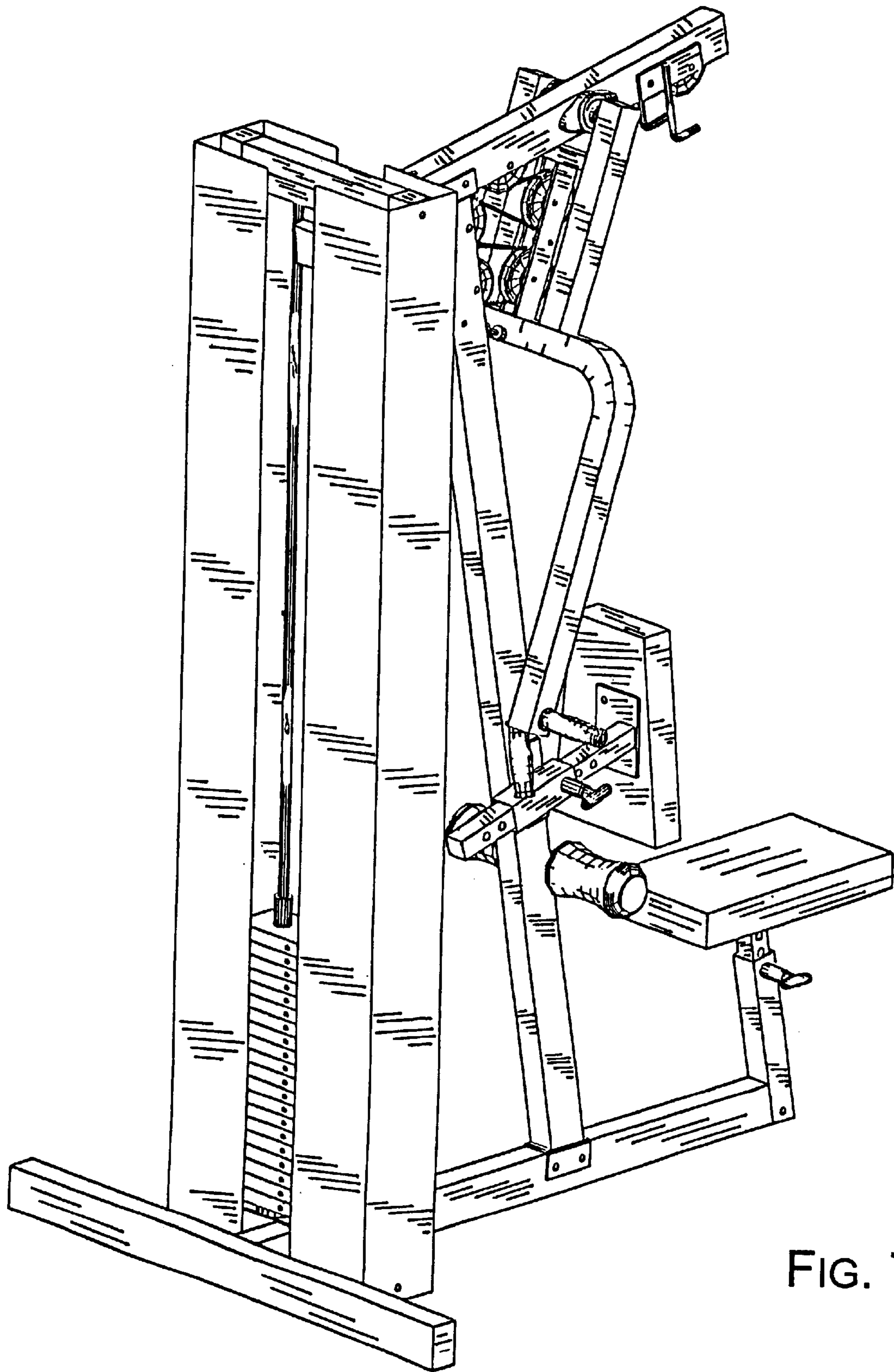


FIG. 7