



US00D439938S

(12) **United States Design Patent**  
**Batca et al.**

(10) **Patent No.:** **US D439,938 S**

(45) **Date of Patent:** **\*\* Apr. 3, 2001**

(54) **AB CRUNCH BACK EXTENSION EXERCISE MACHINE**

(76) Inventors: **L. Ron Batca; Roger Batca**, both of  
3102 Shaftsbury St., Durham, NC (US)  
27704

(\*\*) Term: **14 Years**

(21) Appl. No.: **29/113,519**

(22) Filed: **Nov. 5, 1999**

(51) **LOC (7) Cl.** ..... **21-02**

(52) **U.S. Cl.** ..... **D21/662; D21/675**

(58) **Field of Search** ..... D21/662, 673,  
D21/674, 675, 676; 482/97, 98, 129, 130,  
131, 133, 135, 138, 142

(56) **References Cited**

**U.S. PATENT DOCUMENTS**

D. 349,140	*	7/1994	Rockwell	.....	D21/676
D. 379,483	*	5/1997	England et al.	.....	D21/676
5,147,259	*	9/1992	Hutchins	.....	482/135
5,554,084	*	9/1996	Jones	.....	482/97
5,938,575	*	8/1999	Stearns	.....	482/140

**OTHER PUBLICATIONS**

Icarian publication, Abench, 1998.\*  
Pamphlet entitled "M4 The Ultimate in Fitness Training" (4 pages).

Pamphlet entitled "Personal Trainer 200" (2 pages).

Pamphlet entitled "Personal Trainer 2100" (2 pages).

Pamphlet entitled "Ultra Trainer 3000" (2 pages).

Pamphlet entitled "Ultra Trainer 3100" (2 pages).

\* cited by examiner

*Primary Examiner*—Philip S. Hyder

(74) *Attorney, Agent, or Firm*—Coats & Bennett, PLLC

(57) **CLAIM**

The ornamental design for an ab crunch back extension exercise machine, as shown and described.

**DESCRIPTION**

FIG. 1 is a front view of the ab crunch back extension exercise machine in accordance with the present invention;

FIG. 2 is a left side view of the present invention;

FIG. 3 is a back view of the present invention;

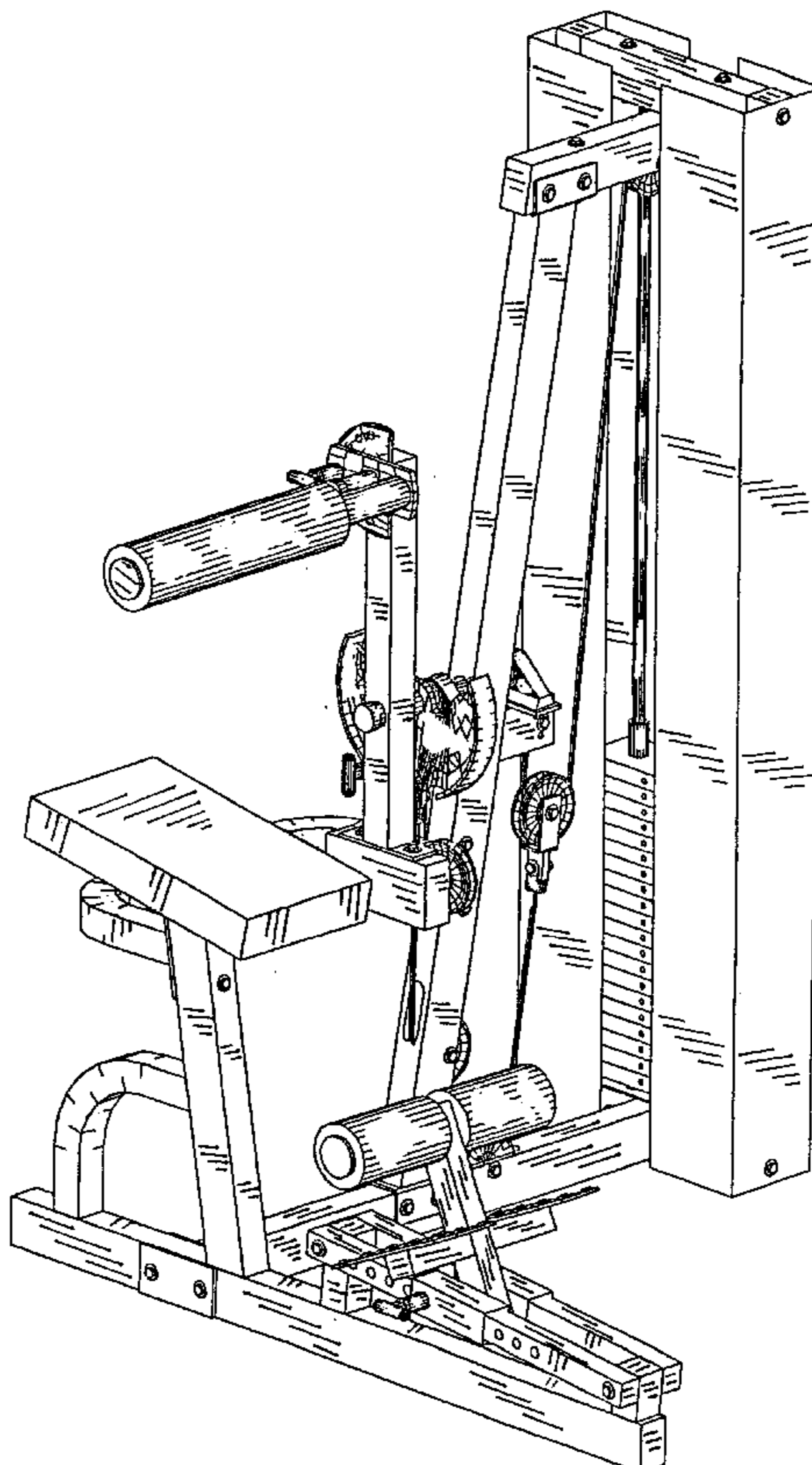
FIG. 4 is a right side view of the present invention;

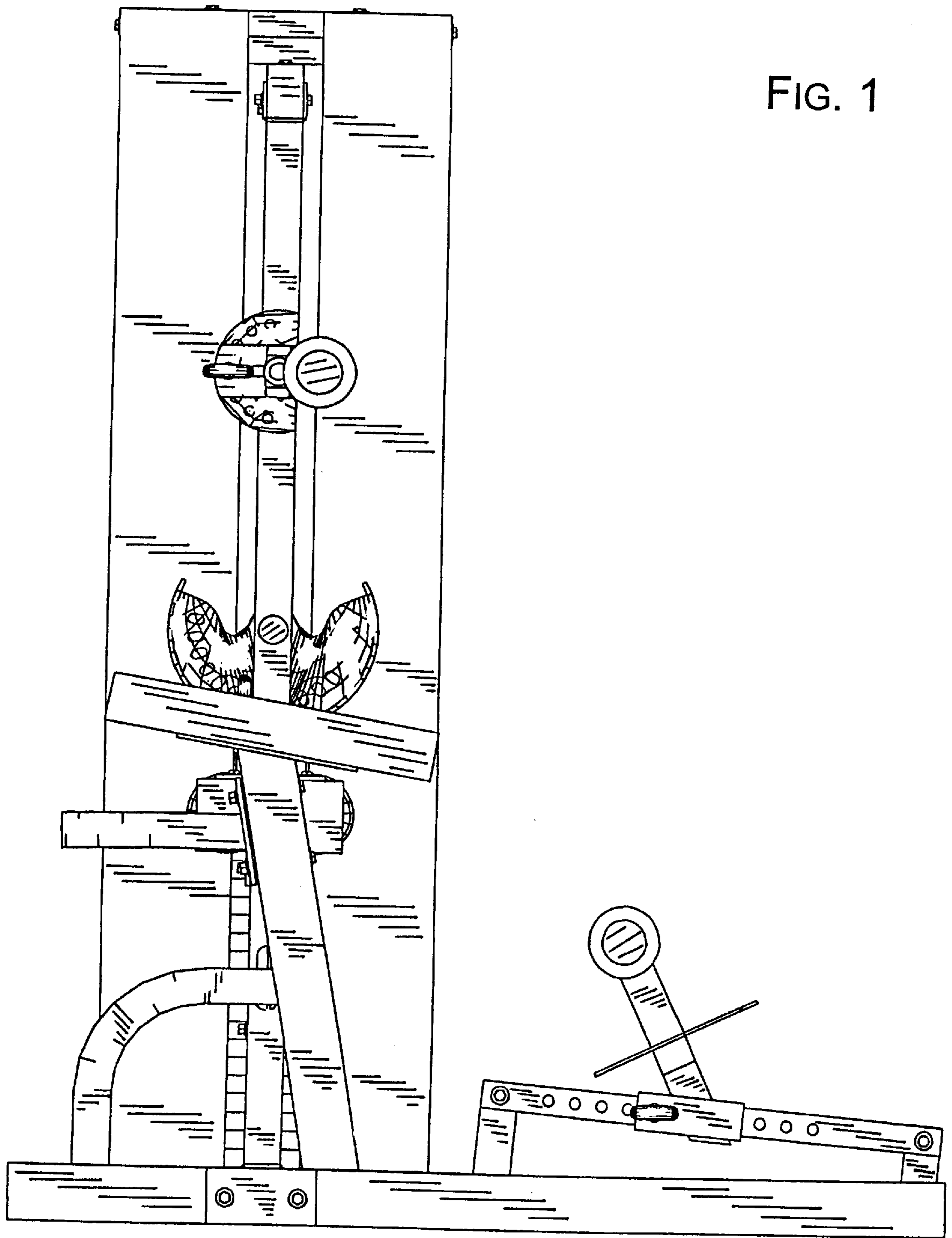
FIG. 5 is a top view of the present invention;

FIG. 6 is a front perspective view of the present invention; and,

FIG. 7 is a back perspective view of the present invention.

**1 Claim, 7 Drawing Sheets**





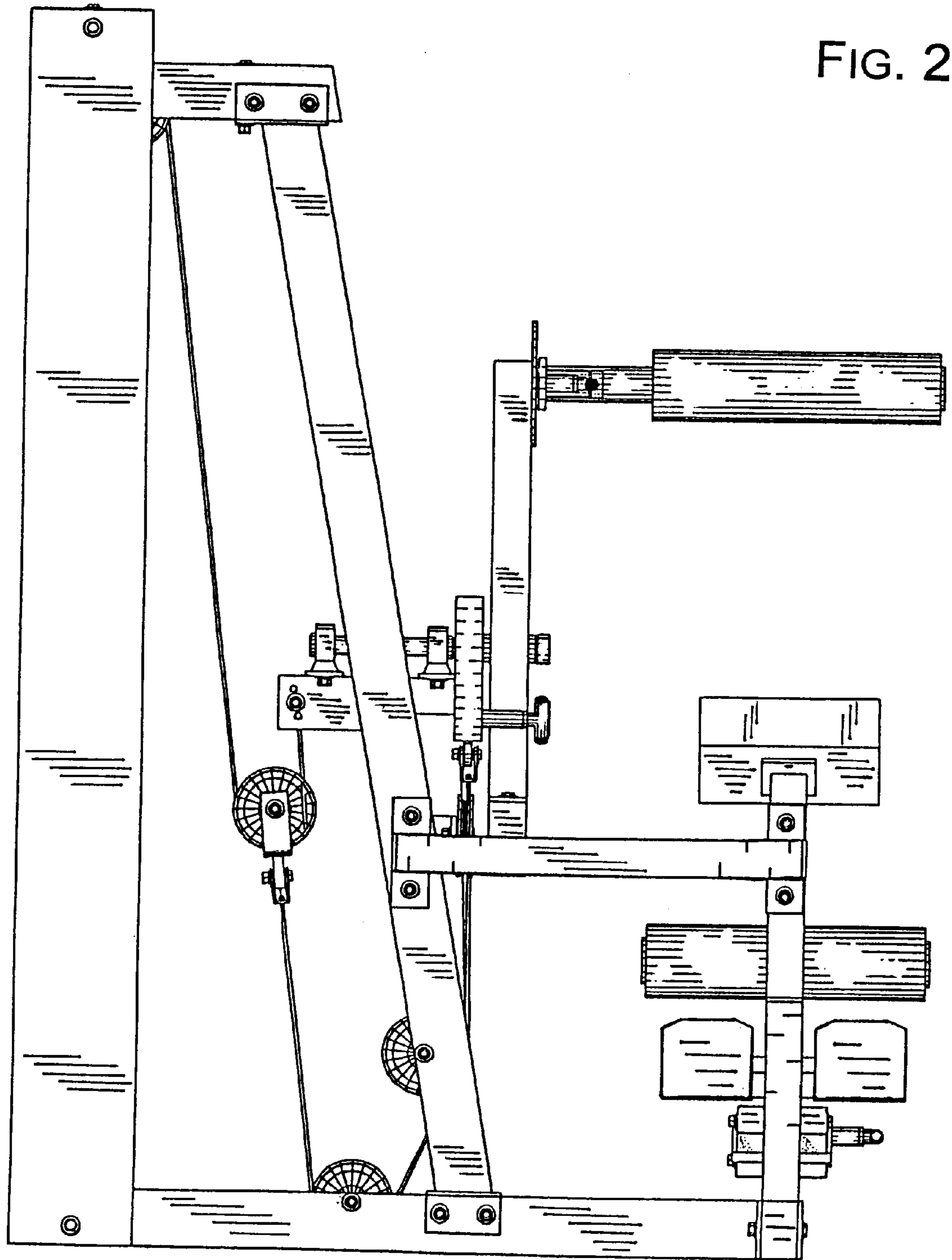


FIG. 2

FIG. 3

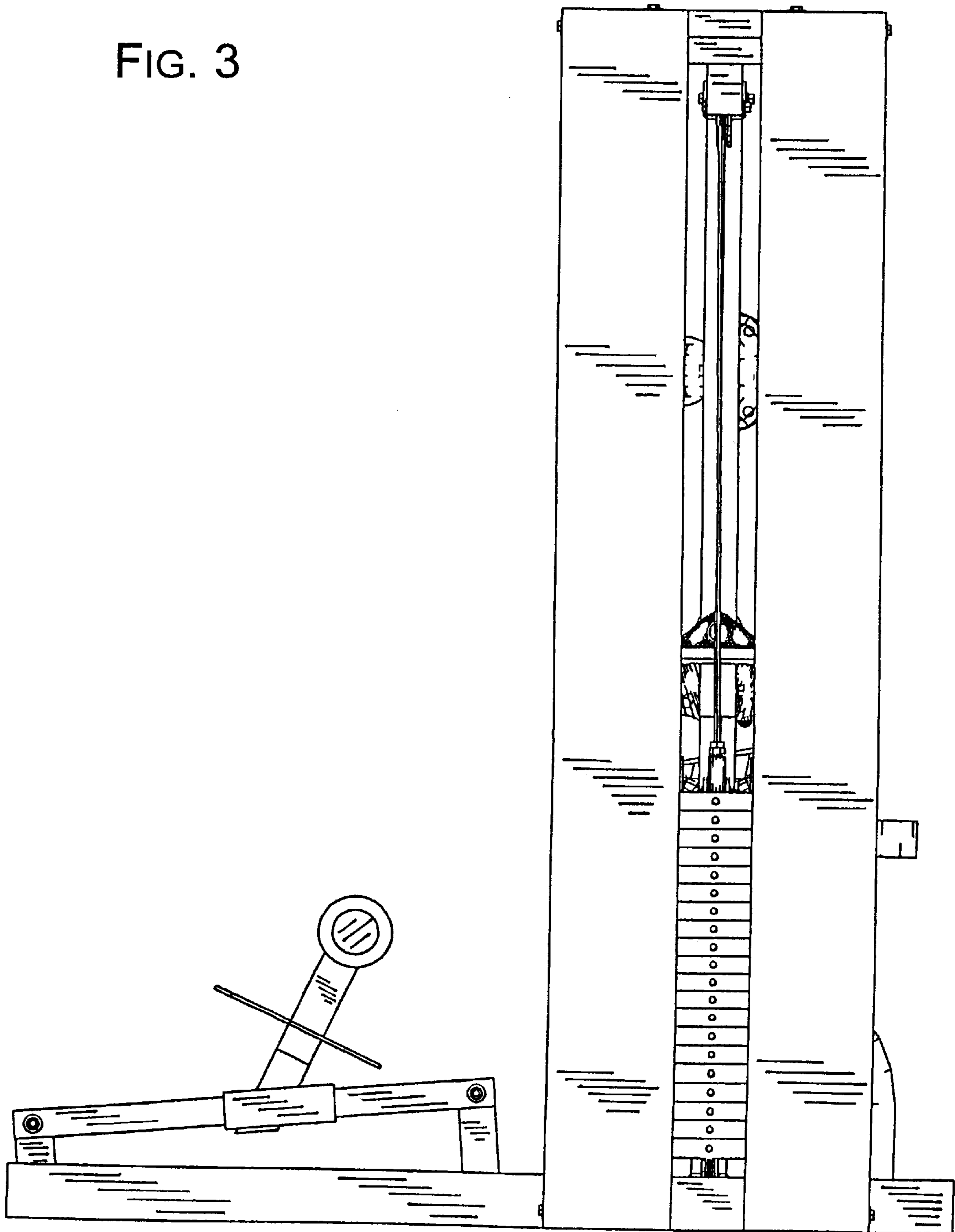


FIG. 4

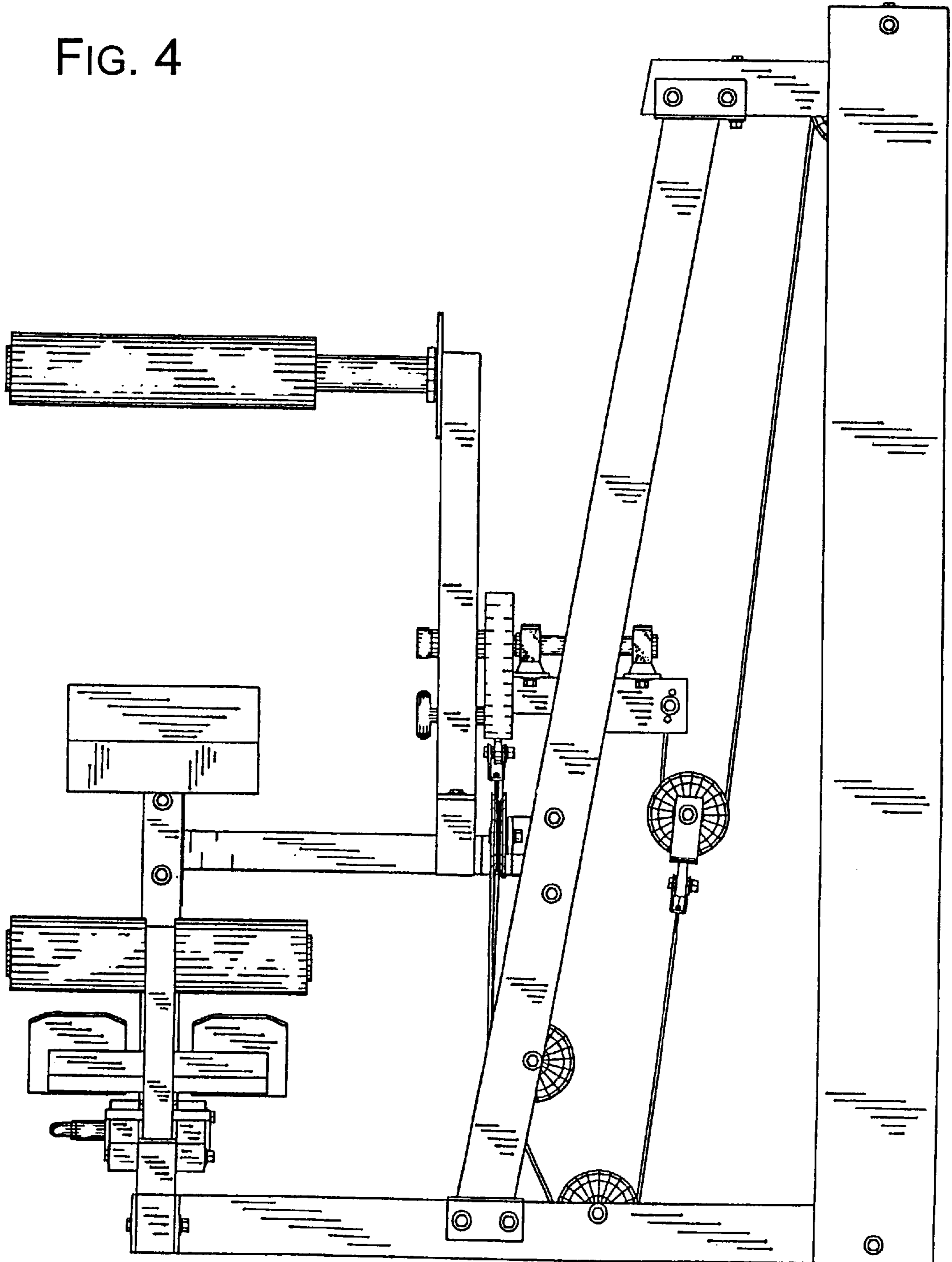


FIG. 5

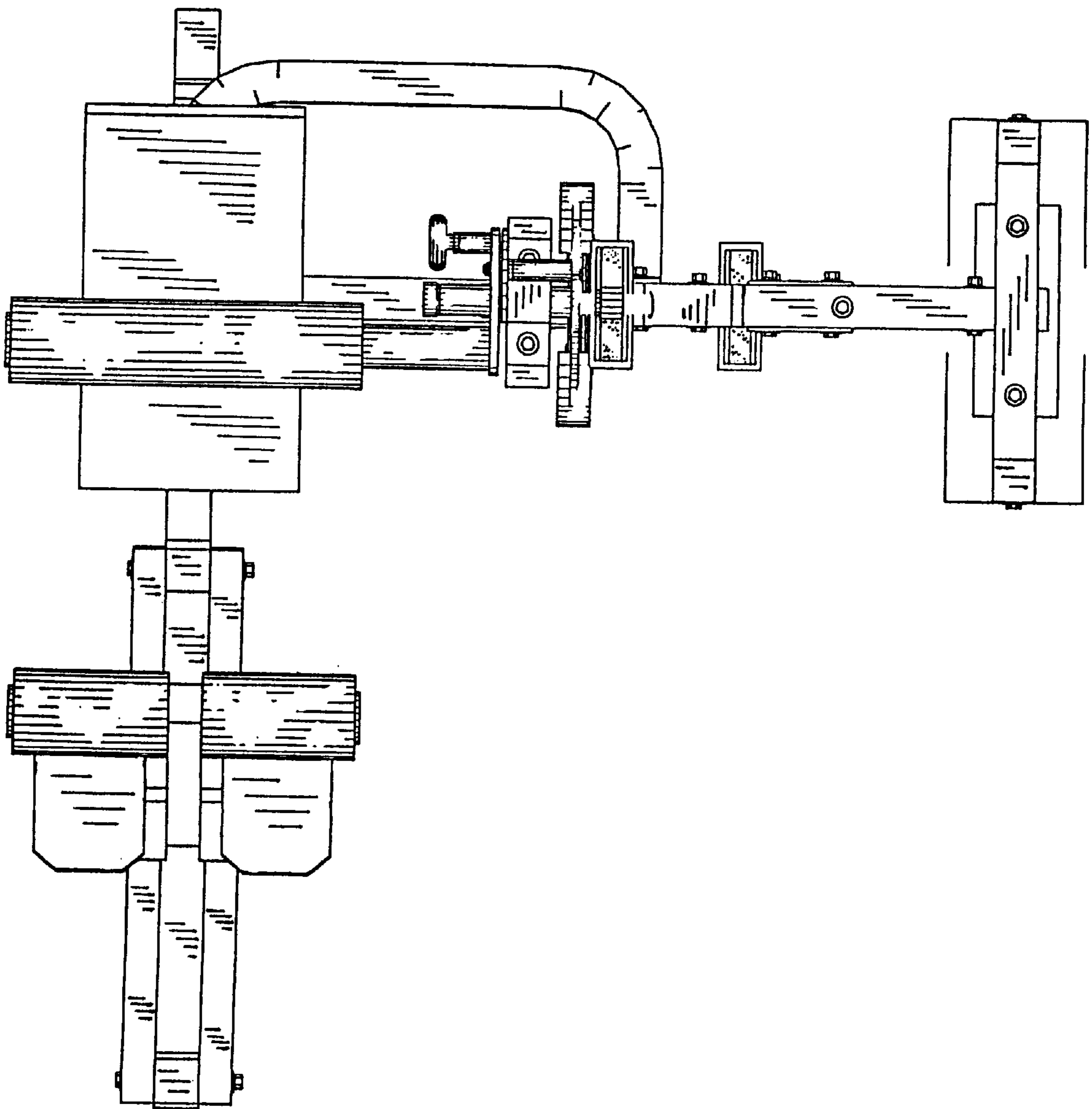


FIG. 6

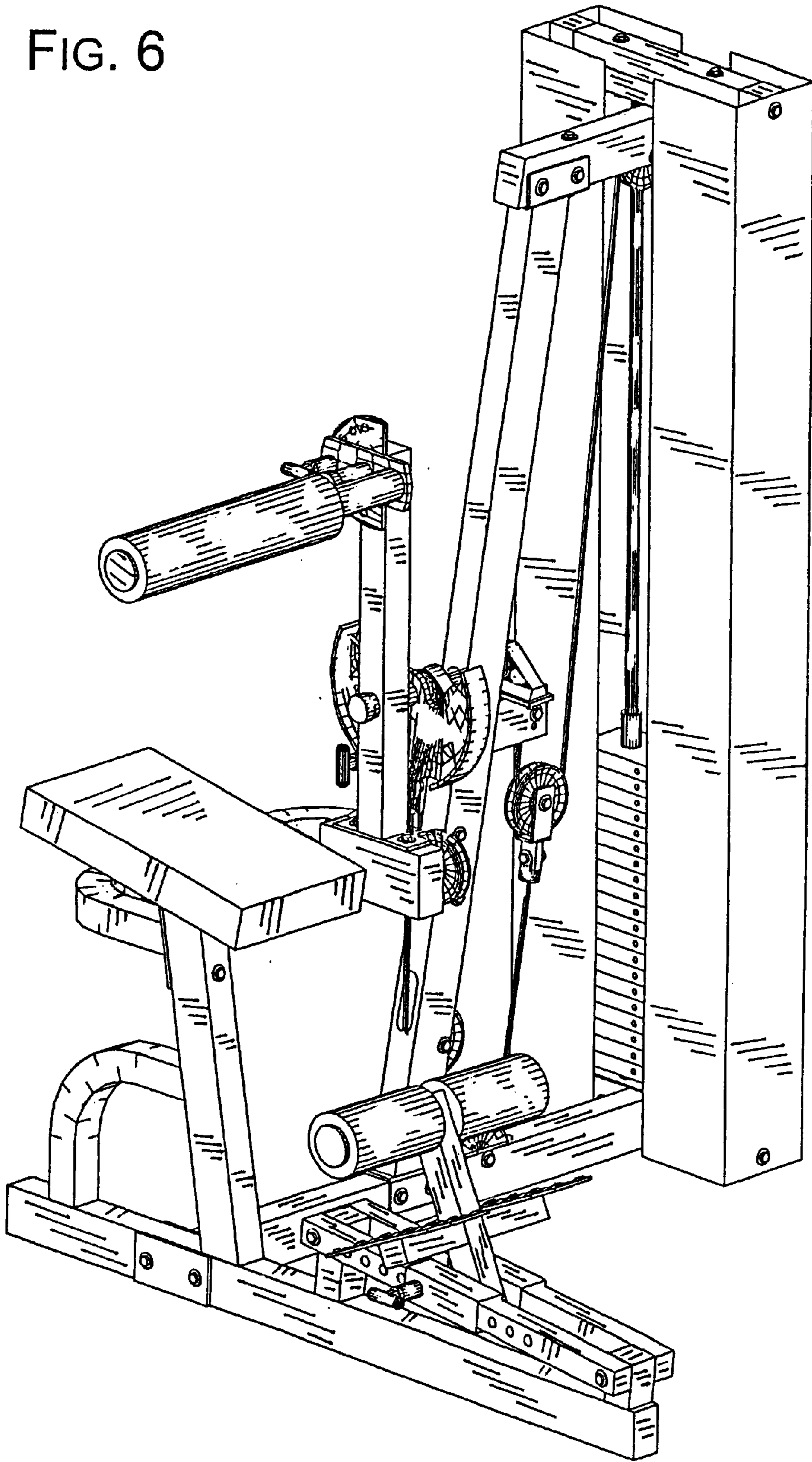


FIG. 7

