



US00D439934S

(12) **United States Design Patent**
Wang

(10) **Patent No.:** **US D439,934 S**

(45) **Date of Patent:** **** Apr. 3, 2001**

(54) **CHILDREN'S RIDE-ON VEHICLE**

(75) Inventor: **Chia-Hui Wang, Tai Pao (TW)**

(73) Assignee: **Link Treasure Limited (VG)**

(**) Term: **14 Years**

(21) Appl. No.: **29/107,471**

(22) Filed: **Jun. 28, 1999**

(51) **LOC (7) Cl.** **21-01**

(52) **U.S. Cl.** **D21/433**

(58) **Field of Search** D21/419-435,
D21/533, 548, 551, 552, 554, 559; D12/16,
87-88; 446/424, 425, 427, 433, 454, 456,
457, 462, 465, 470; 280/87.01, 87.021,
828

(56) **References Cited**

U.S. PATENT DOCUMENTS

- D. 282,087 * 1/1986 Kassai D21/433
- D. 311,934 * 11/1990 Takahashi et al. D21/433
- D. 320,239 * 9/1991 Kassai D21/424
- D. 322,641 * 12/1991 Takahashi et al. D21/428

- D. 345,717 * 4/1994 Molzon et al. D12/16
- D. 345,770 * 4/1994 Liu D21/424
- D. 378,105 * 2/1997 Nakai D21/433

* cited by examiner

Primary Examiner—Raphael Barkai

(74) *Attorney, Agent, or Firm*—W. Wayne Liauh

(57) **CLAIM**

The ornamental design for children's ride-on vehicle, substantially as shown and described.

DESCRIPTION

FIG. 1 is a perspective view of children's ride-on vehicle, showing my new design;

FIG. 2 is a left side elevational view thereof;

FIG. 3 is a right side elevational view thereof;

FIG. 4 is a front elevational view thereof;

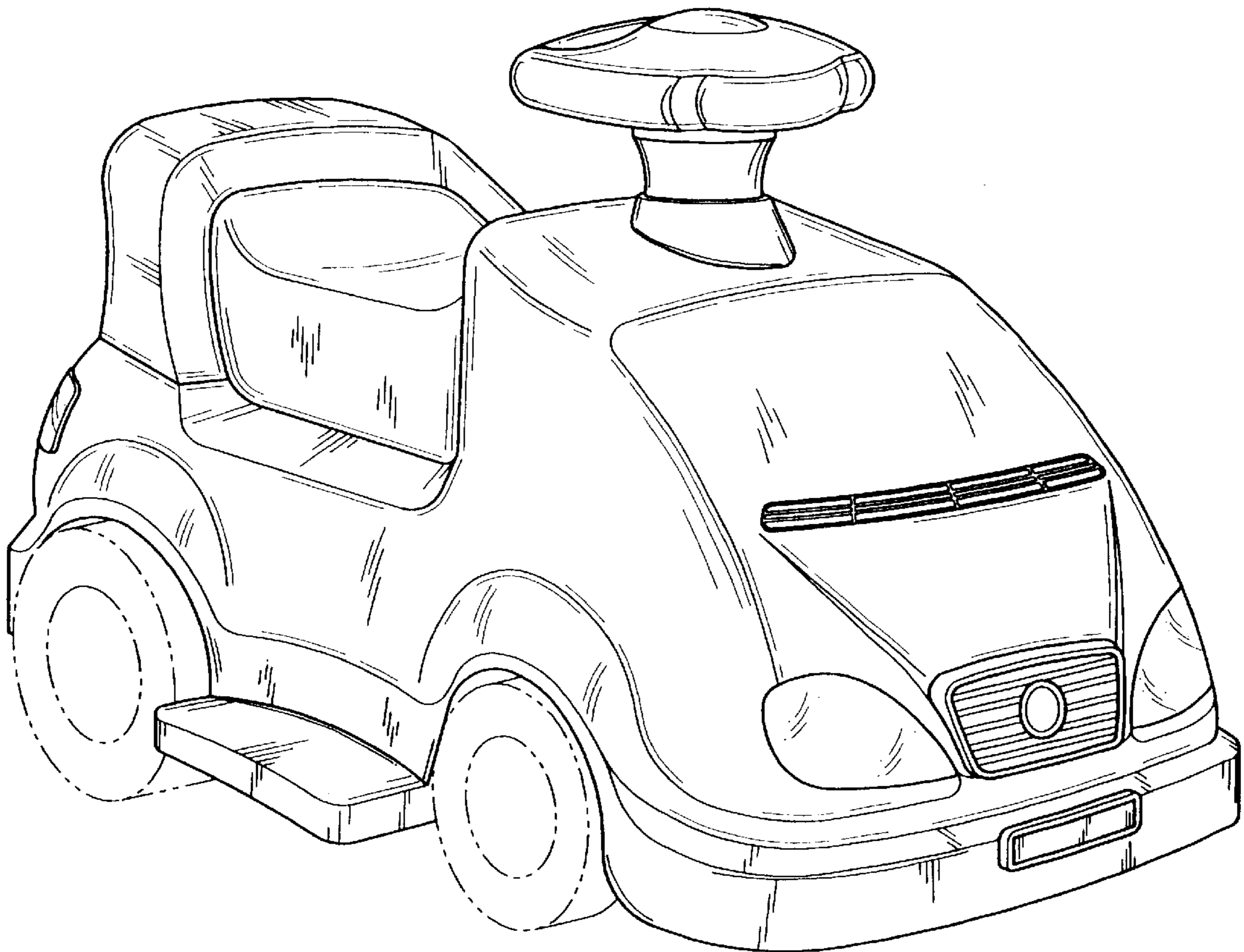
FIG. 5 is a rear view thereof;

FIG. 6 is a top view thereof; and,

FIG. 7 is a bottom view thereof.

The broken lines shown in FIGS. 1-7 are for illustrative purposes only and form no part of the claimed design.

1 Claim, 6 Drawing Sheets



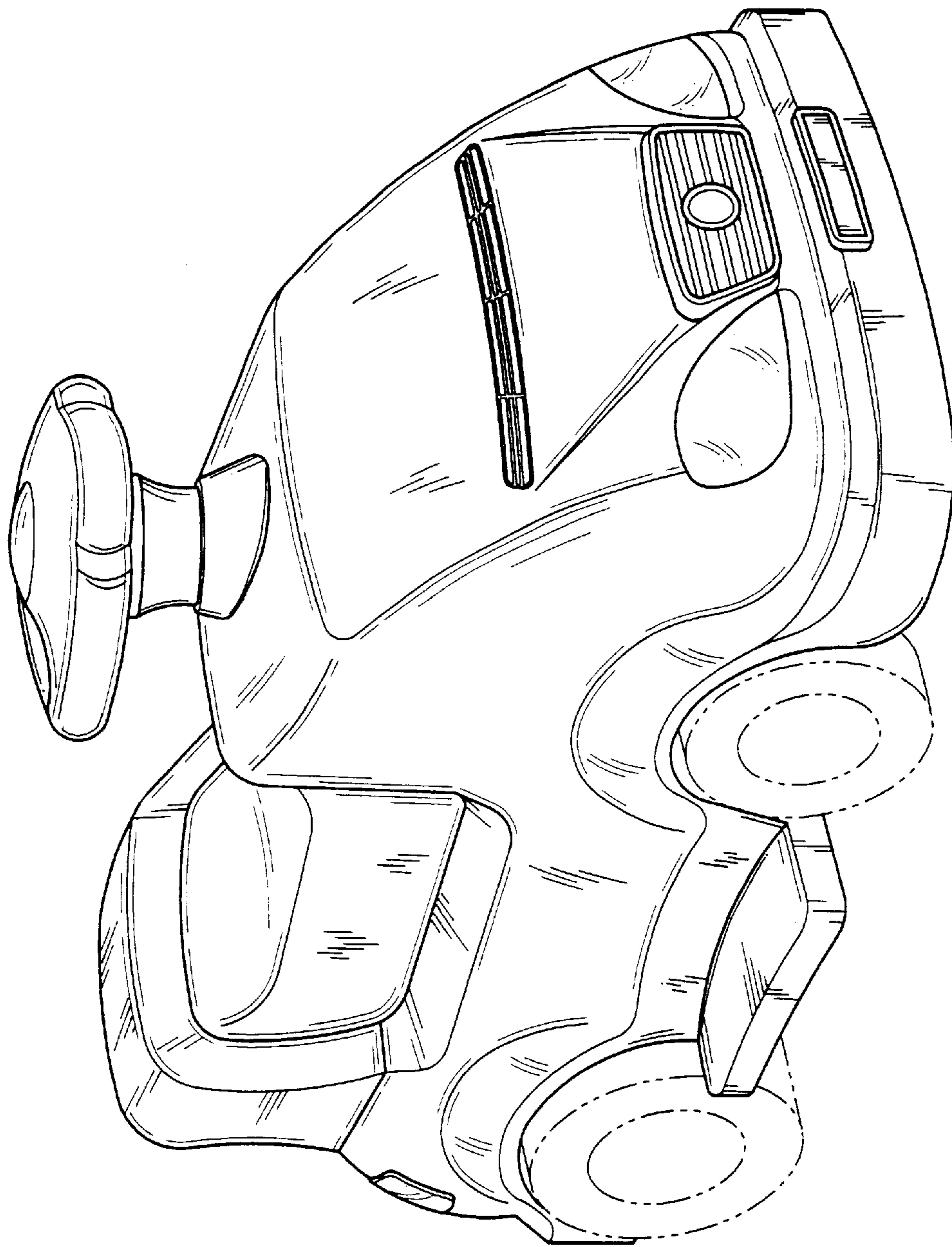


FIG. 1

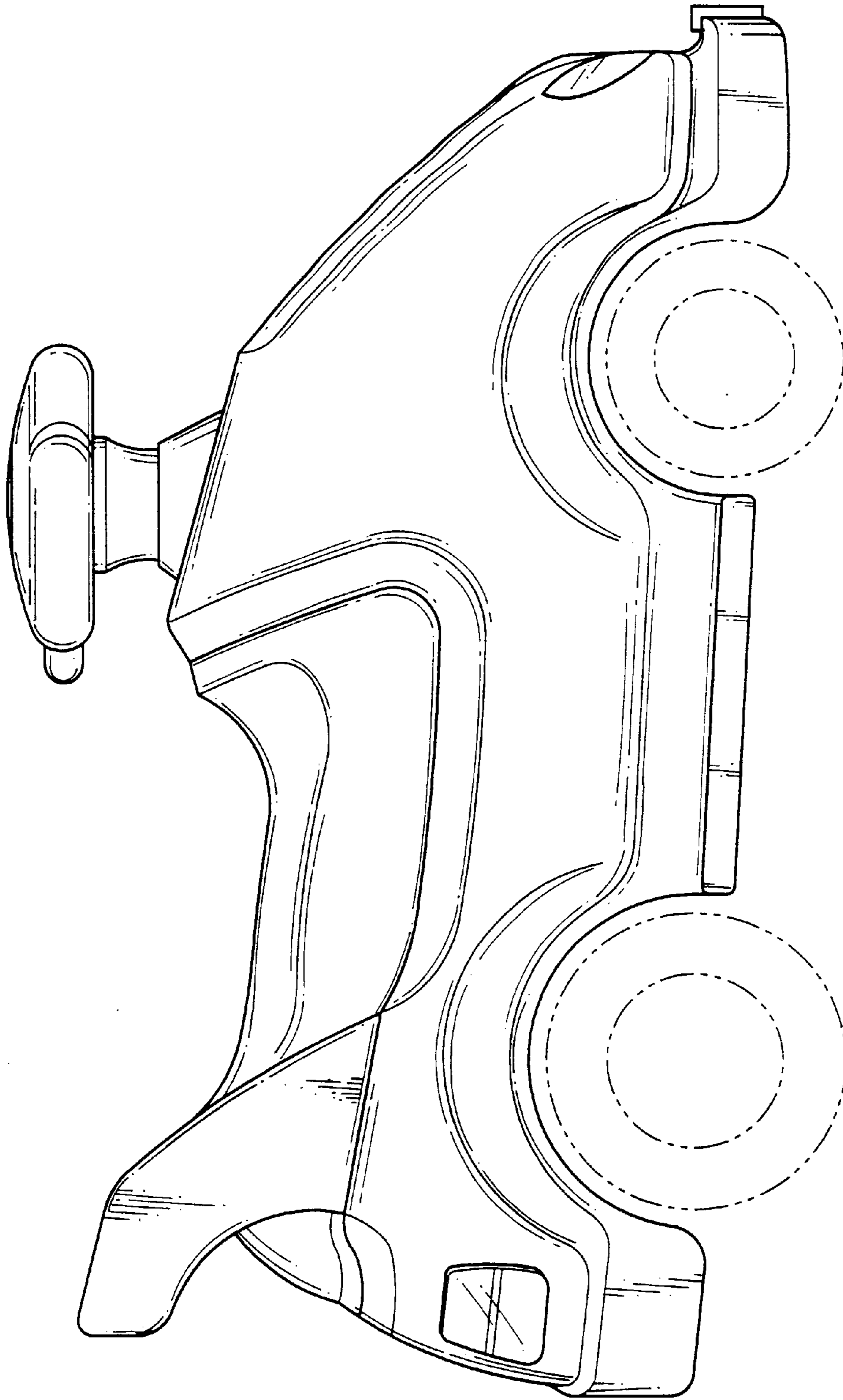


FIG. 2

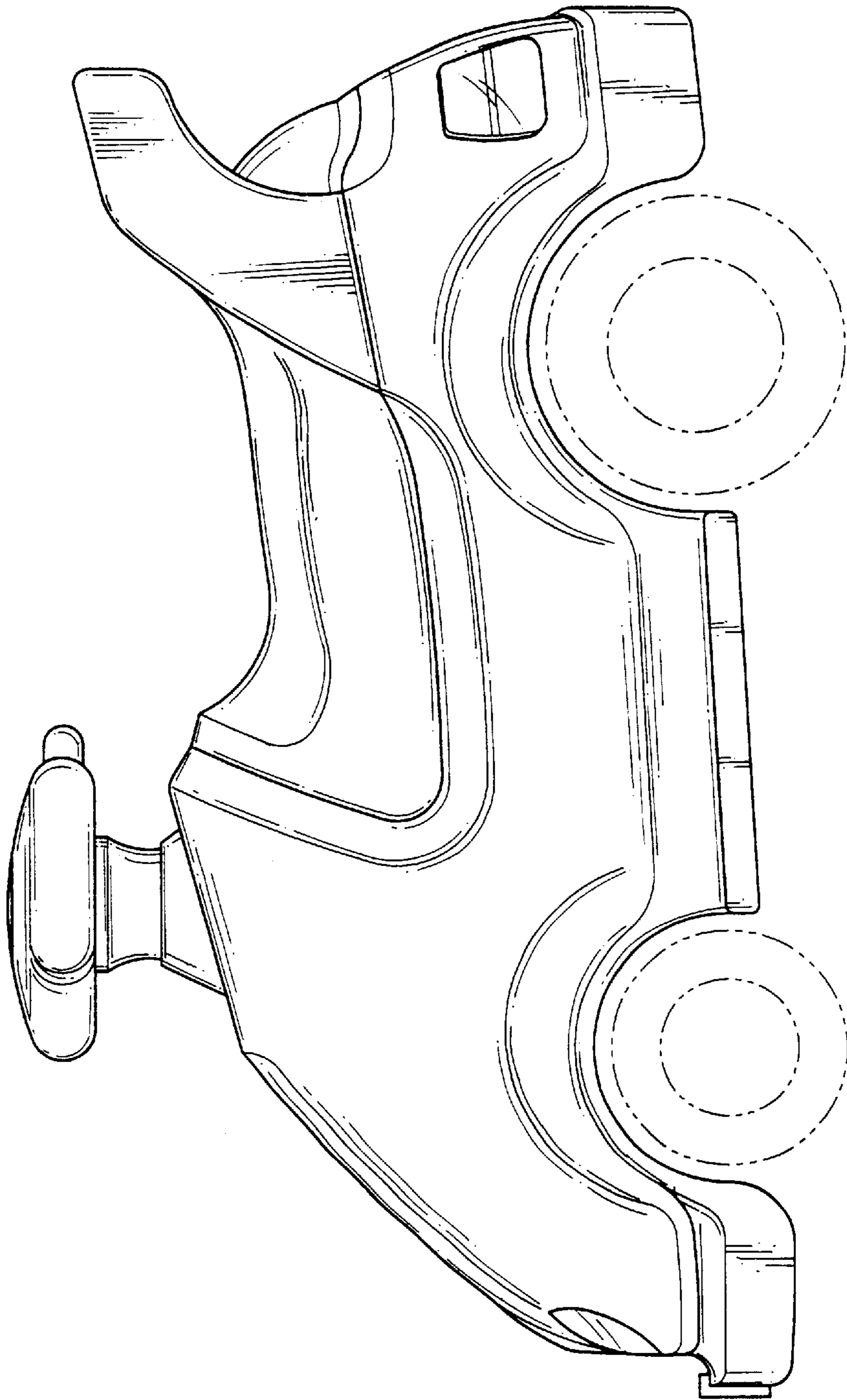


FIG. 3

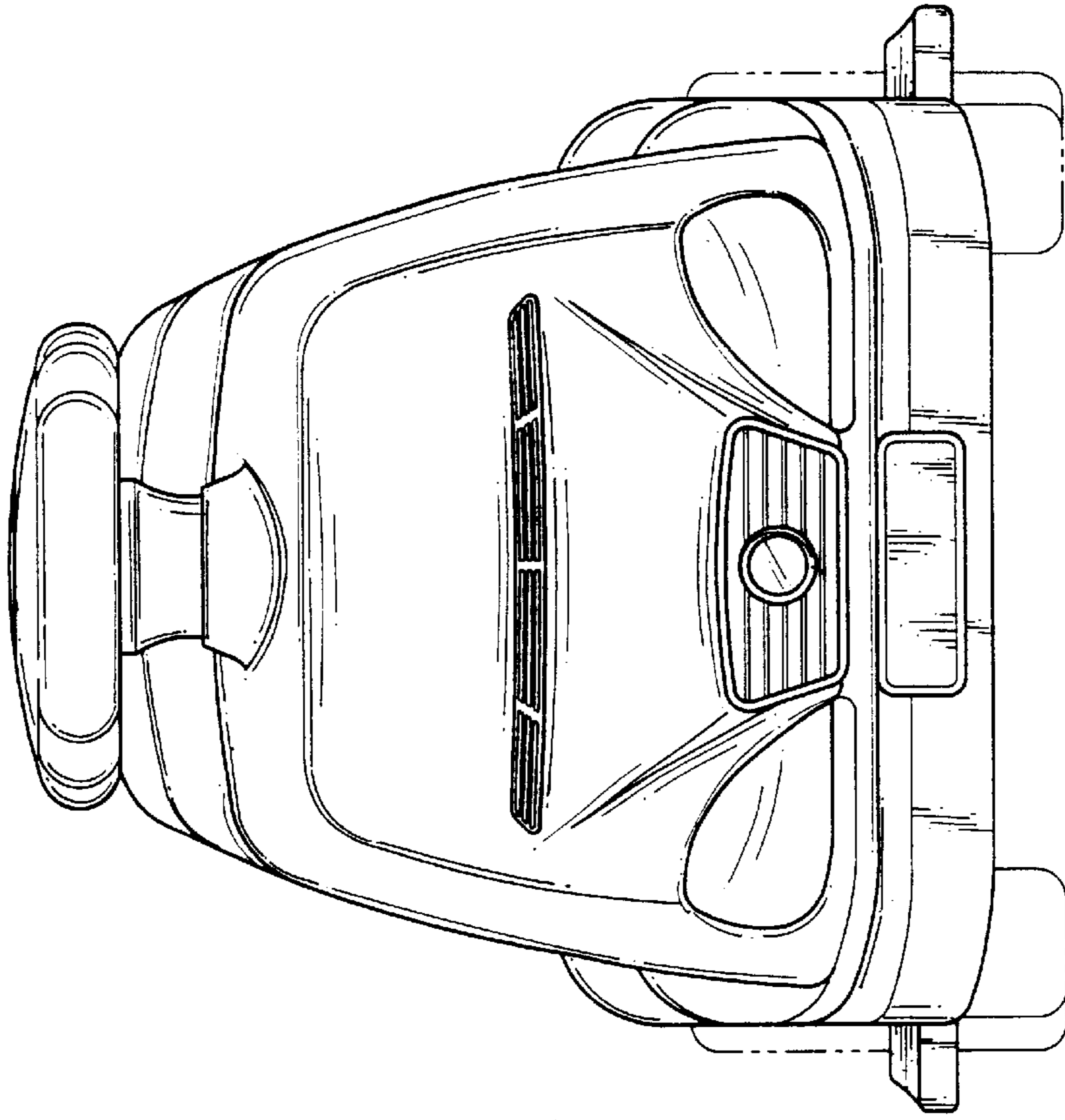


FIG. 4

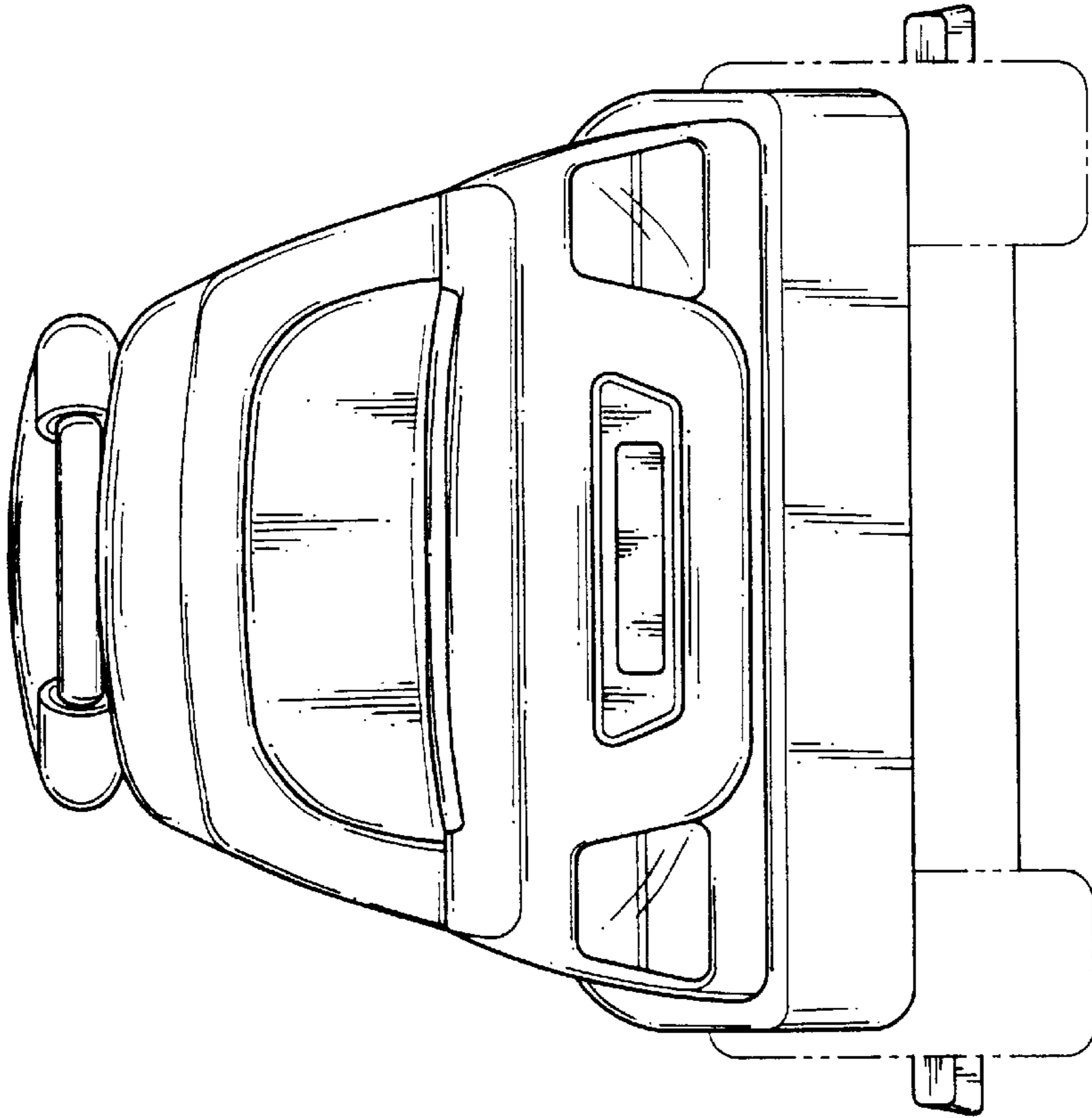


FIG. 5

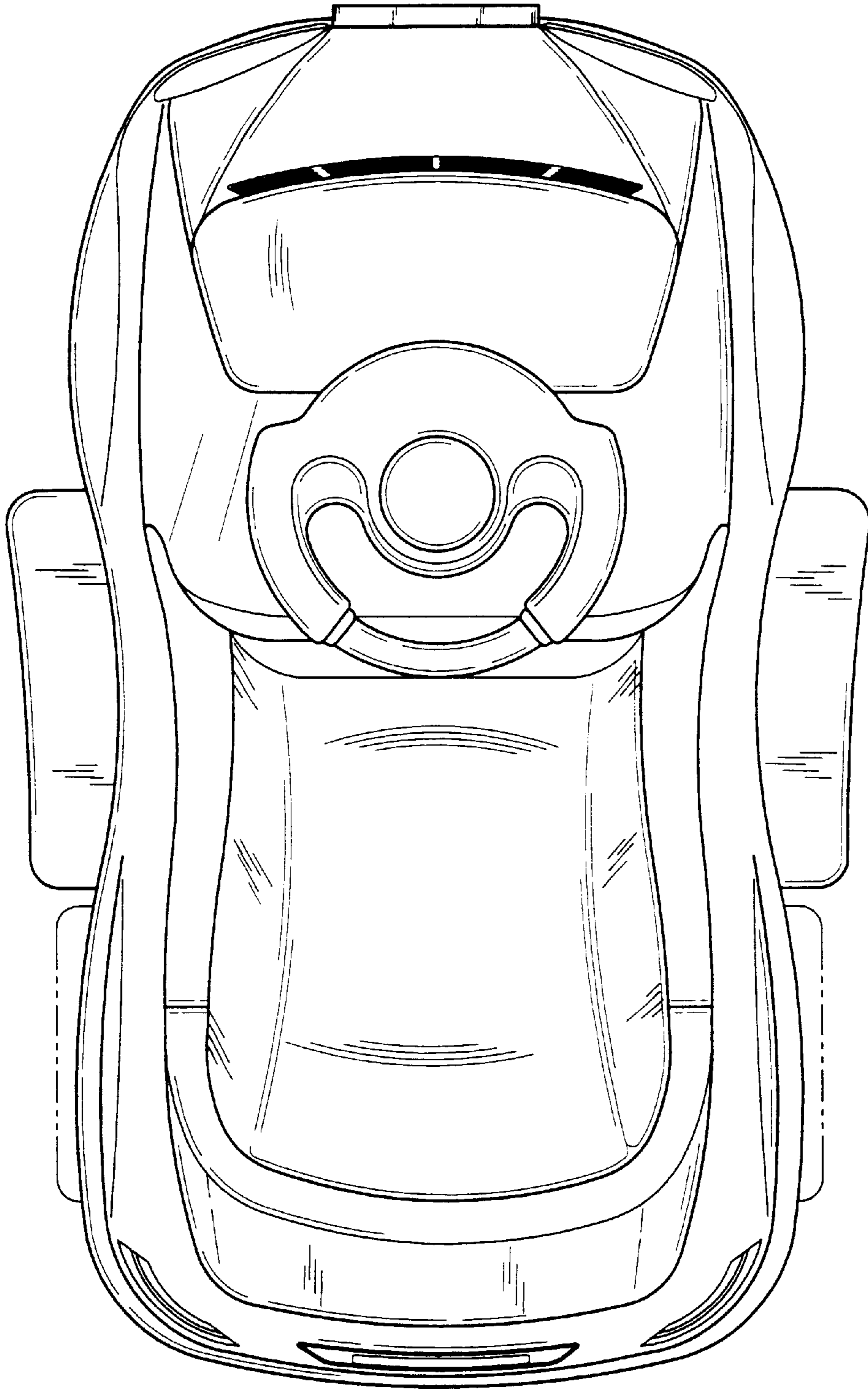


FIG. 6

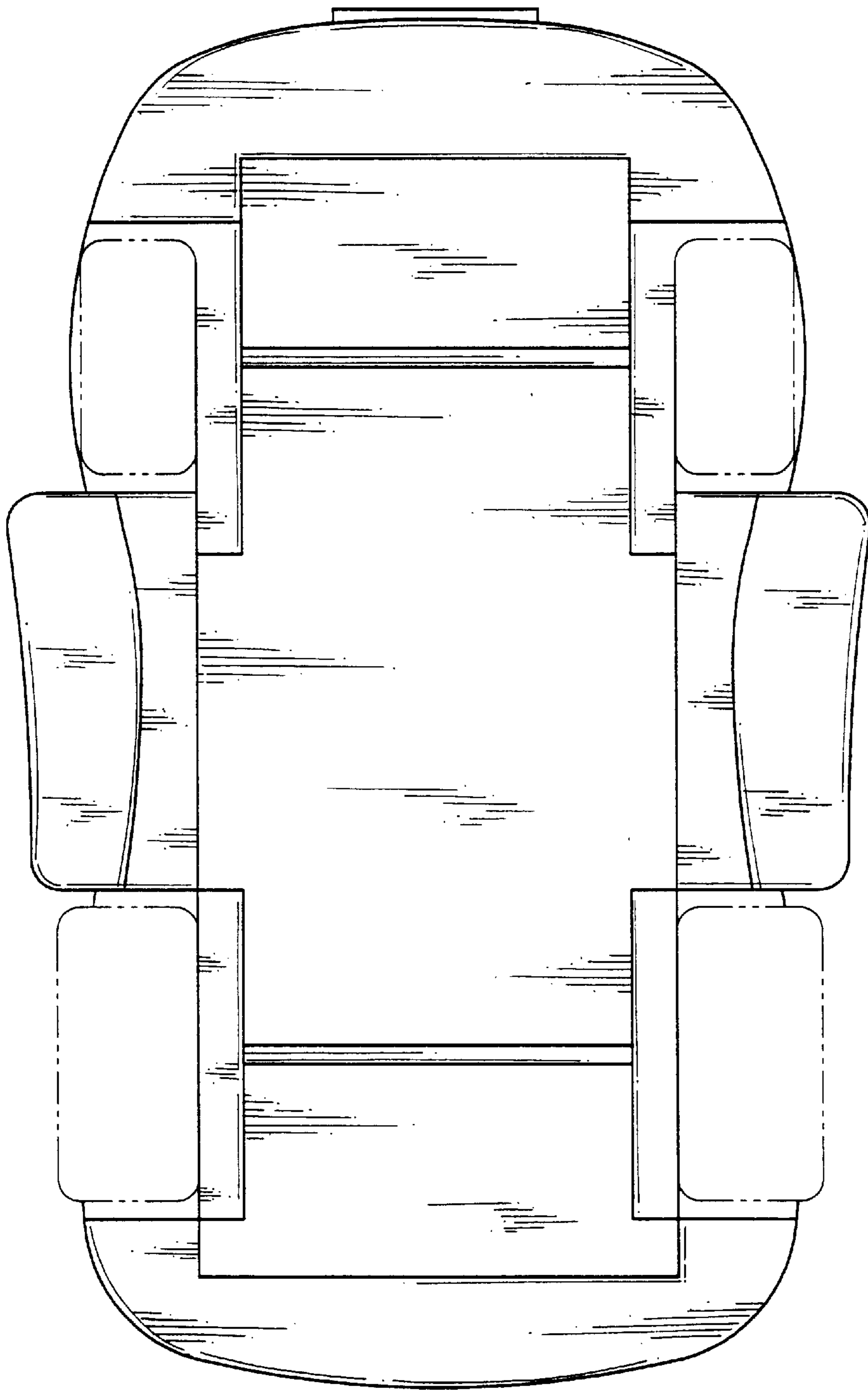


FIG. 7