



US00D439933S

(12) **United States Design Patent**
Lam

(10) **Patent No.:** **US D439,933 S**

(45) **Date of Patent:** **** Apr. 3, 2001**

(54) **GAME PIECE**

(76) Inventor: **Kam Yuet Lam**, Flat E, 5th Floor,
Tropicana Garden, Block A, 110 Lung
Cheung Road, Wong Tai Sin, Kowloon
(HK)

(**) Term: **14 Years**

(21) Appl. No.: **29/088,677**

(22) Filed: **May 29, 1998**

(51) **LOC (7) Cl.** **21-01**

(52) **U.S. Cl.** **D21/386**

(58) **Field of Search** D21/334-369,
D21/385-389; 273/236-288, 290-294

(56) **References Cited**

U.S. PATENT DOCUMENTS

D. 263,403	*	3/1982	Chen	D21/386
D. 272,640	*	2/1984	Israel et al.	D21/386
D. 291,881	*	9/1987	Koushiefes	D21/386
D. 293,924	*	1/1988	Burkett et al.	D21/386
D. 322,999	*	1/1992	Atwell	D21/336
D. 370,034	*	5/1996	Kipfer	D21/386
4,025,076	*	5/1977	Lipps	273/294
4,305,585	*	12/1981	Flynn	273/261
4,736,954	*	4/1988	Haney et al.	273/236

* cited by examiner

Primary Examiner—Sandra L. Morris

(74) *Attorney, Agent, or Firm*—Miller, Sisson, Chapman & Nash, P.C.

(57) **CLAIM**

The ornamental design for a game piece, as shown and described.

DESCRIPTION

FIG. 1 is a perspective view of the base of the game piece, showing my new design, shown separately for ease of illustration;

FIG. 2 is a front elevational view thereof;

FIG. 3 is a rear elevational view thereof;

FIG. 4 is a left side elevational view thereof;

FIG. 5 is a right side elevational view thereof;

FIG. 6 is a top plan view thereof;

FIG. 7 is a bottom plan view thereof;

FIG. 8 is a perspective view thereof, showing the entirety of the game piece;

FIG. 9 is a perspective view thereof, showing its top and bottom parts separated;

FIG. 10 is a front elevational view thereof;

FIG. 11 is a rear elevational view thereof;

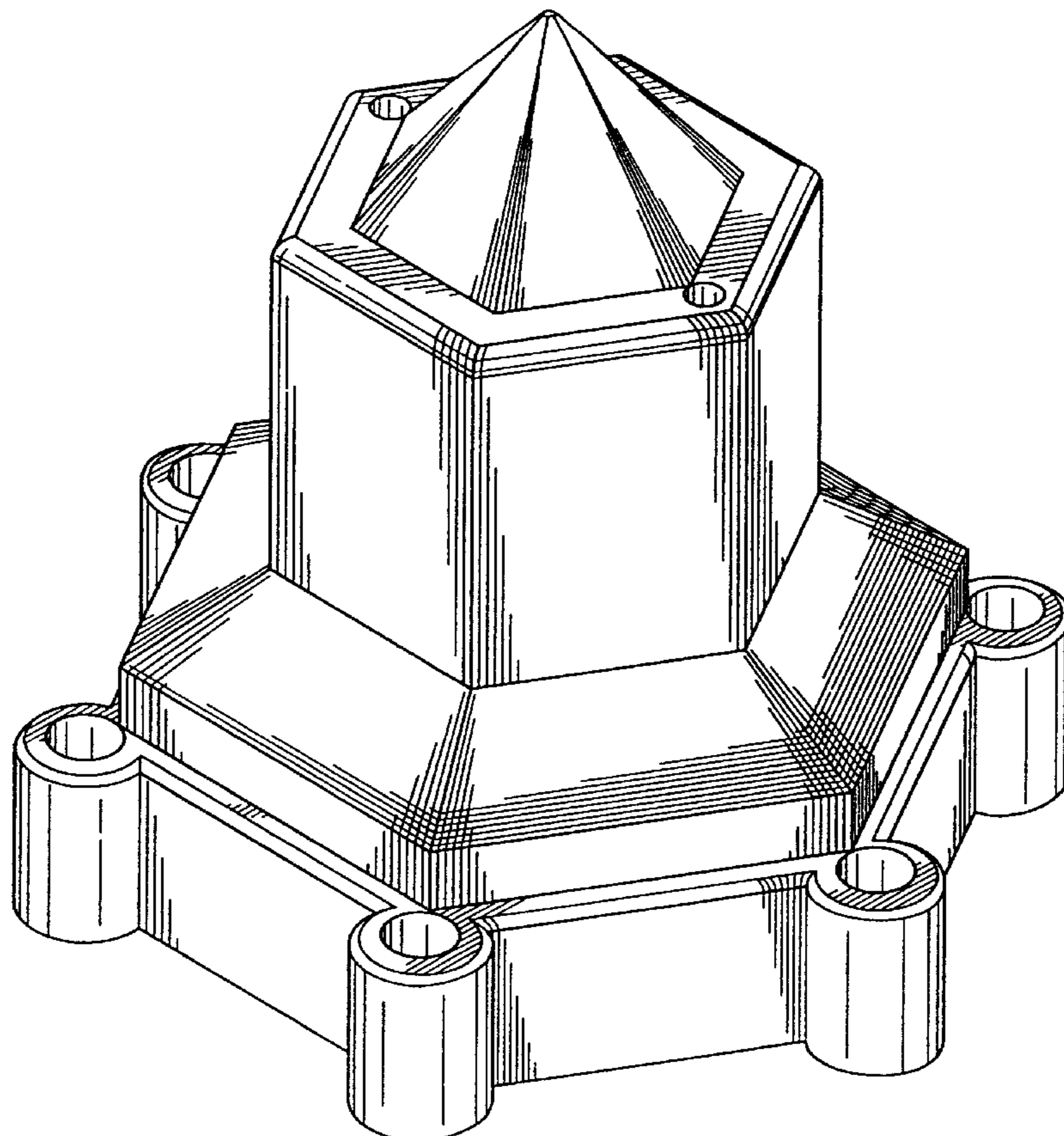
FIG. 12 is a left side elevational view thereof;

FIG. 13 is a right side elevational view thereof;

FIG. 14 is a top plan view thereof; and,

FIG. 15 is a bottom plan view thereof.

1 Claim, 9 Drawing Sheets



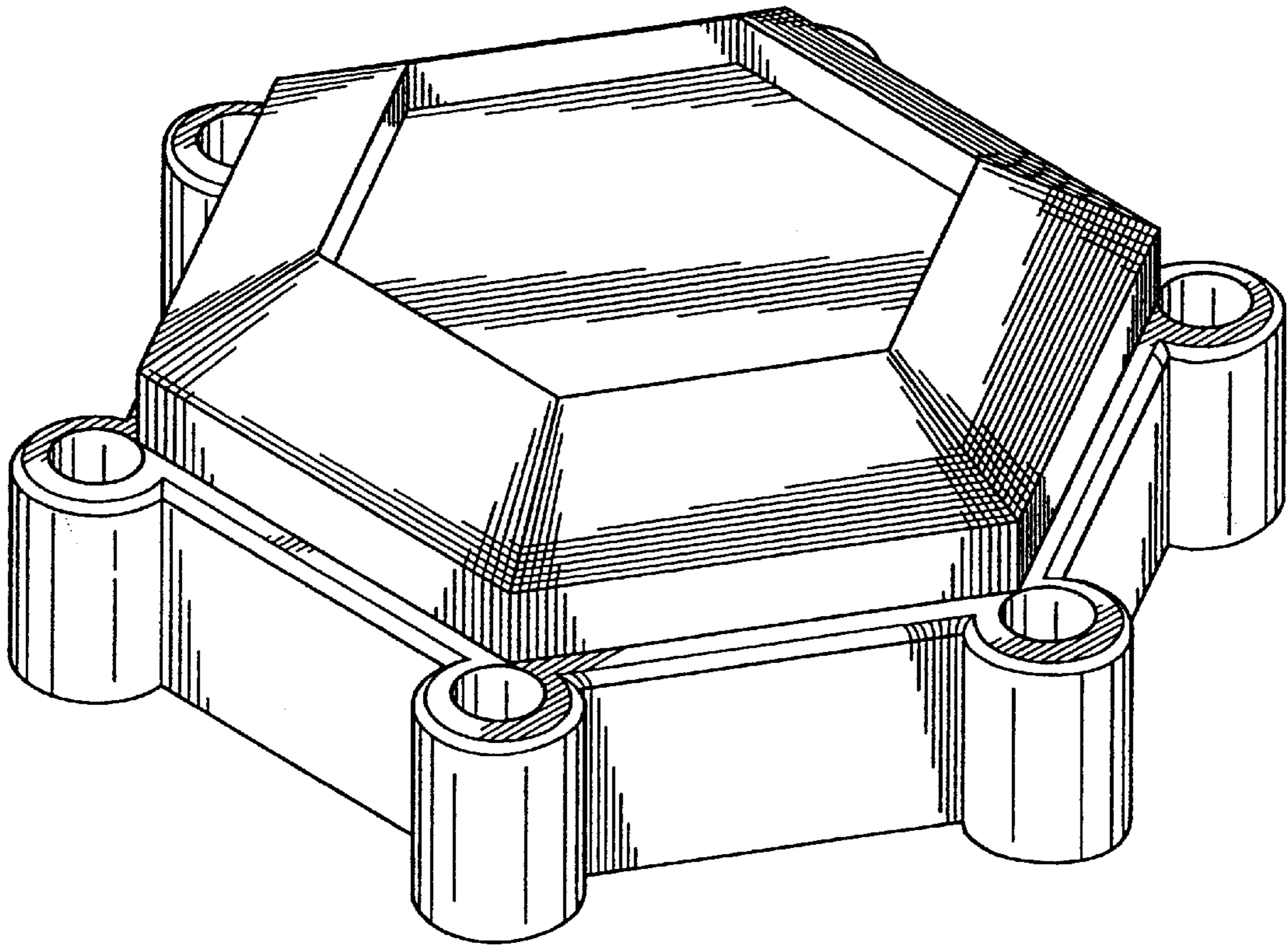


FIG. 1

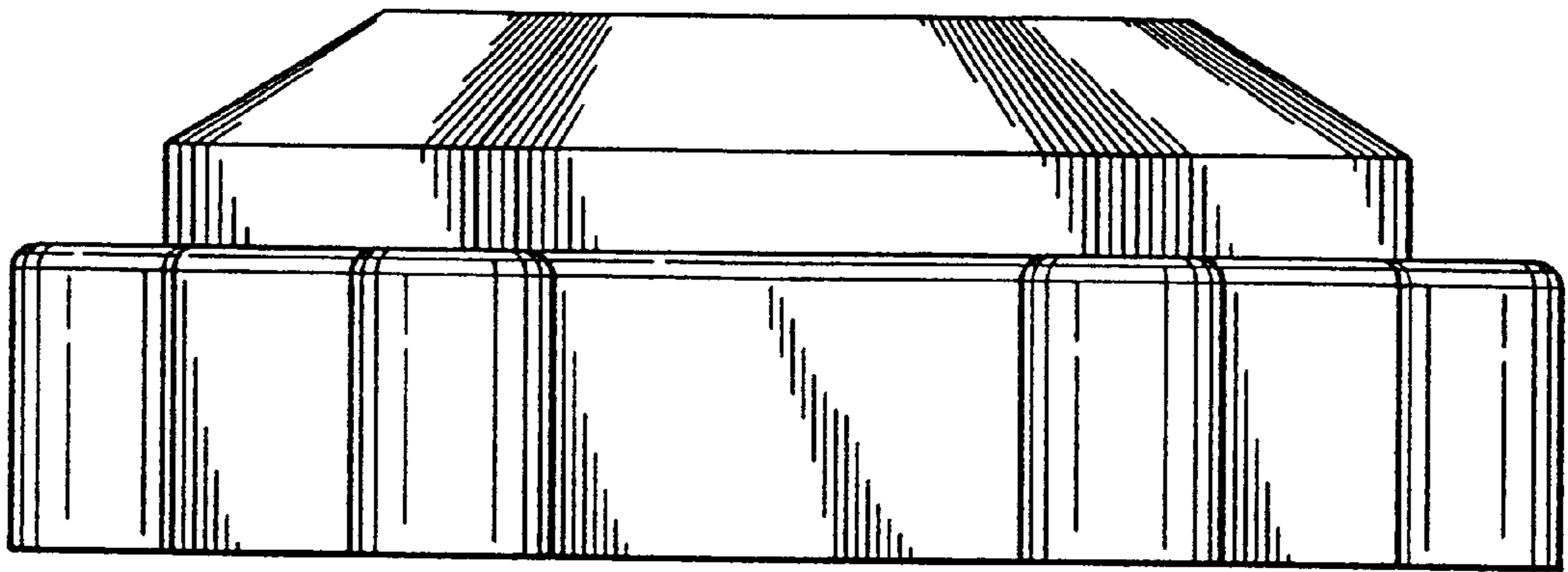


FIG. 2

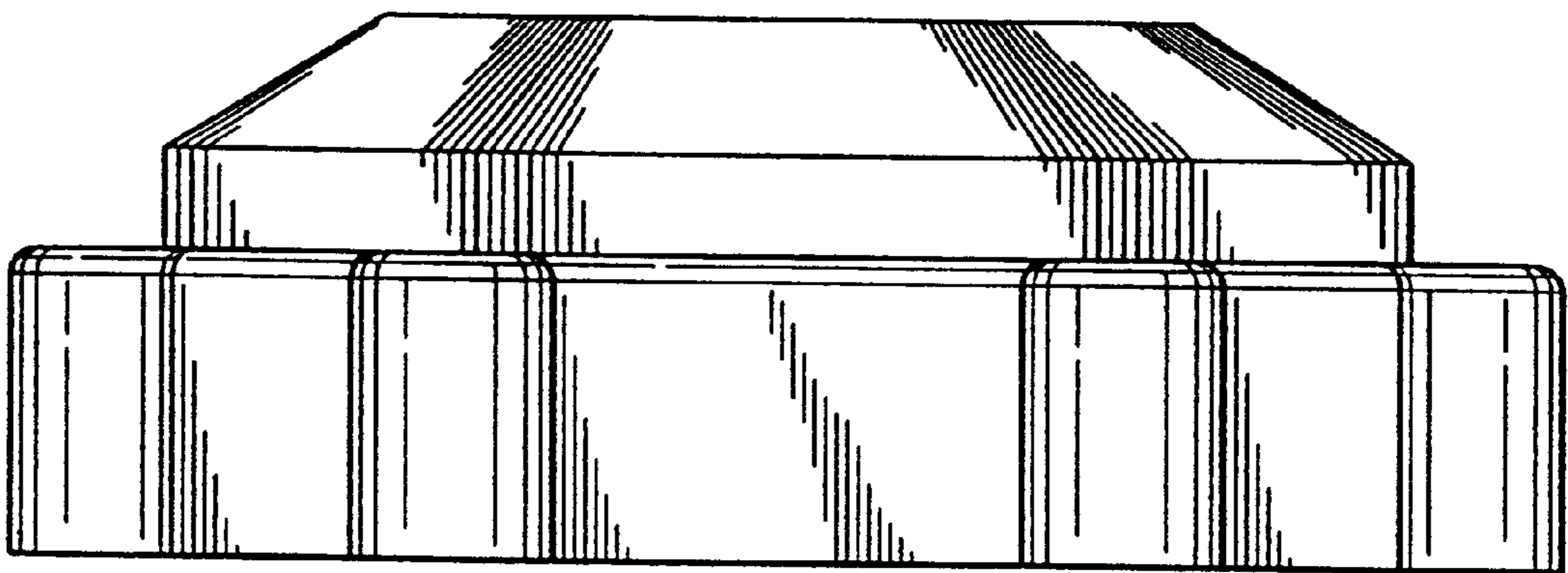


FIG. 3

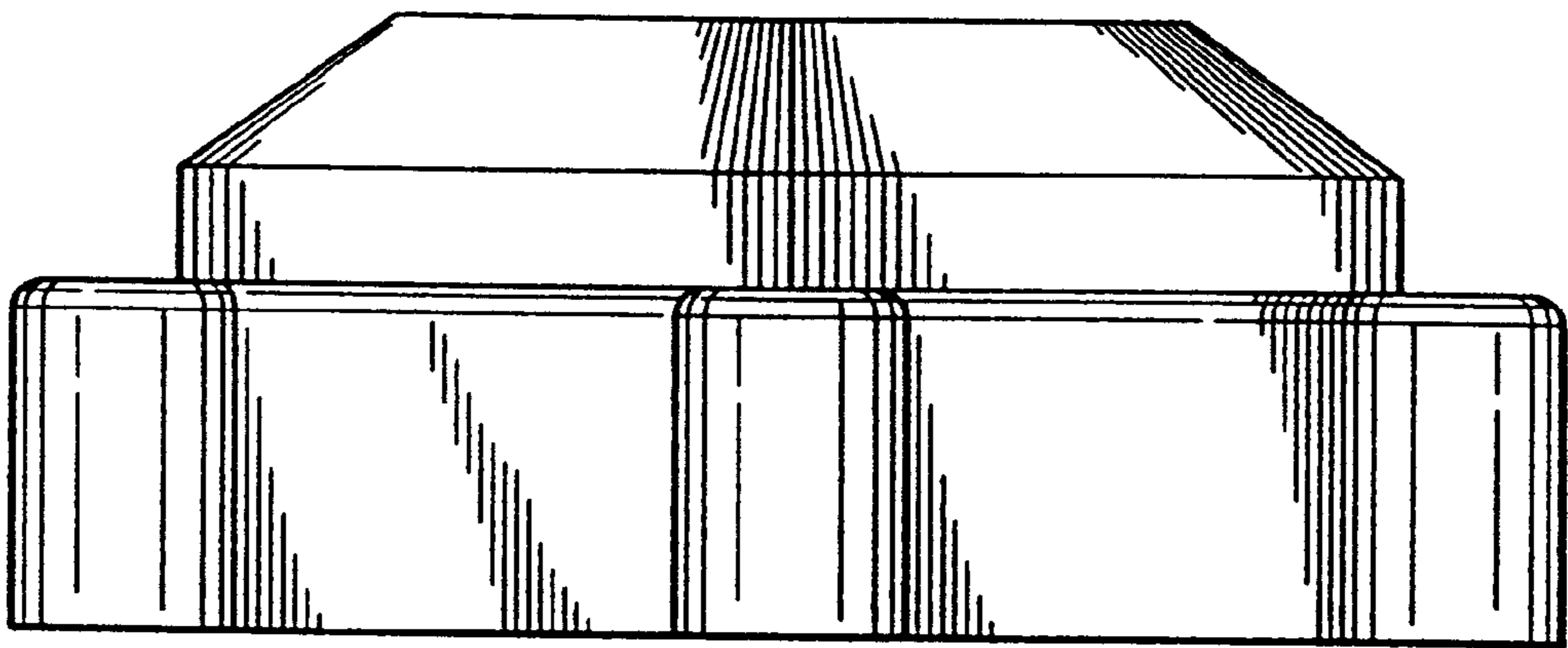


FIG. 4

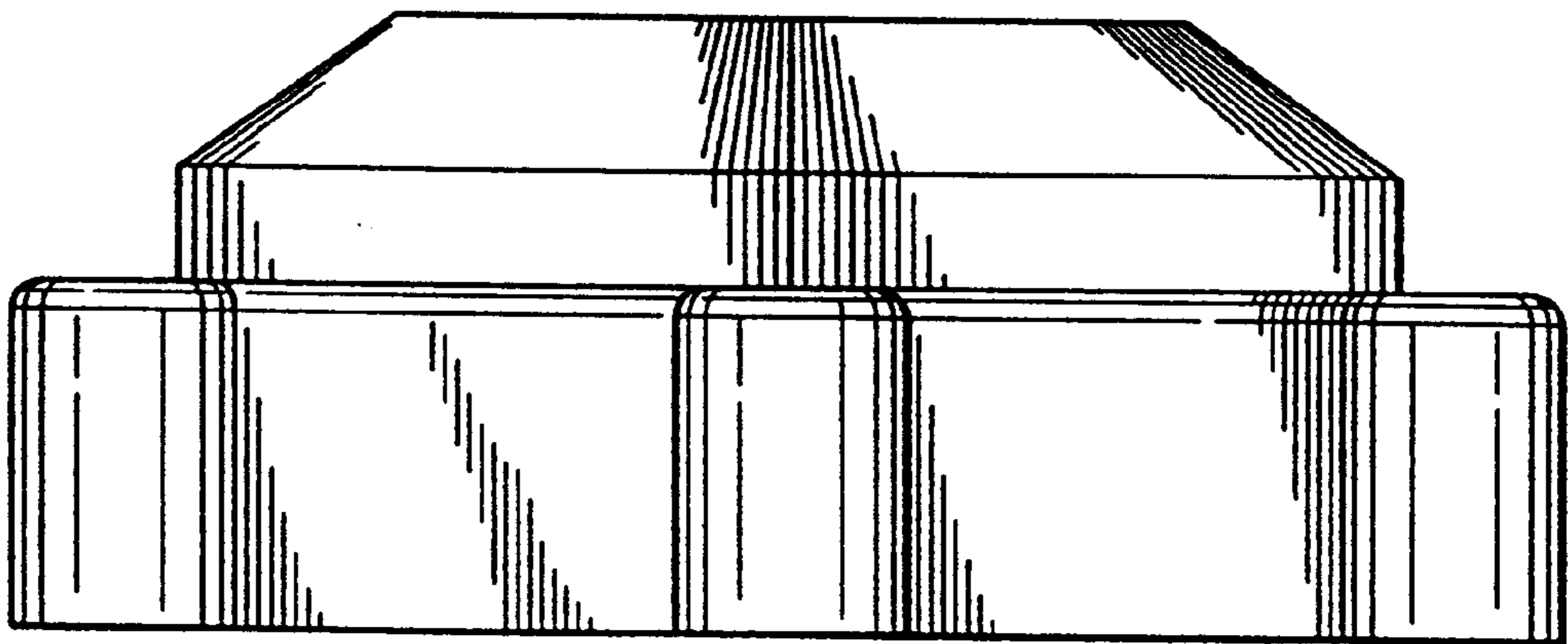


FIG. 5

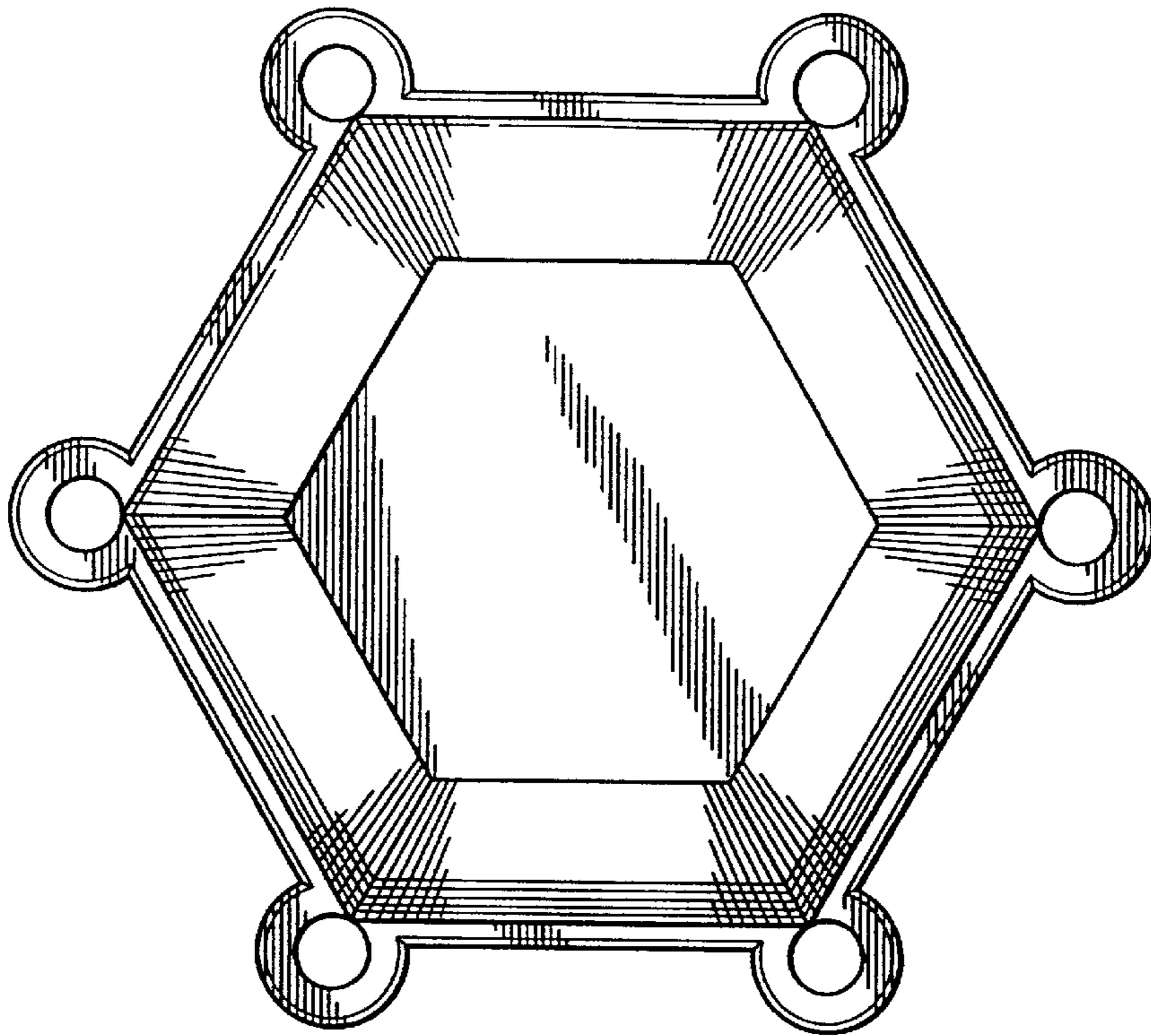


FIG. 6

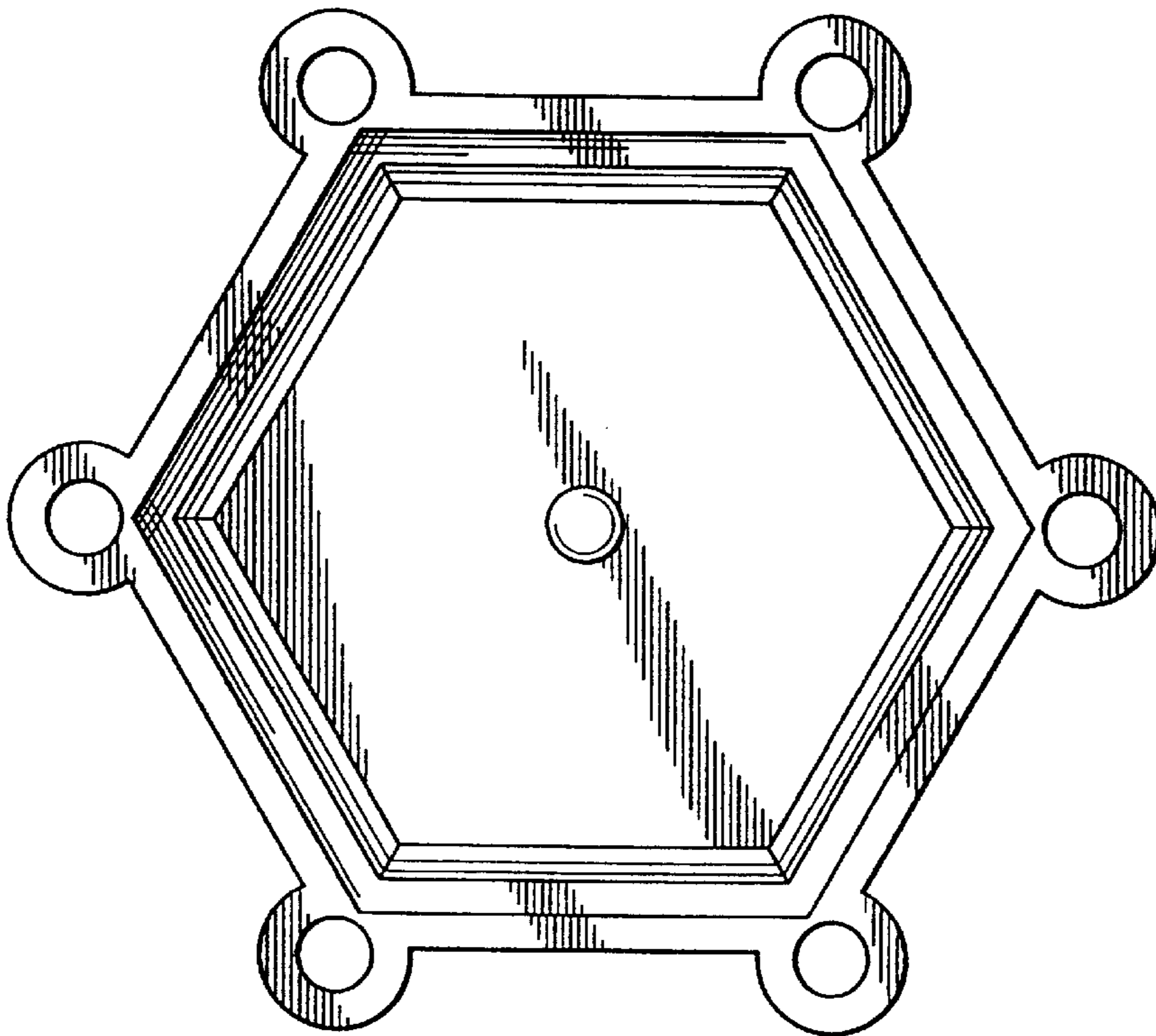


FIG. 7

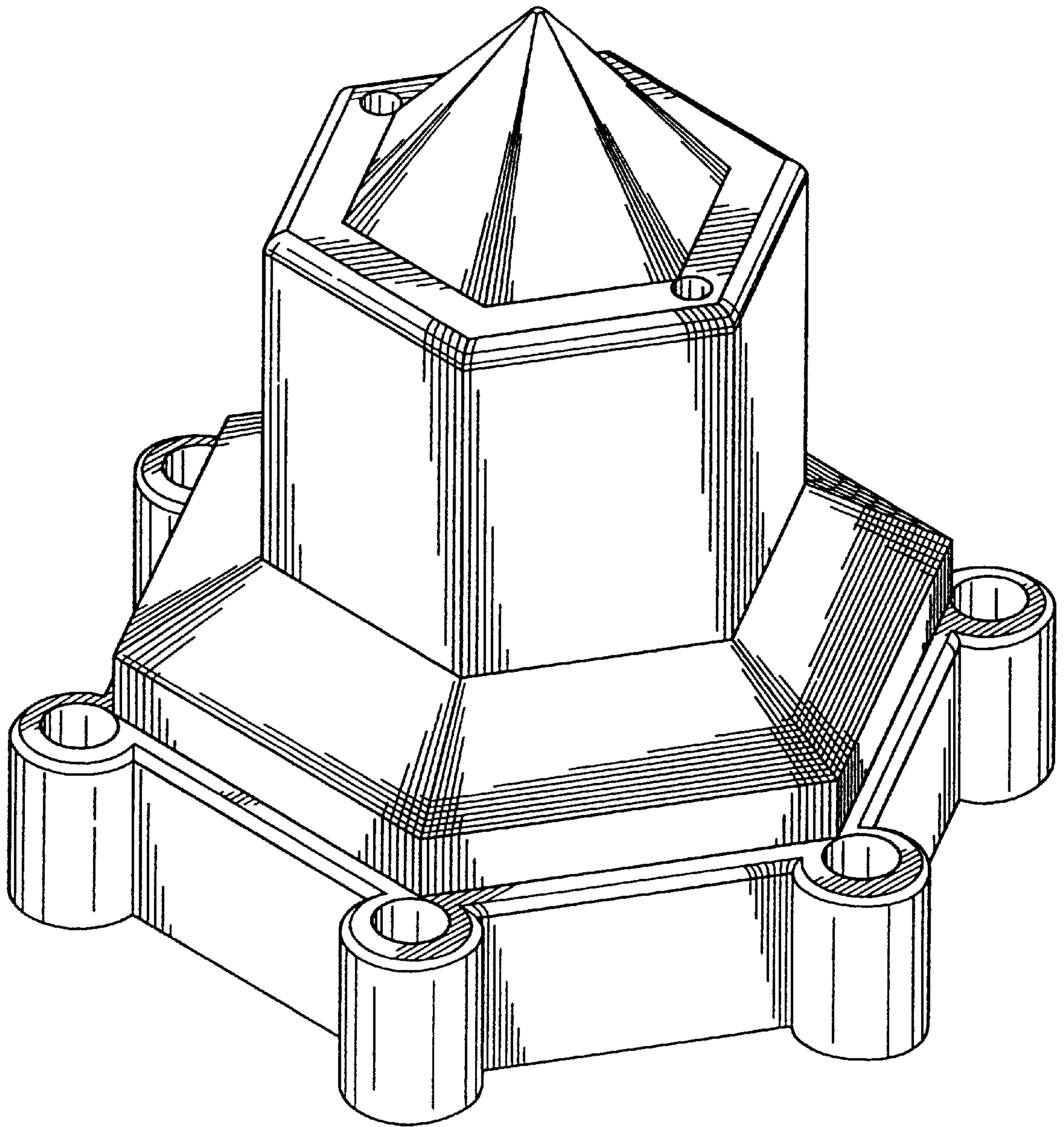


FIG. 8

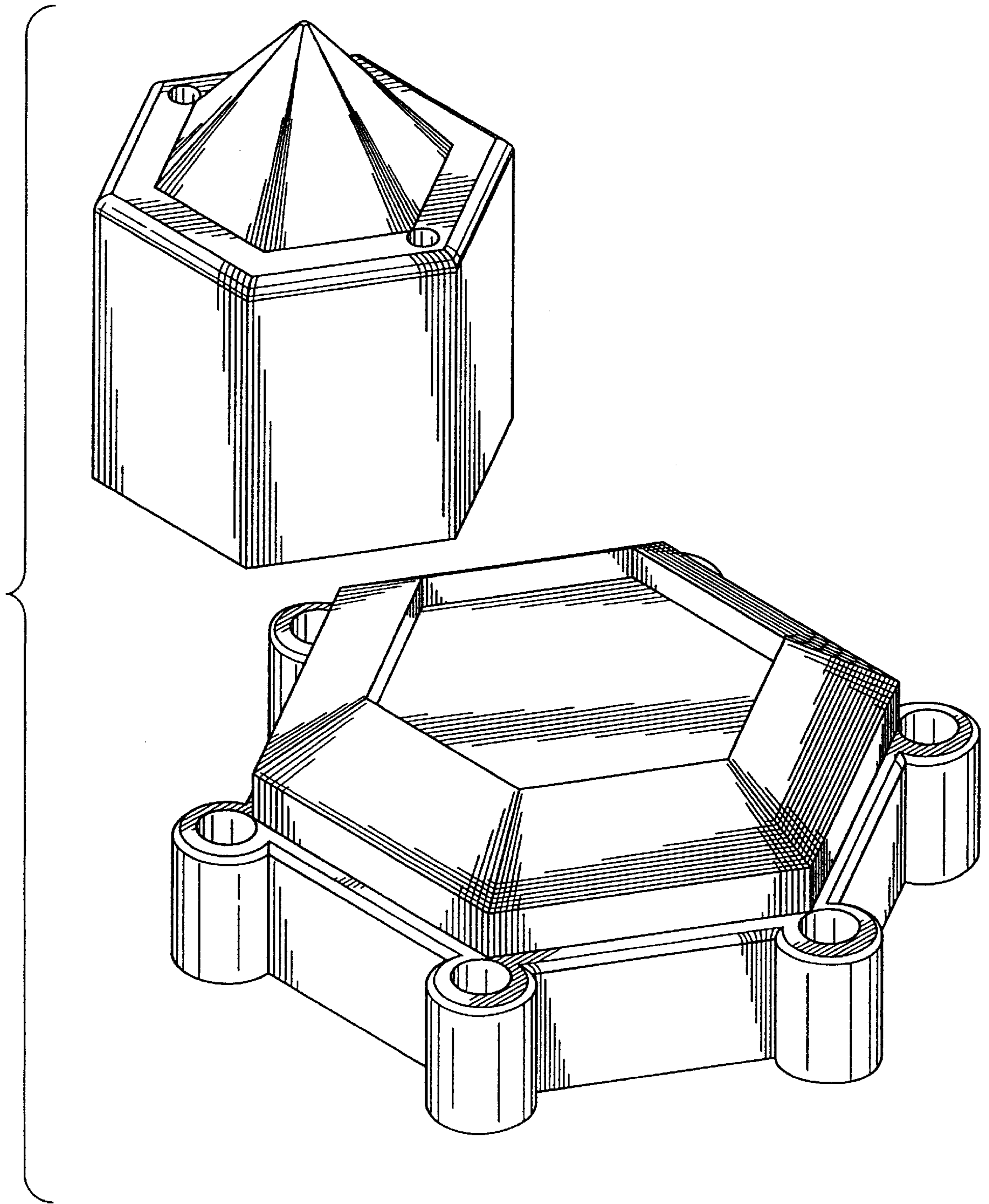


FIG. 9

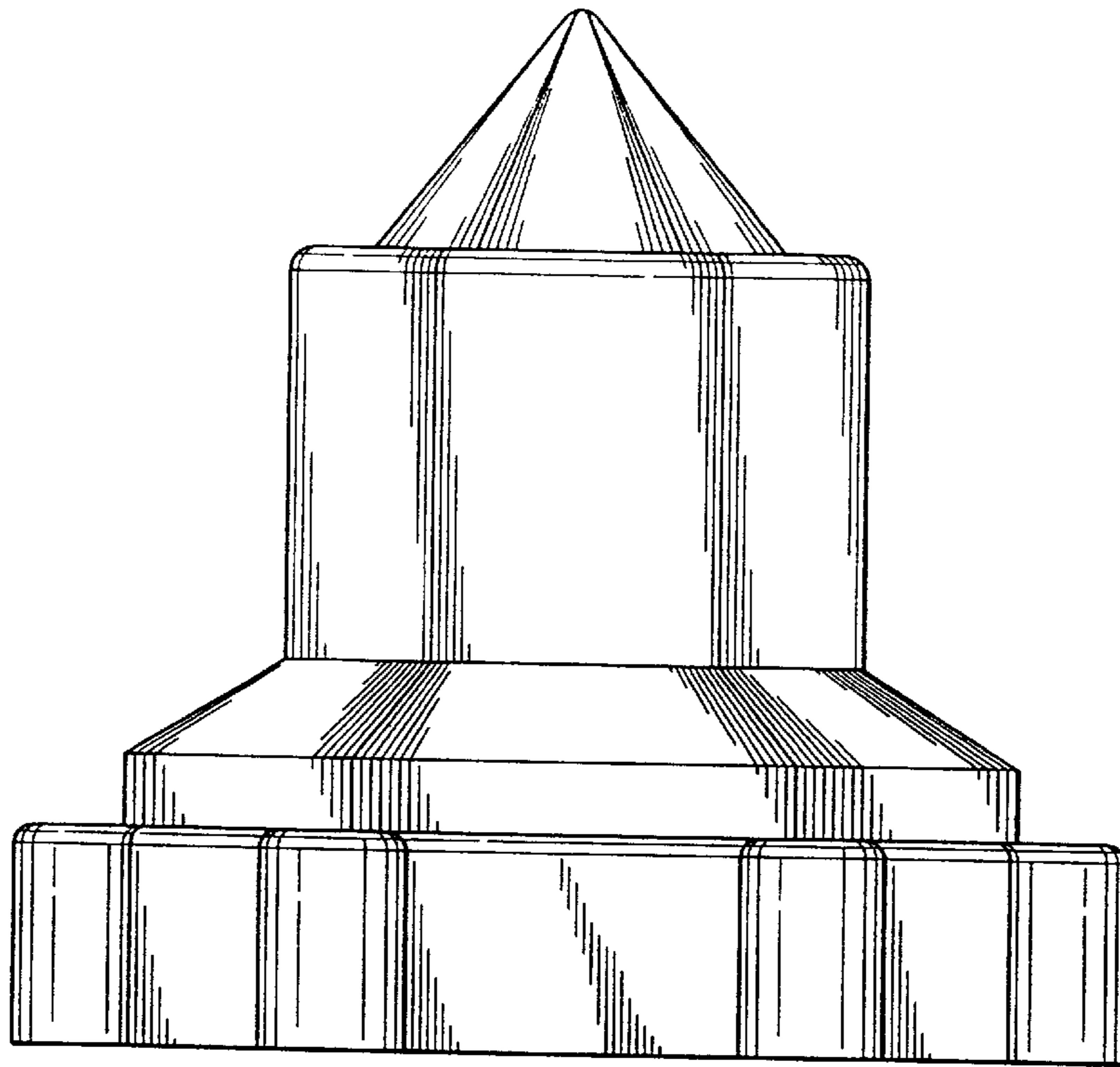


FIG. 10

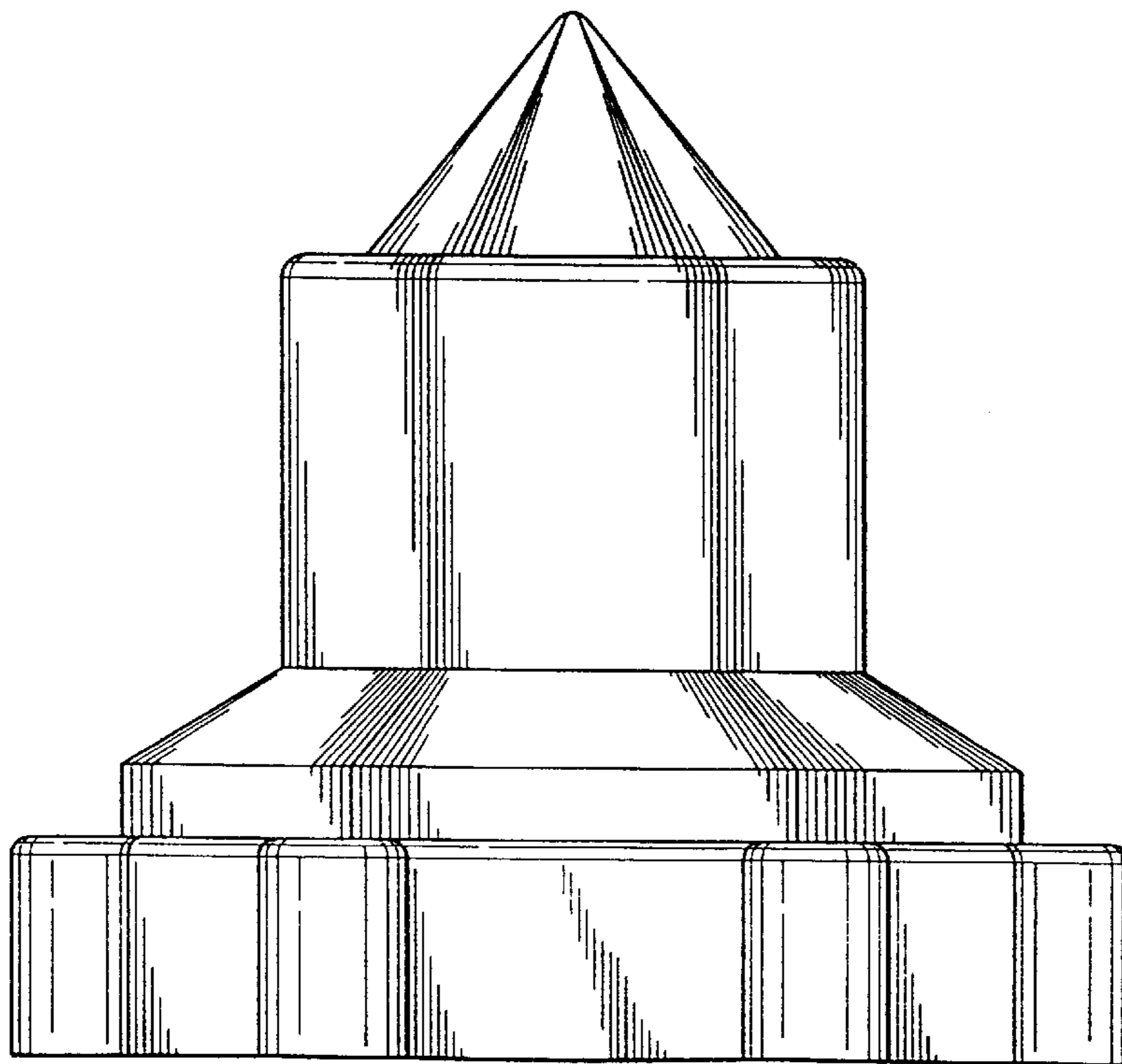


FIG. 11

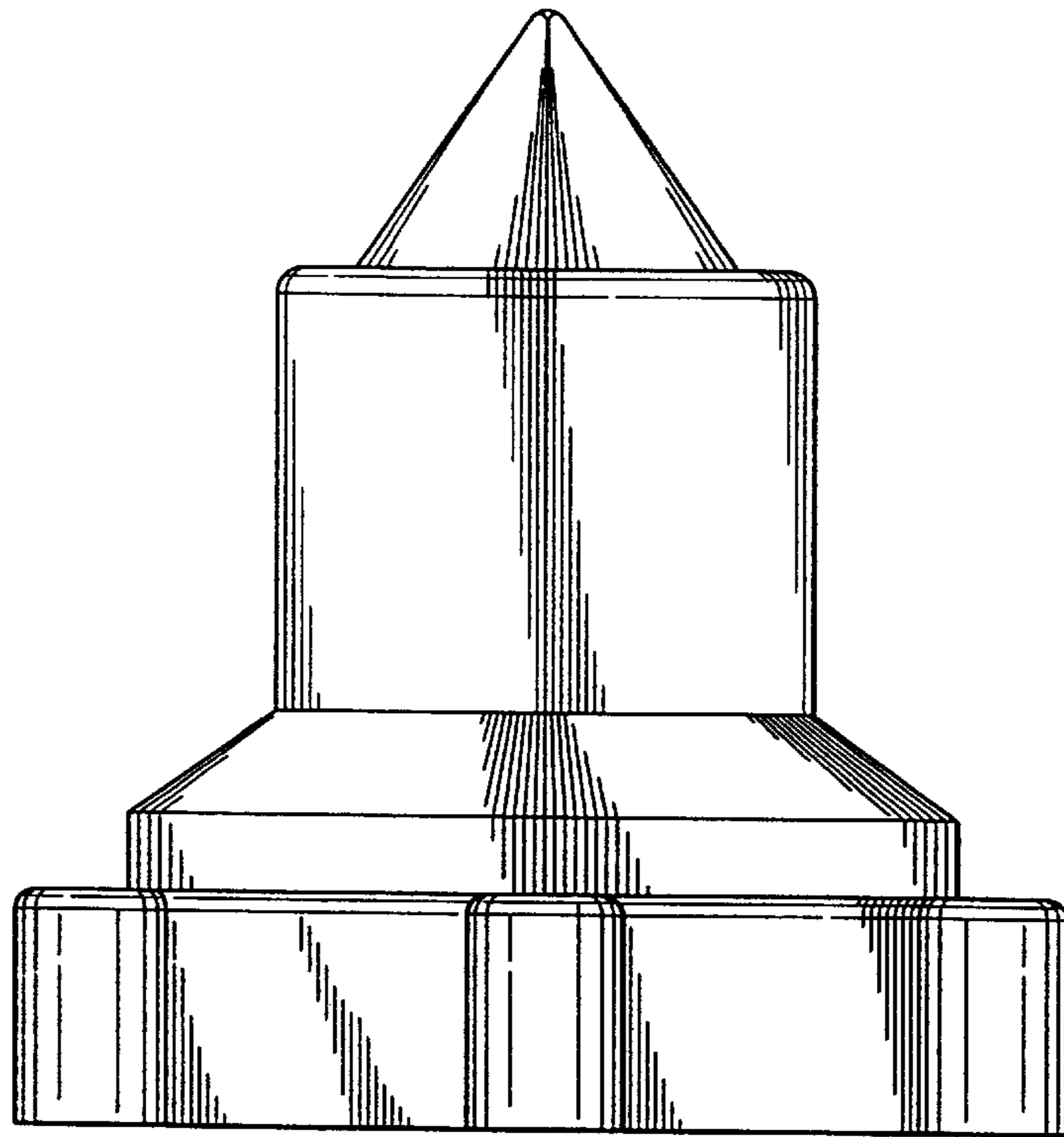


FIG. 12

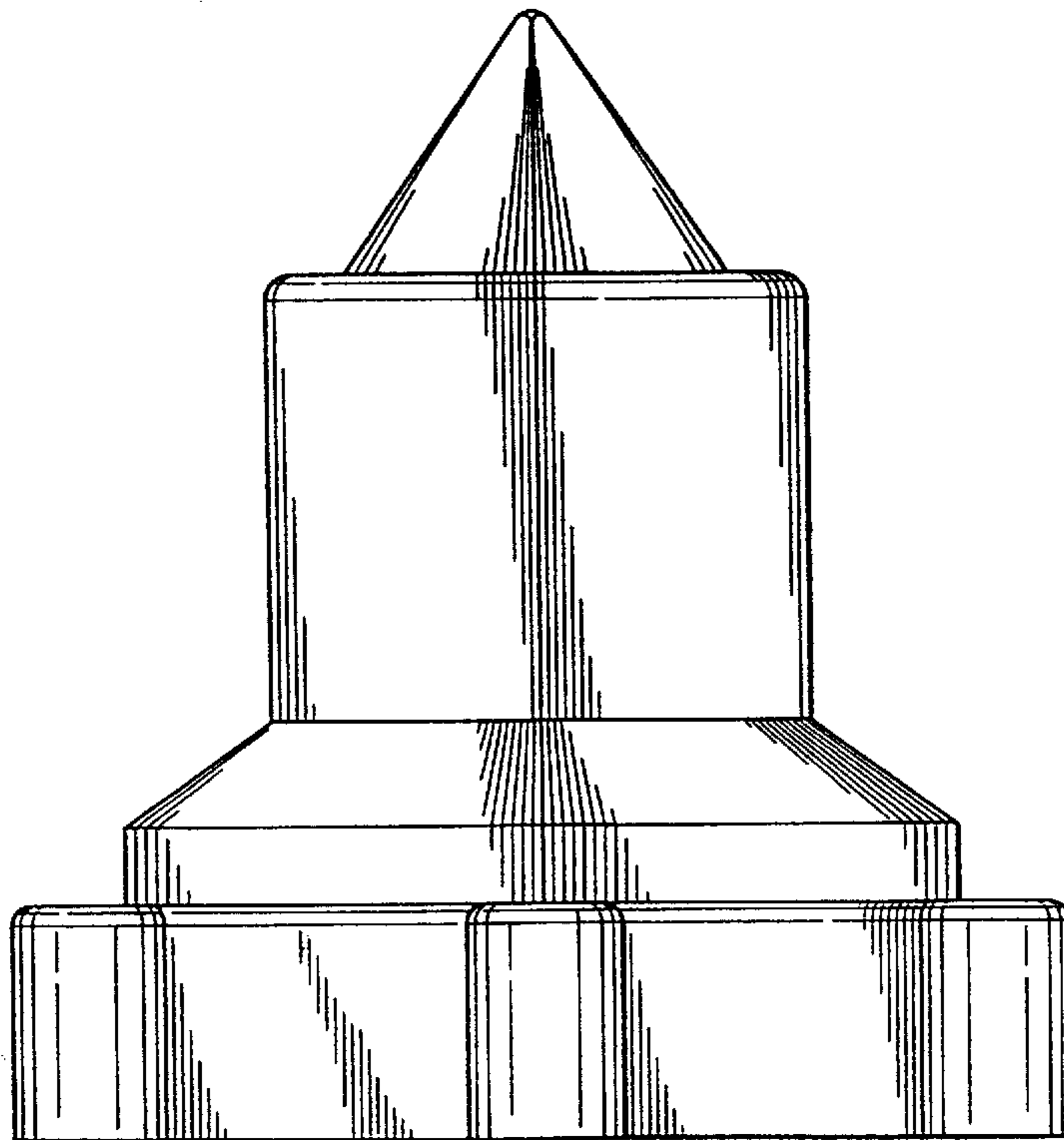


FIG. 13

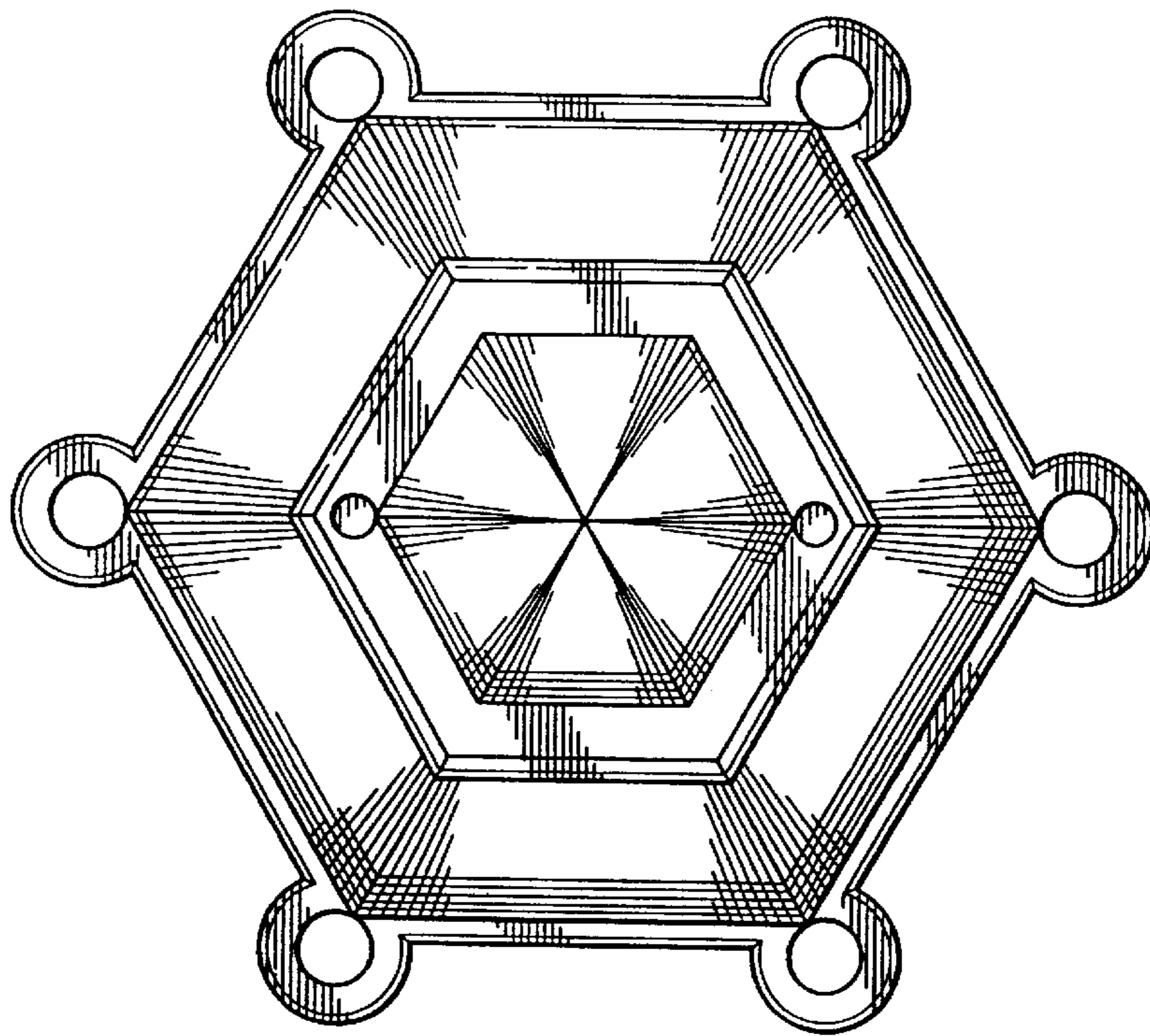


FIG. 14

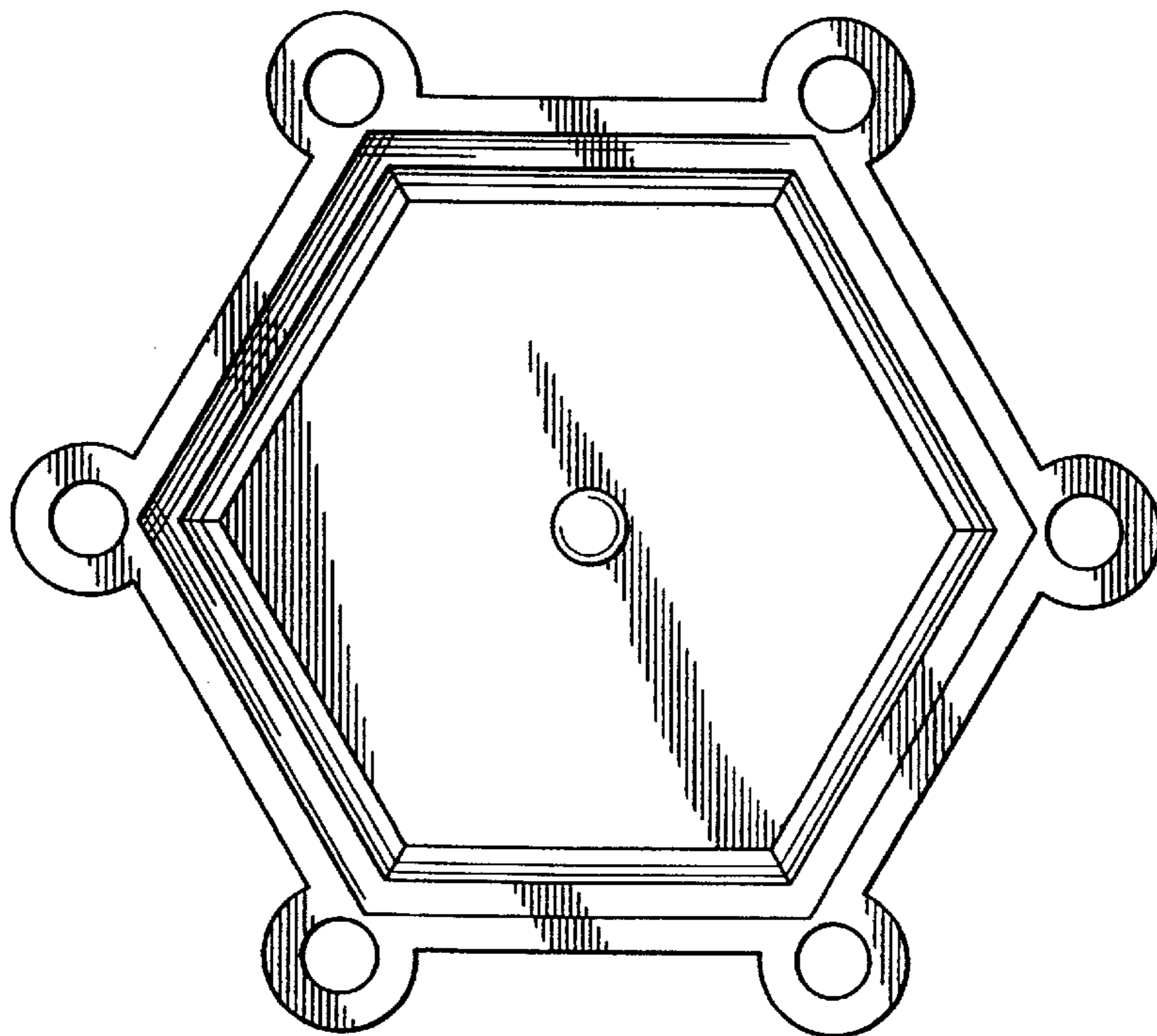


FIG. 15