



US00D439929S

(12) **United States Design Patent**
Shanok

(10) **Patent No.:** **US D439,929 S**

(45) **Date of Patent:** **** Apr. 3, 2001**

(54) **SIDE TRIM FOR SIGN LETTERS**

(75) Inventor: **Daniel A. Shanok**, Warren, NJ (US)

(73) Assignee: **Silvatrim Corporation of America**,
South Plainfield, NJ (US)

(**) Term: **14 Years**

(21) Appl. No.: **29/104,395**

(22) Filed: **May 4, 1999**

(51) **LOC (7) Cl.** **19-08**

(52) **U.S. Cl.** **D20/43**

(58) **Field of Search** D20/10, 11, 12,
D20/39, 40, 42, 43, 44; 40/1, 584, 617,
618, 621, 622, 623, 649; D18/24, 26, 29

(56) **References Cited**

U.S. PATENT DOCUMENTS

D. 354,313 * 1/1995 Schmitt D20/12

D. 377,505 * 1/1997 Thompson D20/43

* cited by examiner

Primary Examiner—Marcus A. Jackson

(74) *Attorney, Agent, or Firm*—Goodman & Teitelbaum,
Esqs.

(57) **CLAIM**

The ornamental design for a side trim for sign letters, as shown and described.

DESCRIPTION

FIG. 1 is a perspective view of a side trim for sign letters, showing my new design;

FIG. 2 is a front elevational view thereof;

FIG. 3 is a top plan view thereof;

FIG. 4 is a bottom plan view thereof;

FIG. 5 is a rear elevational view thereof;

FIG. 6 is a left side elevational view thereof; and,

FIG. 7 is a right side elevational view thereof.

The broken line showing of a sign letter in FIG. 1 is for illustrative purposes only and forms no part of the claimed design.

1 Claim, 1 Drawing Sheet

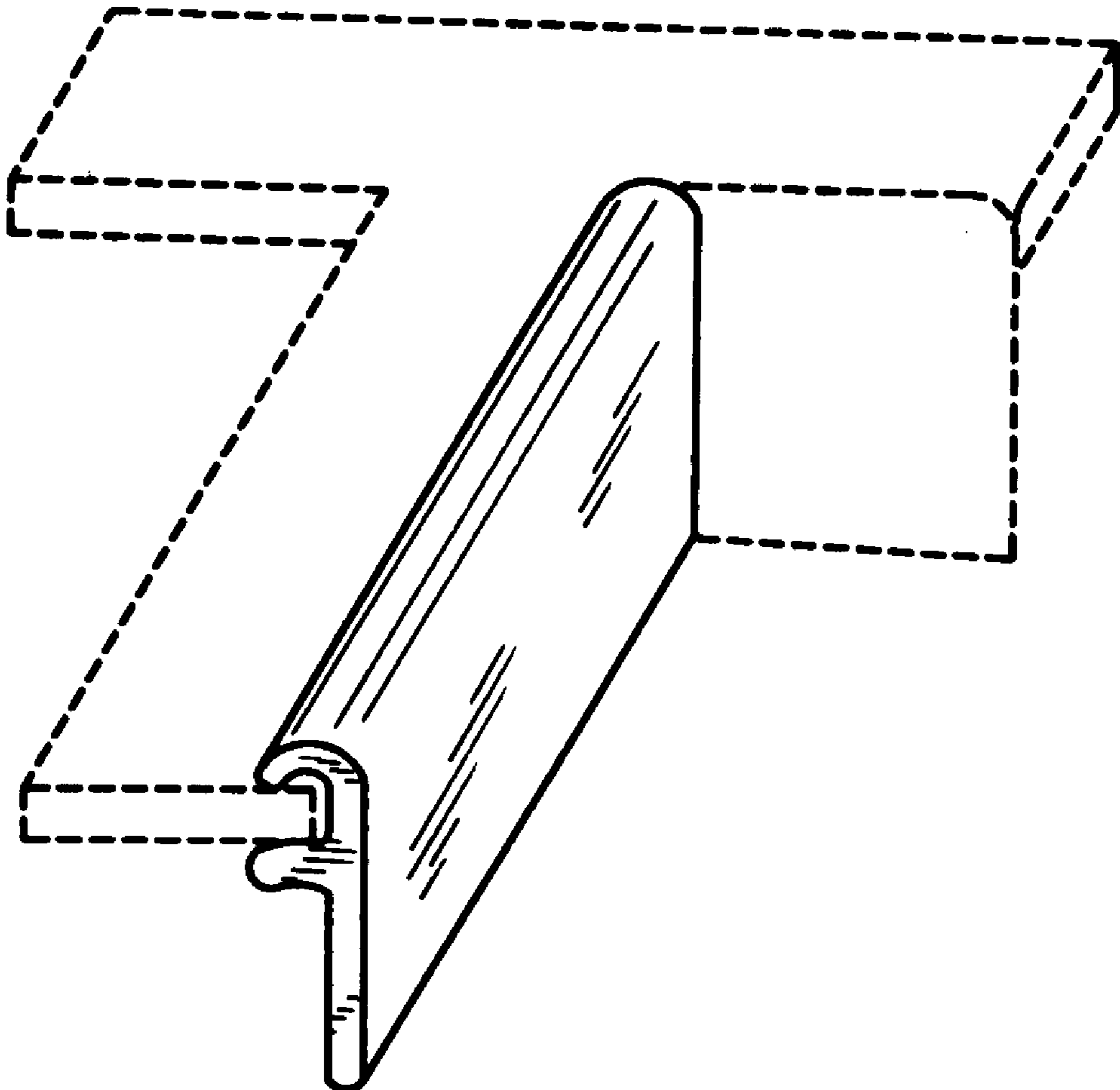


FIG. 1

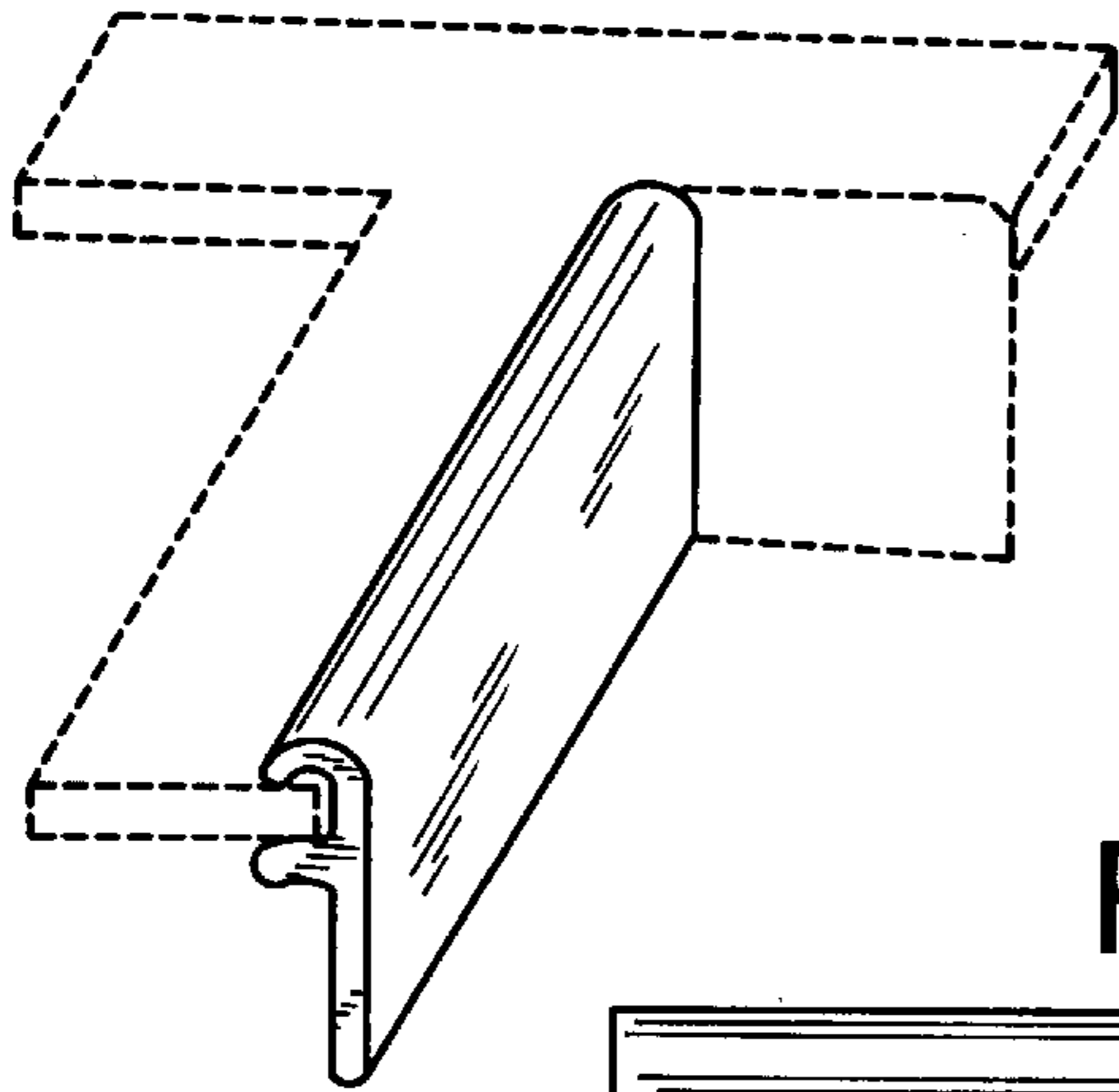


FIG. 3

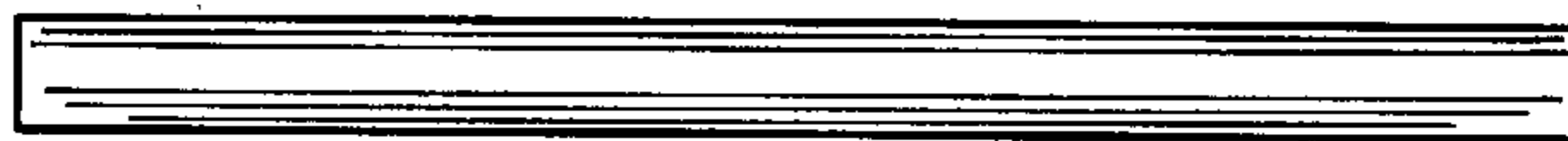


FIG. 6



FIG. 2

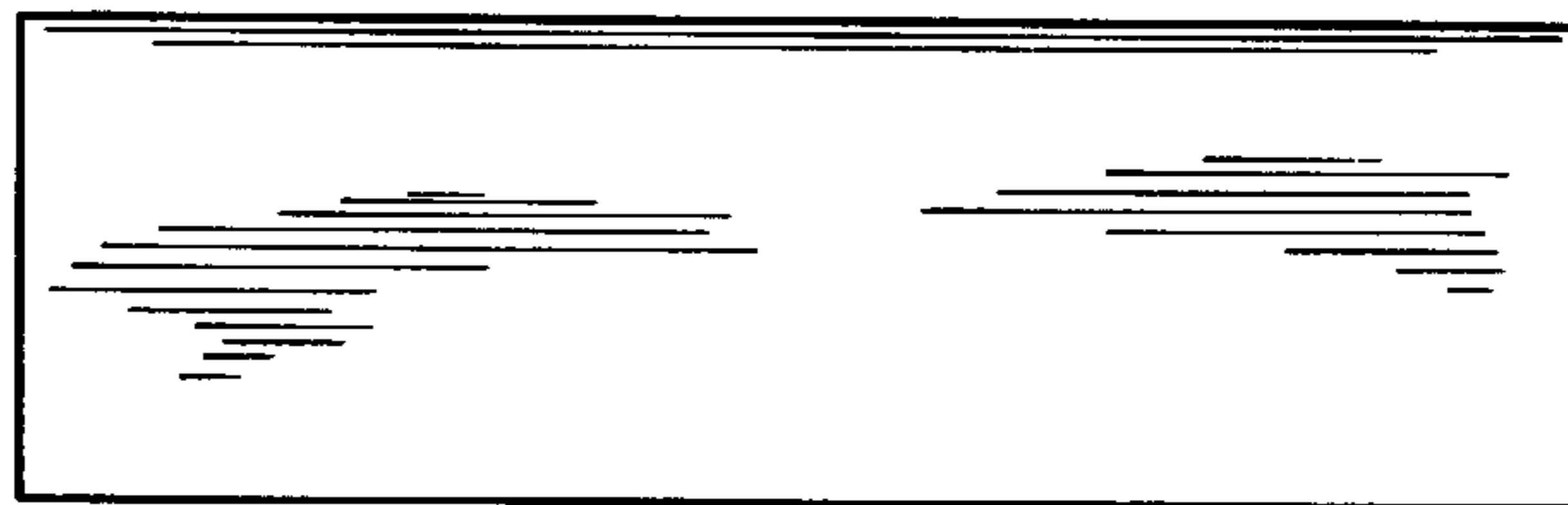


FIG. 7

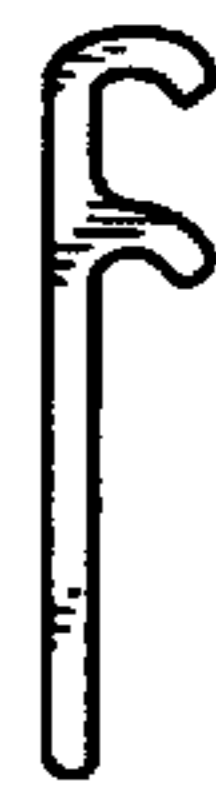


FIG. 4



FIG. 5

