



US00D439927S

(12) **United States Design Patent**  
**Coward et al.**

(10) **Patent No.:** **US D439,927 S**

(45) **Date of Patent:** **\*\* Apr. 3, 2001**

(54) **BRUSH HANGING TAB**

D. 412,938 \* 8/1999 Kesselring et al. .... D20/28

(75) Inventors: **Philip Wenman Coward**, Mere  
Wiltshire; **Patrick Dennis Suter**, Mere,  
both of (GB)

\* cited by examiner

*Primary Examiner*—Marcus A. Jackson  
(74) *Attorney, Agent, or Firm*—Ratner & Prestia

(73) Assignee: **The Hill Brush Company Limited**,  
Wiltshire (GB)

(57) **CLAIM**

(\*\*) Term: **14 Years**

The ornamental design for a brush hanging tab, as shown  
and described.

(21) Appl. No.: **29/117,991**

**DESCRIPTION**

(22) Filed: **Feb. 2, 2000**

FIG. 1 is a top plan view of the brush hanging tab in  
accordance with the present invention.

(30) **Foreign Application Priority Data**

Nov. 5, 1999 (GB) ..... 2087955

FIG. 2 is a side elevation view of the brush hanging tab in  
accordance with the present invention, one side being a  
mirror image of the other.

(51) **LOC (7) Cl.** ..... **19-08**

(52) **U.S. Cl.** ..... **D20/23**

FIG. 3 is a bottom plan view of the brush hanging tab in  
accordance with the present invention.

(58) **Field of Search** ..... D20/22, 23, 27,  
D20/28, 42; 40/310, 311, 299, 1, 1.5, 1.6

FIG. 4 is an elevation front view of the brush hanging tab in  
accordance with the present invention; and,

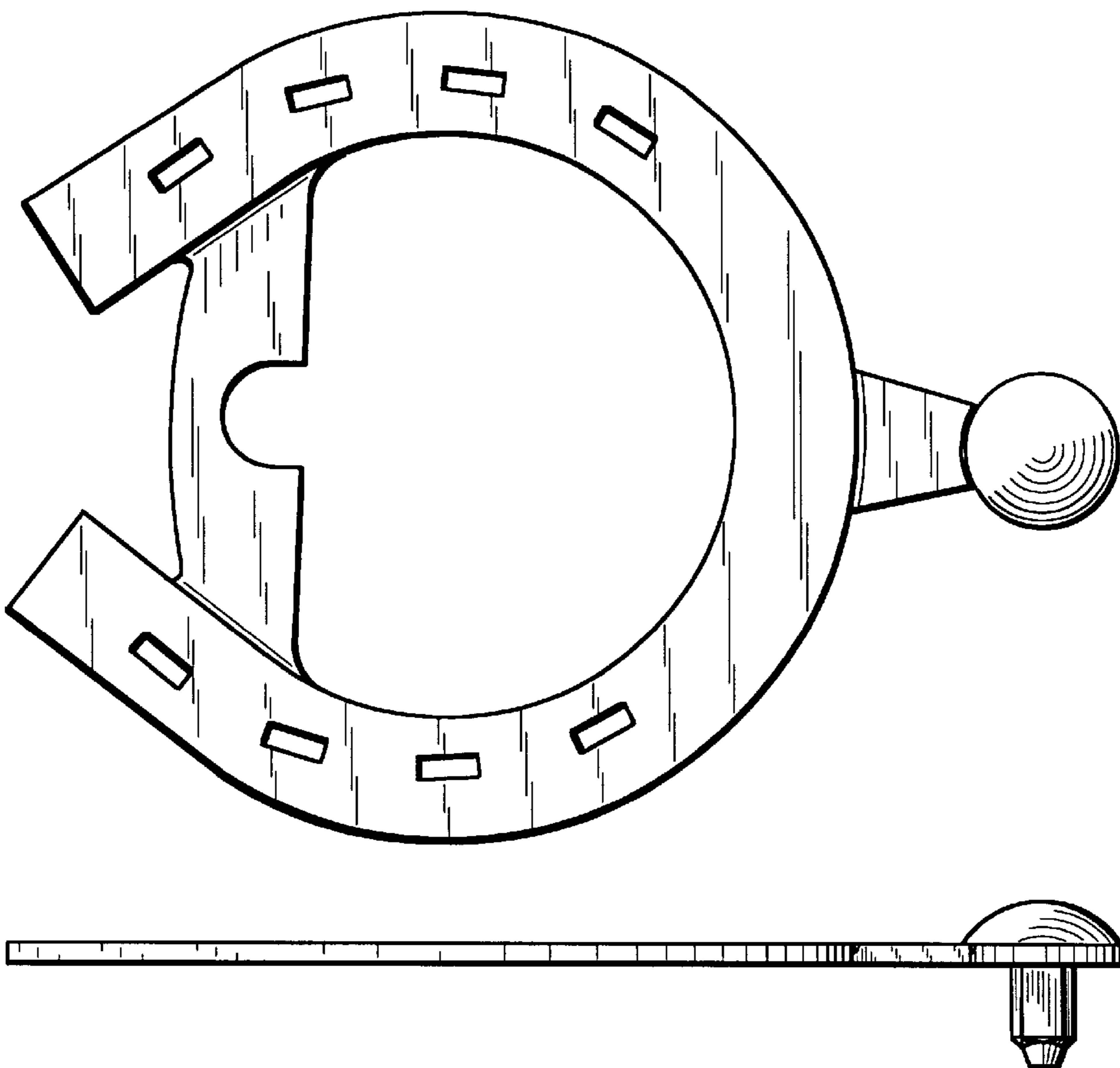
(56) **References Cited**

FIG. 5 is a rear elevation view of the brush hanging tab in  
accordance with the present invention.

**U.S. PATENT DOCUMENTS**

D. 384,978 \* 10/1997 Shimogori et al. .... D20/23

**1 Claim, 2 Drawing Sheets**



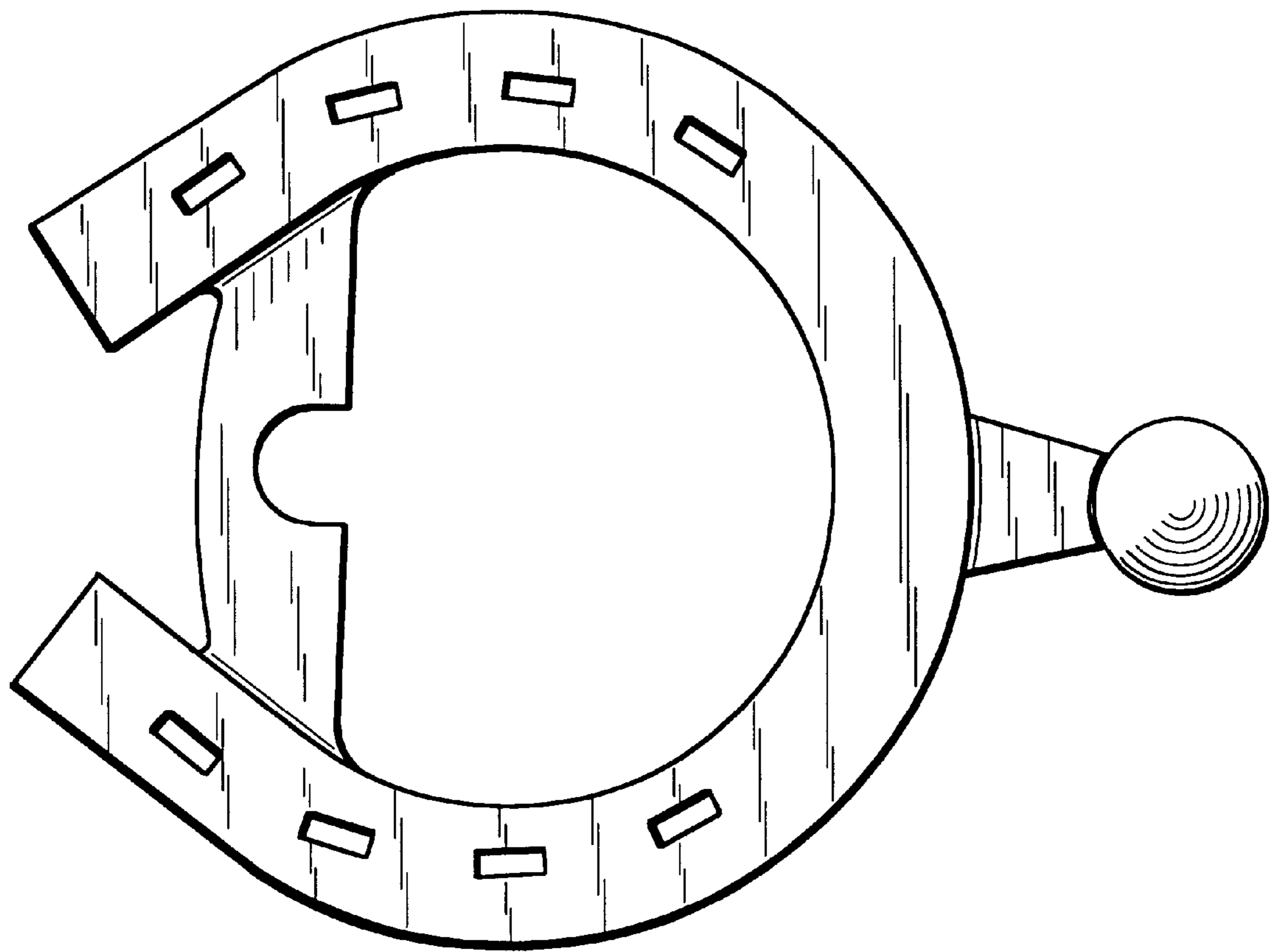


FIG. 1

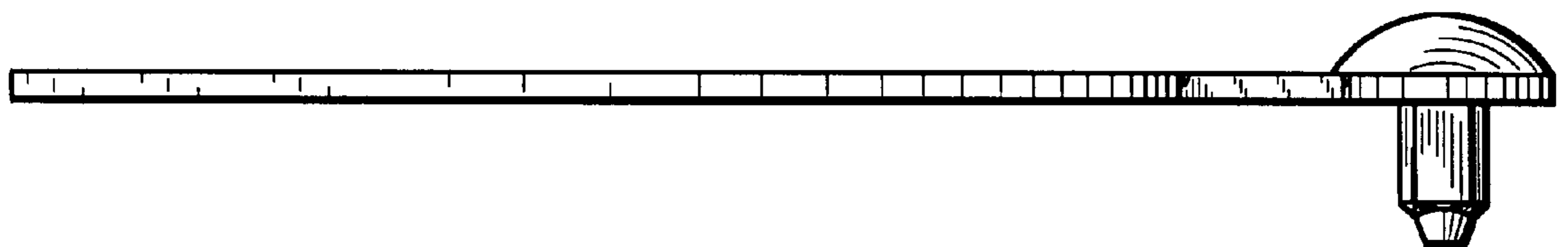


FIG. 2

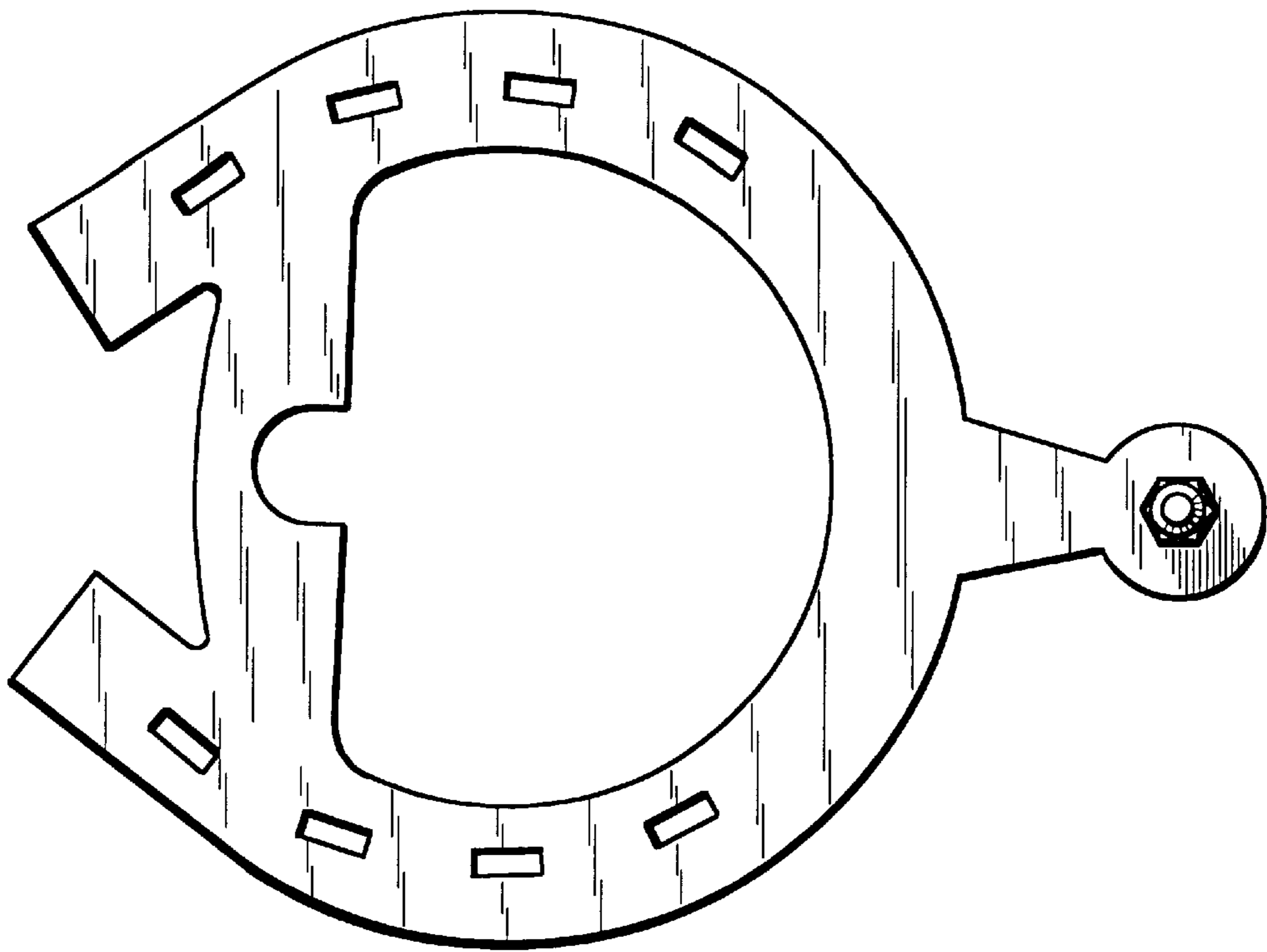


FIG. 3

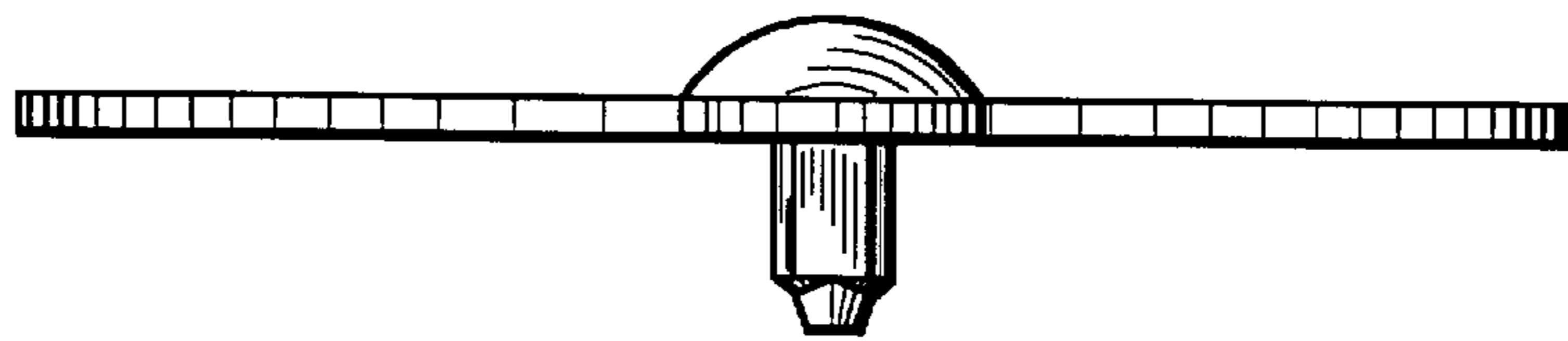


FIG. 4

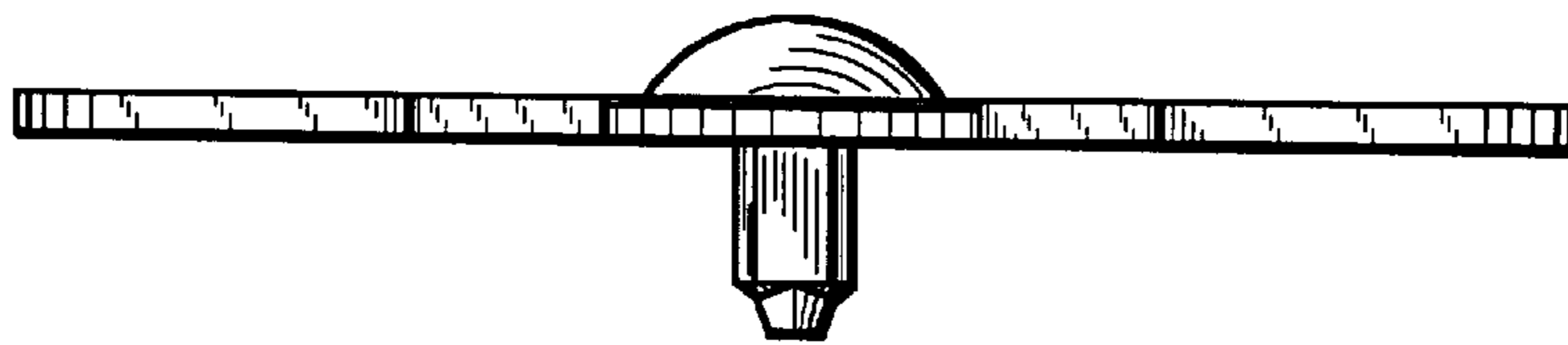


FIG. 5