



US00D439925S

(12) **United States Design Patent** (10) **Patent No.:** **US D439,925 S**  
**Santhanam et al.** (45) **Date of Patent:** **\*\* Apr. 3, 2001**

(54) **INK JET PRINT CARTRIDGE**

(75) Inventors: **Ram Santhanam**, San Diego; **Mark McCluskey**, Leucadia, both of CA (US); **William T Fitzsimmons**, Acton, MA (US); **Daniel S Kline**, Encinitas, CA (US); **Jason W Livengood**, Sanford, ME (US); **Andrew J Zoolakis**, La Costa, CA (US)

(73) Assignee: **Hewlett-Packard Company**, Palo Alto, CA (US)

(\*\*) Term: **14 Years**

(21) Appl. No.: **29/116,564**

(22) Filed: **Jan. 5, 2000**

(51) **LOC (7) Cl.** ..... **18-02**

(52) **U.S. Cl.** ..... **D18/56; 347/86**

(58) **Field of Search** ..... **D18/56; 347/86, 347/87**

(56) **References Cited**

**U.S. PATENT DOCUMENTS**

D. 365,596	*	12/1995	Miyazawa et al.	.....	D18/56
D. 378,760	*	4/1997	Shinada et al.	.....	D18/56
D. 382,296	*	8/1997	Shinada et al.	.....	D18/56
D. 389,180	*	1/1998	Miyazawa et al.	.....	D18/56
D. 390,261	*	2/1998	Miyazawa et al.	.....	D18/56
D. 392,312	*	3/1998	Inoue et al.	.....	D18/56
D. 397,143	*	8/1998	Kobayashi et al.	.....	D18/56
D. 400,574	*	11/1998	Inoue et al.	.....	D18/56
D. 400,575	*	11/1998	Kobayashi et al.	.....	D18/56
D. 401,620	*	11/1998	Nozawa et al.	.....	D18/56
D. 401,621	*	11/1998	Shimizu et al.	.....	D18/56
D. 406,163	*	2/1999	Shimizu et al.	.....	D18/56
D. 412,526	*	8/1999	Shimizu et al.	.....	D18/56
D. 425,112	*	5/2000	Shinada et al.	.....	D18/56
D. 425,285	*	5/2000	Shinada et al.	.....	347/86
D. 425,932	*	5/2000	Shimizu et al.	.....	D18/56
D. 427,236	*	6/2000	Shinada et al.	.....	D18/56
6,102,533	*	8/2000	Nozawa et al.	.....	347/86

\* cited by examiner

*Primary Examiner*—Cathy Anne MacCormac  
(74) *Attorney, Agent, or Firm*—Manuel Quiogue

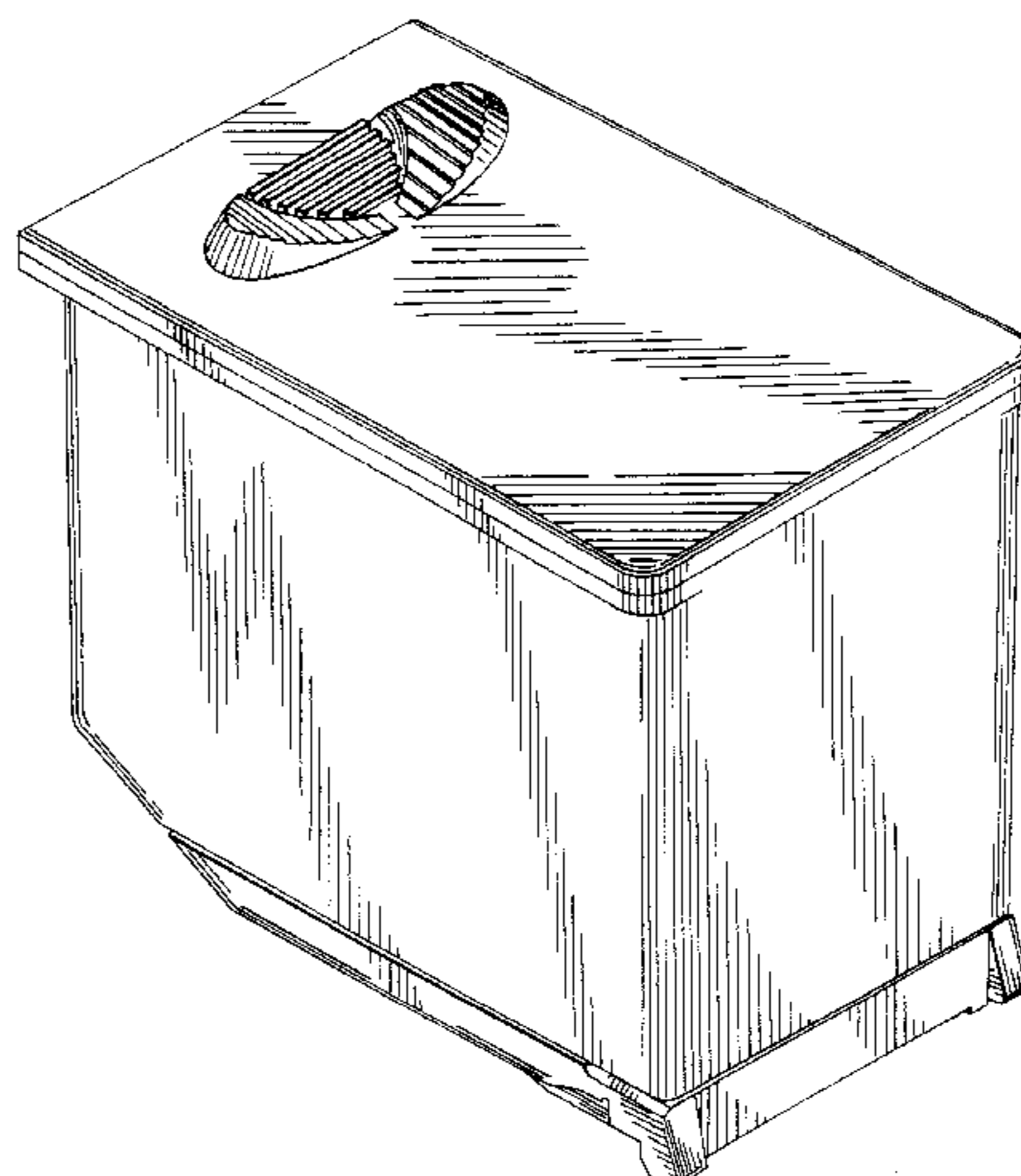
(57) **CLAIM**

The ornamental design for an ink jet print cartridge, as shown.

**DESCRIPTION**

FIG. 1 is a perspective view illustrating our new design; FIG. 2 is a top plan view of our new design; FIG. 3 is a bottom plan view of our new design; FIG. 4 is a right side elevational view of our new design; the left side is a mirror image; FIG. 5 is a rear elevational view of our new design; FIG. 6 is a front elevational view of our new design; FIG. 7 is a perspective view illustrating a first alternative embodiment of our new design; FIG. 8 is a top plan view of the first alternative embodiment of our new design; FIG. 9 is a bottom plan view of the first alternative embodiment of our new design; FIG. 10 is a right side elevational view of the first alternative embodiment of our new design; the left side is a mirror image; FIG. 11 is a rear elevational view of the first alternative embodiment of our new design; FIG. 12 is a front elevational view of the first alternative embodiment our new design; FIG. 13 is a perspective view illustrating a second alternative embodiment of our new design; FIG. 14 is a top plan view of the second alternative embodiment of our new design; FIG. 15 is a bottom plan view of the second alternative embodiment of our new design; FIG. 16 is a right side elevational view of the second alternative embodiment of our new design; the left side is a mirror image; FIG. 17 is a rear elevational view of the second alternative embodiment of our new design; and, FIG. 18 is a front elevational view of the second alternative embodiment our new design.

**1 Claim, 9 Drawing Sheets**



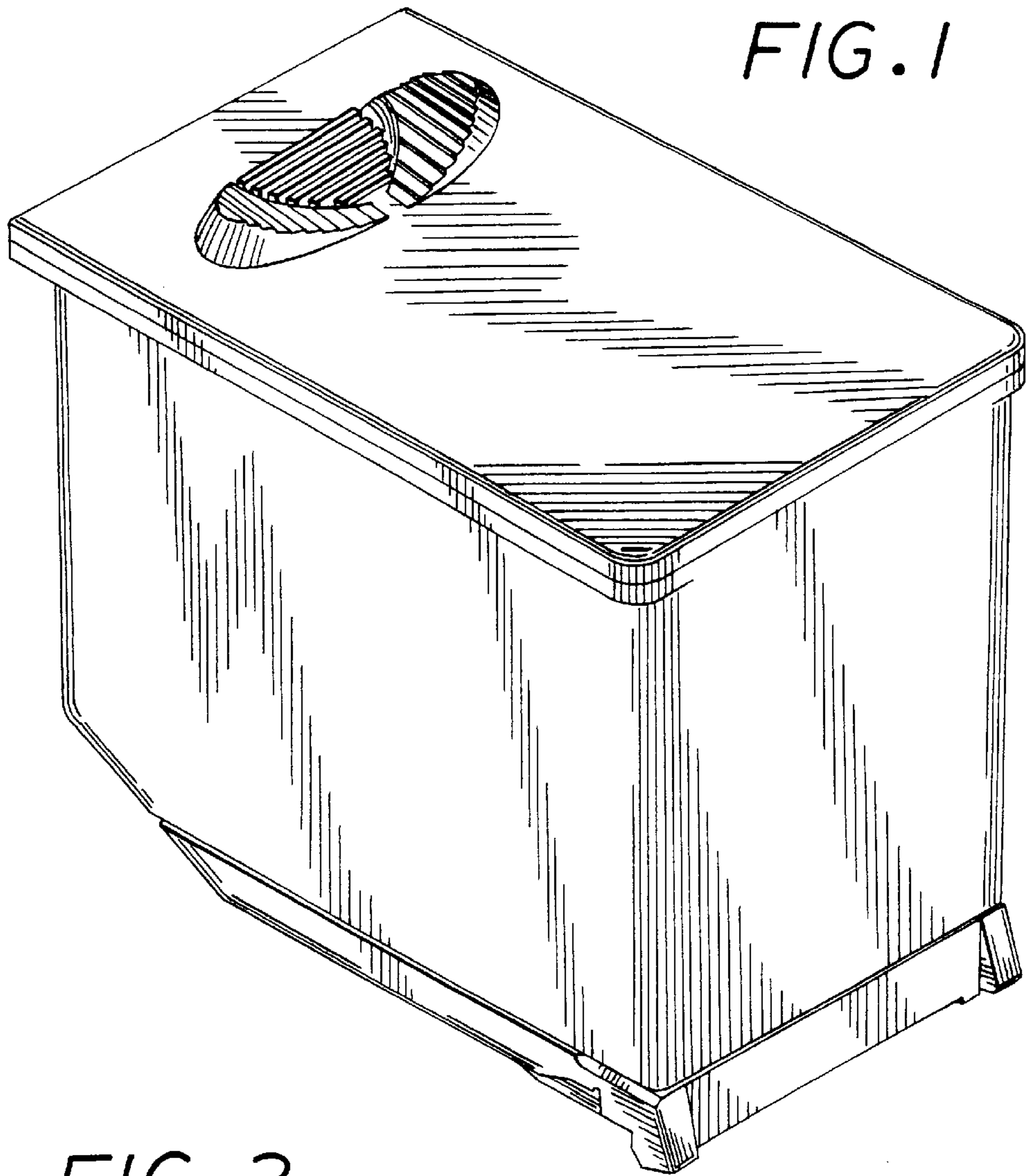


FIG. 2

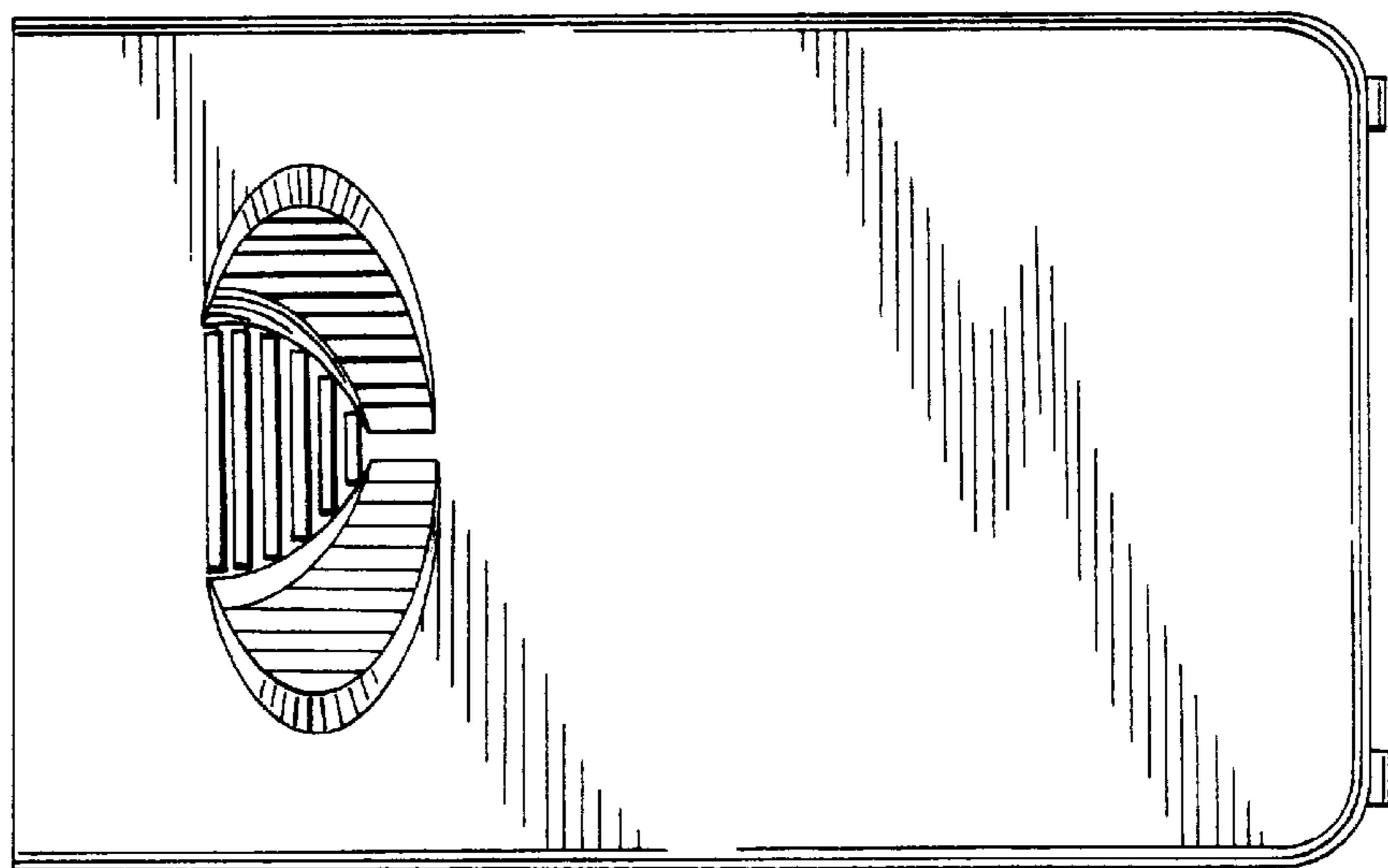


FIG. 3

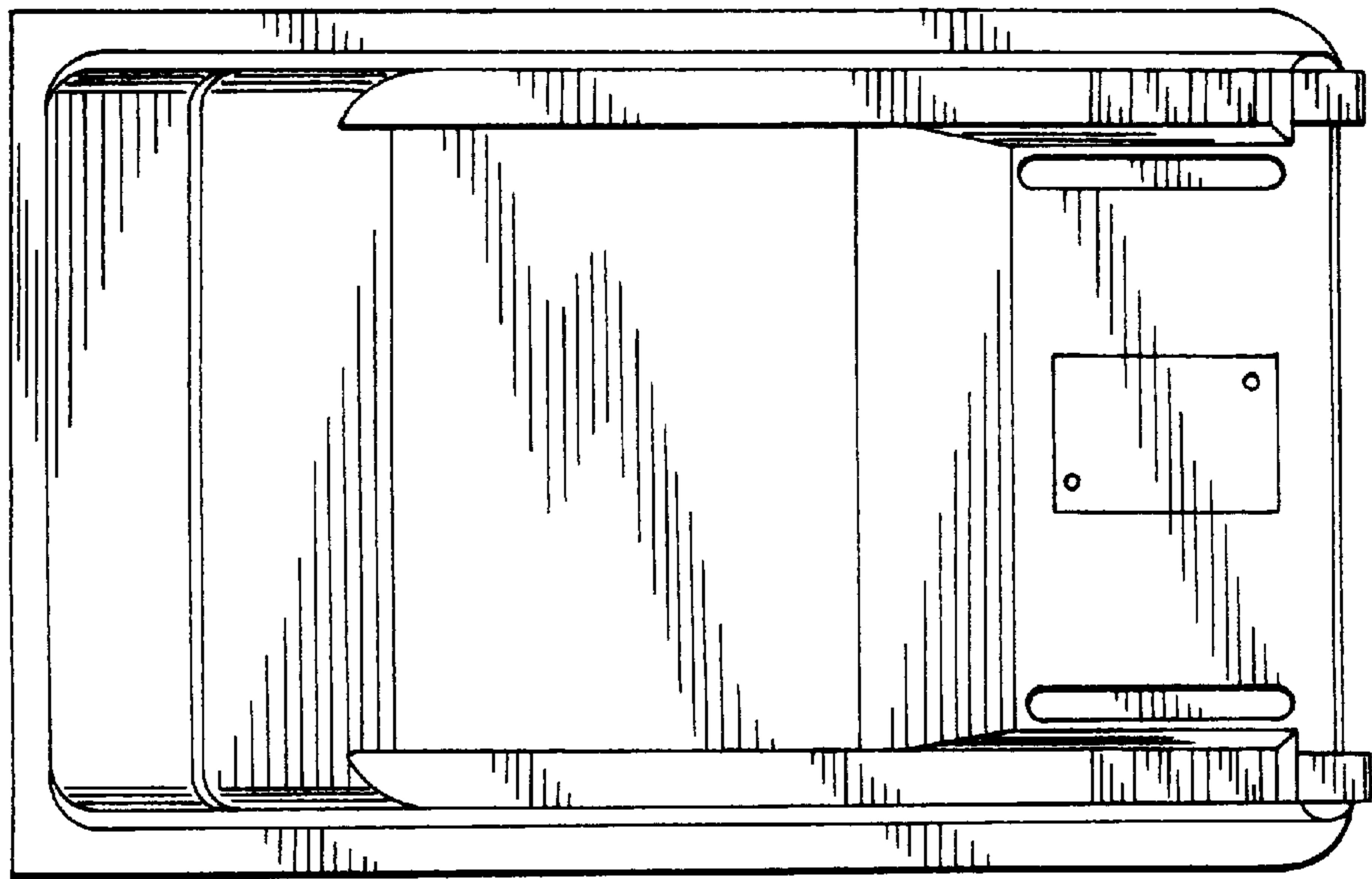
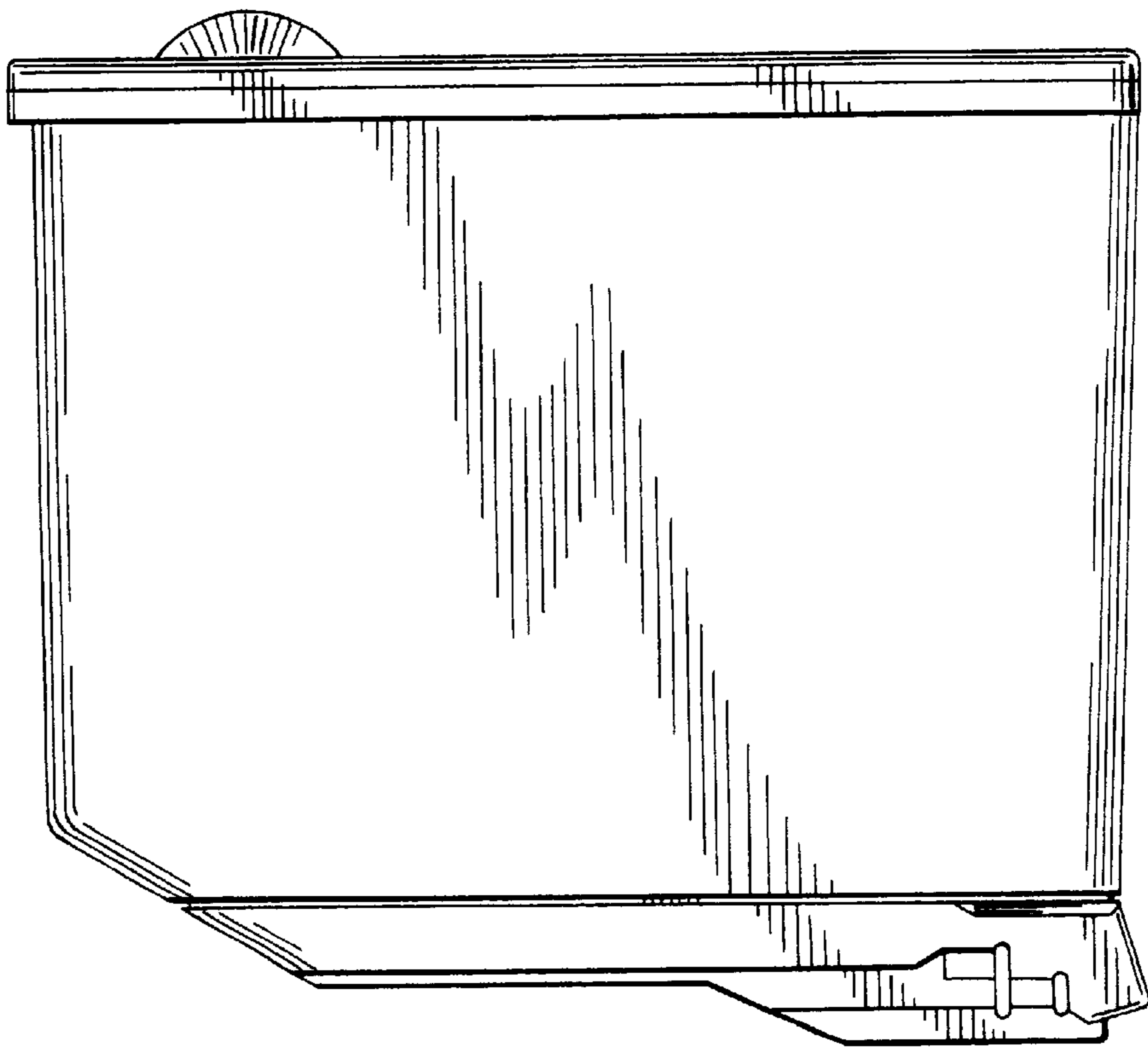
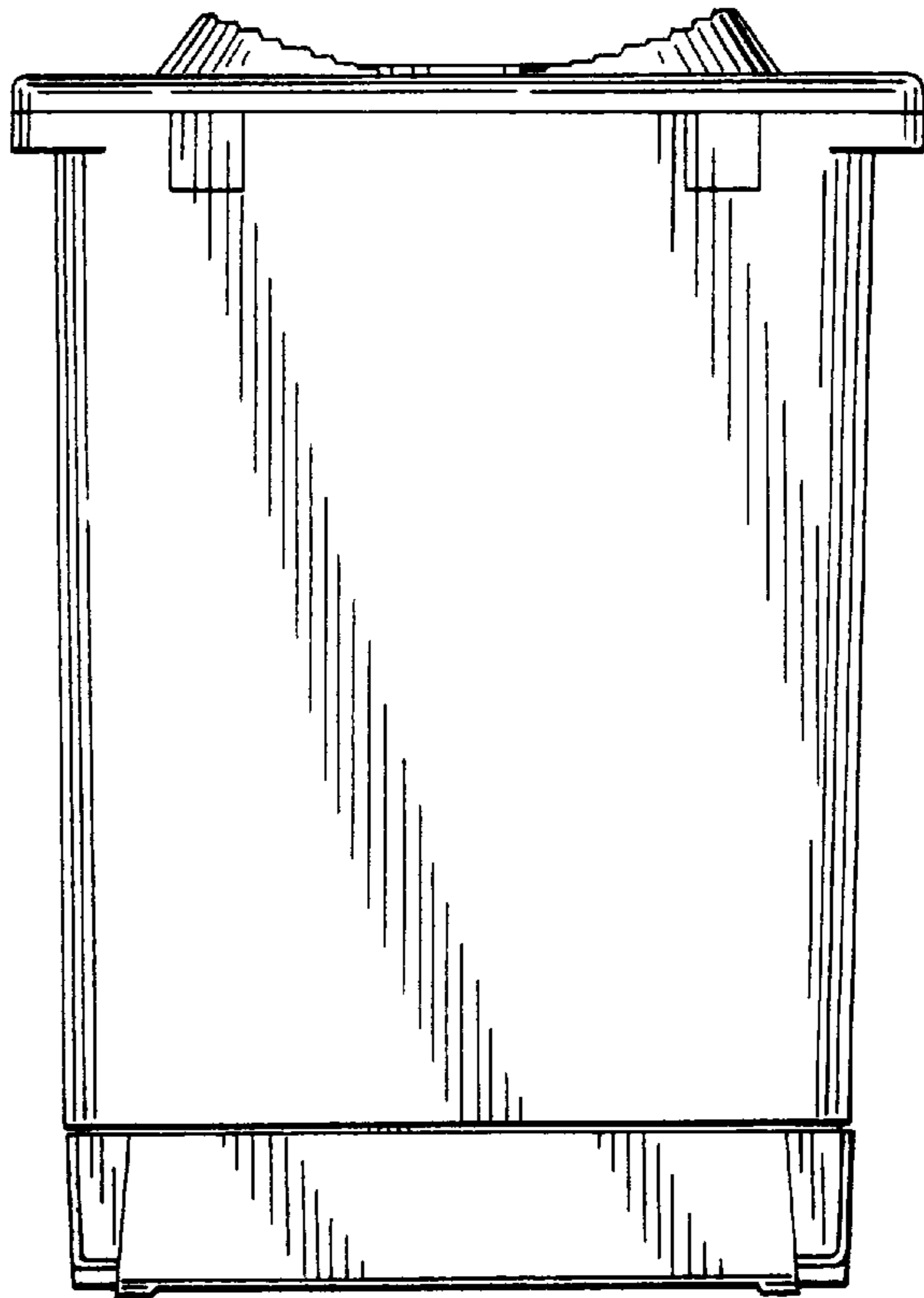


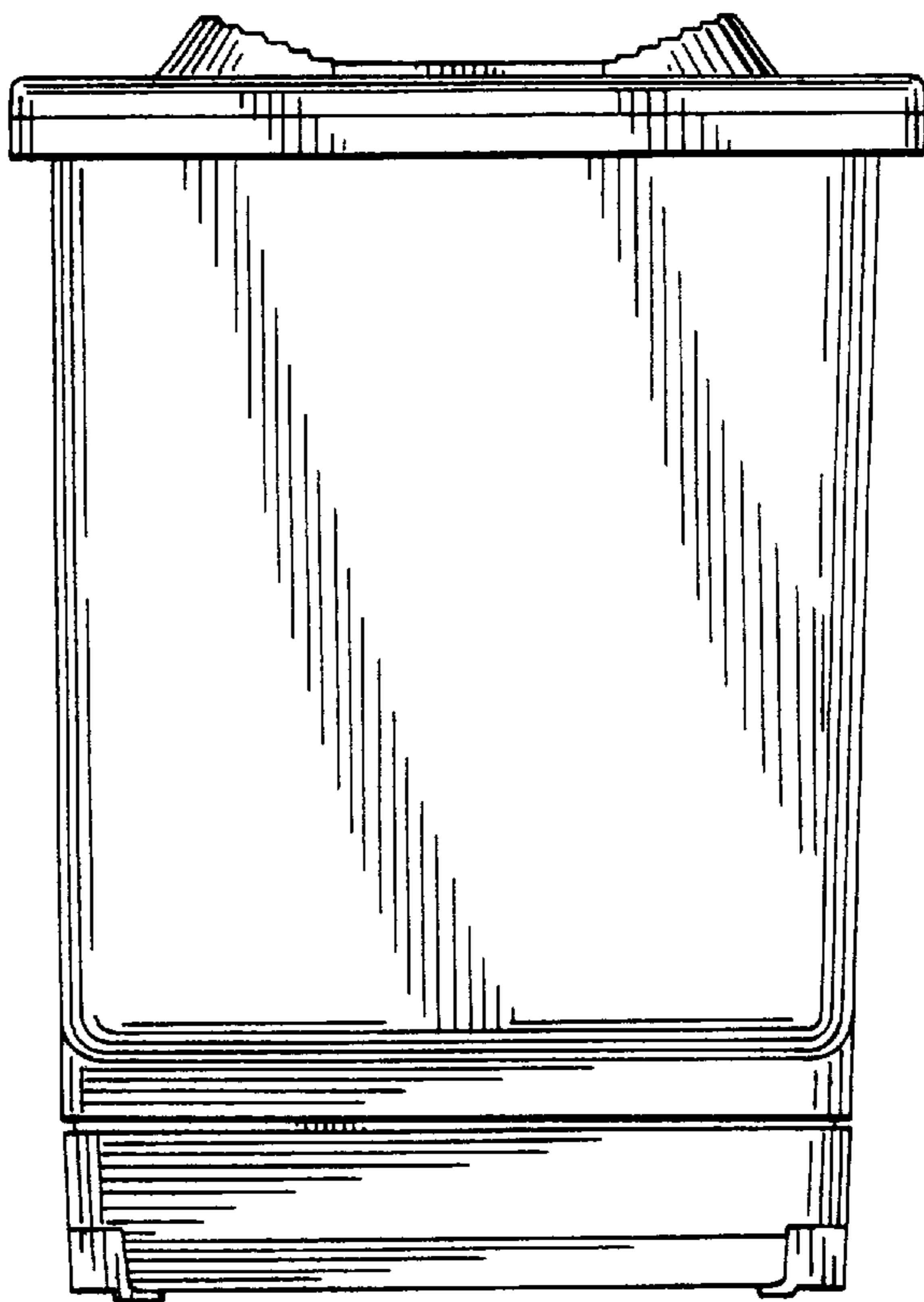
FIG. 4



*FIG. 5*



*FIG. 6*



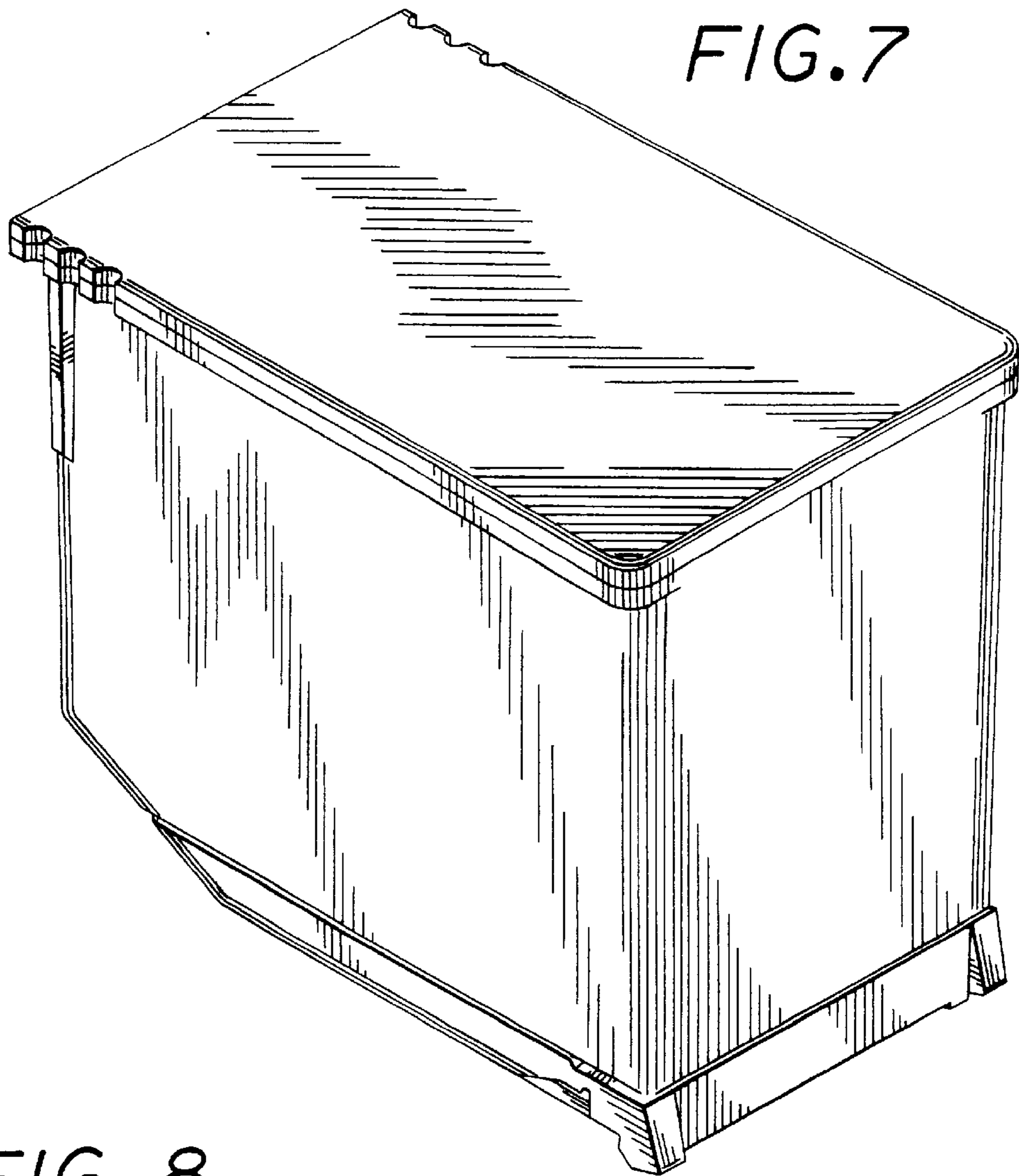


FIG. 8

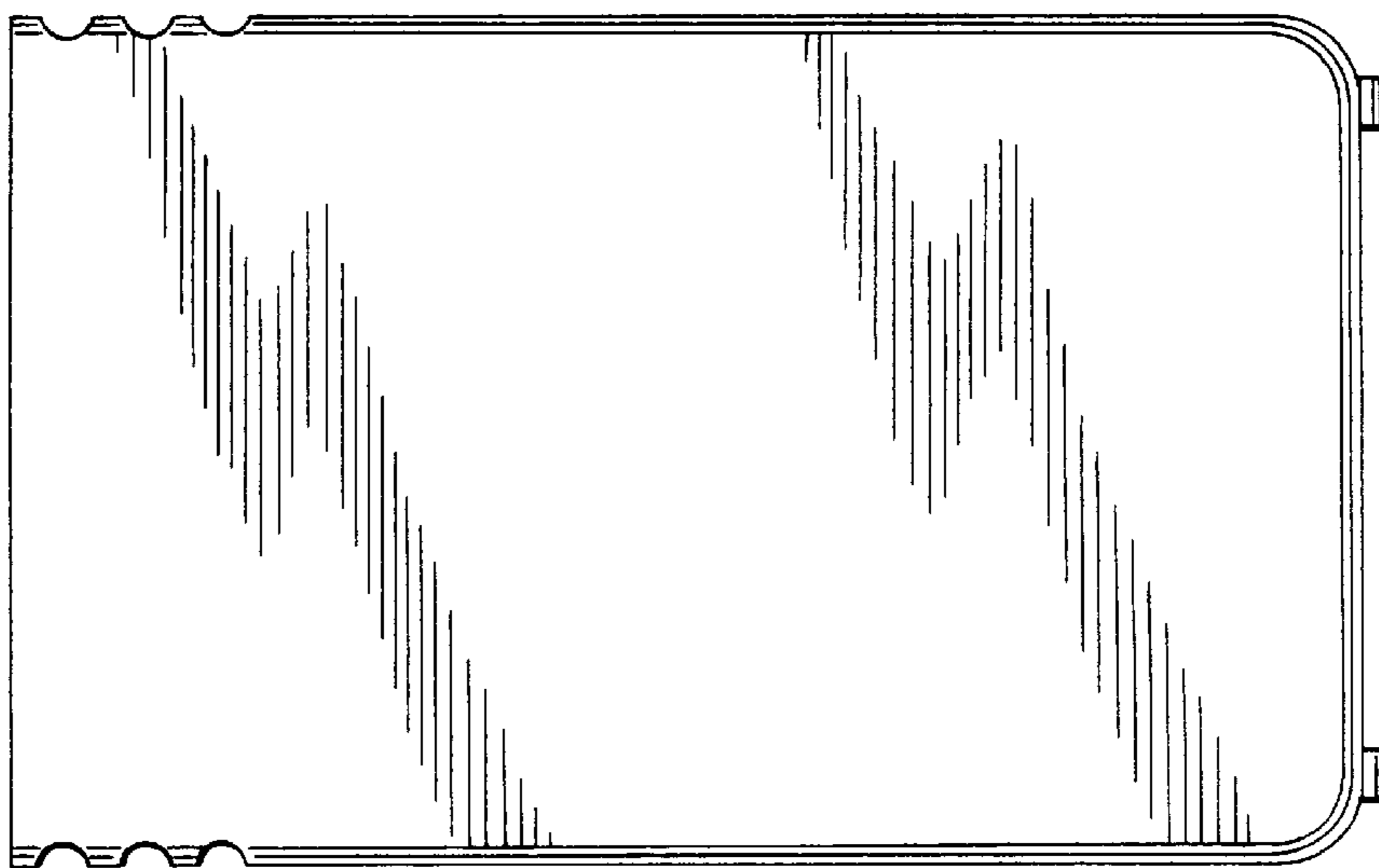


FIG. 9

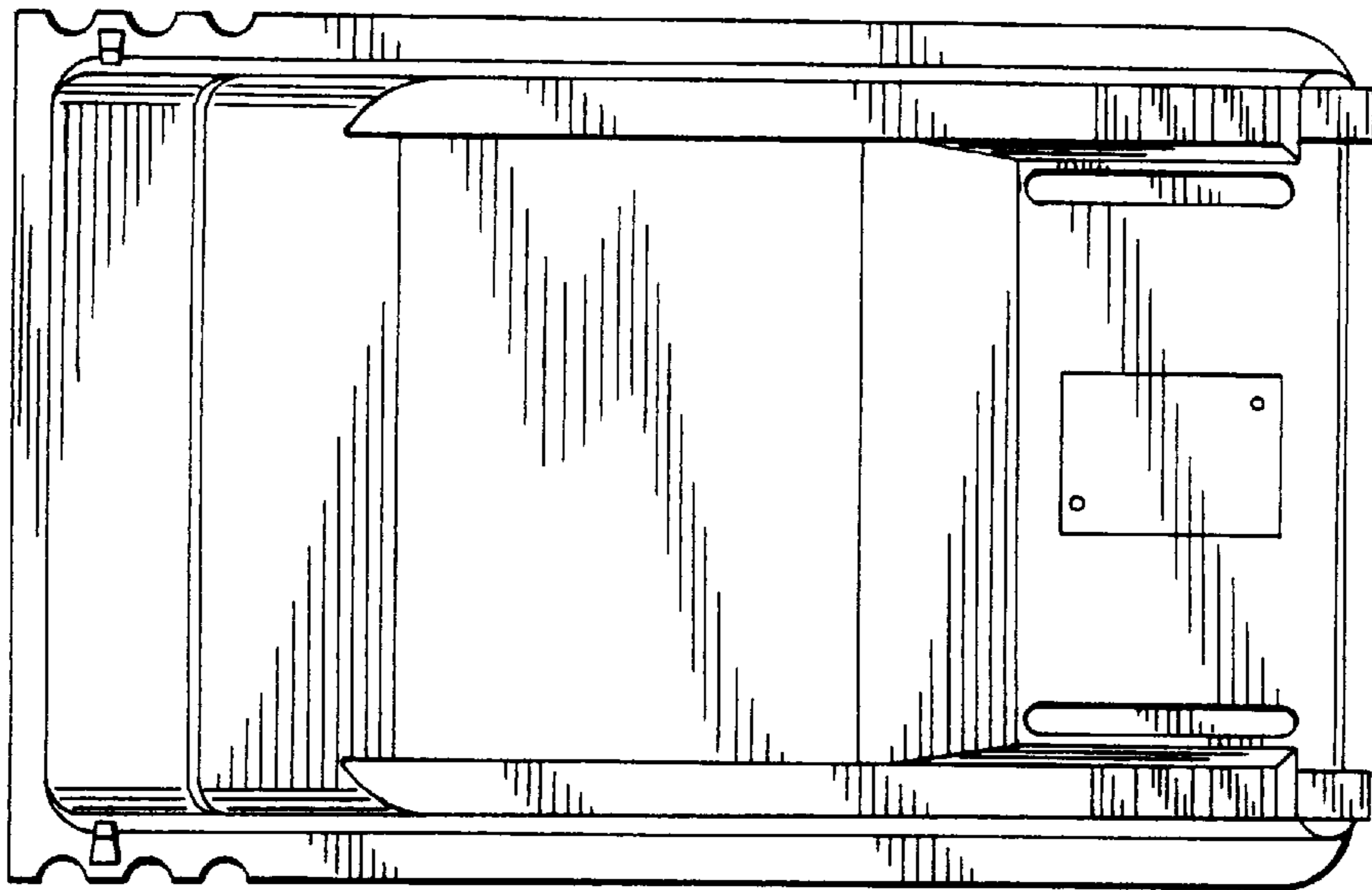
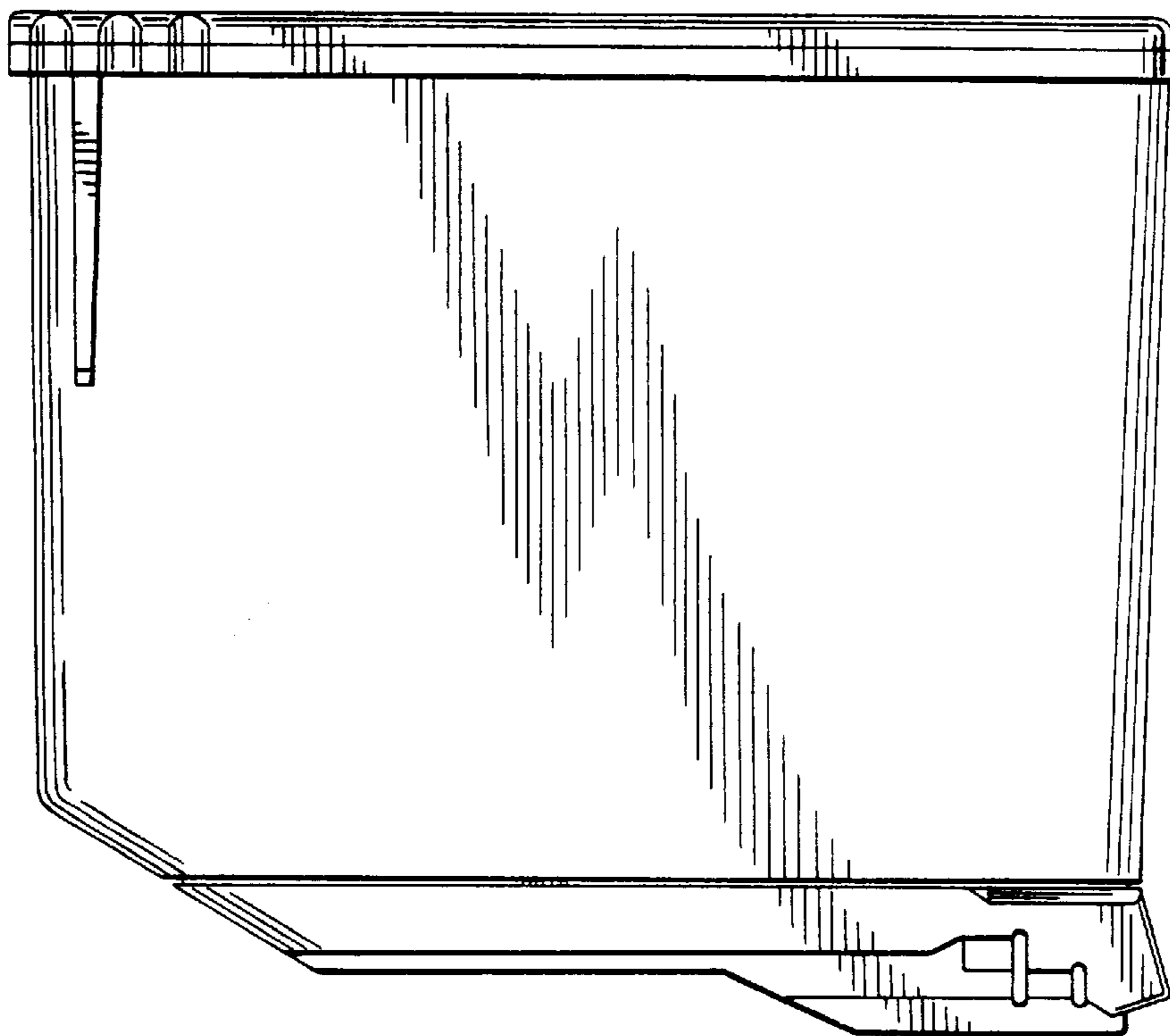
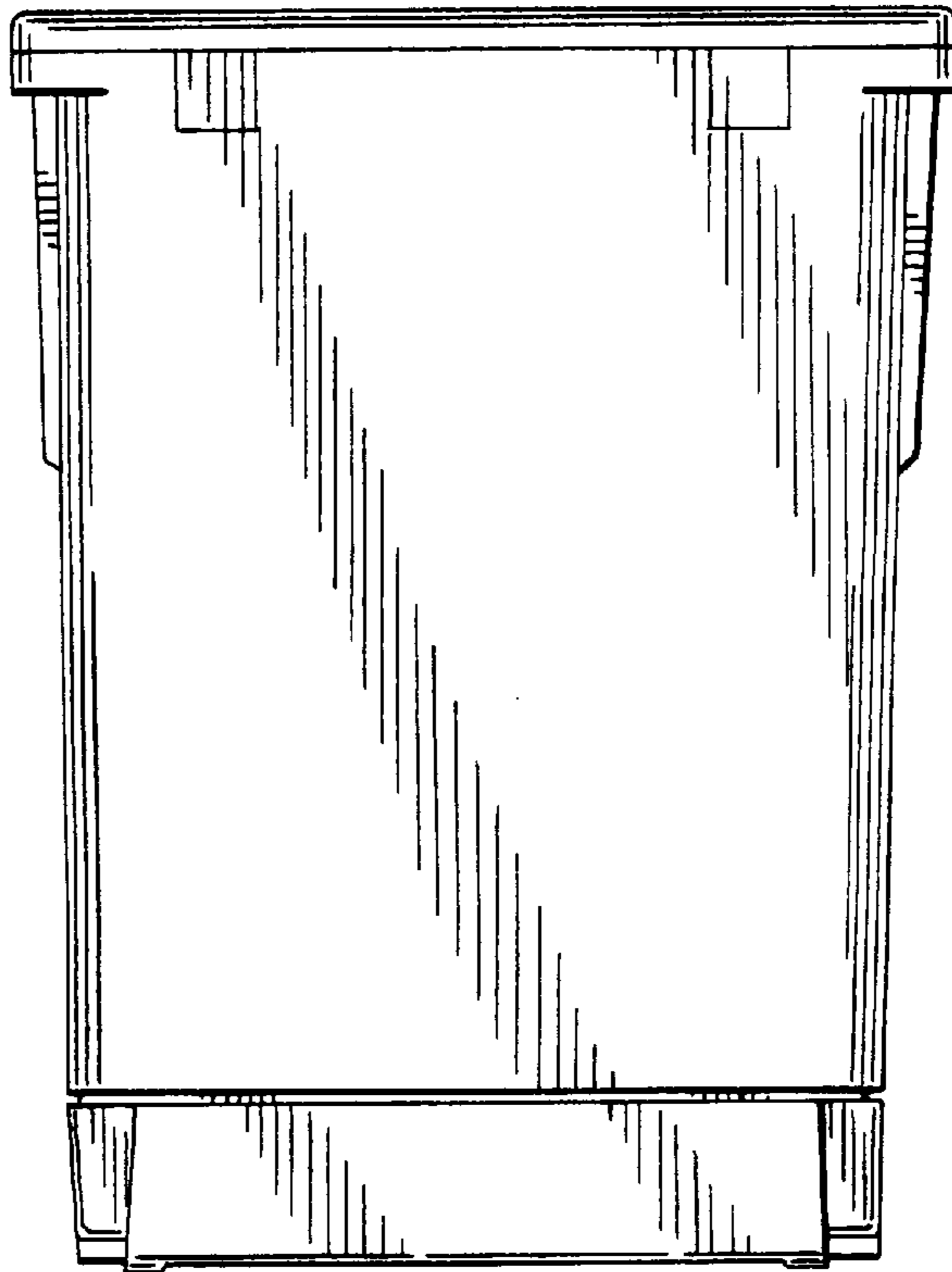


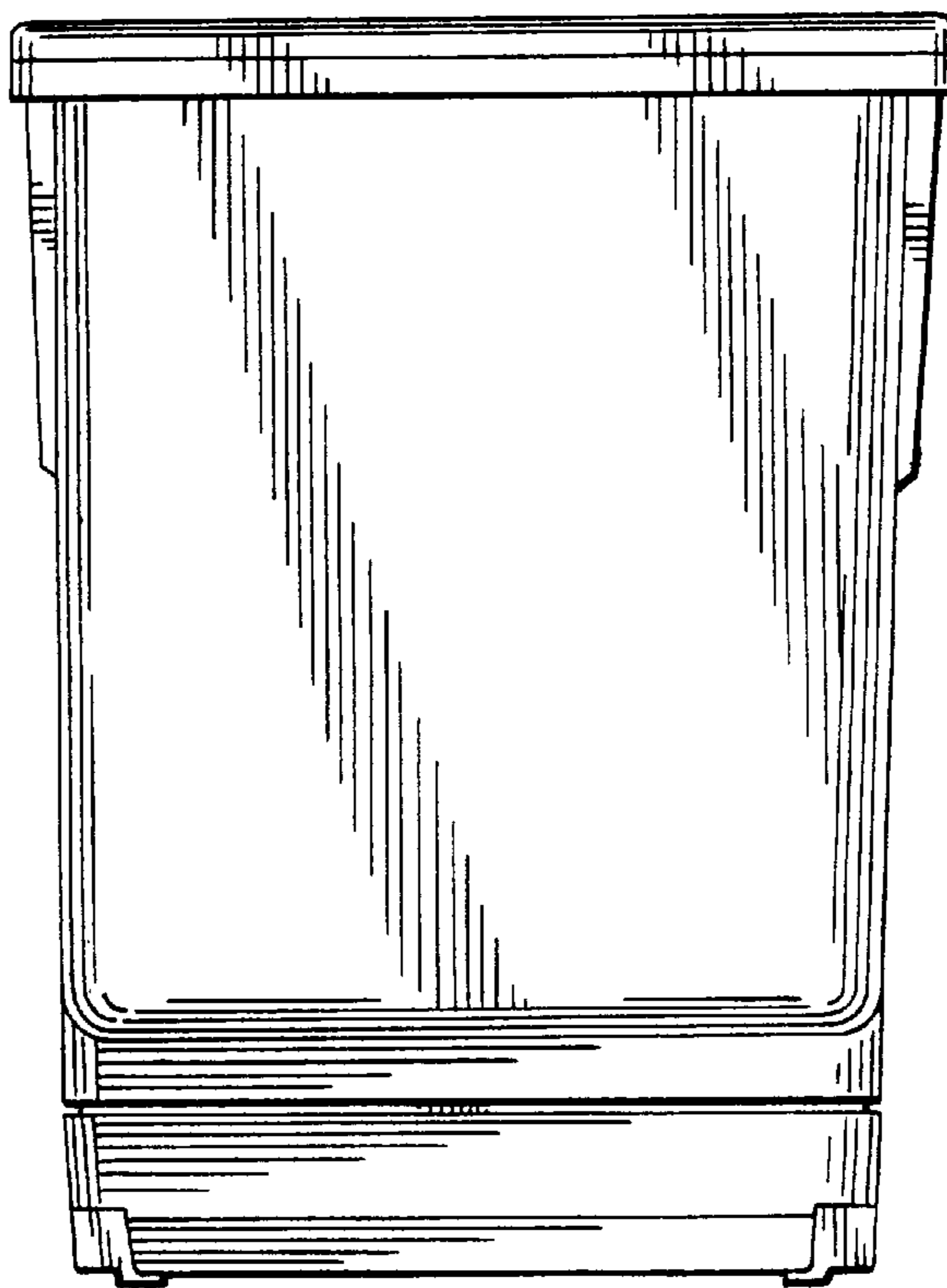
FIG. 10



*FIG. 11*



*FIG. 12*



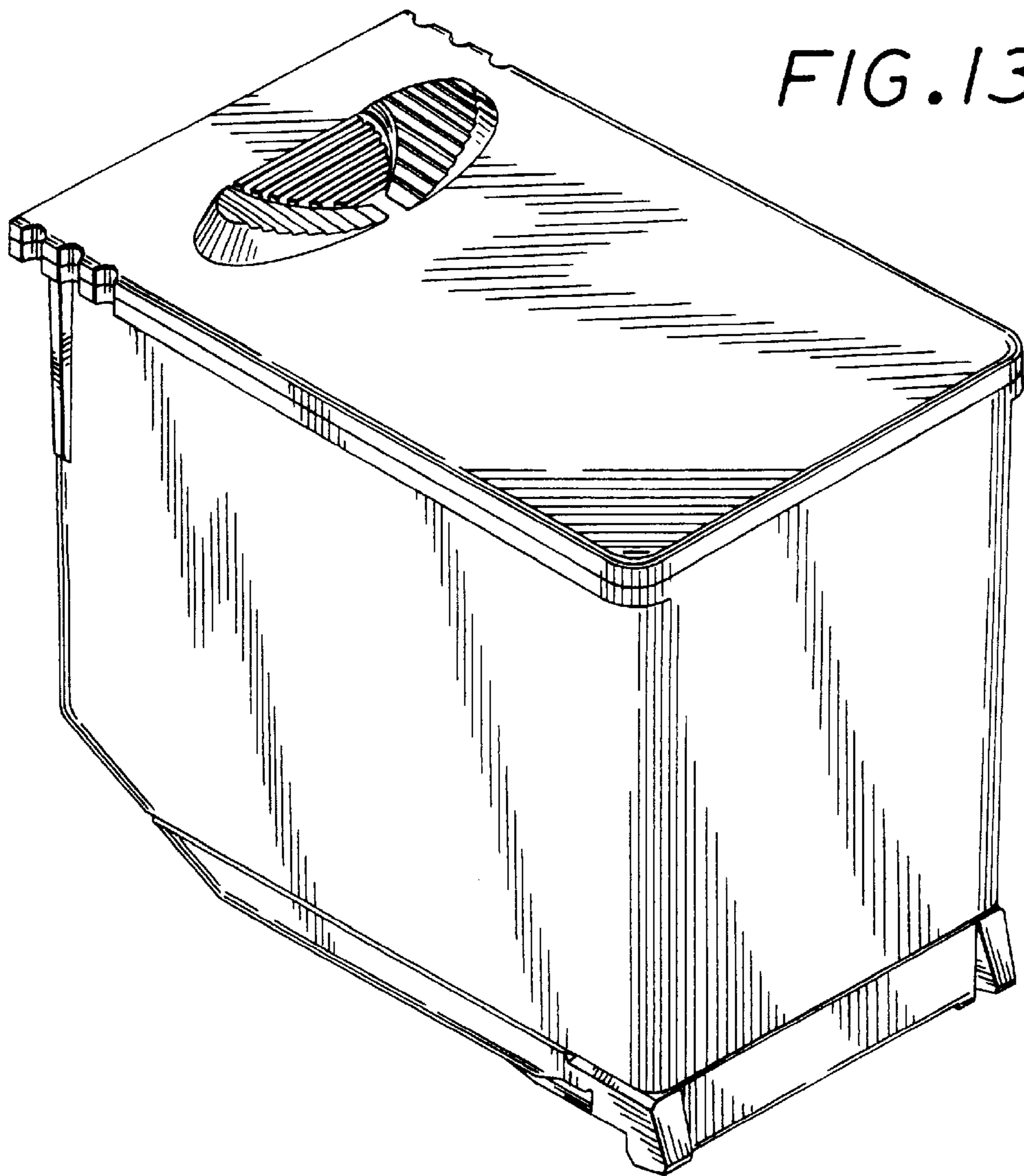
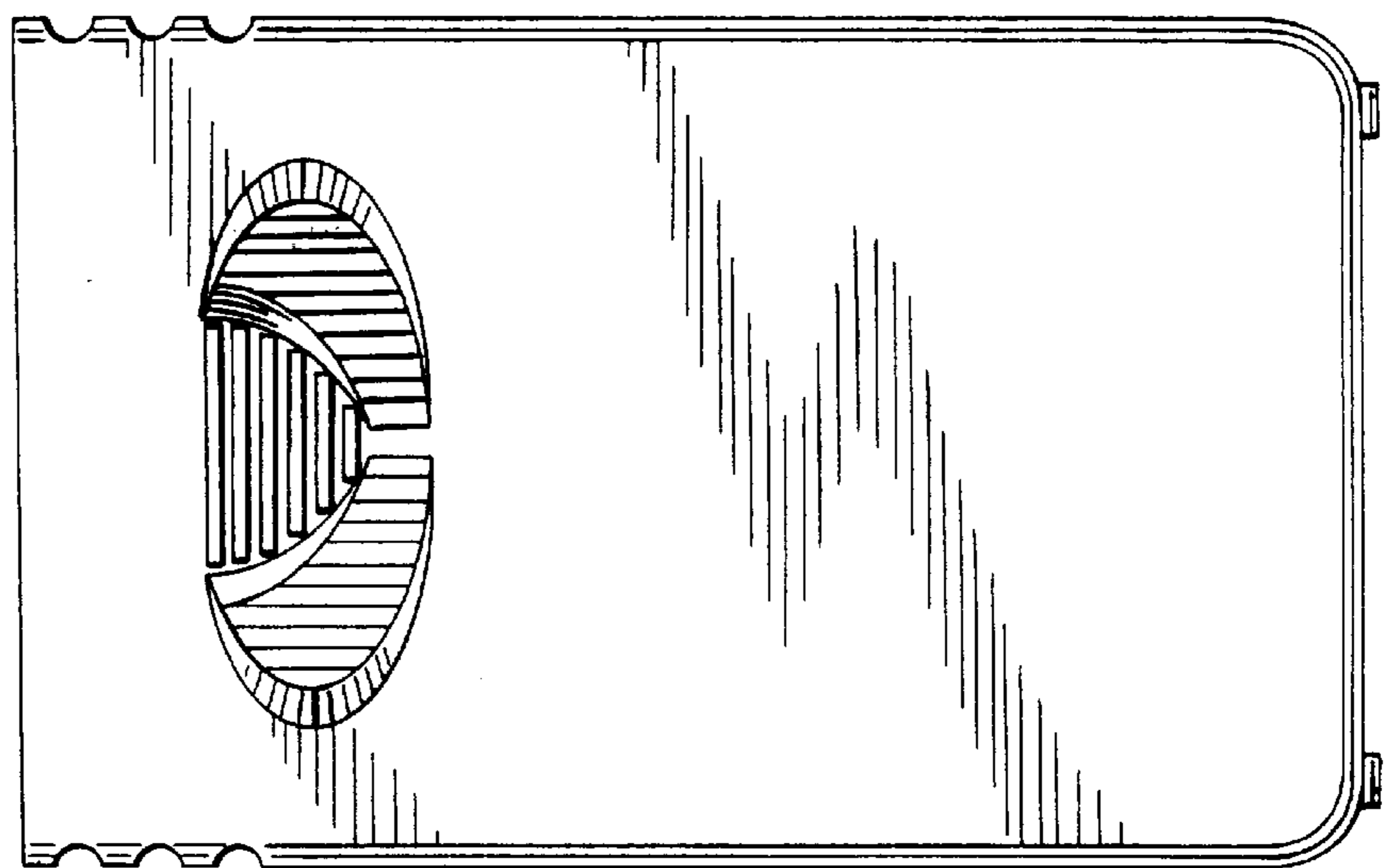


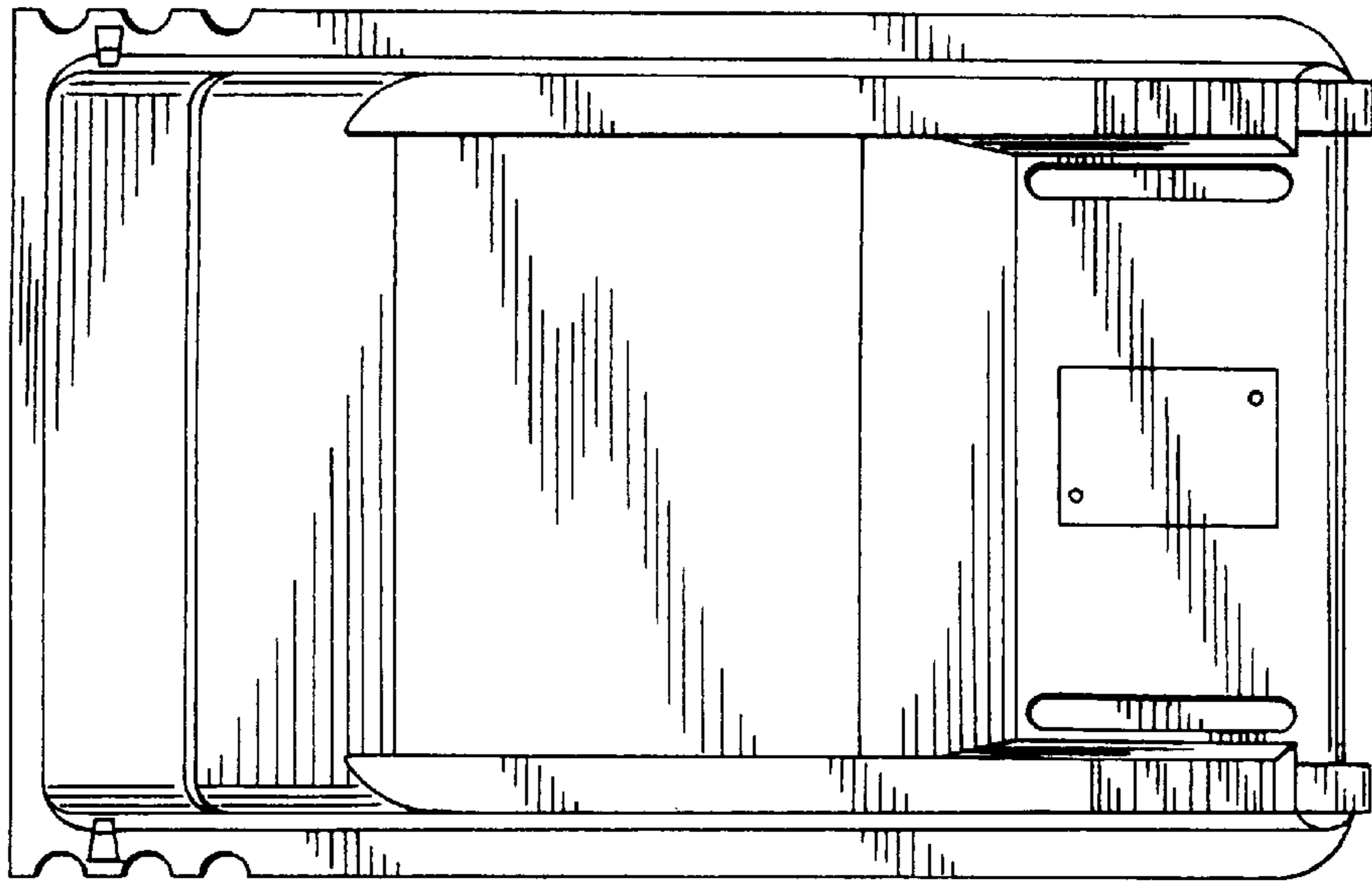
FIG. 13

FIG. 14

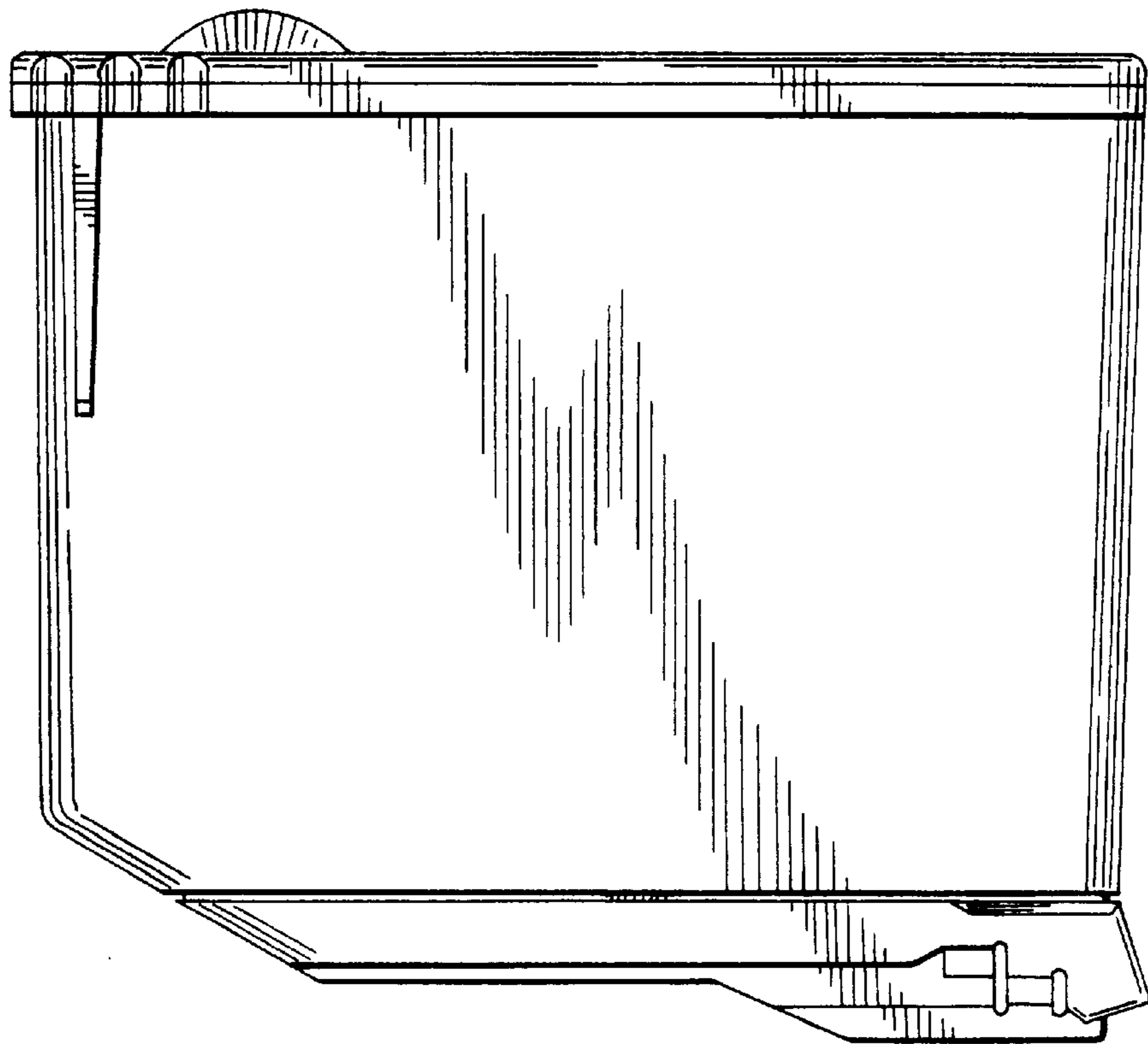




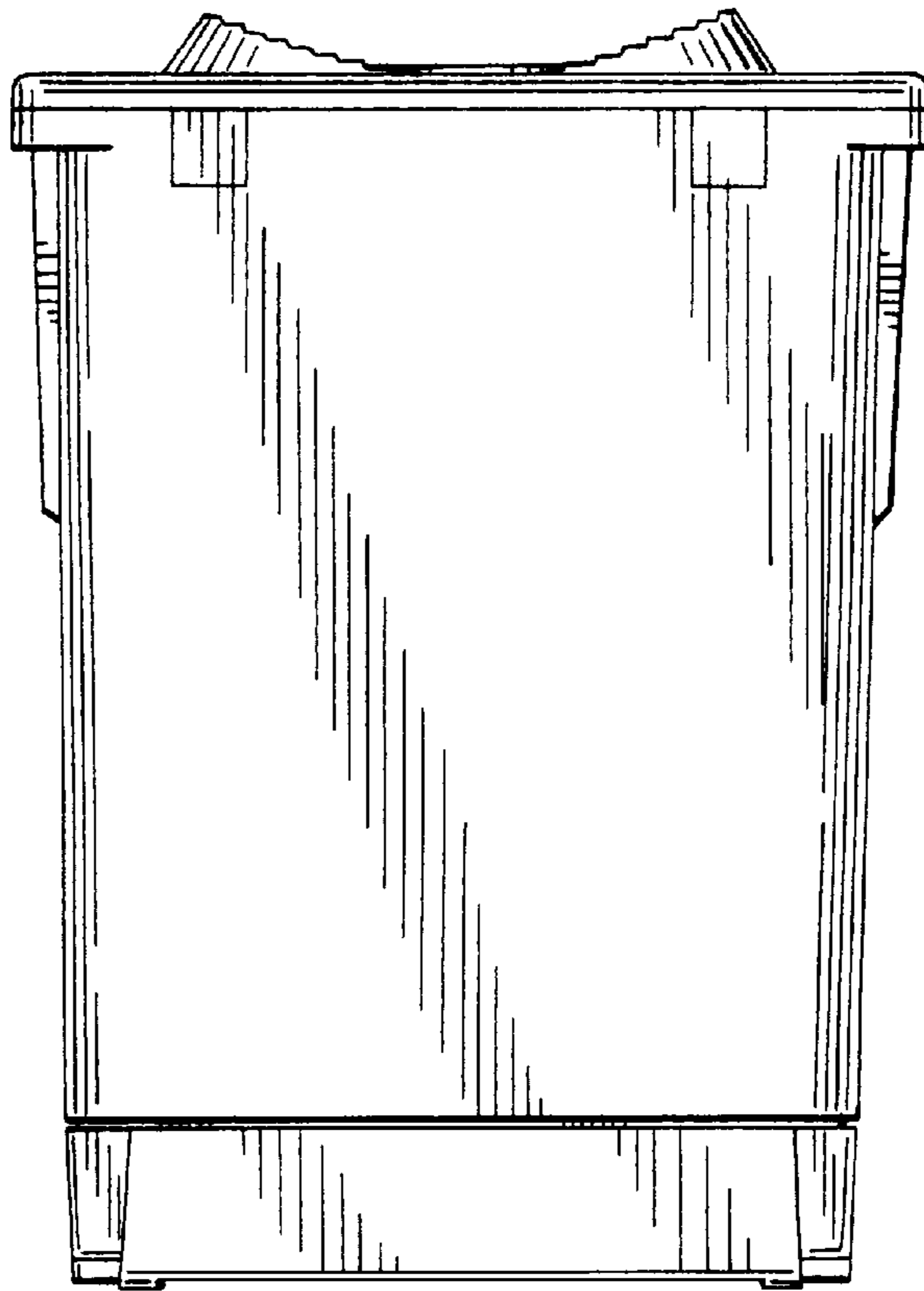
*FIG. 15*



*FIG. 16*



*FIG.17*



*FIG.18*

