



US00D439924S

(12) **United States Design Patent**
Brown

(10) **Patent No.:** **US D439,924 S**

(45) **Date of Patent:** **** Apr. 3, 2001**

(54) **FRAME FOR EYEGLASSES OR SUNGLASSES**

(76) **Inventor:** **Tony O. Brown**, 3075 NW. 97th St., Miami, FL (US) 33174

(**) **Term:** **14 Years**

(21) **Appl. No.:** **29/114,360**

(22) **Filed:** **Nov. 22, 1999**

Related U.S. Application Data

(63) Continuation of application No. 29/096,301, filed on Nov. 9, 1998, now Pat. No. Des. 416,932.

(51) **LOC (7) Cl.** **16-06**

(52) **U.S. Cl.** **D16/306; D16/320**

(58) **Field of Search** D16/101, 300-330, D16/335, 900; D29/109, 110; 351/41, 44, 51, 52, 57-59, 158

(56) **References Cited**

U.S. PATENT DOCUMENTS

D. 191,887 * 12/1961 Braunhut D16/306

D. 227,405 * 6/1973 Shindler D16/320
D. 398,323 * 9/1998 Bolle D16/320
D. 416,932 * 11/1999 Brown D16/306
1,681,735 * 8/1928 King D16/320
1,967,434 * 7/1934 Simonds D16/320

* cited by examiner

Primary Examiner—Raphael Barkai

(74) *Attorney, Agent, or Firm*—Malloy & Malloy, P.A.

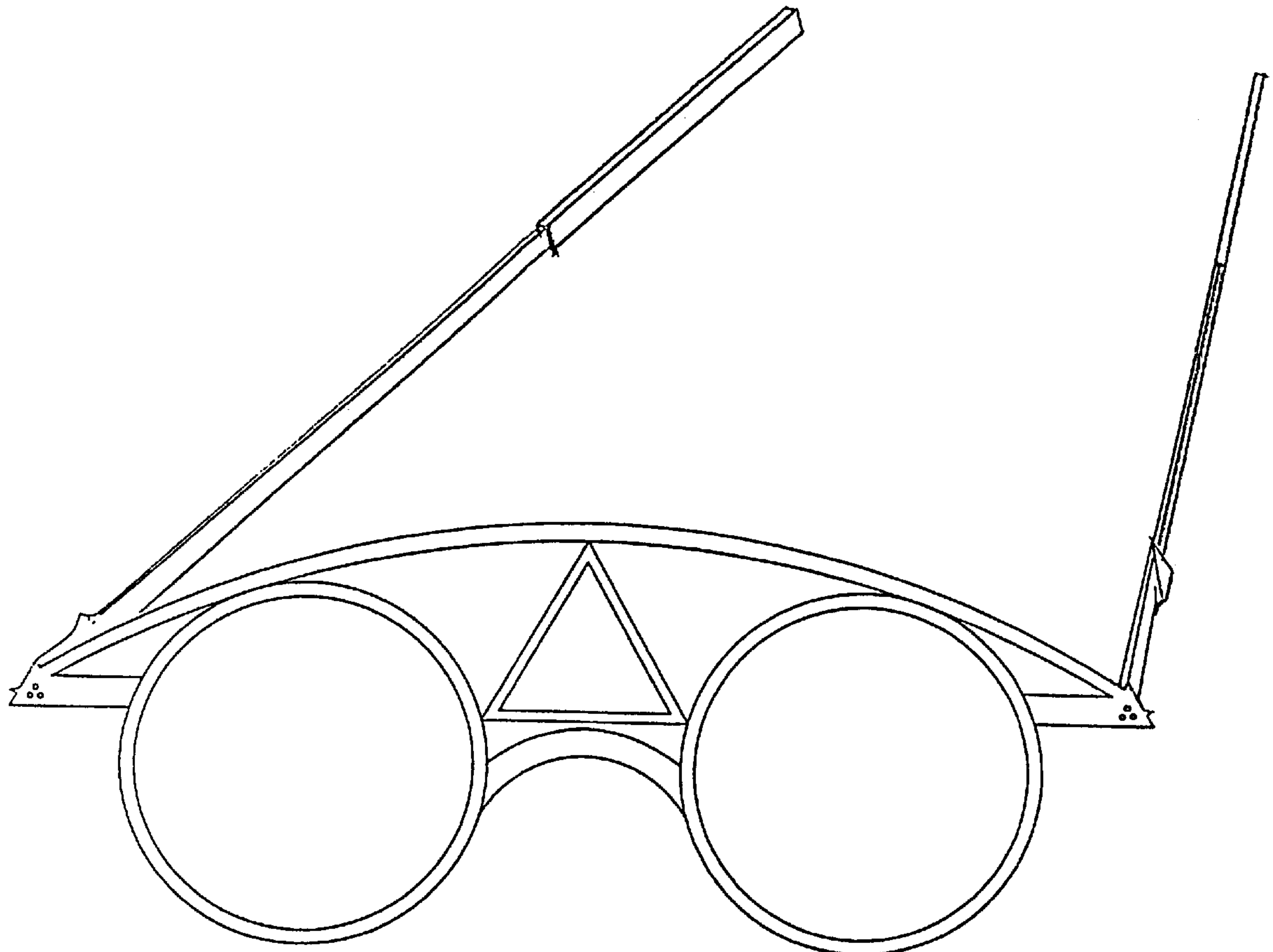
(57) **CLAIM**

The ornamental design for a frame for eyeglasses or sunglasses, as shown and described.

DESCRIPTION

FIG. 1 is a front perspective view illustrating my design for a frame for eyeglasses or sunglasses; FIG. 2 is a front view of my design; FIG. 3 is a rear view of my design; FIG. 4 is a left side view of my design; FIG. 5 is a right side view of my design; FIG. 6 is a top view of my design; and, FIG. 7 is a bottom view of my design.

1 Claim, 4 Drawing Sheets



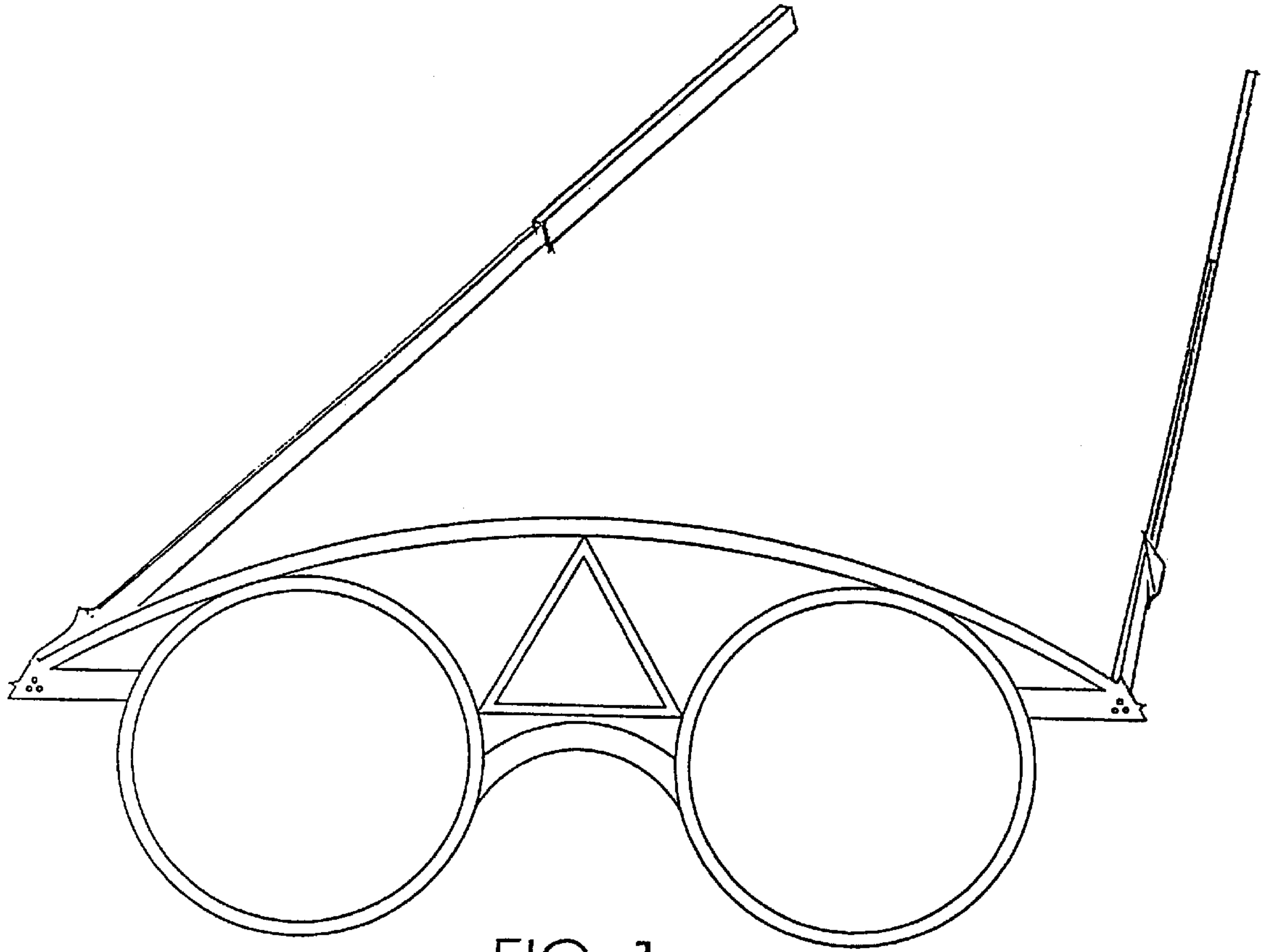


FIG. 1

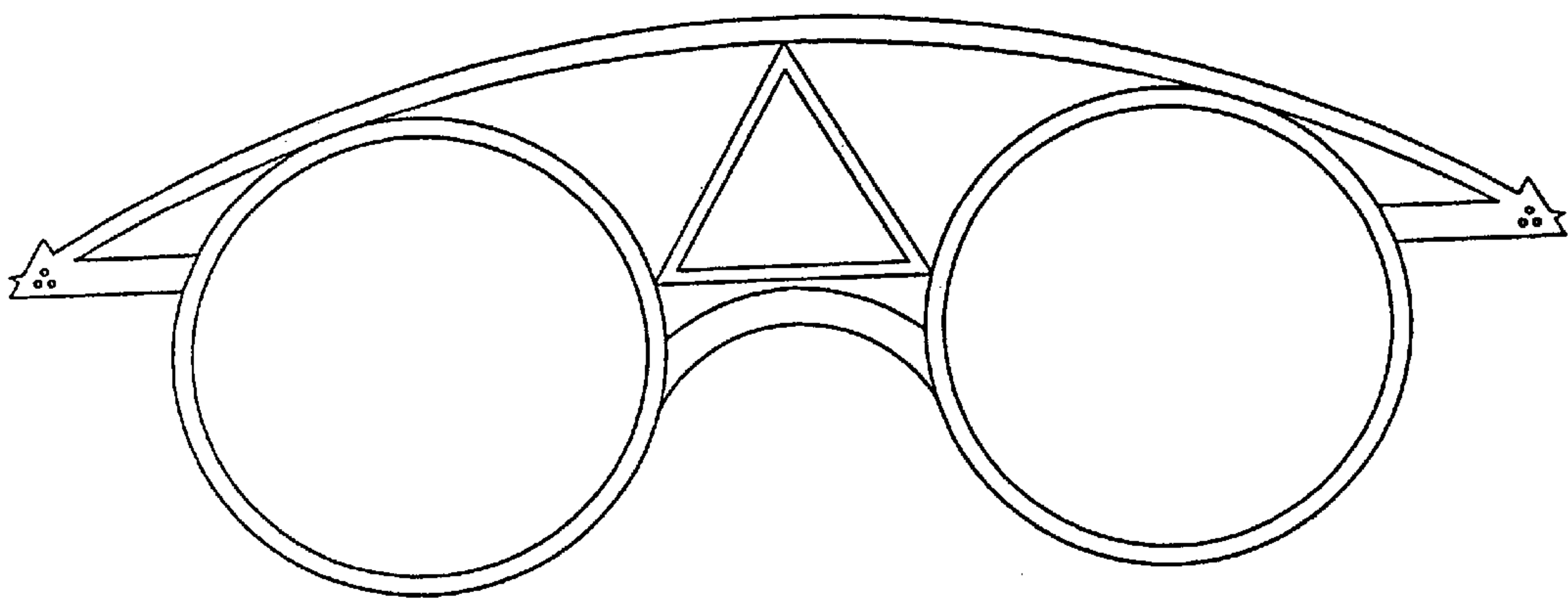


FIG. 2

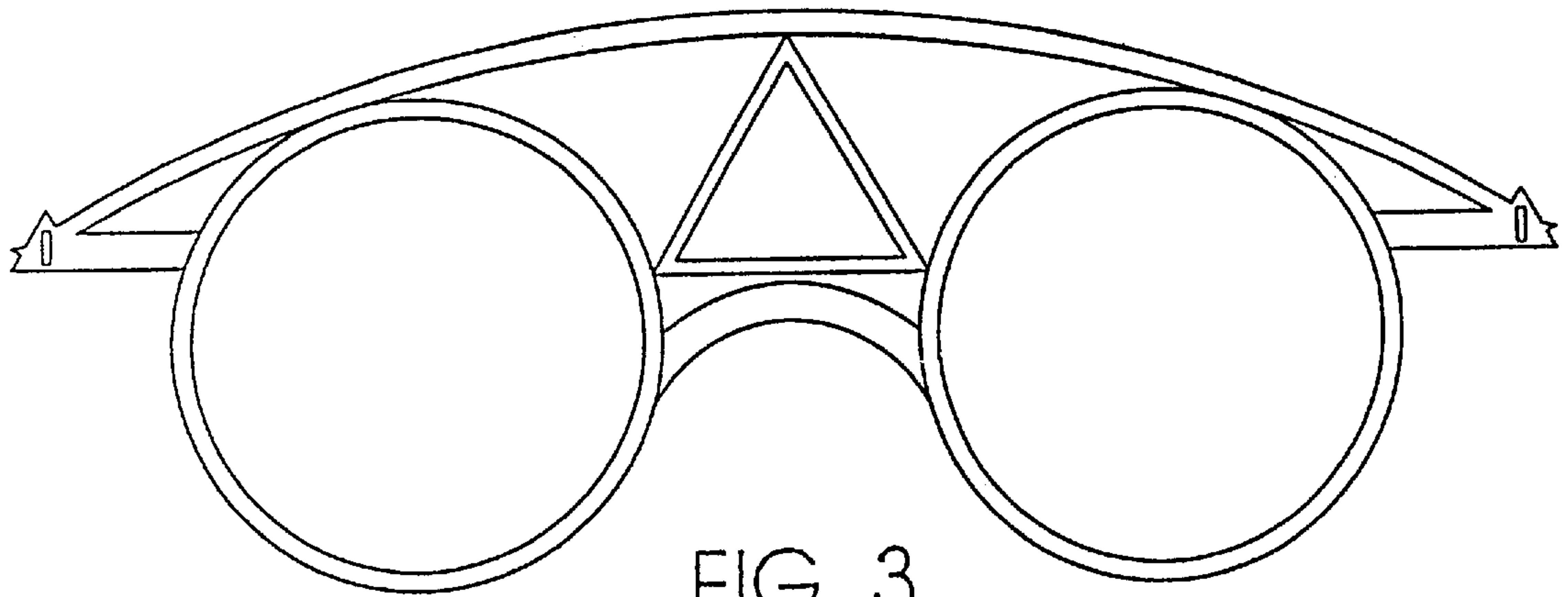


FIG. 3

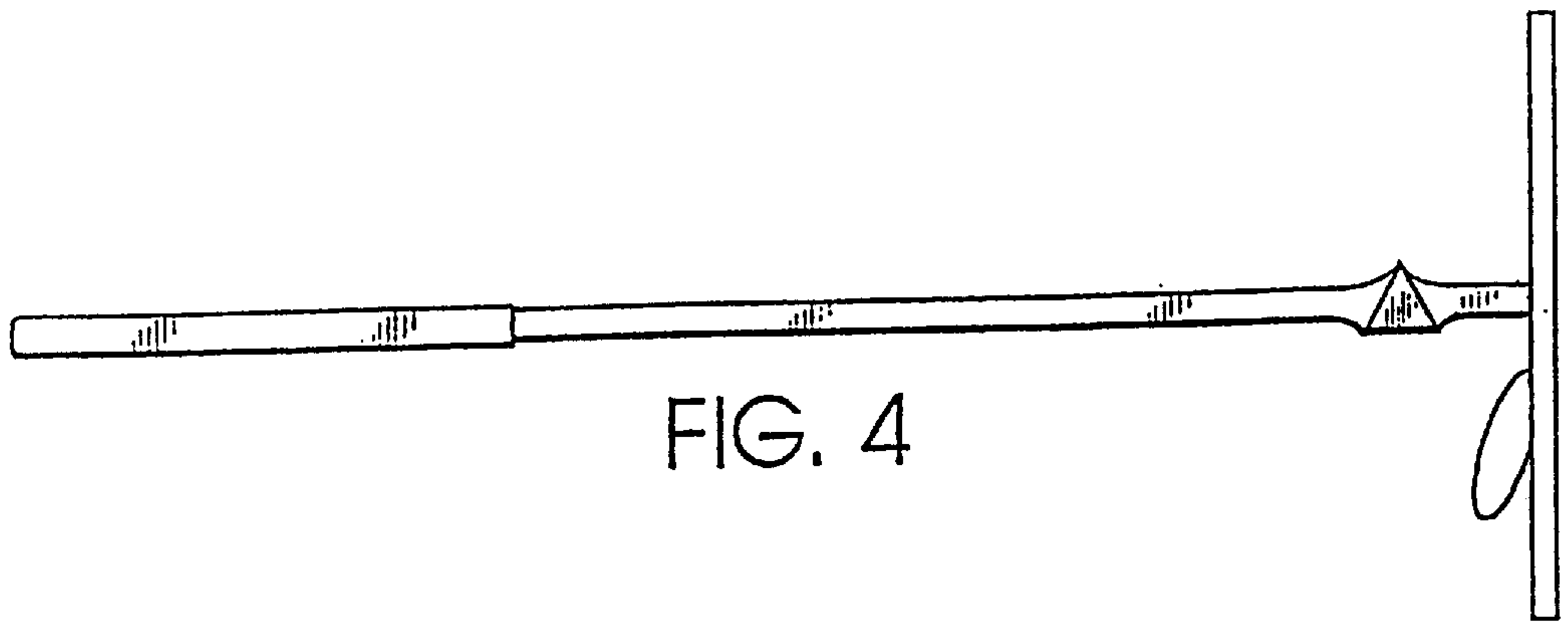


FIG. 4

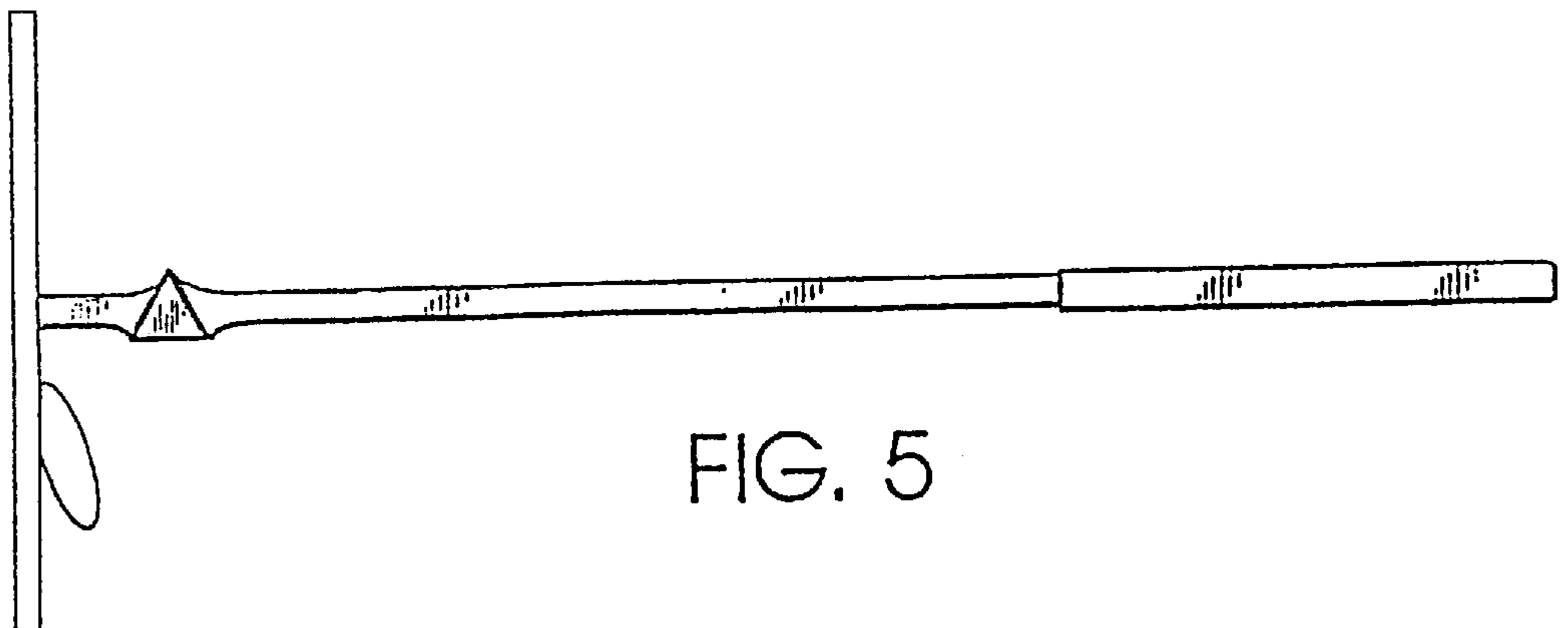


FIG. 5

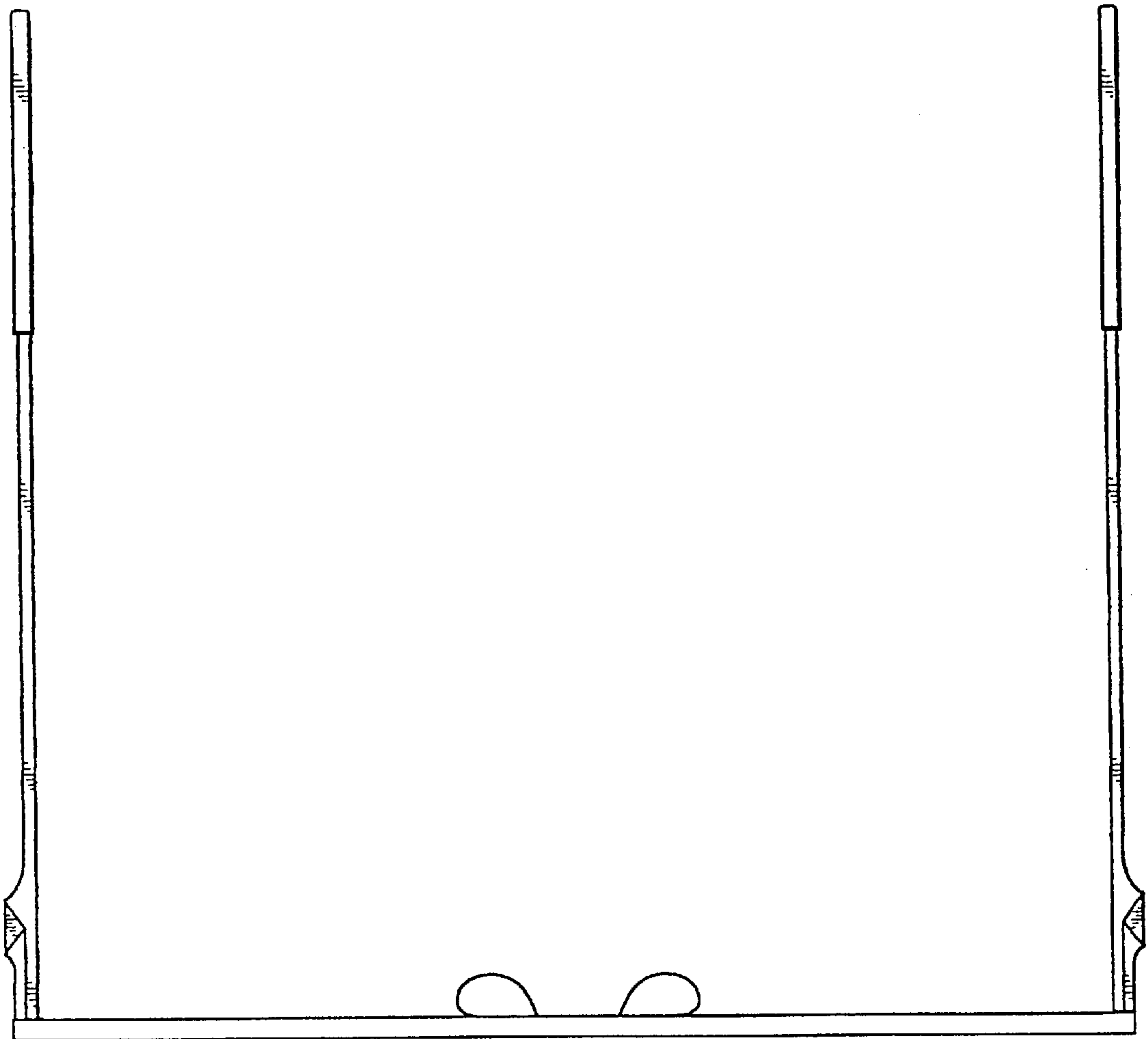


FIG. 6

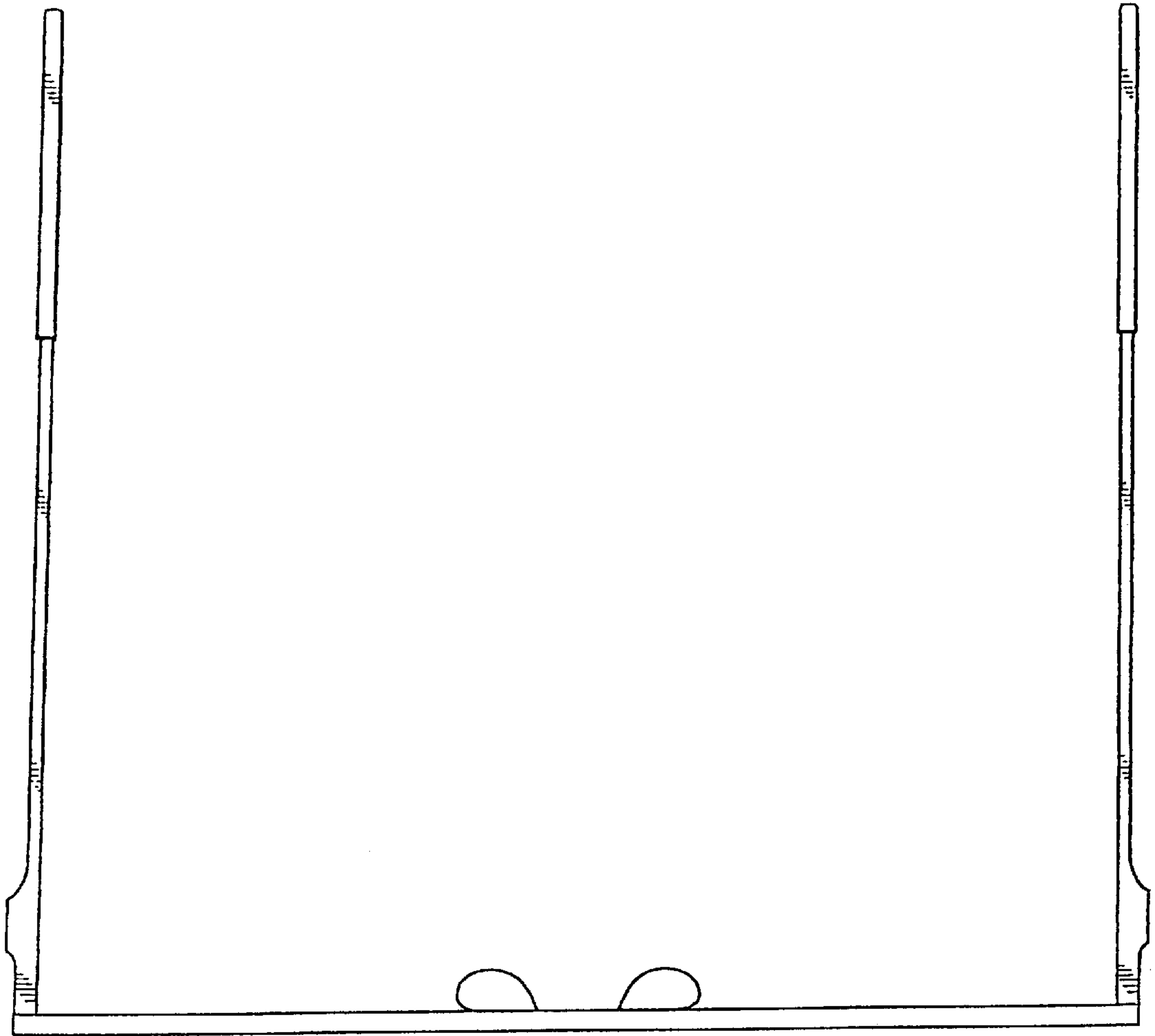


FIG. 7