



US00D439921S

(12) **United States Design Patent**
Brickus et al.

(10) **Patent No.:** **US D439,921 S**

(45) **Date of Patent:** **** Apr. 3, 2001**

(54) **ERECT FOLDING PHOTOGRAPHIC CAMERA**

(75) **Inventors:** **Jonas Brickus**, Boston; **Jose Perez**, Cambridge; **Gerd Schmieta**, Boston, all of MA (US)

(73) **Assignee:** **Polaroid Corporation**, Cambridge, MA (US)

(**) **Term:** **14 Years**

(21) **Appl. No.:** **29/117,974**

(22) **Filed:** **Jan. 31, 2000**

(51) **LOC (7) Cl.** **16-01**

(52) **U.S. Cl.** **D16/211**

(58) **Field of Search** D16/200-204,
D16/208, 209, 211, 212, 217, 218; 396/176-178,
348-350, 535-541

(56) **References Cited**

U.S. PATENT DOCUMENTS

D. 389,165 * 1/1998 Betts et al. D16/211

D. 399,518 * 10/1998 Pankhurst D16/211
D. 400,551 * 11/1998 Pankhurst D16/211
4,688,913 * 8/1987 Whiteside et al. 396/177
4,812,864 * 3/1989 Baker 396/348

* cited by examiner

Primary Examiner—Adir Aronovich

(74) *Attorney, Agent, or Firm*—Leslie Payne

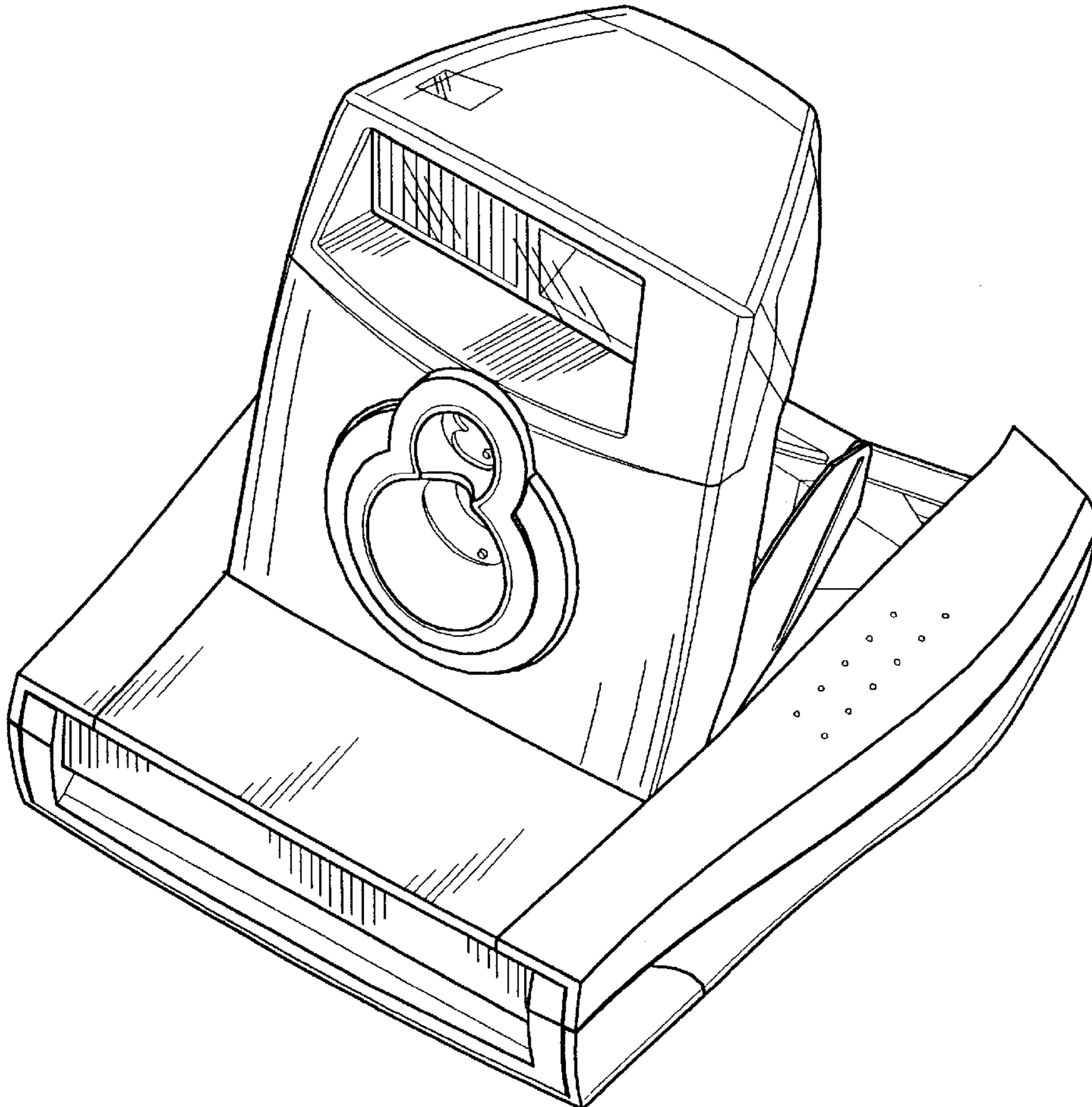
(57) **CLAIM**

The ornamental design for an erect folding photographic camera, as described and shown.

DESCRIPTION

FIG. 1 is a front perspective view of a erect folding photographic camera showing our design; FIG. 2 is a front elevation view thereof; FIG. 3 is a top plan view thereof; FIG. 4 is a left side elevation view thereof; FIG. 5 is a right side elevation view thereof; FIG. 6 is a rear elevation view thereof; and, FIG. 7 is a bottom elevation view thereof.

1 Claim, 4 Drawing Sheets



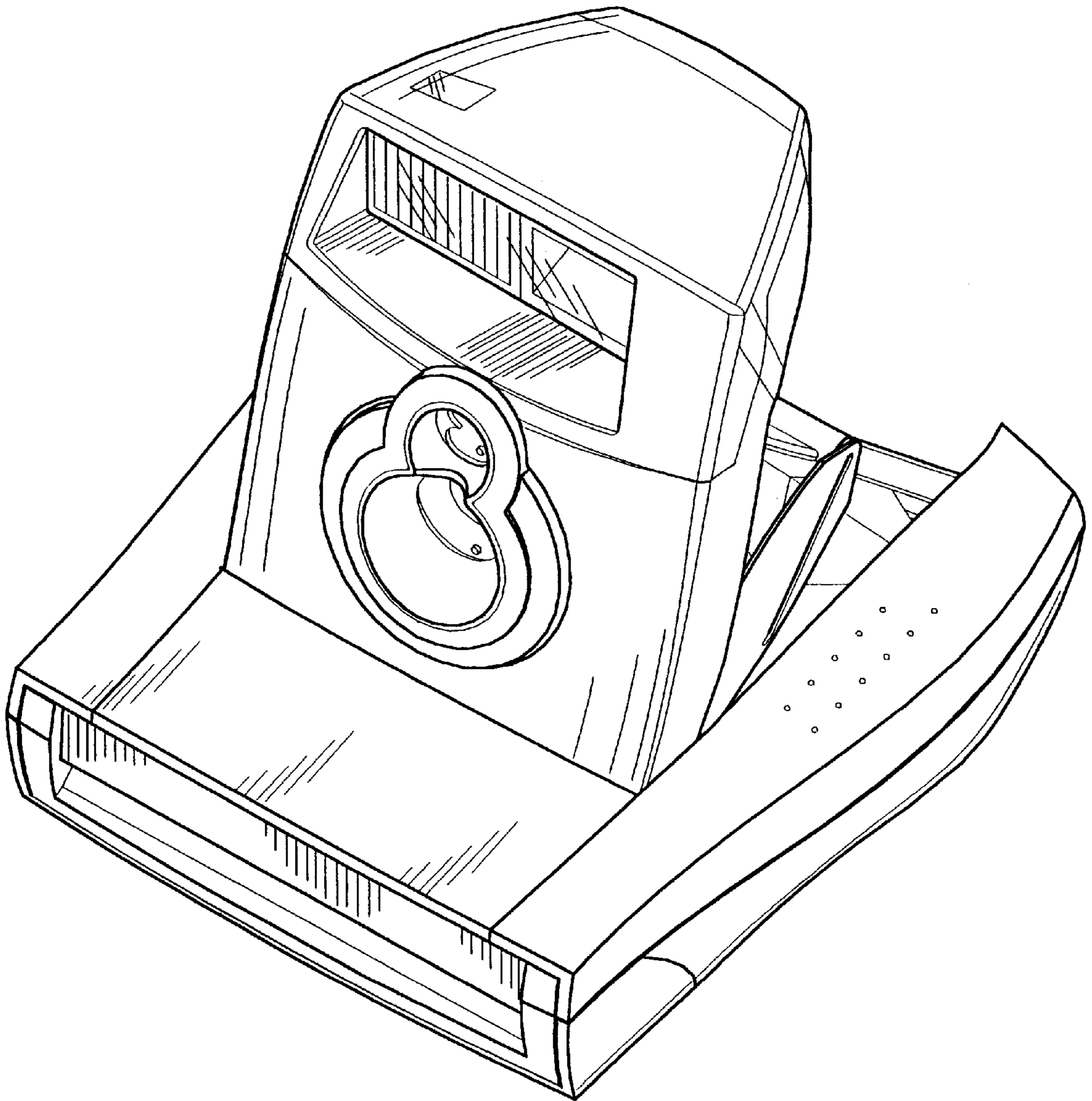


FIG. 1

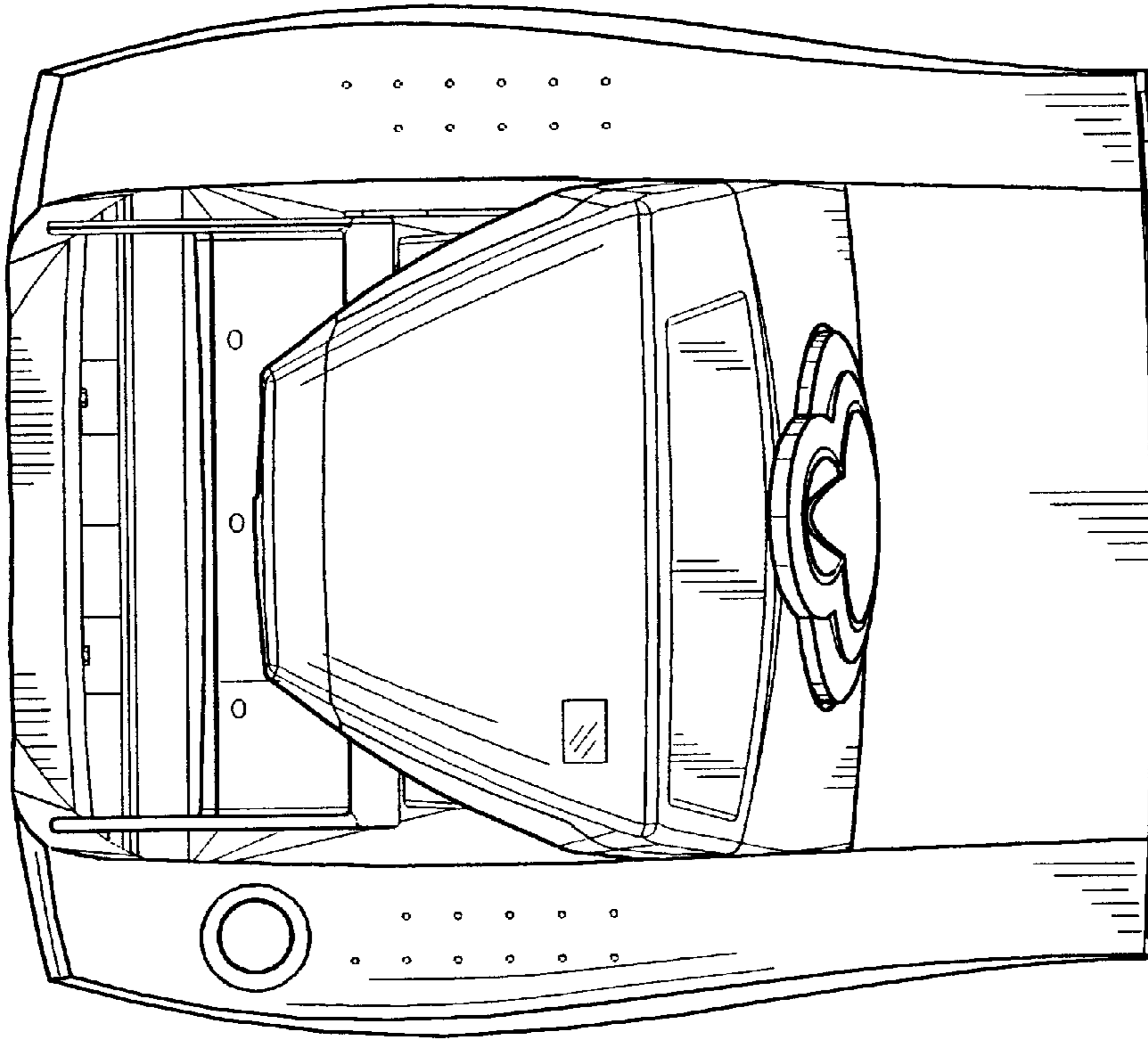


FIG. 3

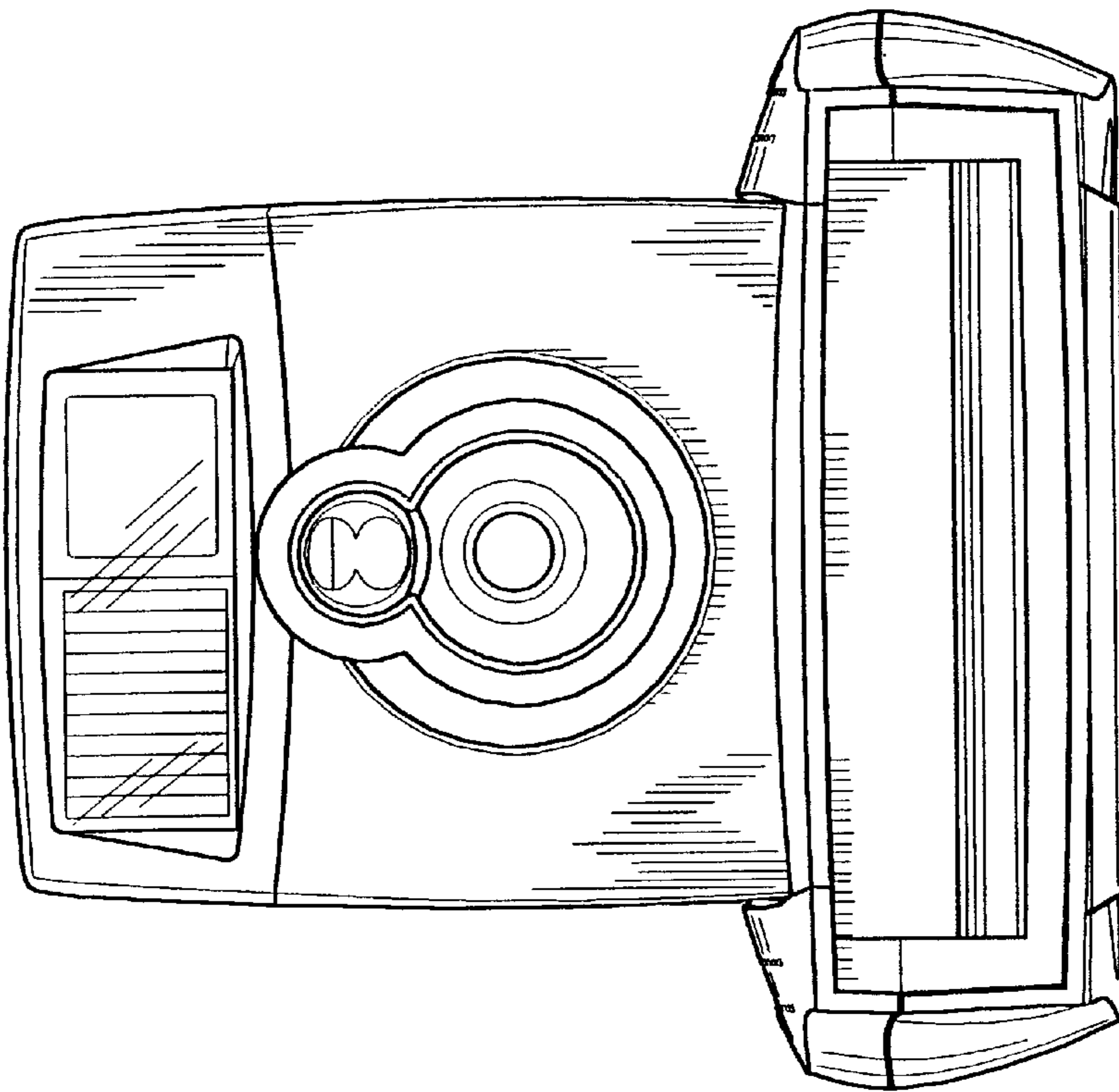


FIG. 2

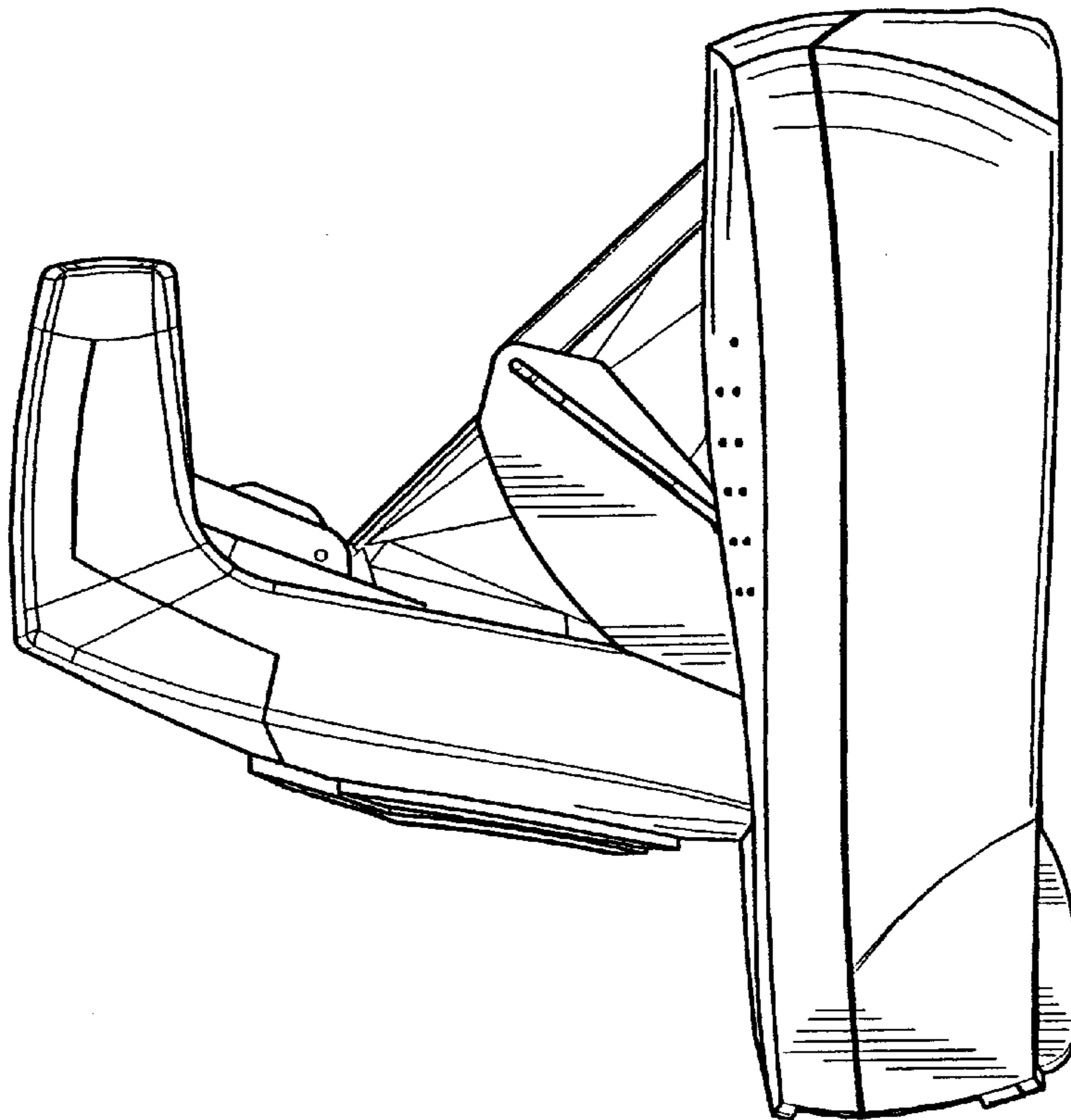


FIG. 5

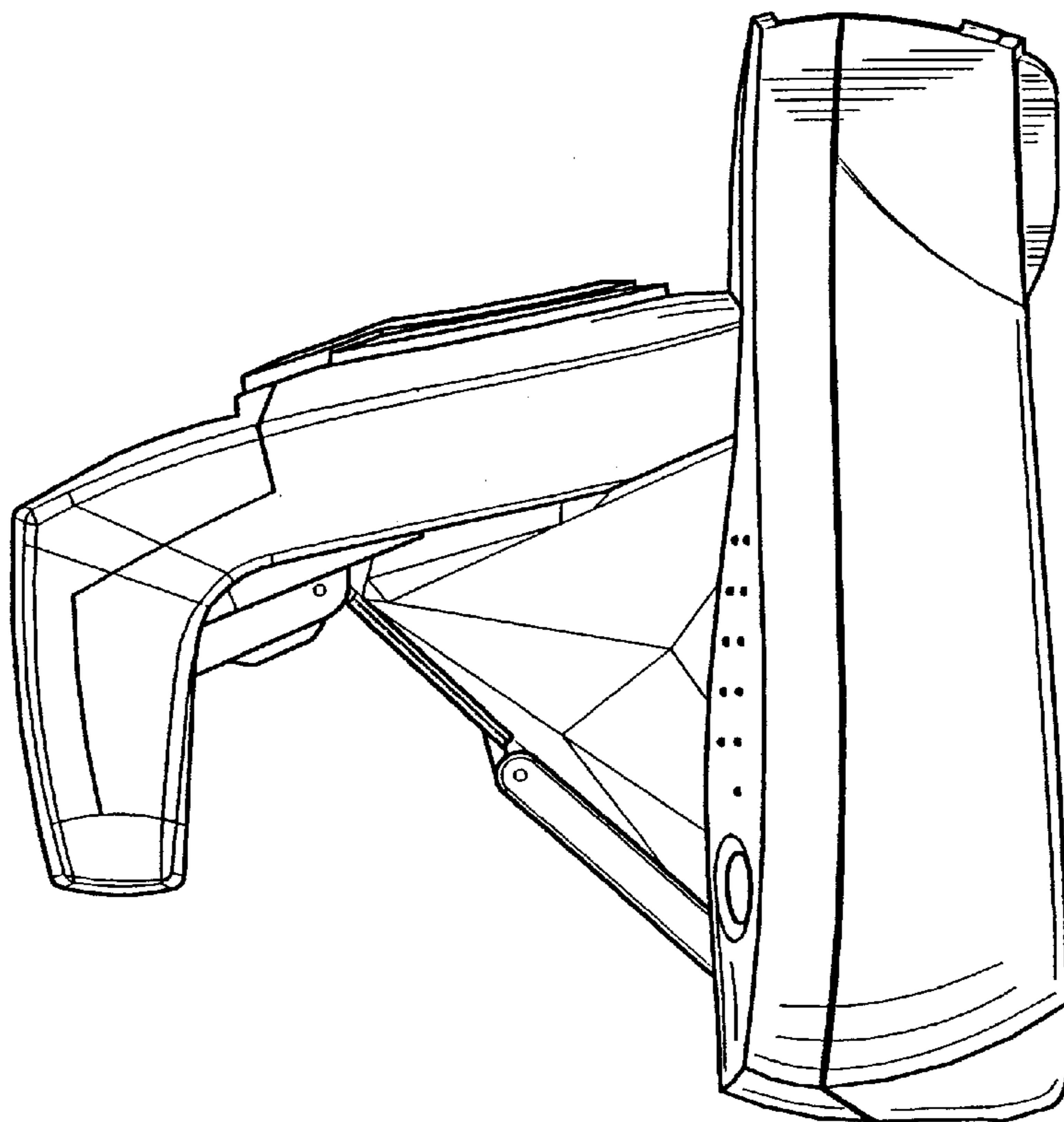


FIG. 4

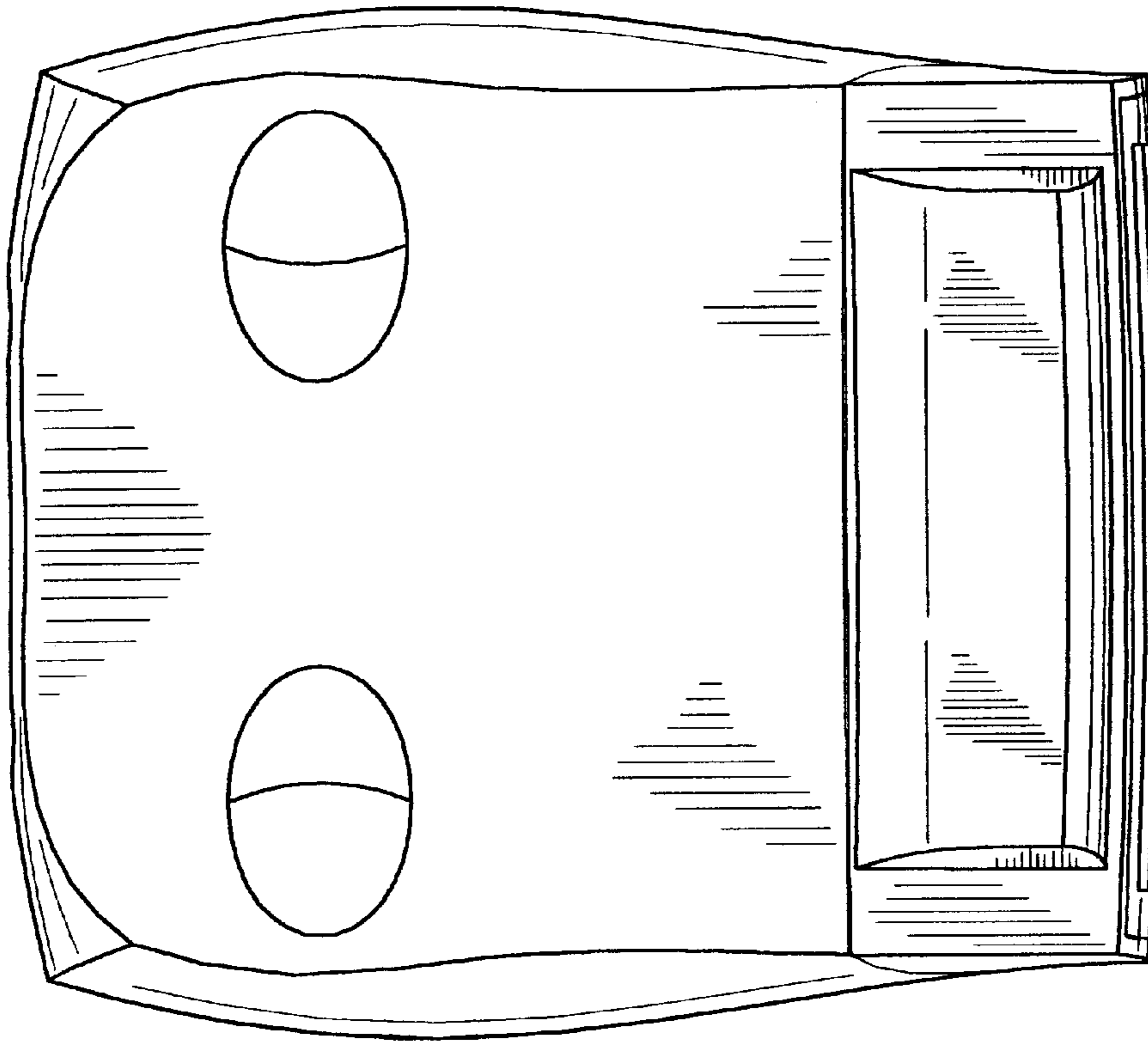


FIG. 7

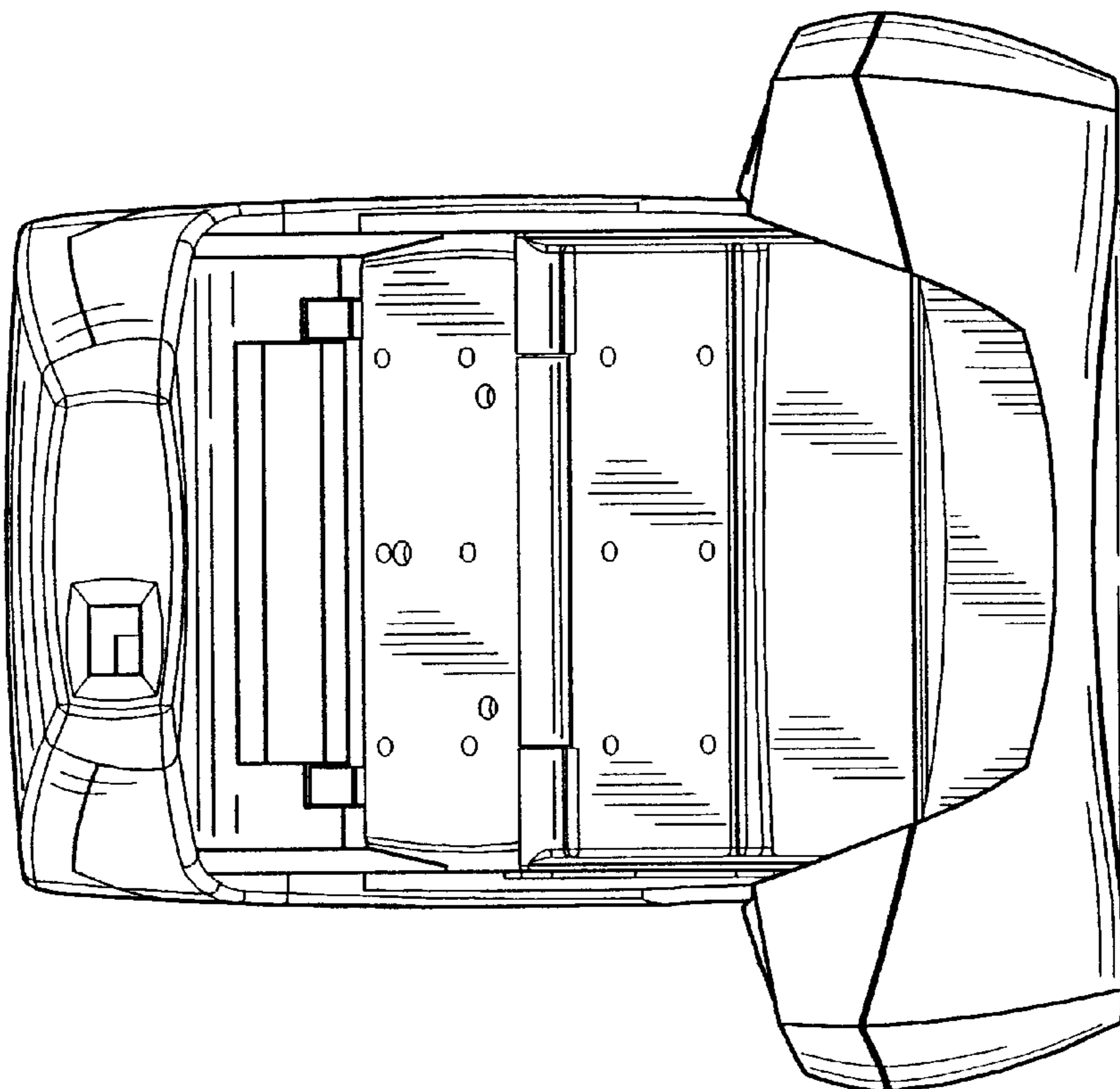


FIG. 6