



US00D439919S

(12) **United States Design Patent** (10) **Patent No.:** **US D439,919 S**
Sumita (45) **Date of Patent:** **** Apr. 3, 2001**

(54) **VIDEO CAMERA COMBINED WITH VIDEO TAPE RECORDER**

(75) Inventor: **Kaoru Sumita**, Tokyo (JP)

(73) Assignee: **Sony Corporation** (JP)

(**) Term: **14 Years**

(21) Appl. No.: **29/091,137**

(22) Filed: **Jul. 24, 1998**

(51) **LOC (7) Cl.** **16-01**

(52) **U.S. Cl.** **D16/202**

(58) **Field of Search** D16/200-206;
348/373-376; 358/906; 396/535-541

(56) **References Cited**

U.S. PATENT DOCUMENTS

D. 385,568	*	10/1997	Harata	D16/202
D. 400,900	*	11/1998	Harata	D16/202
D. 407,424	*	3/1999	Nakamura	D16/202
D. 416,928	*	11/1999	Sumita	D16/202
5,499,052	*	3/1996	Nakanishi et al.	348/373

OTHER PUBLICATIONS

Sony Catalog 88, pp. 6-9, Mar., 1998.

* cited by examiner

Primary Examiner—Adir Aronovich

(74) *Attorney, Agent, or Firm*—Rader, Fishman&Grauer

(57) **CLAIM**

The ornamental design for a video camera combined with video tape recorder, as shown and described.

DESCRIPTION

FIG. 1 is a top, front perspective view of a video camera combined with video tape recorder showing my new design; FIG. 2 is a top, rear perspective view thereof, the viewing screen shown in an extending away position; FIG. 3 is a top, rear perspective view of thereof, the viewing screen shown in the first alternate position; FIG. 4 is a top, rear perspective view thereof, the viewing screen shown in the second alternate position; FIG. 5 is a top, rear perspective view thereof, the viewing screen shown in the third alternate position; FIG. 6 is a top plan view thereof; FIG. 7 is a left side elevational view thereof; FIG. 8 is a front elevational view thereof; FIG. 9 is a right side elevational view thereof; FIG. 10 is a rear elevational view thereof; FIG. 11 is a bottom plan view thereof; and, FIG. 12 is another perspective view thereof, wherein the cover portion of video camera combined with video tape recorder is in the open position.

1 Claim, 9 Drawing Sheets

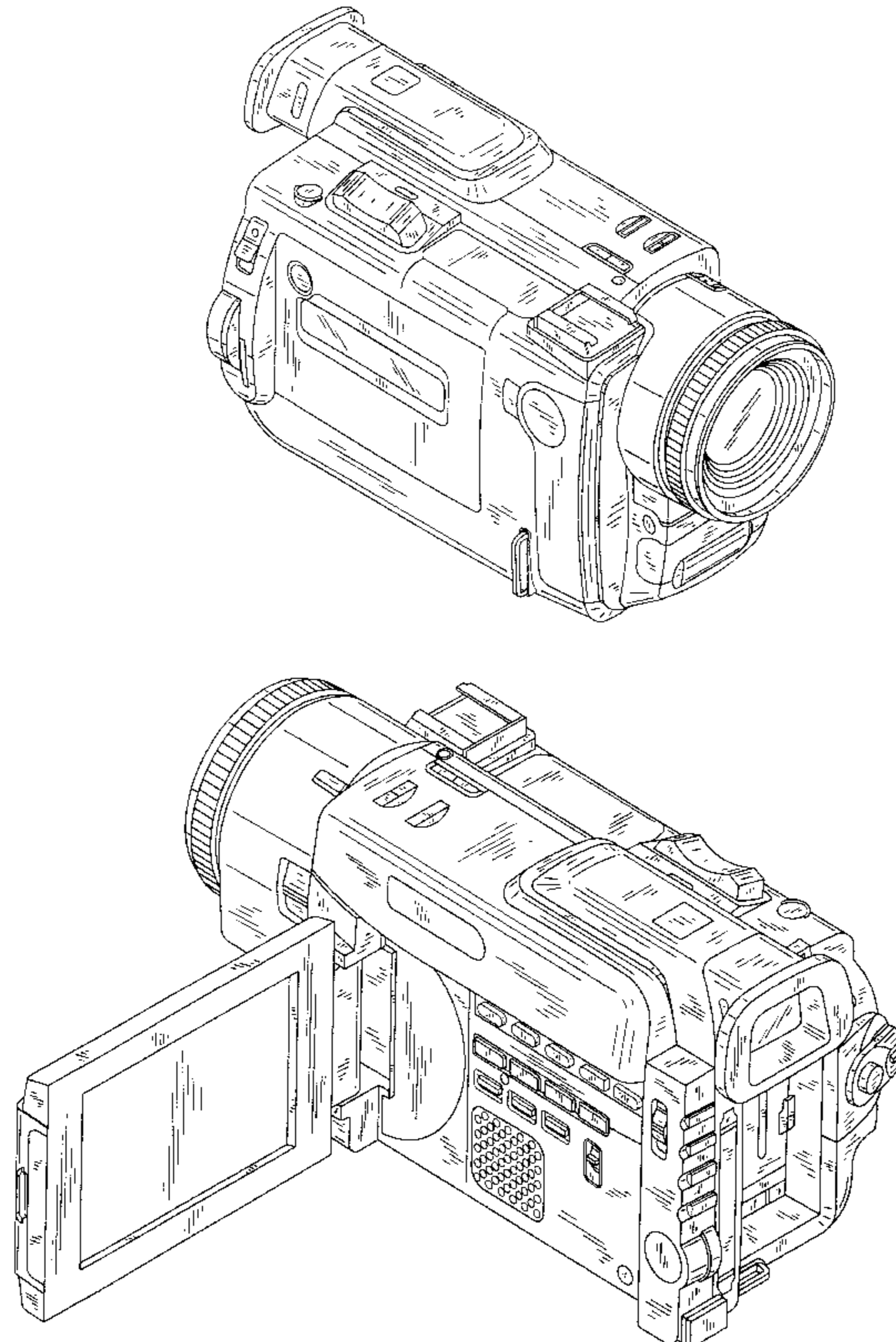


FIG. 1

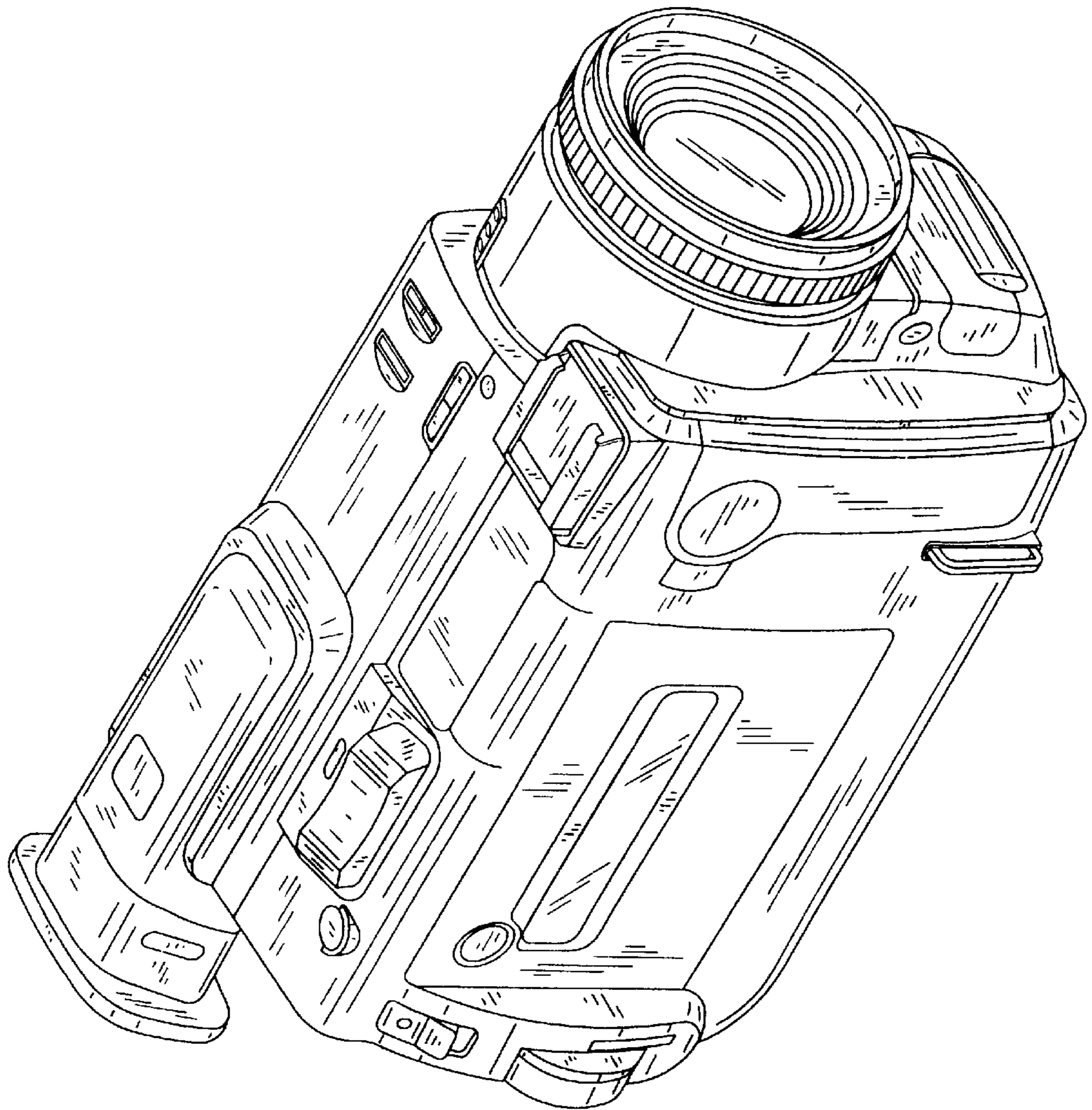


FIG. 2

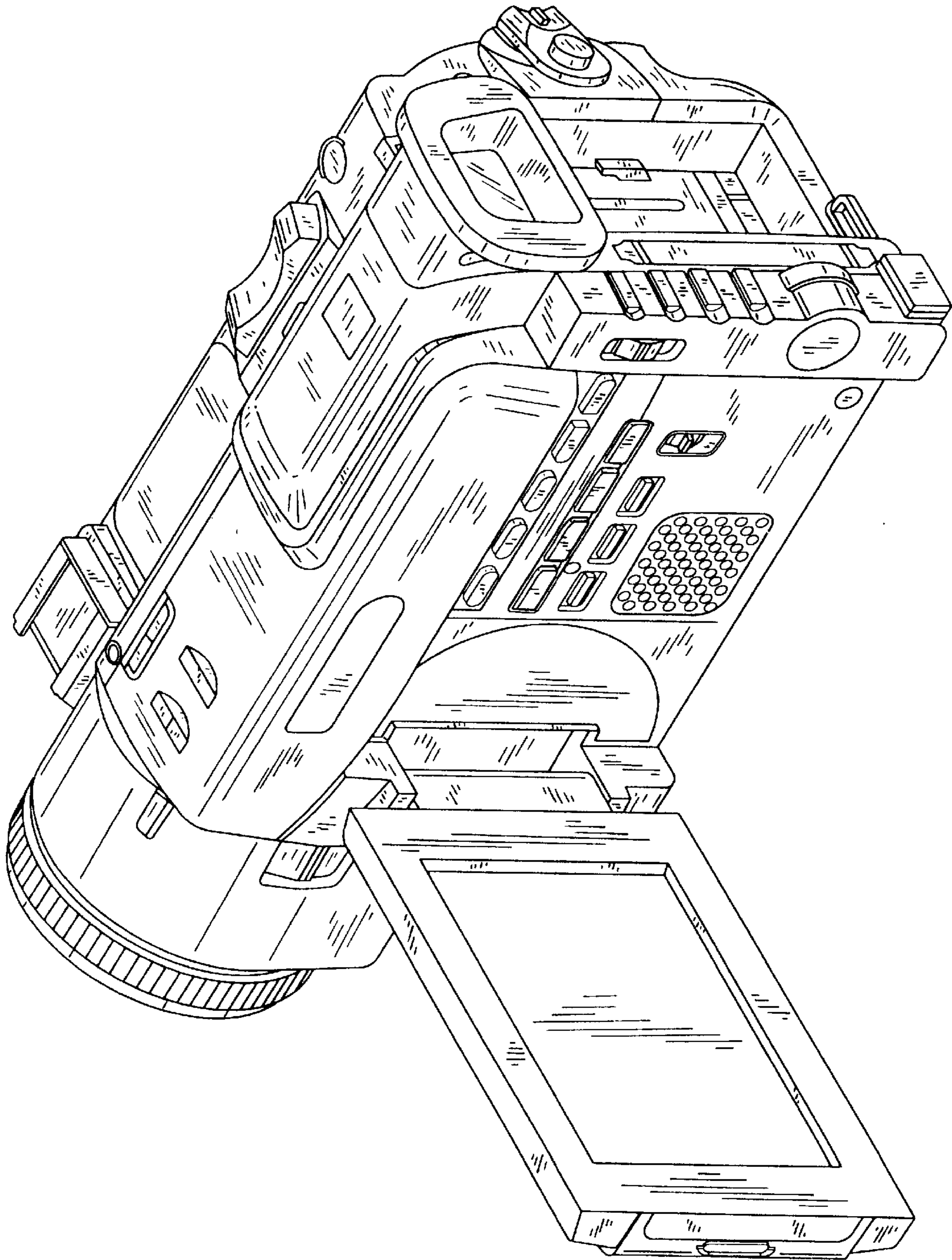
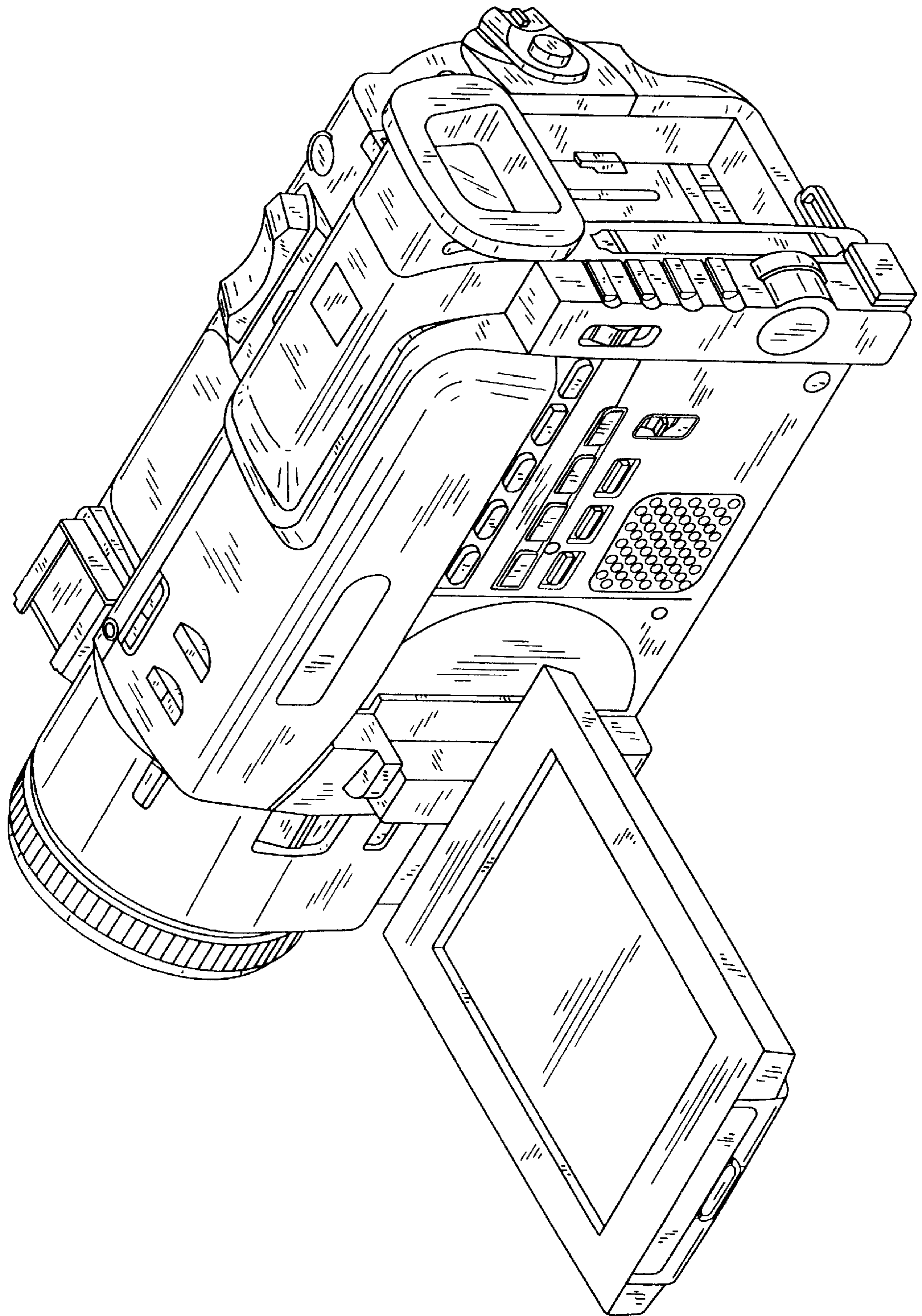


FIG. 3



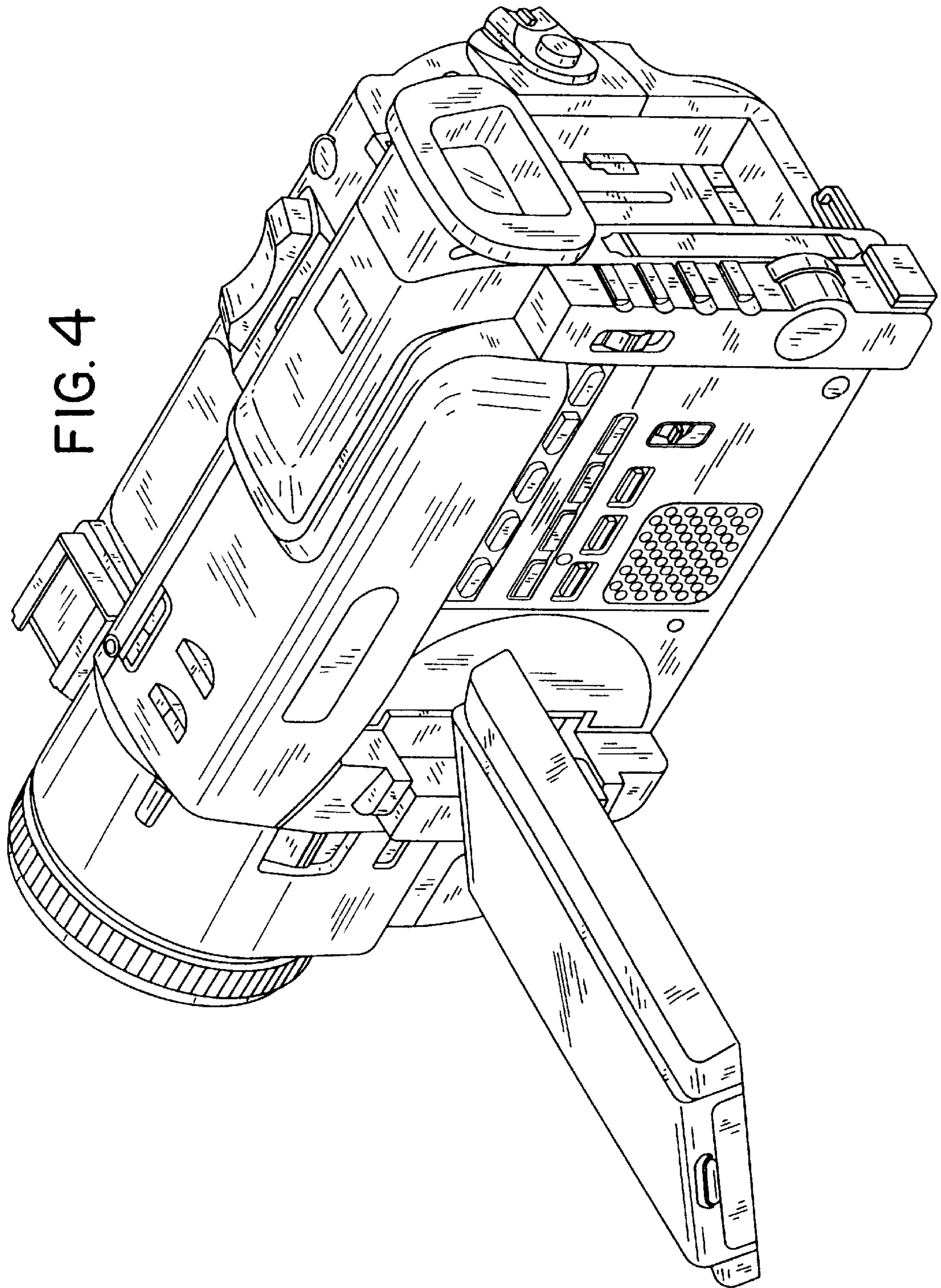


FIG. 4

FIG. 5

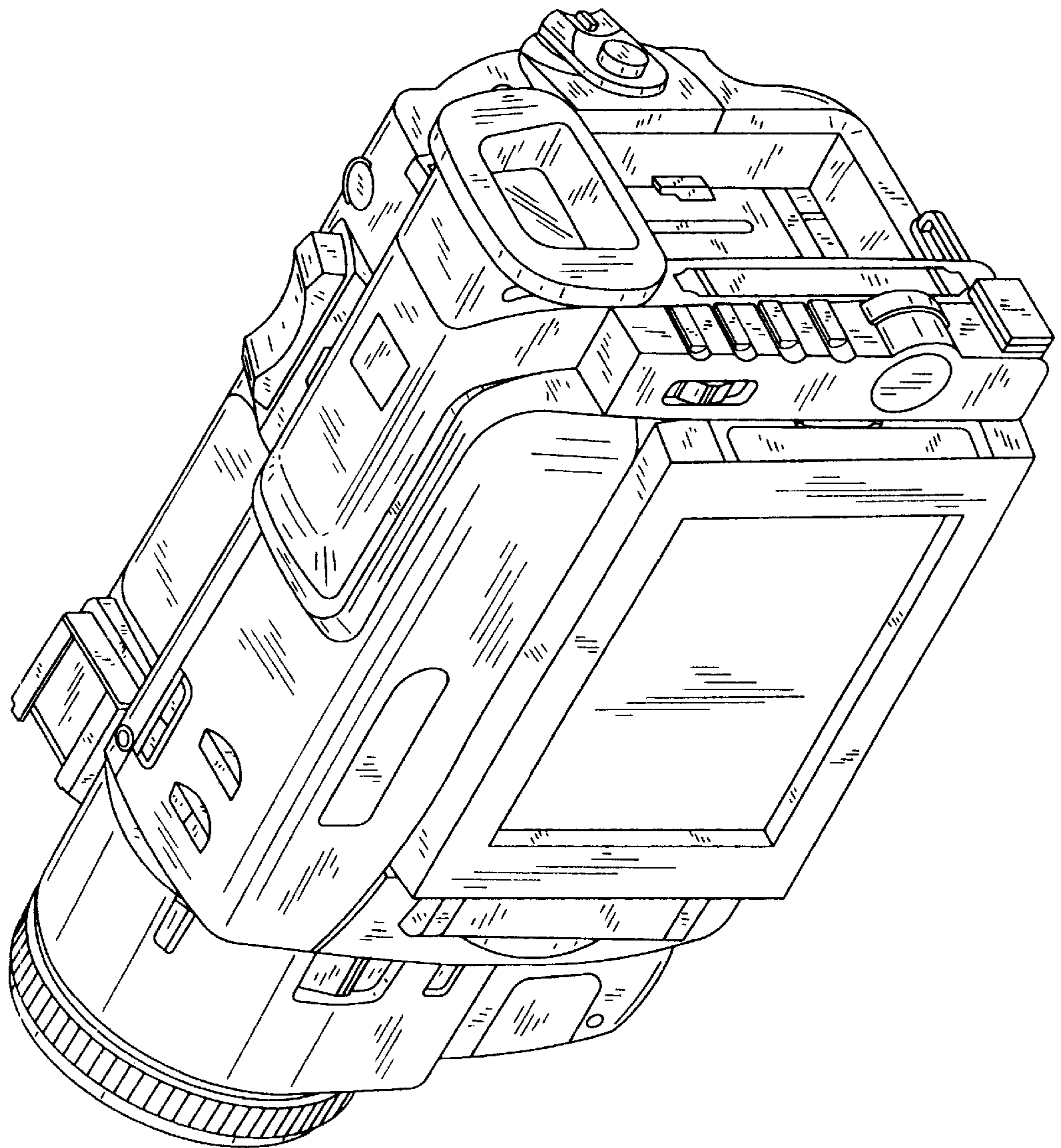


FIG. 6

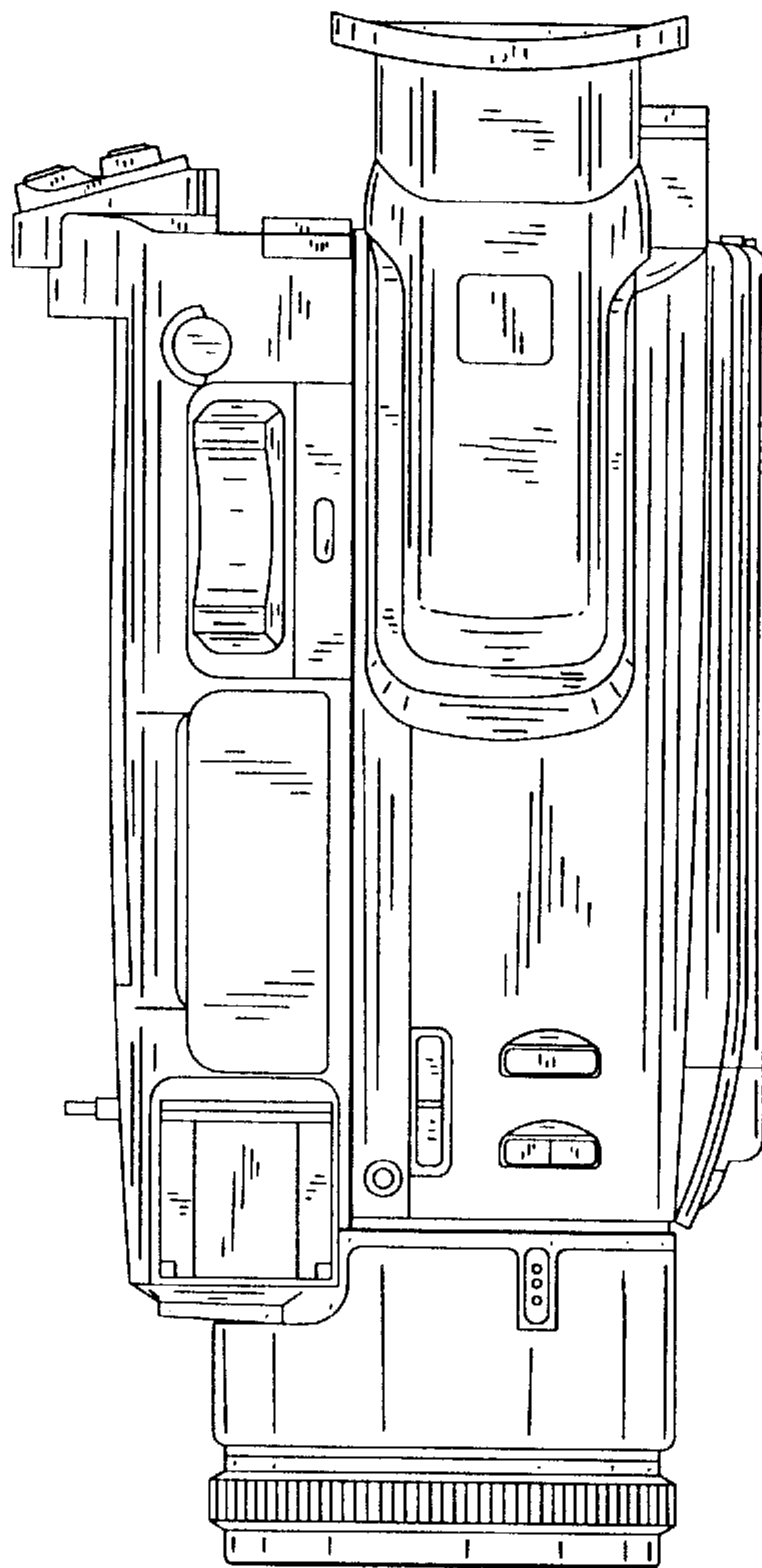


FIG. 7

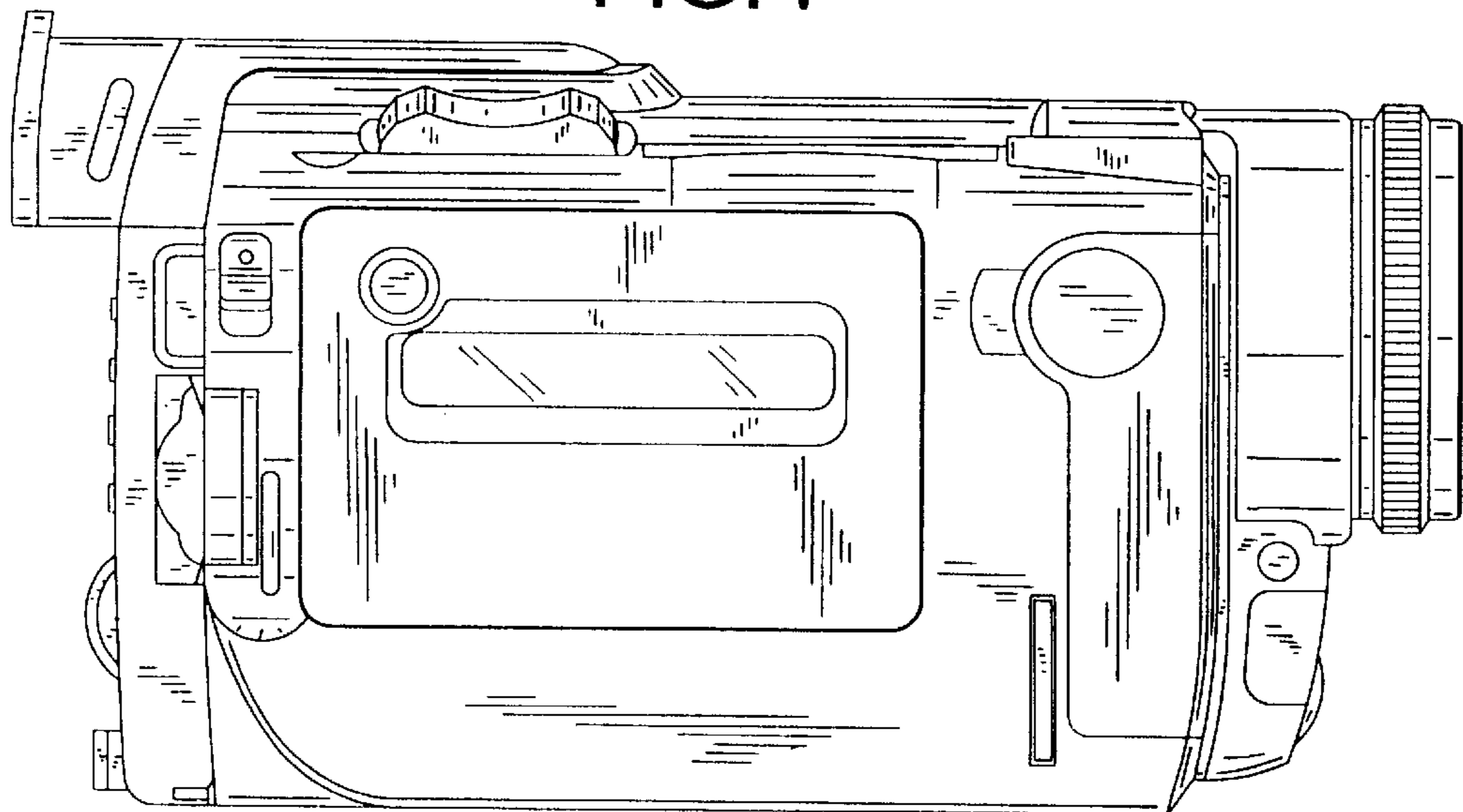


FIG. 8

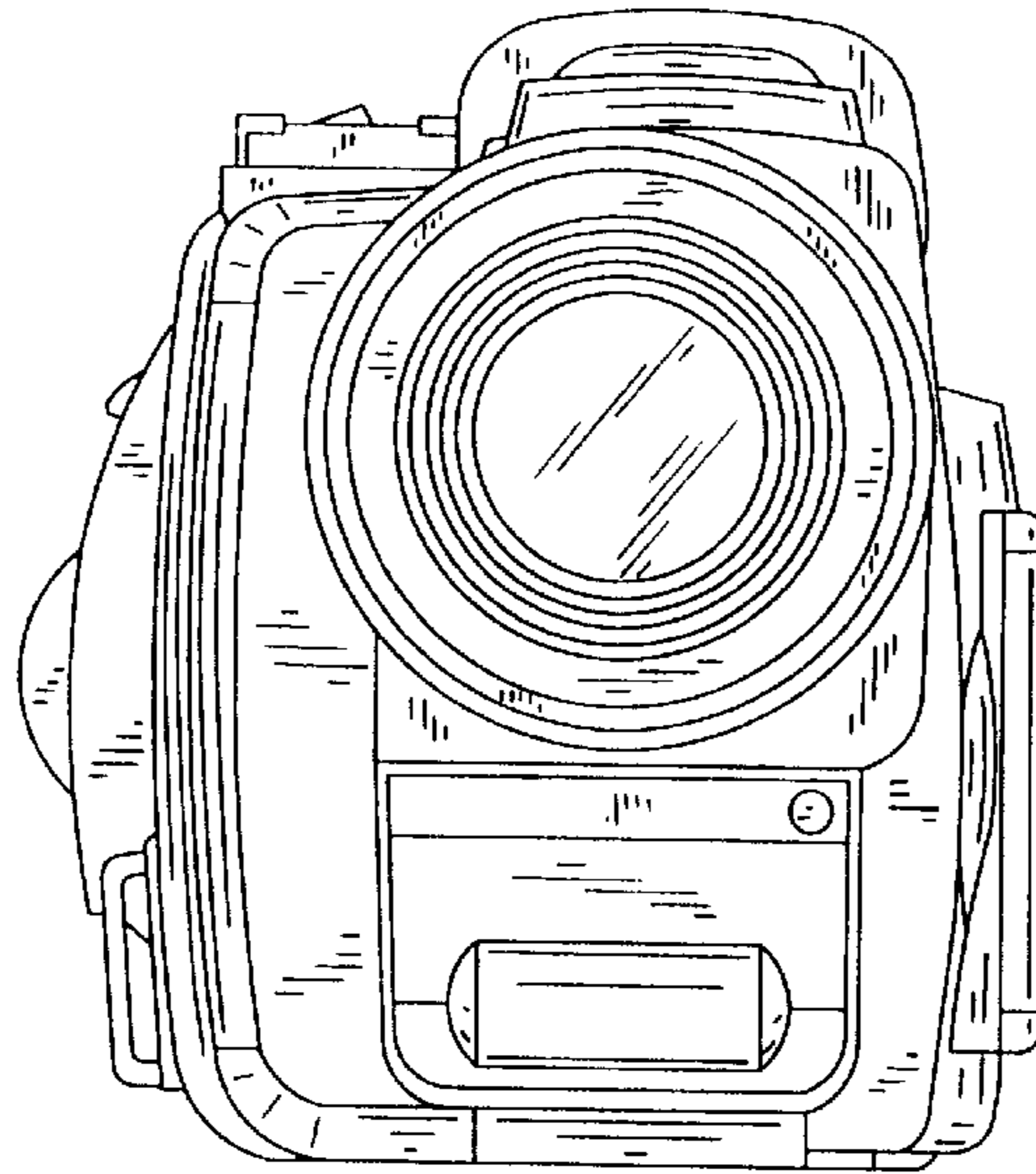


FIG. 9

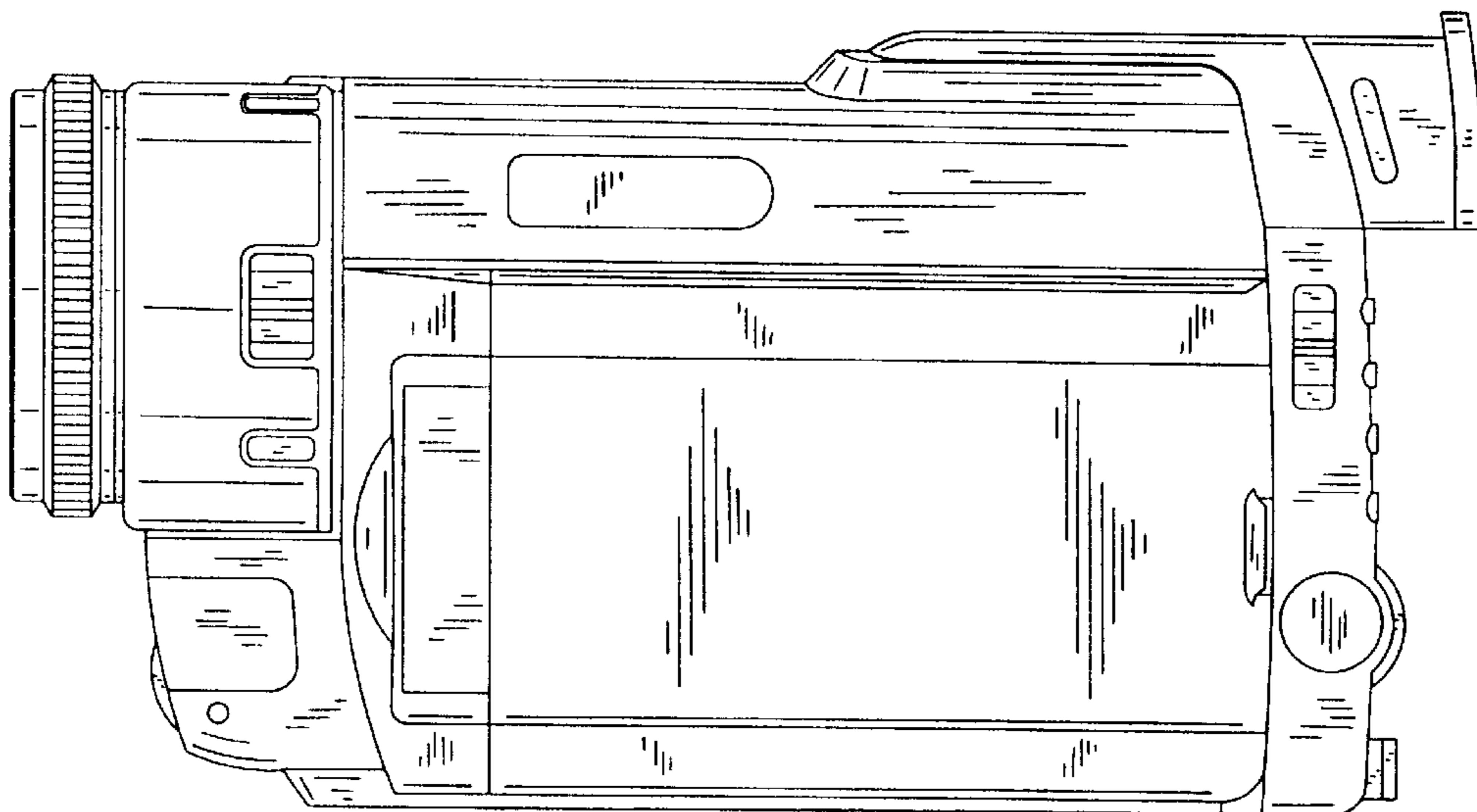


FIG. 10

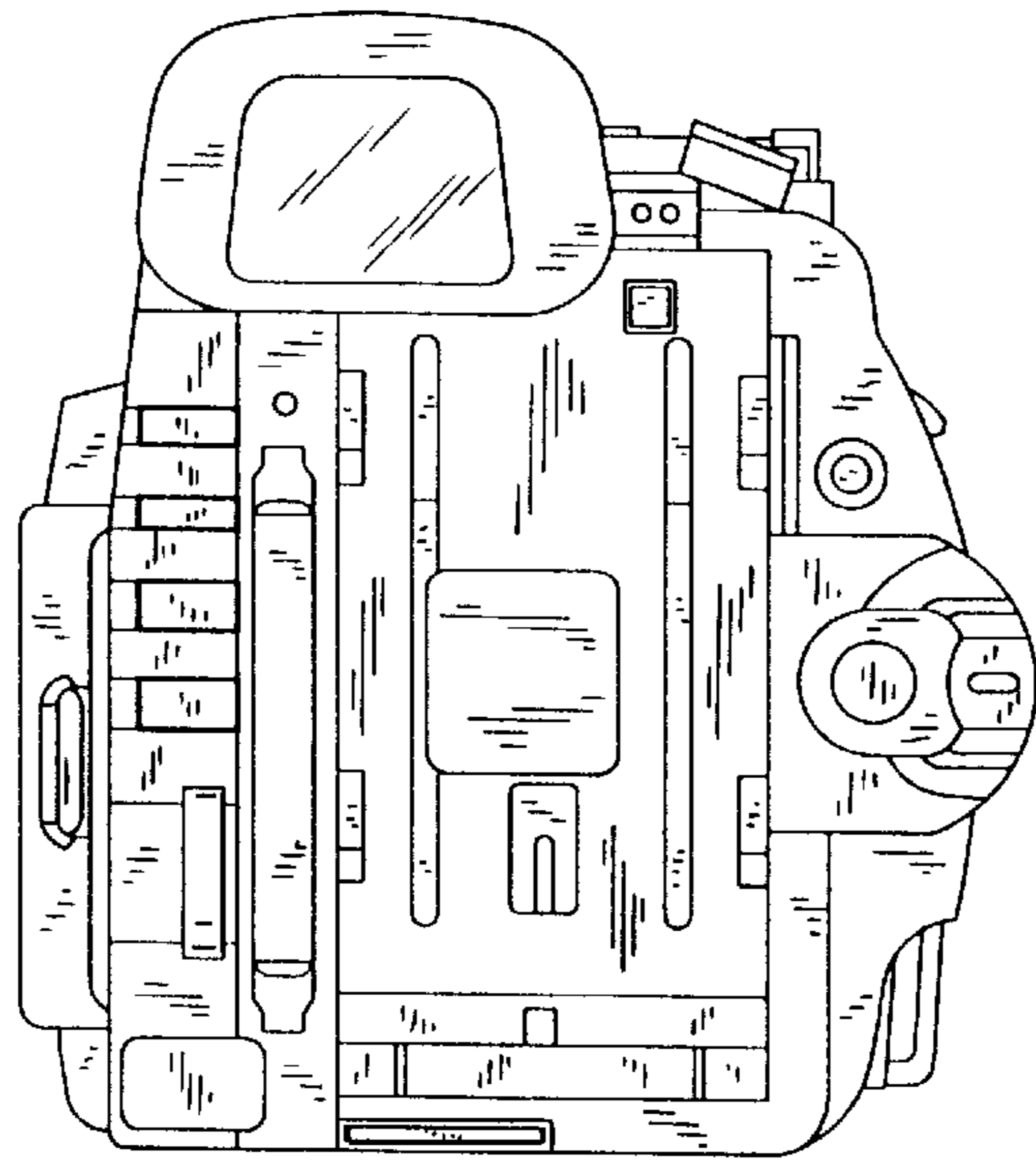


FIG. 11

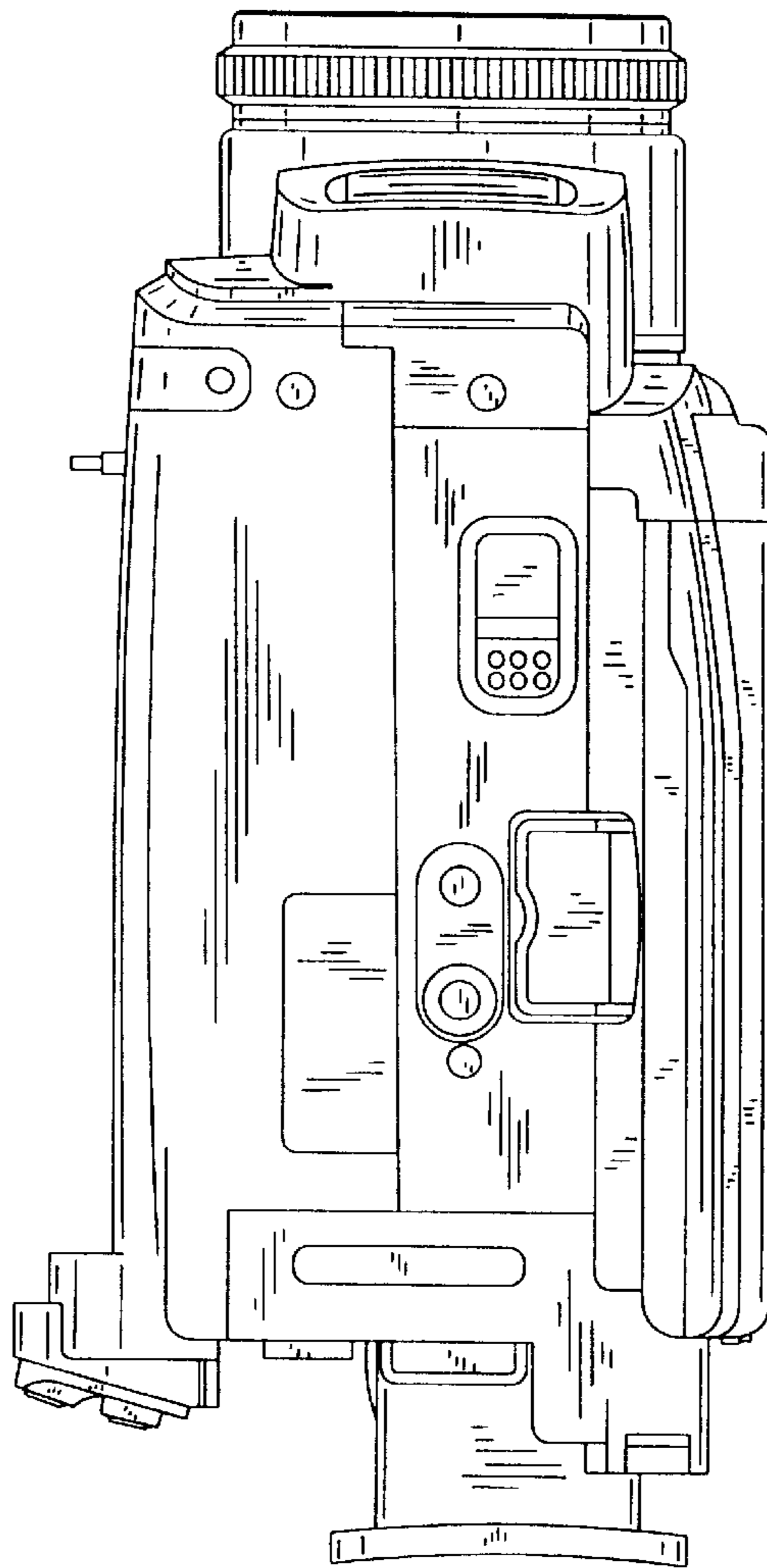


FIG. 12

