



US00D439918S

(12) **United States Design Patent**  
**Yamaguchi et al.**

(10) **Patent No.:** **US D439,918 S**

(45) **Date of Patent:** **\*\* Apr. 3, 2001**

(54) **ZOOM EYEPIECE**

(75) Inventors: **Kenjiro Yamaguchi**, Tokyo; **Atsushi Denpo**, Saitama, both of (JP)

(73) Assignee: **Asahi Kogaku Kogyo Kabushiki Kaisha**, Tokyo (JP)

(\*\*) Term: **14 Years**

(21) Appl. No.: **29/125,569**

(22) Filed: **Jun. 23, 2000**

(30) **Foreign Application Priority Data**

Dec. 28, 1999 (JP) ..... 11-37054

(51) **LOC (7) Cl.** ..... **16-06**

(52) **U.S. Cl.** ..... **D16/134**

(58) **Field of Search** ..... D16/130, 134;  
359/700, 823, 826, 827, 892; 396/103,  
133, 137, 529, 227; 352/140

(56) **References Cited**

**U.S. PATENT DOCUMENTS**

D. 337,775 \* 7/1993 Takahashi ..... D16/134

D. 347,650 \* 6/1994 Takahashi ..... D16/134  
D. 356,805 \* 3/1995 Takahashi ..... D16/134  
D. 362,007 \* 9/1995 Takahashi ..... D16/134  
D. 420,029 \* 2/2000 Kimura et al. .... D16/134  
6,104,551 \* 8/2000 Matsui ..... 359/700

\* cited by examiner

*Primary Examiner*—Paula A. Mortimer

(74) *Attorney, Agent, or Firm*—Sughrue, Mion, Zinn, Macpeak & Seas, PLLC

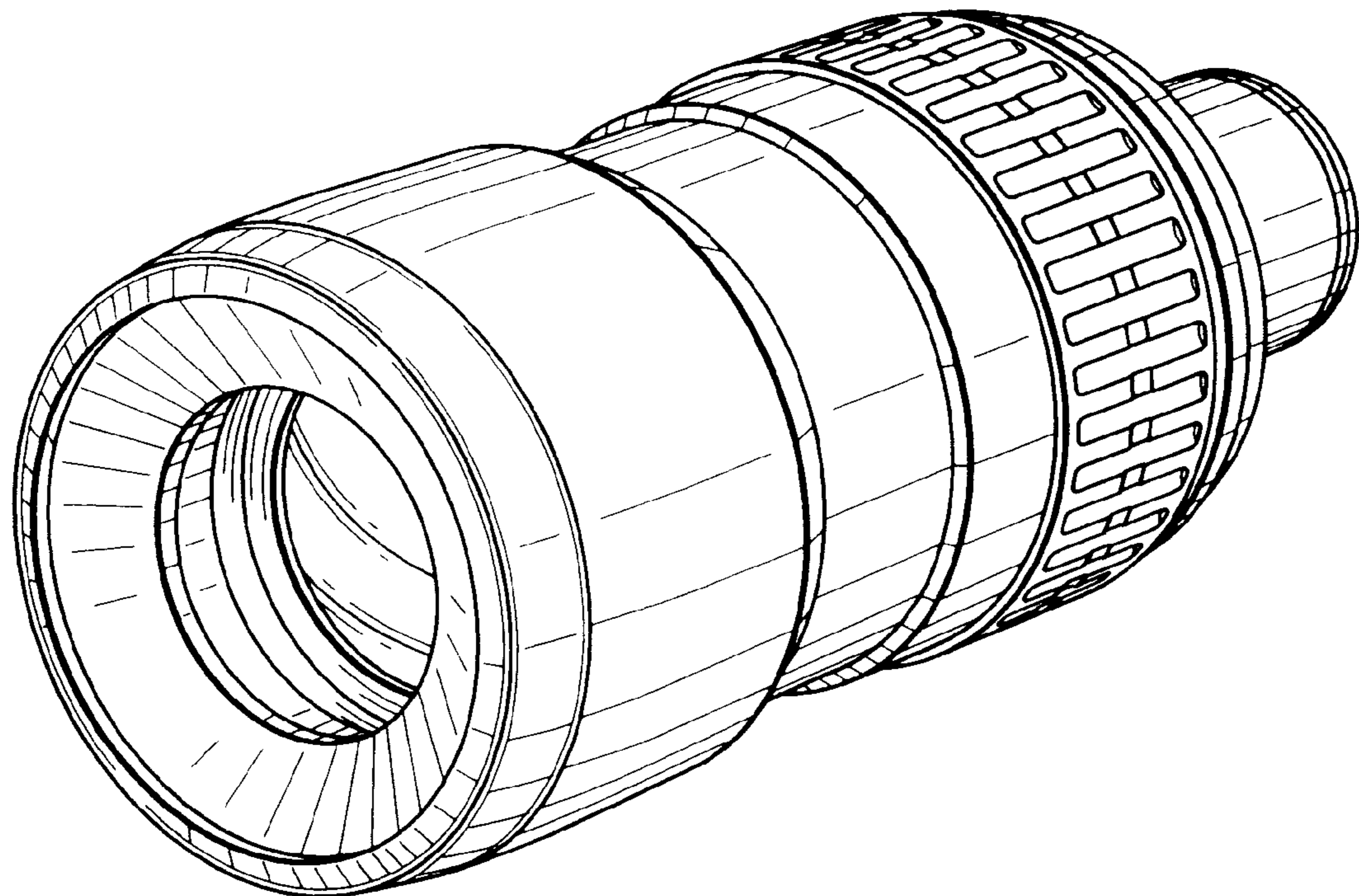
(57) **CLAIM**

The ornamental design for a zoom eyepiece, as shown.

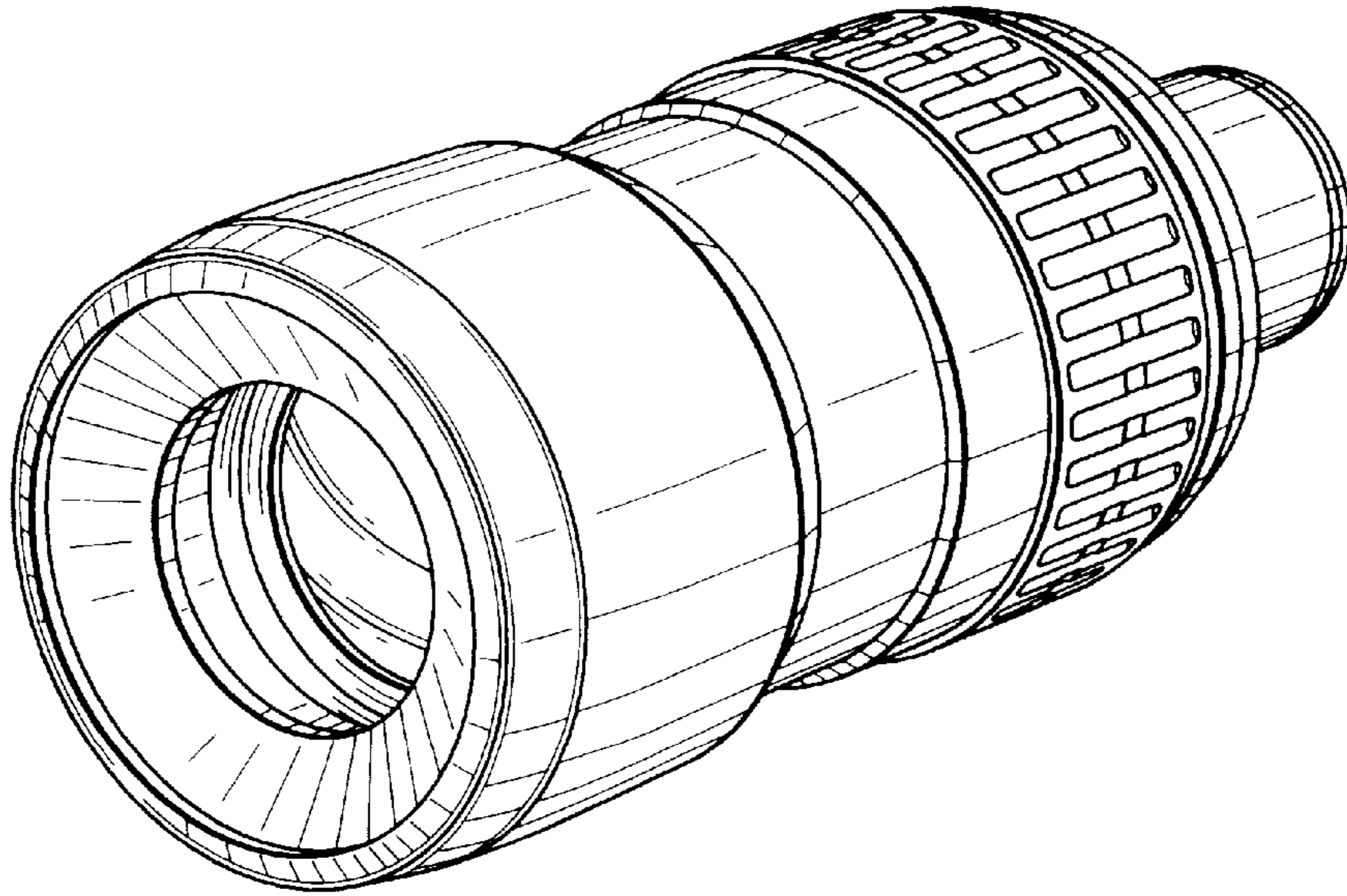
**DESCRIPTION**

FIG. 1 is a perspective view of the top, one side and one end of a zoom eyepiece showing our new design;  
FIG. 2 is an end view of said one end thereof;  
FIG. 3 is an view of an opposite end thereof;  
FIG. 4 is a top plan view thereof;  
FIG. 5 is a bottom plan view thereof;  
FIG. 6 is a side elevational view of said one end thereof; and,  
FIG. 7 is a side view of an opposite side thereof.

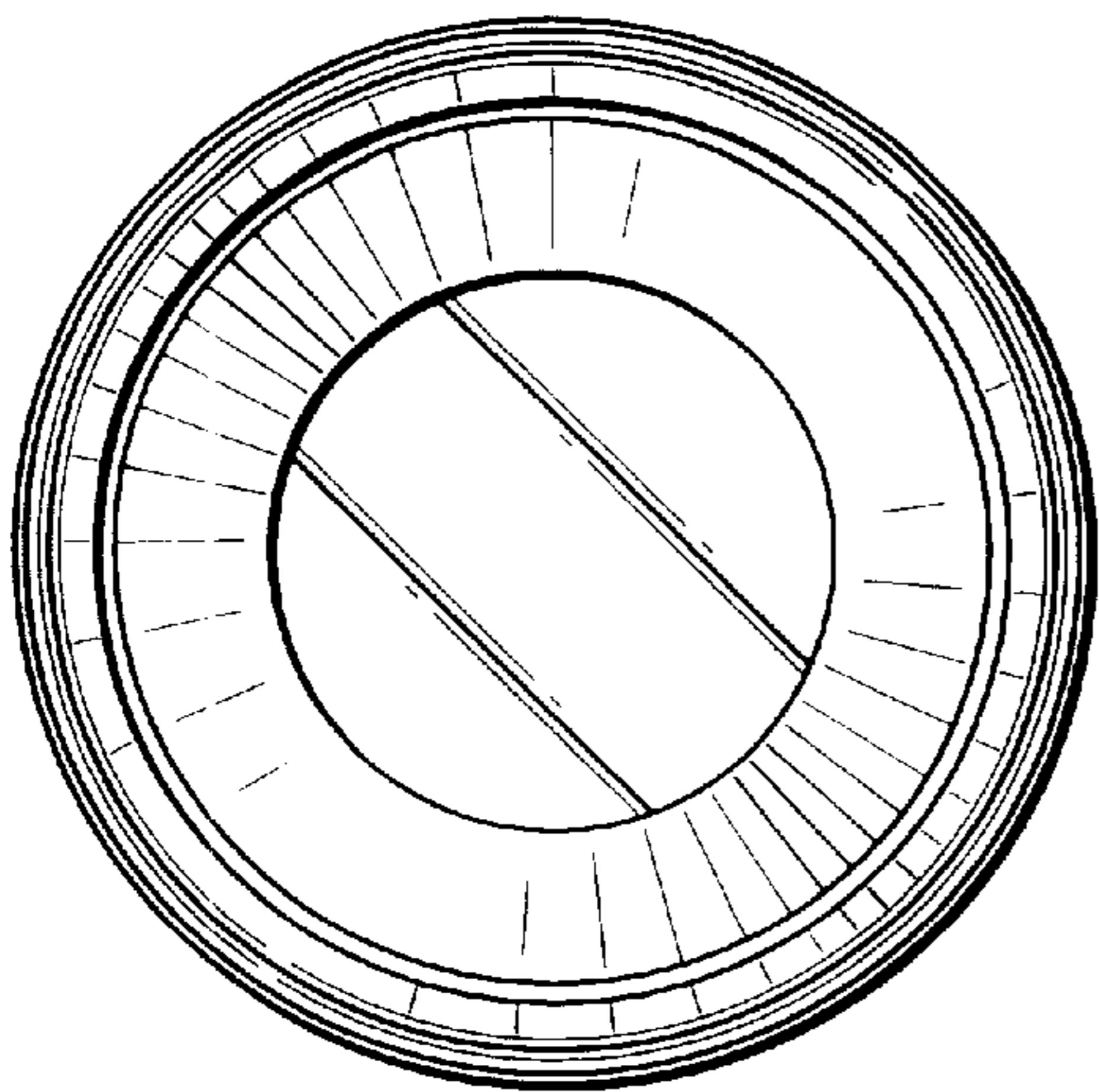
**1 Claim, 3 Drawing Sheets**



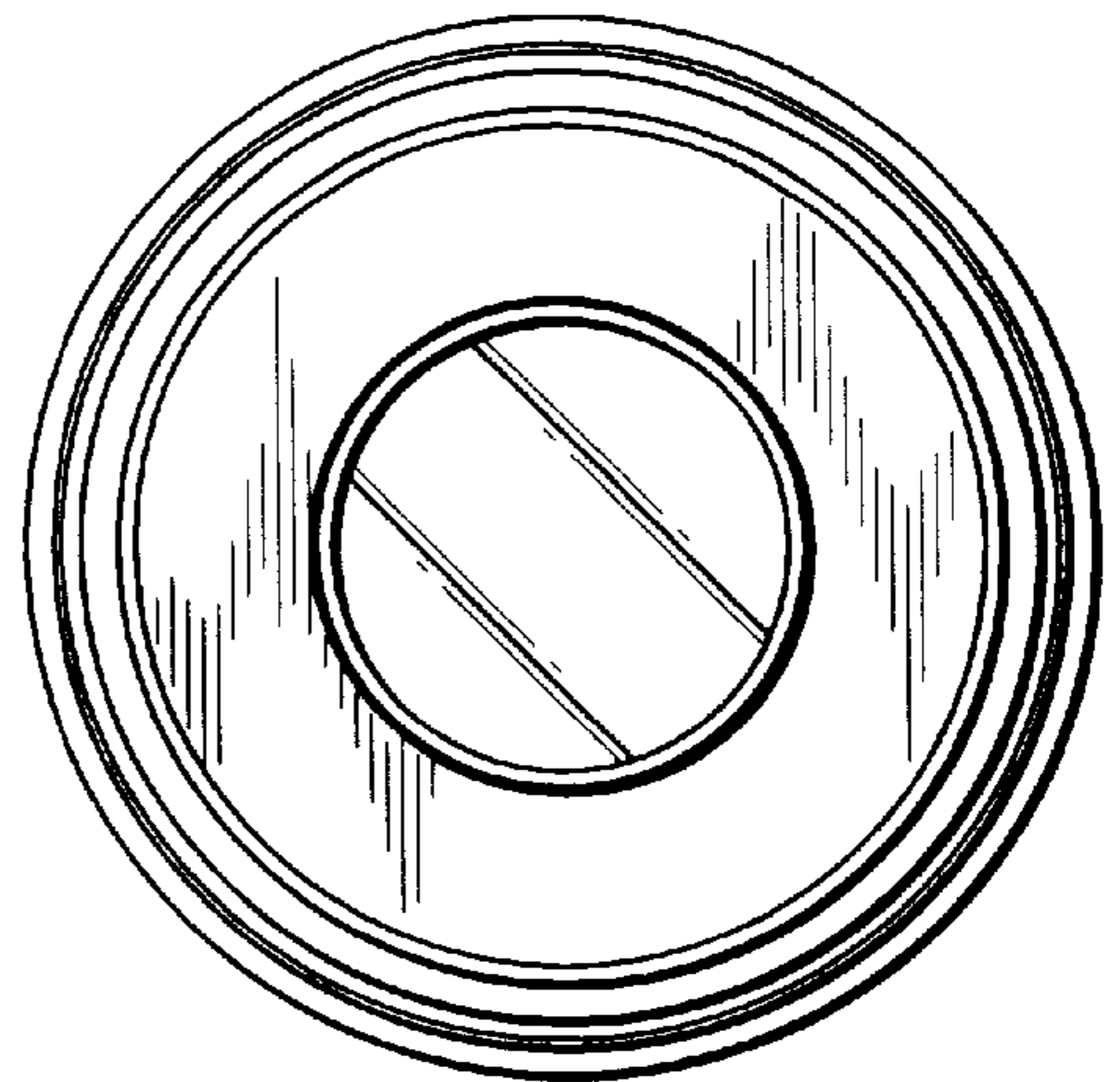
*FIG. 1*



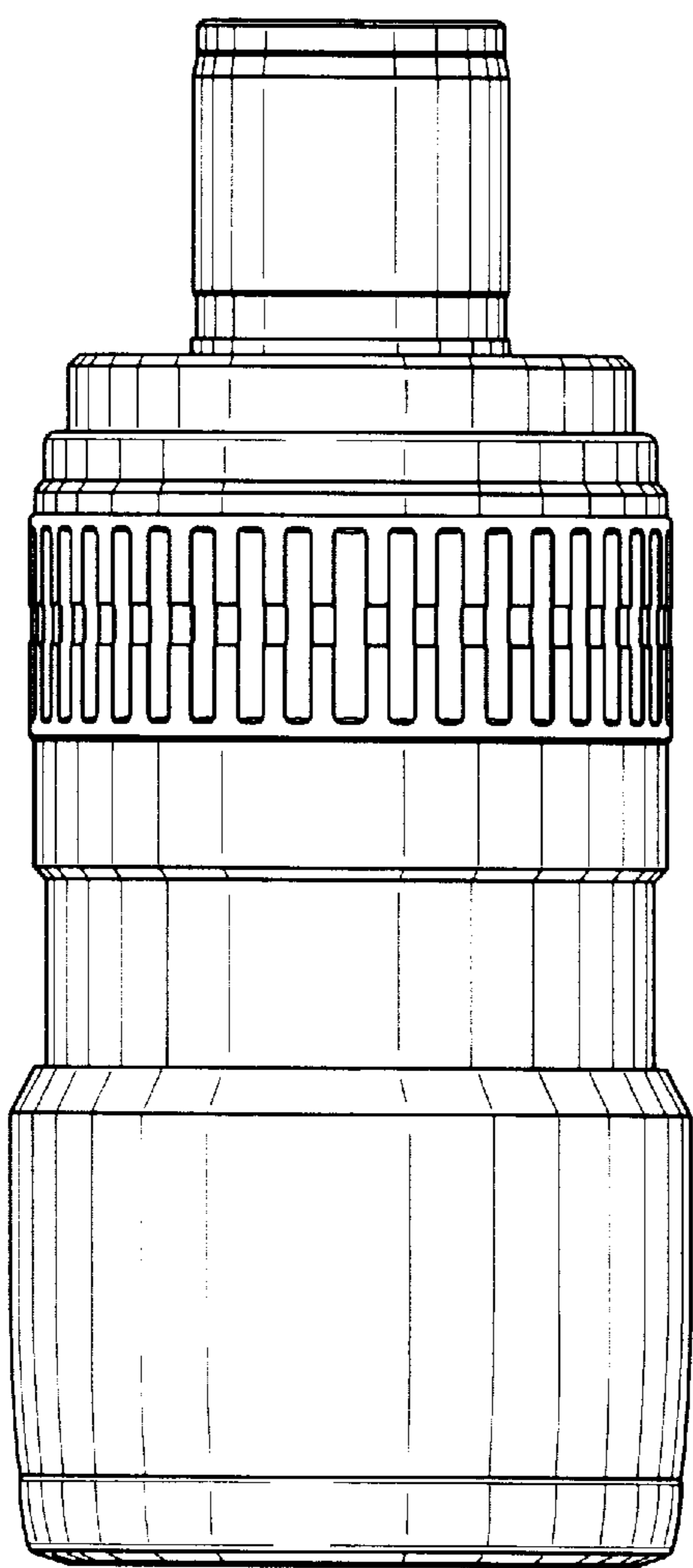
*FIG. 2*



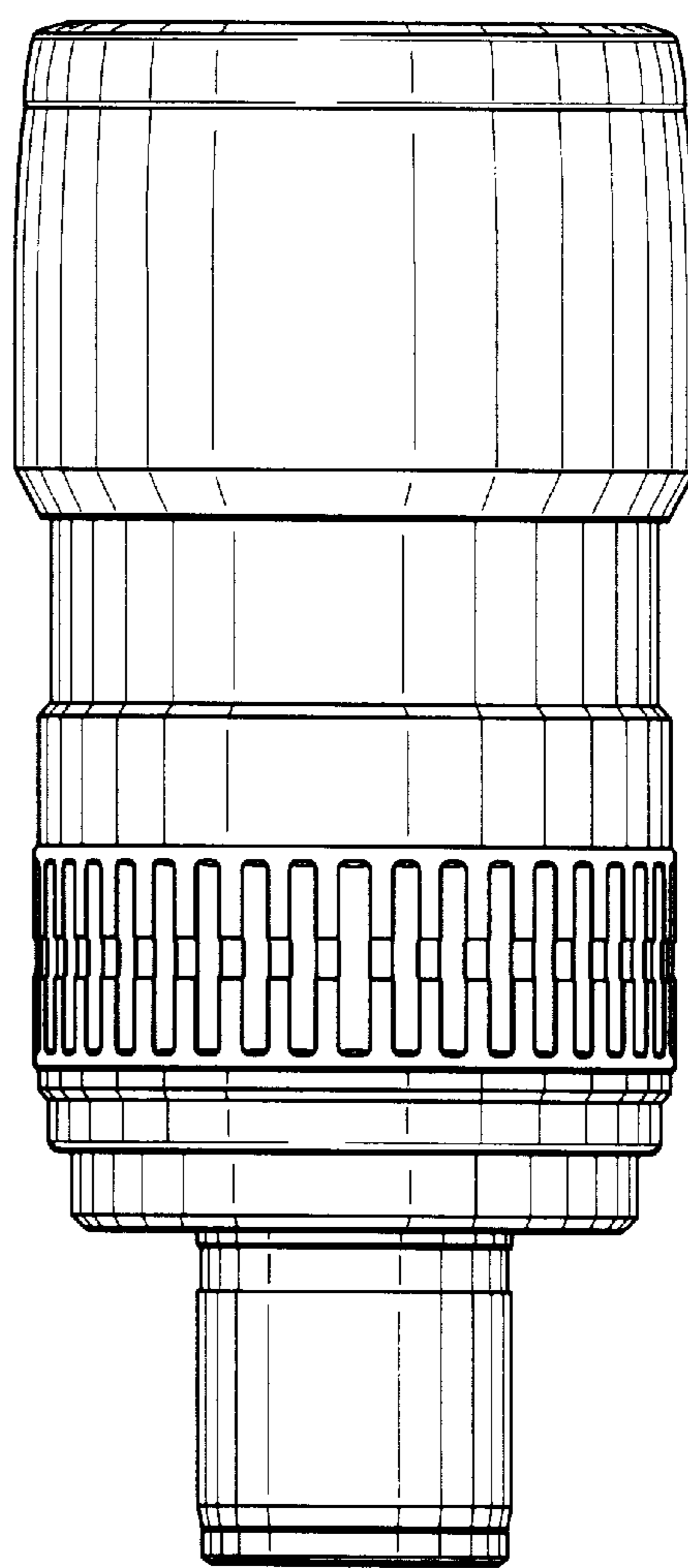
*FIG. 3*



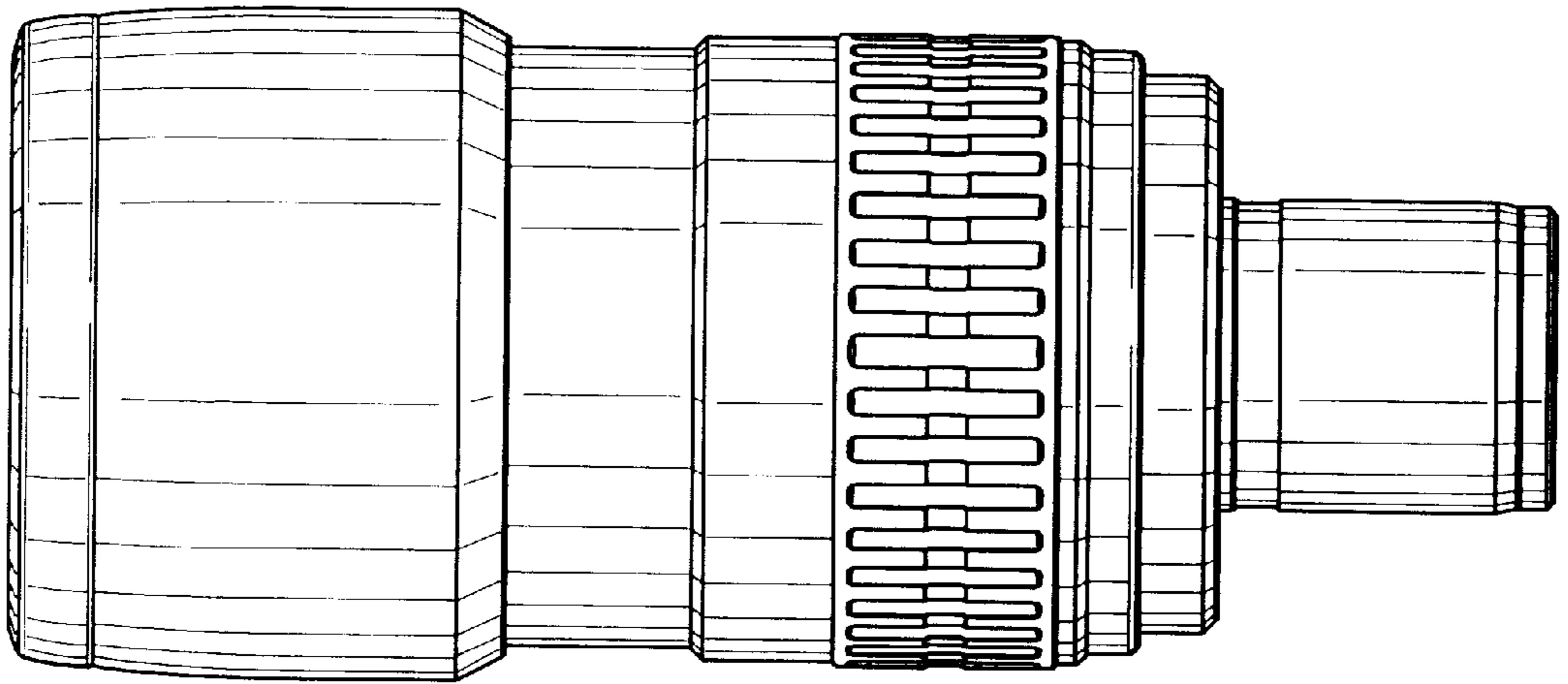
*FIG. 4*



*FIG. 5*



*FIG. 6*



*FIG. 7*

