



US00D439916S

(12) **United States Design Patent**
Heinonen et al.

(10) **Patent No.:** **US D439,916 S**

(45) **Date of Patent:** **** Apr. 3, 2001**

(54) **FASTENING BODY FOR A ROCK DRILL**

5,947,211 * 9/1999 Jakobsson 173/162.1

(75) Inventors: **Jarmo Heinonen**, Tampere; **Jorma Mäki**, Mutala, both of (FI)

* cited by examiner

Primary Examiner—Antoine Duval Davis

(74) *Attorney, Agent, or Firm*—Ladas & Parry

(73) Assignee: **Sandvik Tamrock Oy**, Tampere (FI)

(57) **CLAIM**

(**) Term: **14 Years**

The ornamental design for a fastening body for a rock drill, as shown and described.

(21) Appl. No.: **29/120,653**

DESCRIPTION

(22) Filed: **Mar. 23, 2000**

(51) **LOC (7) Cl.** **15-09**

(52) **U.S. Cl.** **D15/140**

(58) **Field of Search** D15/140, 141;
173/105, 162.1; 308/3.9

FIG. 1 is a top view of a fastening body for a rock drill showing our new design;

FIG. 2 is a side view thereof;

FIG. 3 is a bottom view thereof;

FIG. 4 is a front view thereof;

FIG. 5 is a rear view thereof;

FIG. 6 is a perspective top view thereof;

FIG. 7 is a perspective bottom view thereof;

FIG. 8 is a perspective rear view thereof; and,

FIG. 9 is a perspective front view.

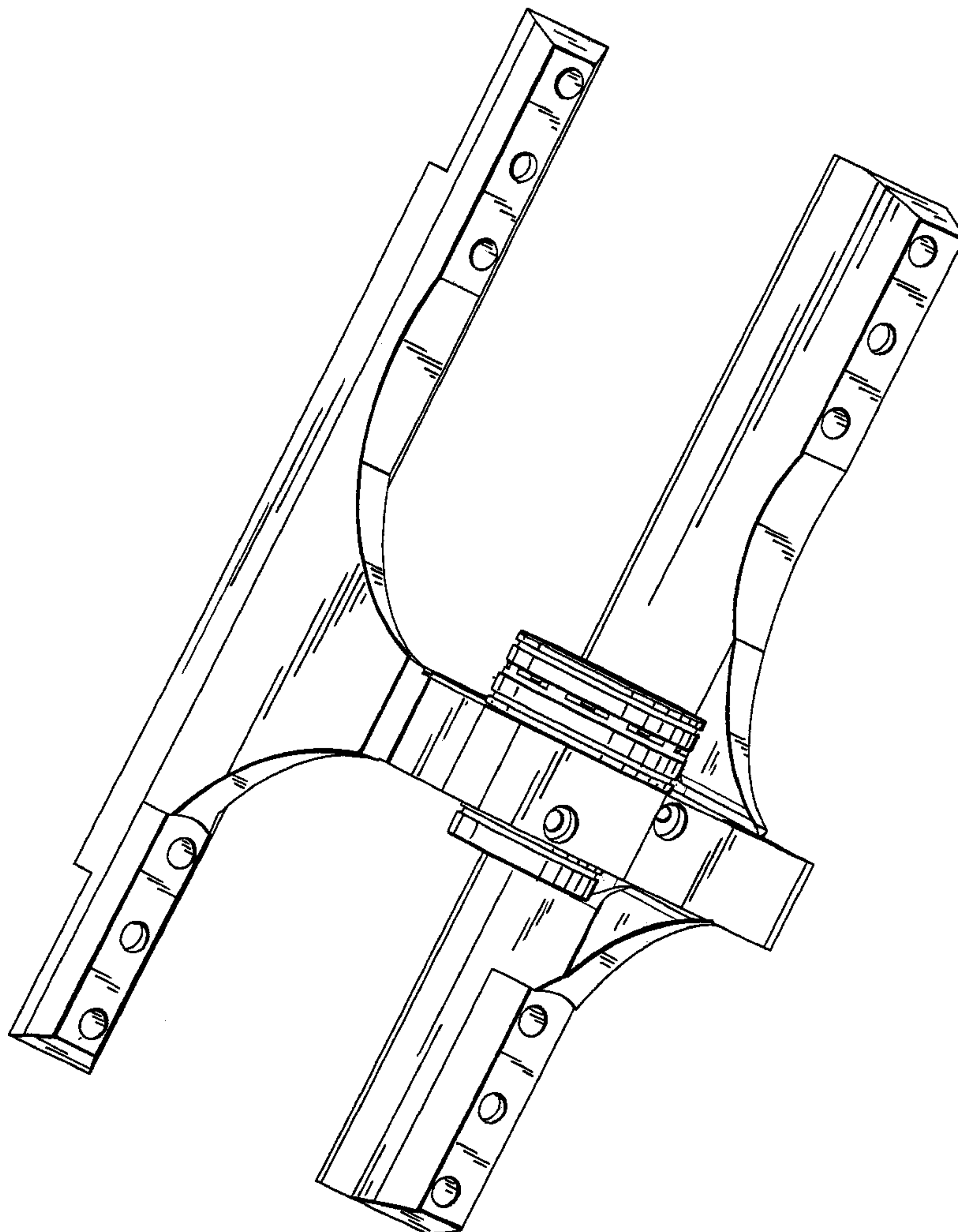
(56) **References Cited**

U.S. PATENT DOCUMENTS

5,263,544 * 11/1993 White 173/162.1

5,462,127 * 10/1995 Svenson 173/162.1 X

1 Claim, 5 Drawing Sheets



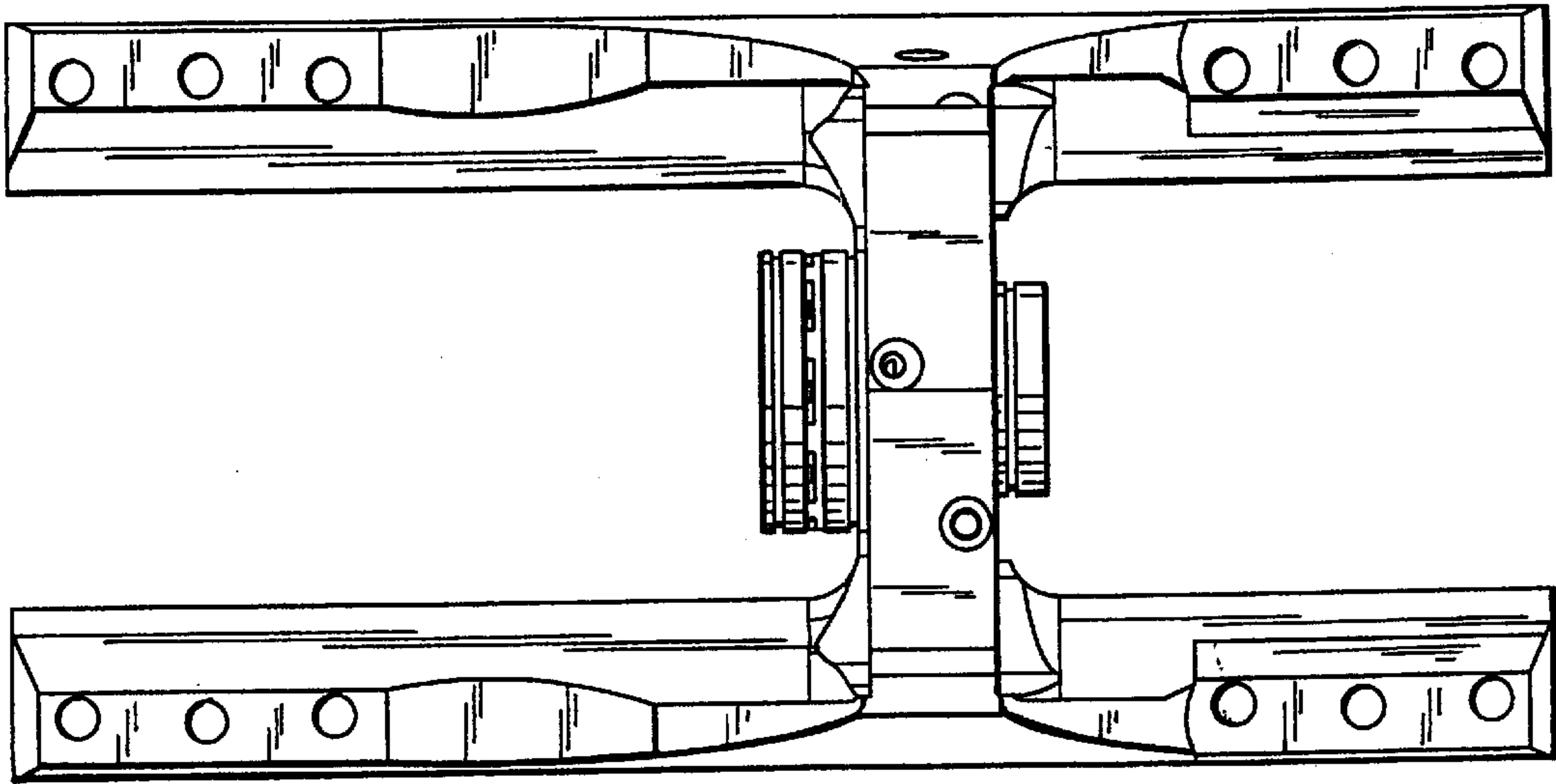


FIG. 1

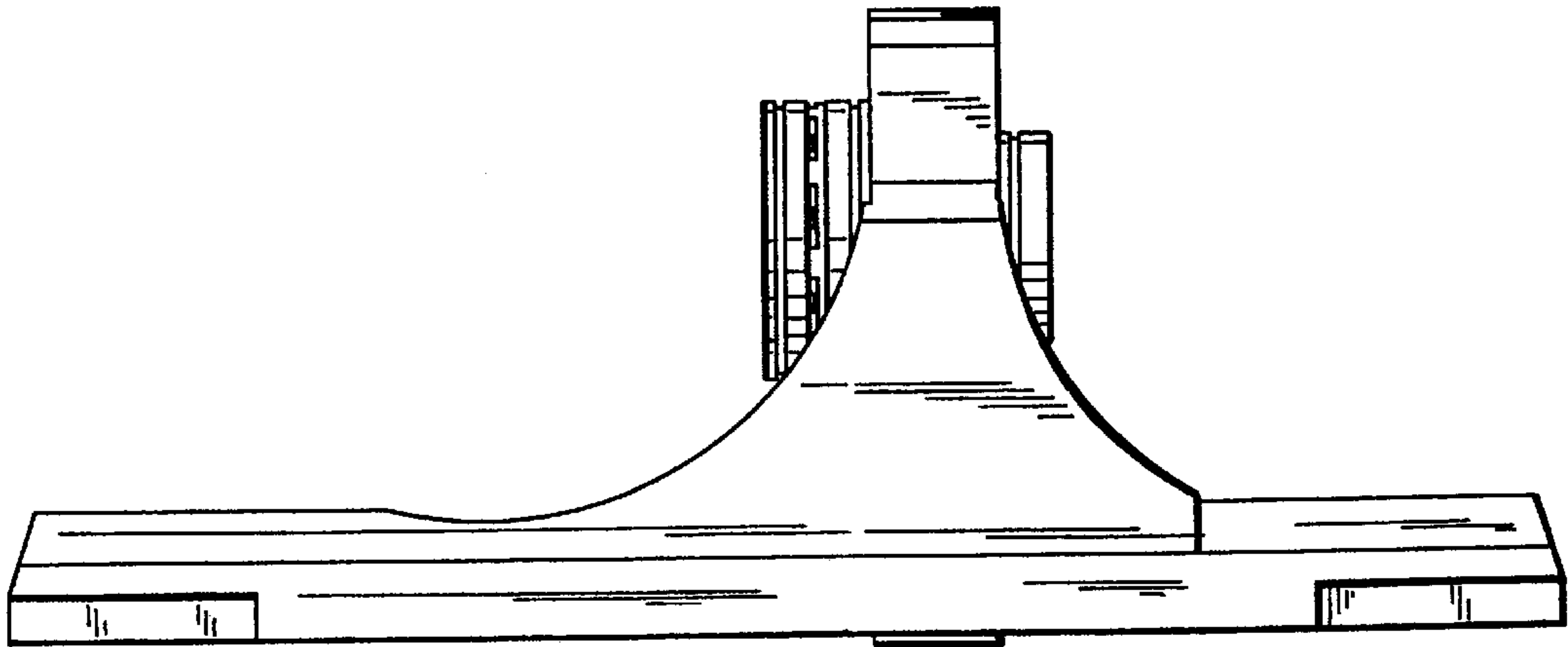


FIG. 2

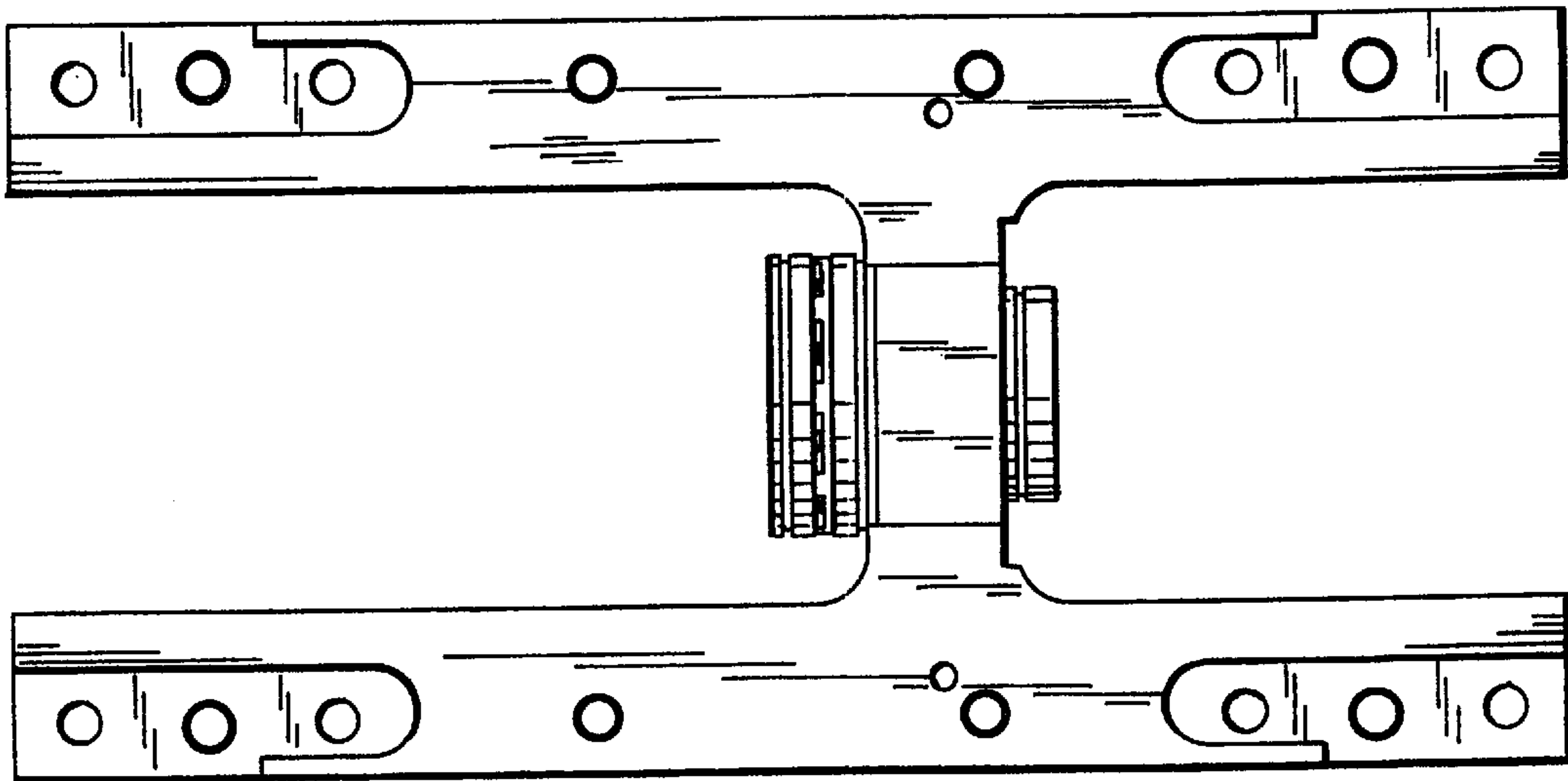


FIG. 3

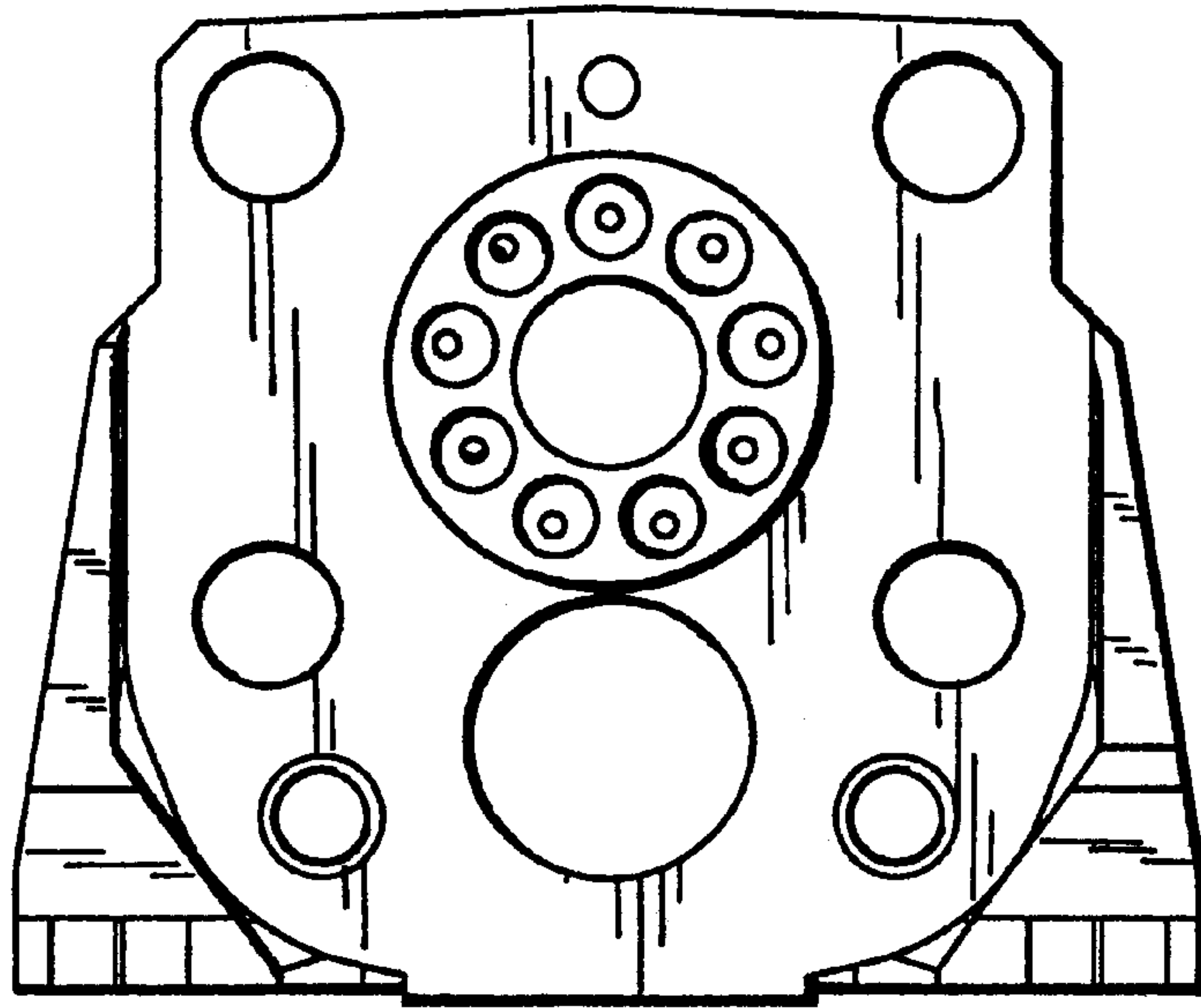


FIG. 4

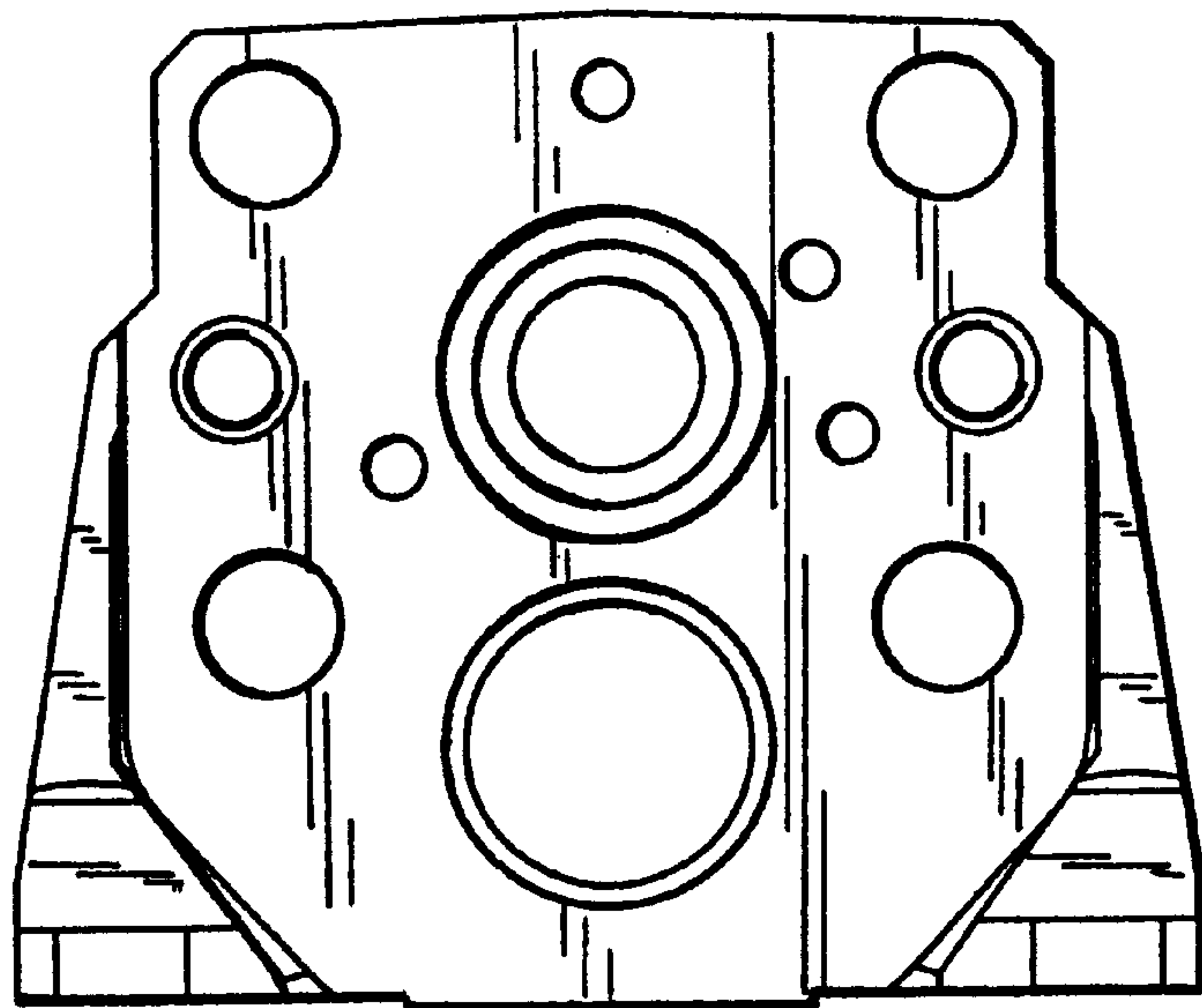


FIG. 5

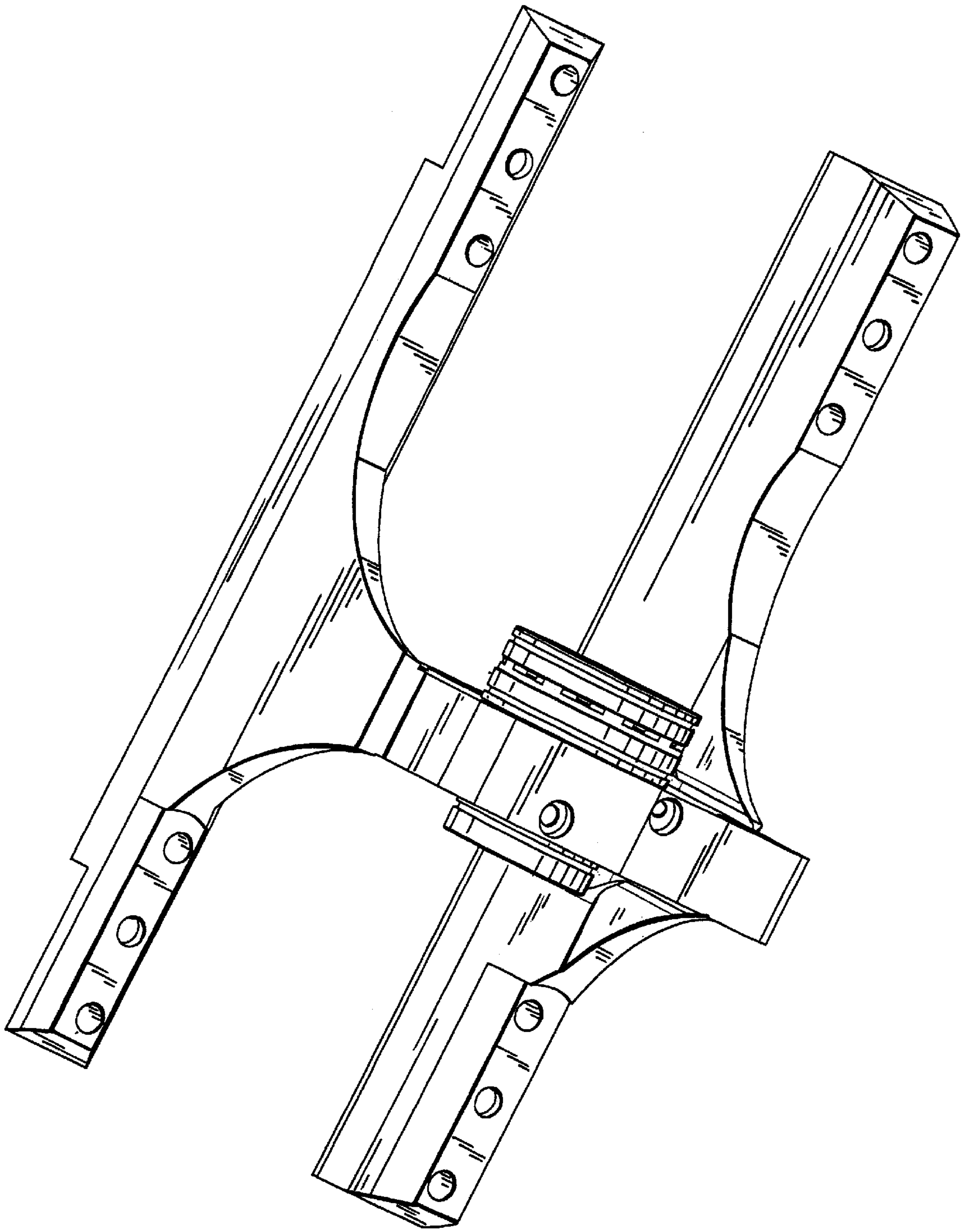


FIG. 6

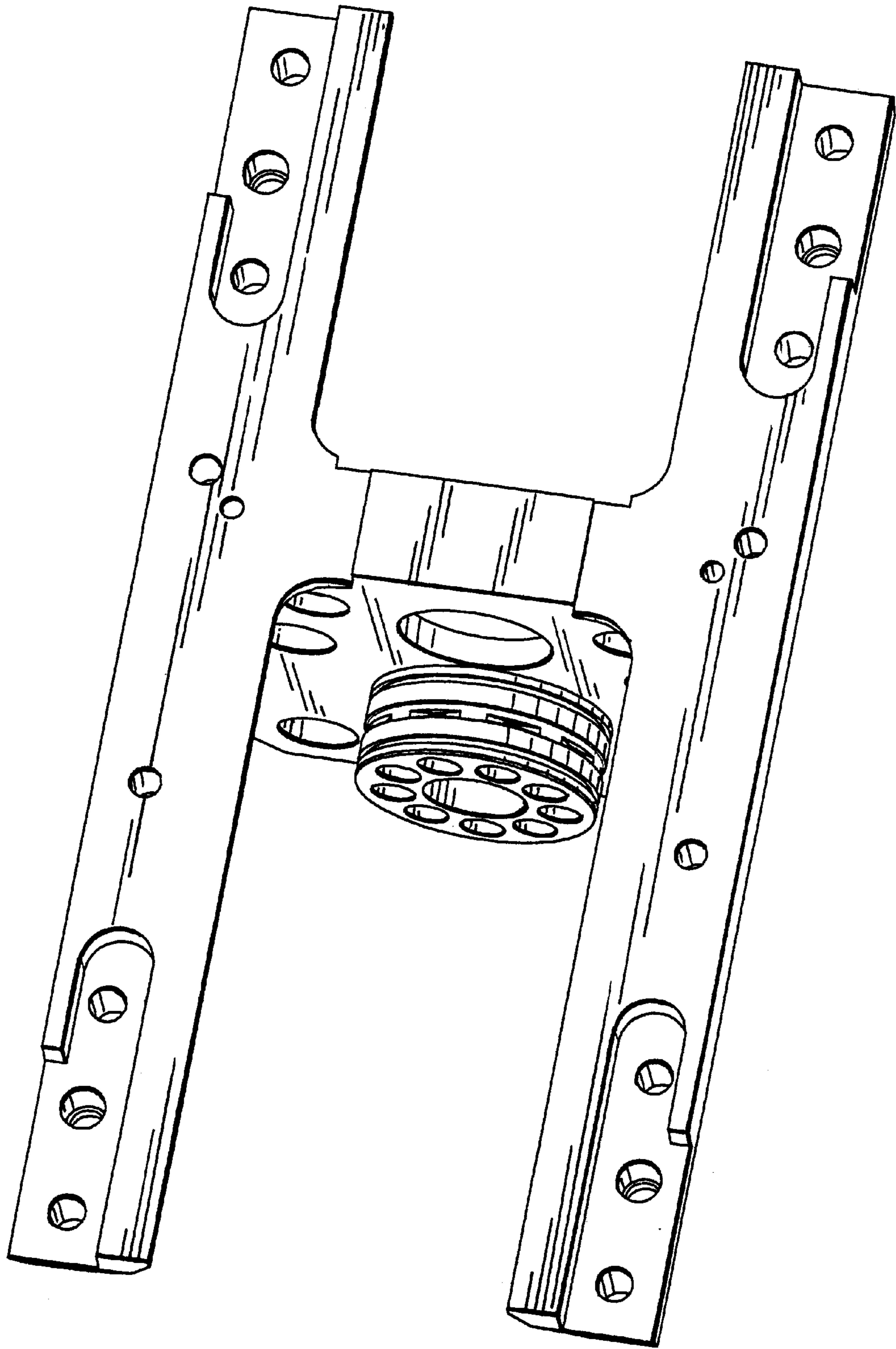


FIG. 7

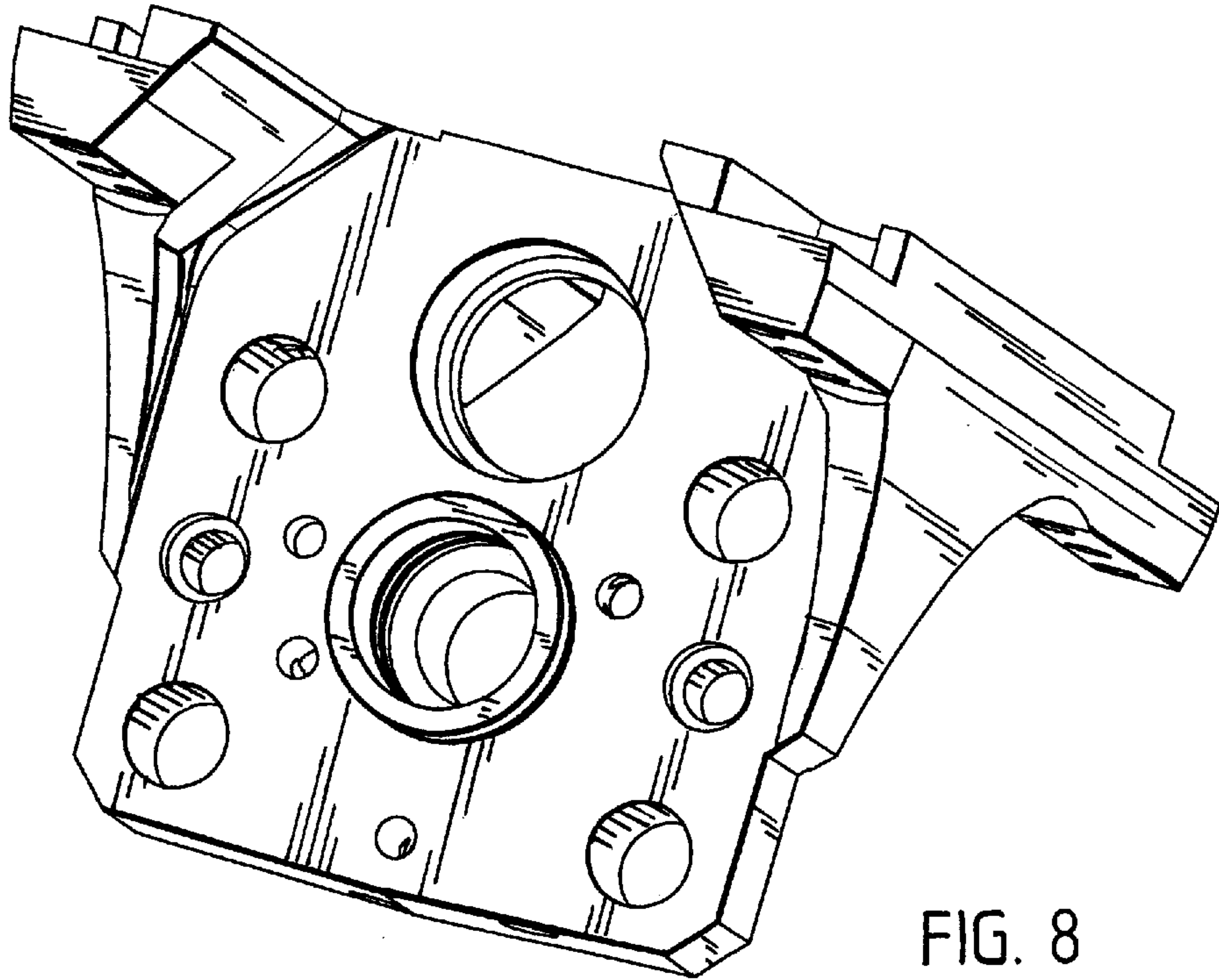


FIG. 8

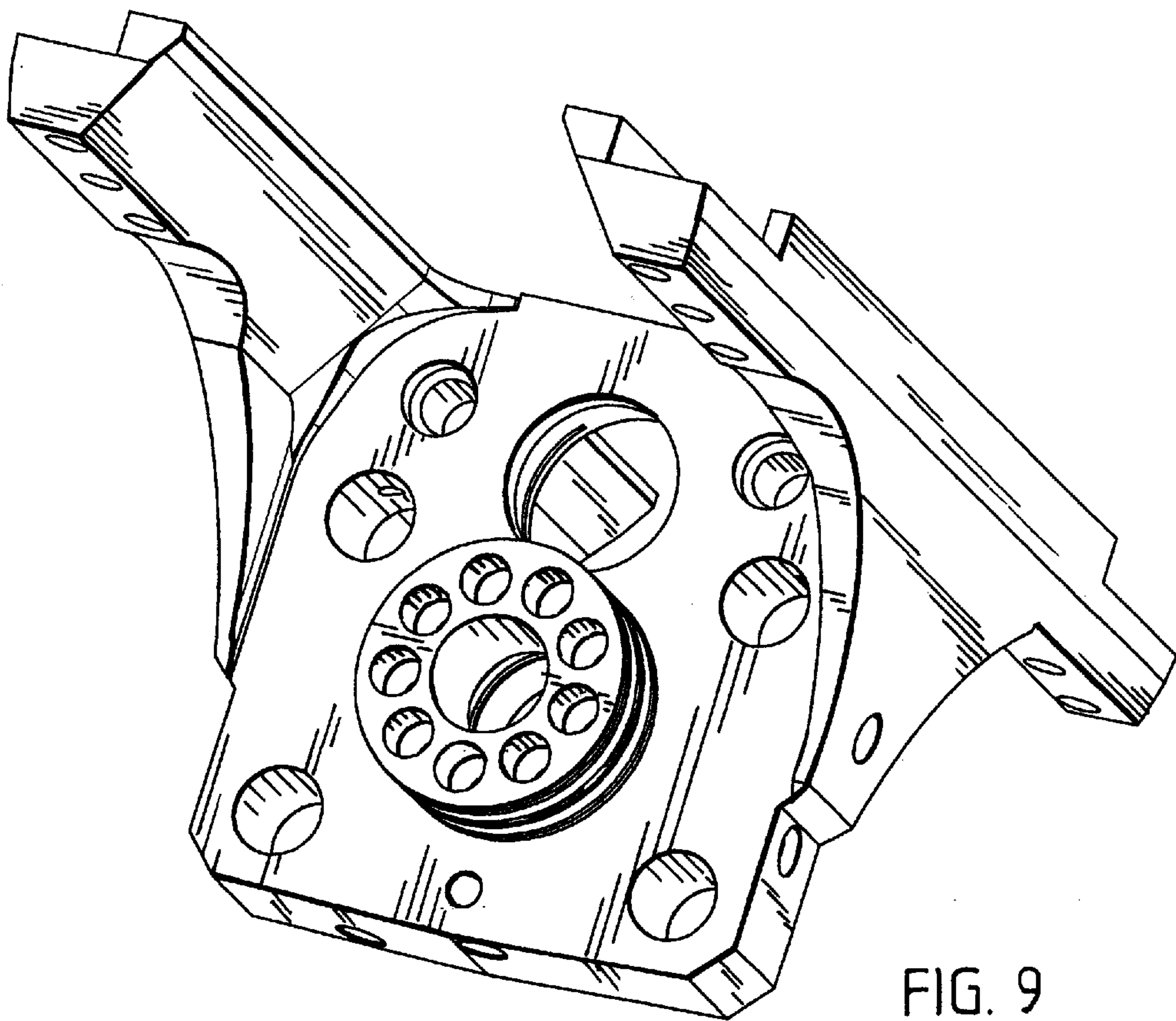


FIG. 9