



US00D439915S

(12) **United States Design Patent**
Wang

(10) **Patent No.:** **US D439,915 S**

(45) **Date of Patent:** **** Apr. 3, 2001**

(54) **DRILL**

5,558,476 * 9/1996 Uchida et al. 408/1 R
6,102,633 * 8/2000 Uehlein-Proctor 408/129

(75) Inventor: **Jack Wang**, Taichung (TW)

* cited by examiner

(73) Assignee: **Palmgren Industrial Corp. Ltd.**,
Taichung Hsien (TW)

Primary Examiner—Antoine Duval Davis
(74) *Attorney, Agent, or Firm*—Charles E. Baxley

(**) Term: **14 Years**

(57) **CLAIM**

(21) Appl. No.: **29/121,421**

The ornamental design for a drill, as shown and described.

(22) Filed: **Apr. 6, 2000**

DESCRIPTION

(51) **LOC (7) Cl.** **15-09**

FIG. 1 is a front-left-top perspective view of a drill showing my new design;

(52) **U.S. Cl.** **D15/132**

FIG. 2 is a front elevational view thereof;

(58) **Field of Search** D15/132; 408/76,
408/135, 136, 710, 77, 91, 109, 6, 9, 16,
129, 1 R, 11, 3

FIG. 3 is a rear elevational view thereof;

FIG. 4 is a right elevational view thereof;

FIG. 5 is a left elevational view thereof;

FIG. 6 is a top plan view thereof; and,

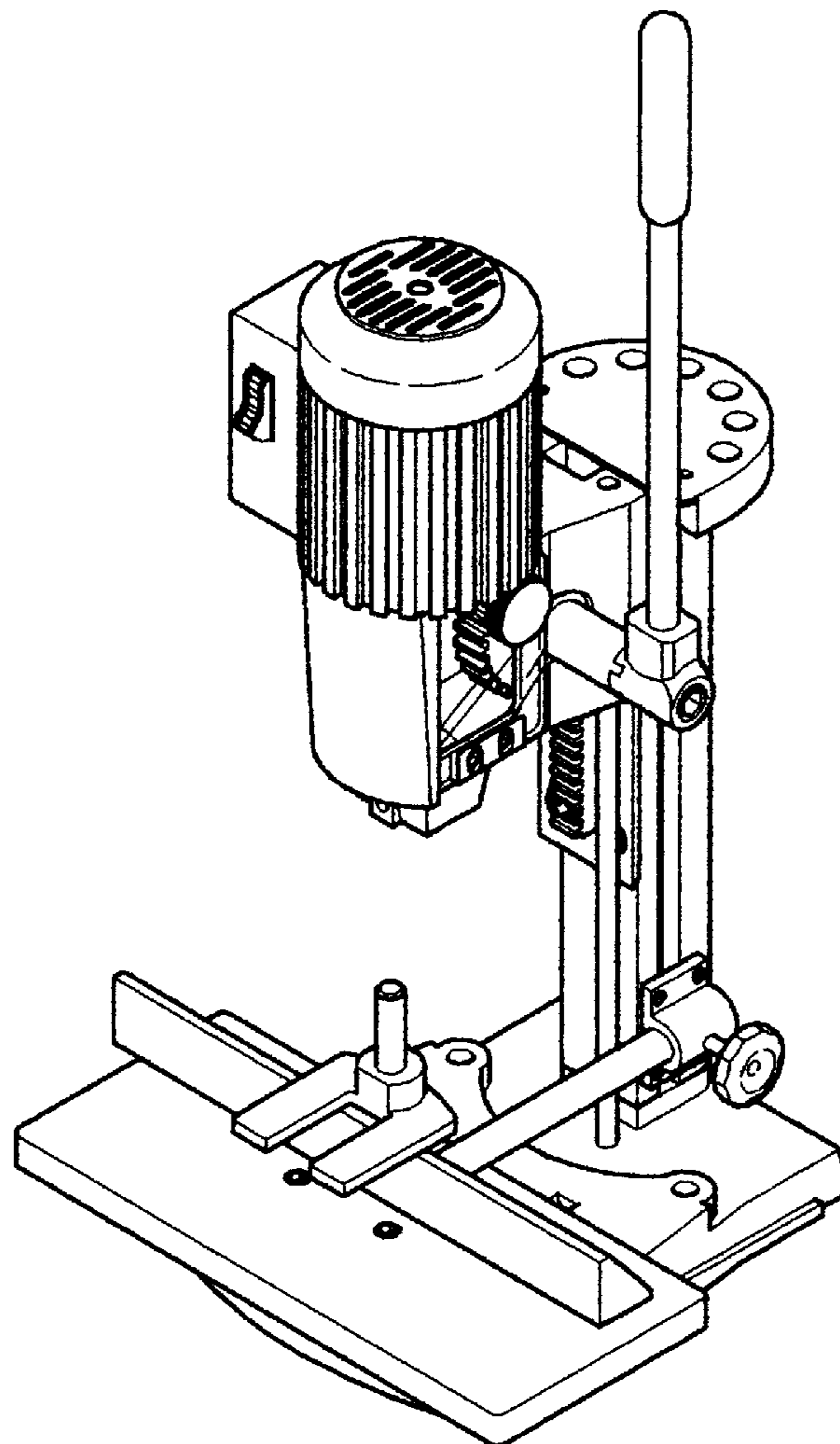
FIG. 7 is a bottom plan view thereof.

(56) **References Cited**

U.S. PATENT DOCUMENTS

- D. 233,168 * 10/1974 Adams D15/132
- D. 359,056 * 6/1995 Karafuji et al. D15/132

1 Claim, 2 Drawing Sheets



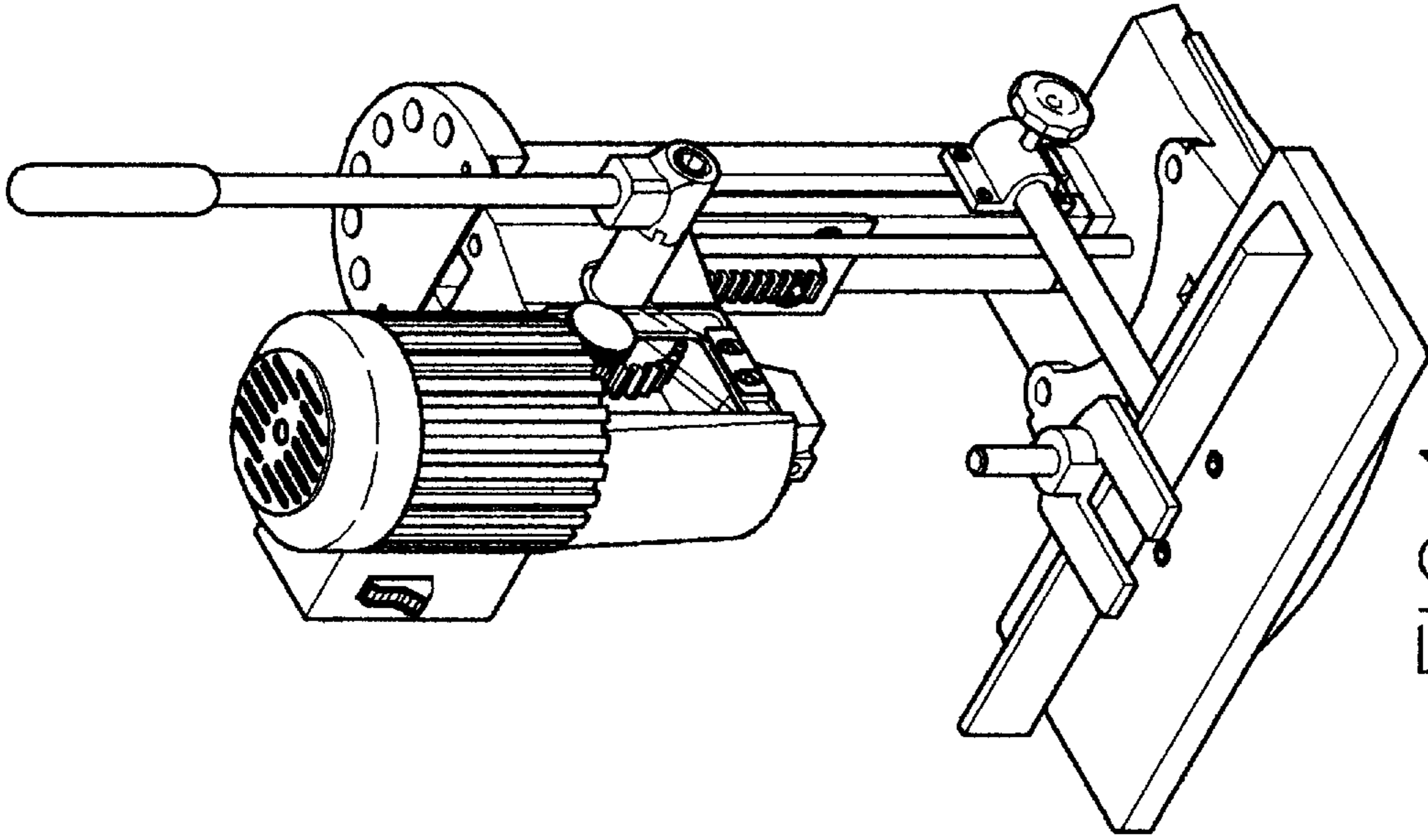


FIG. 1

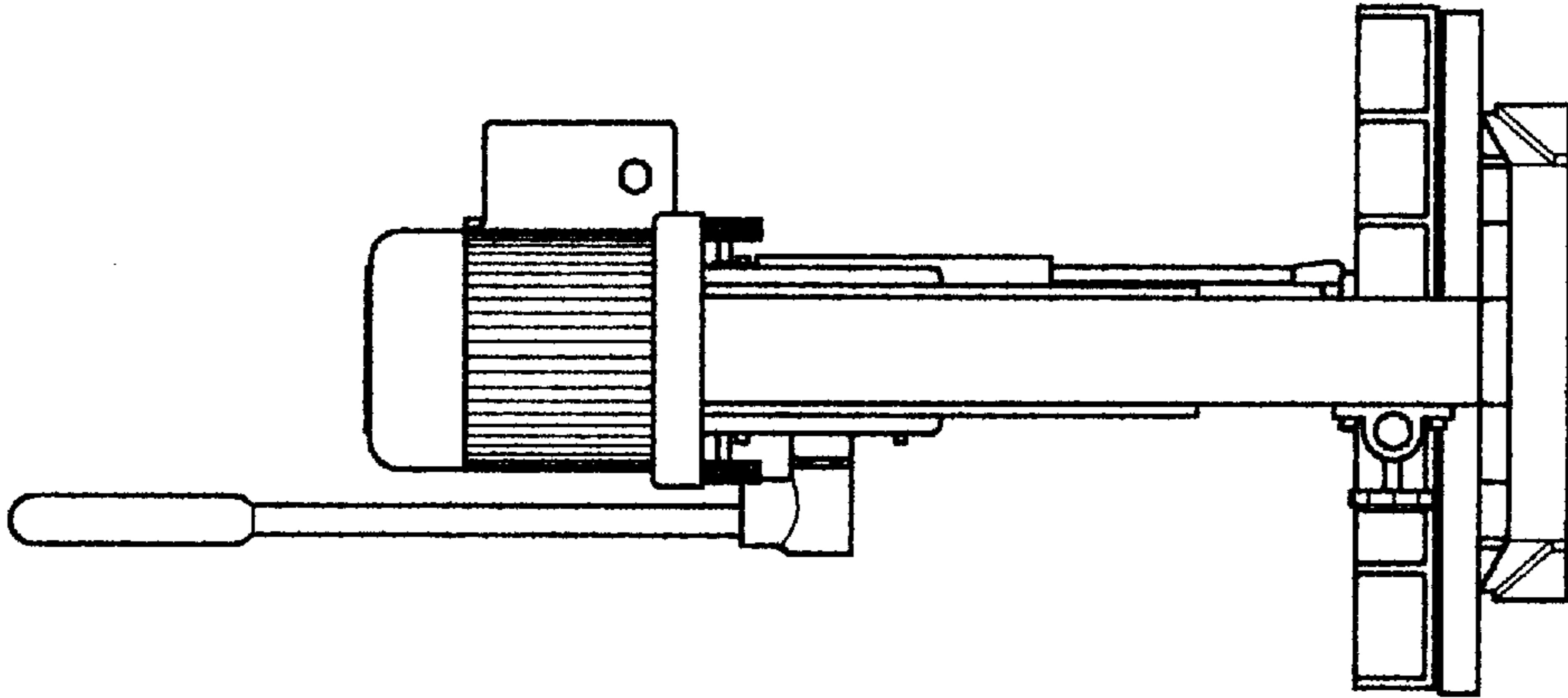


FIG. 3

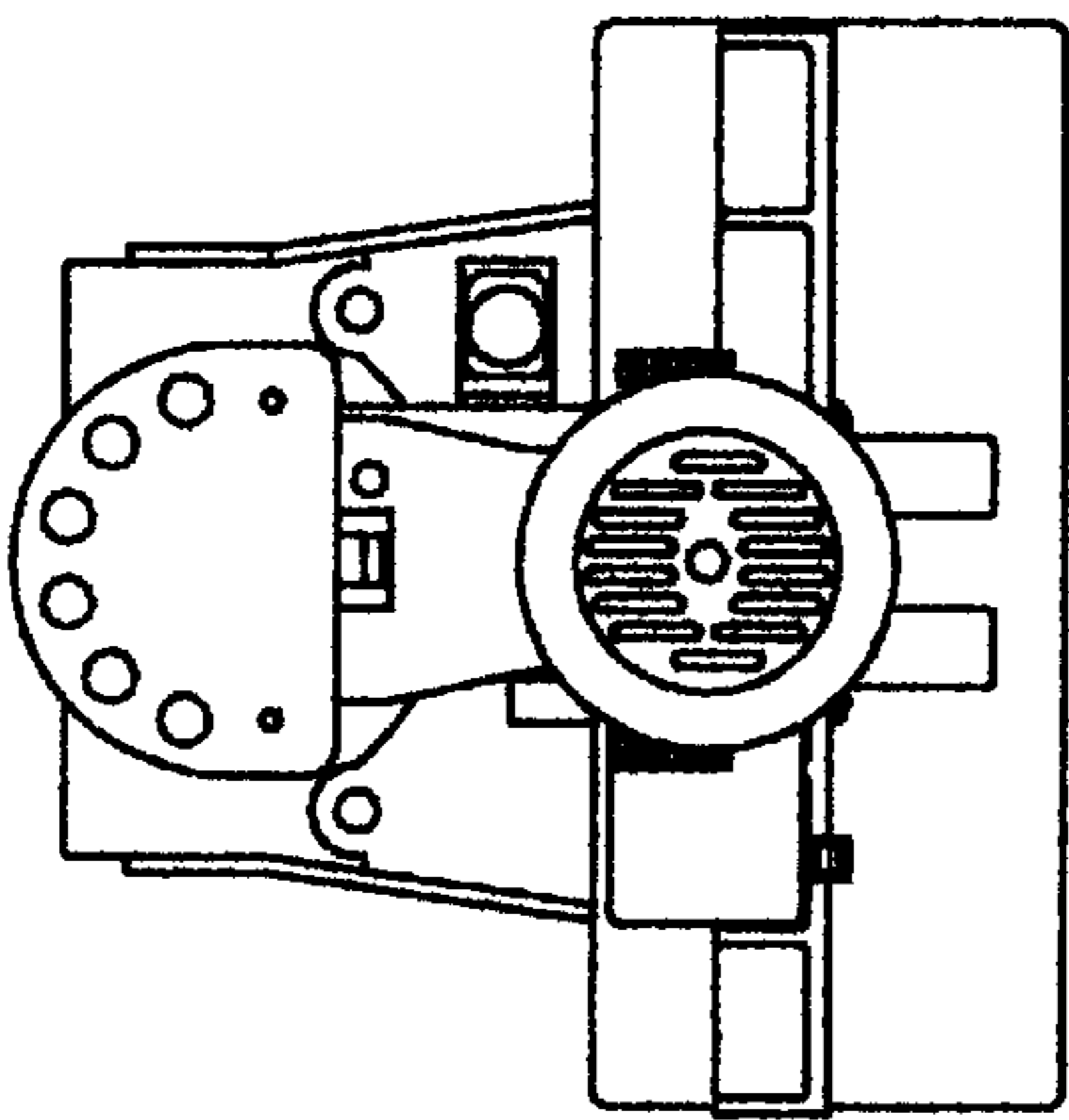


FIG. 6

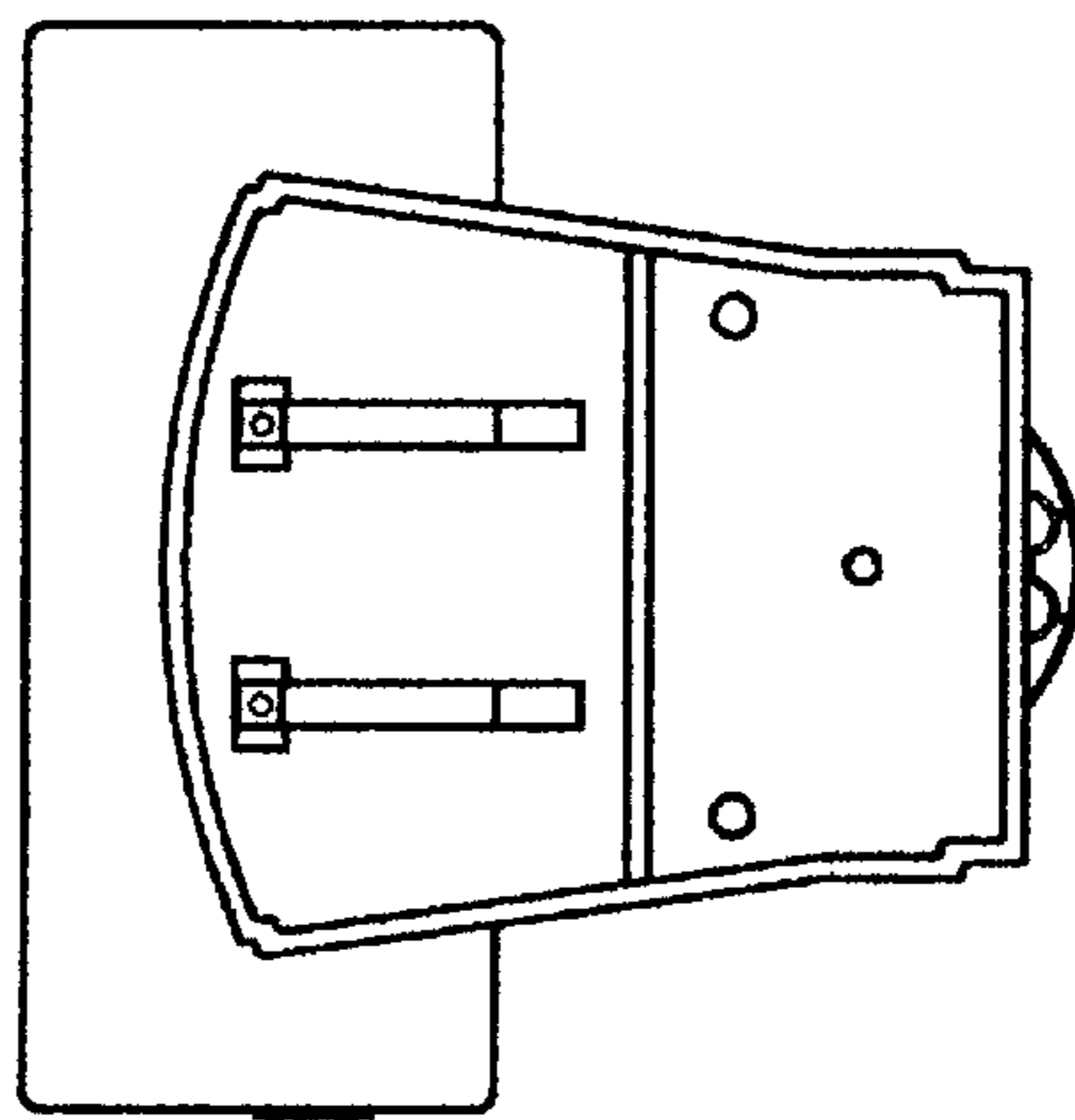


FIG. 7

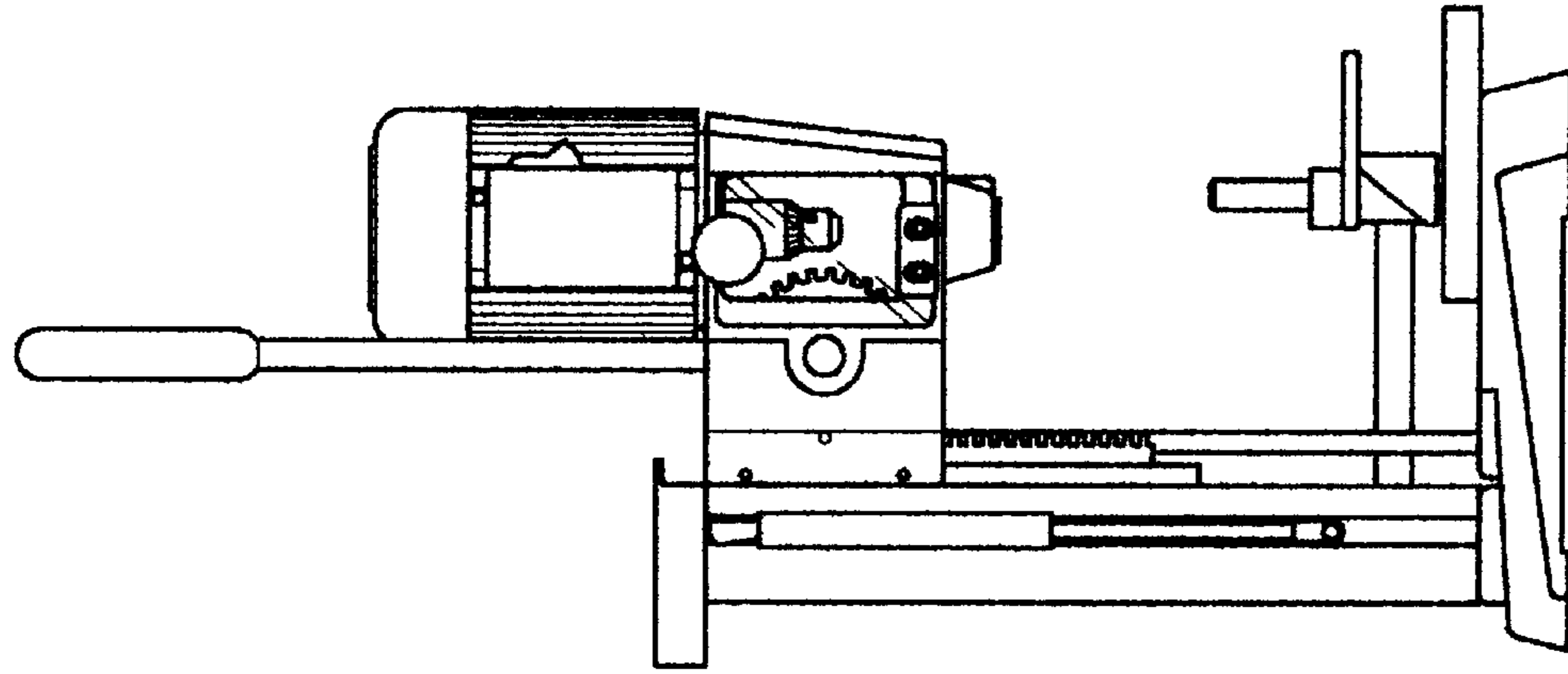


FIG. 5

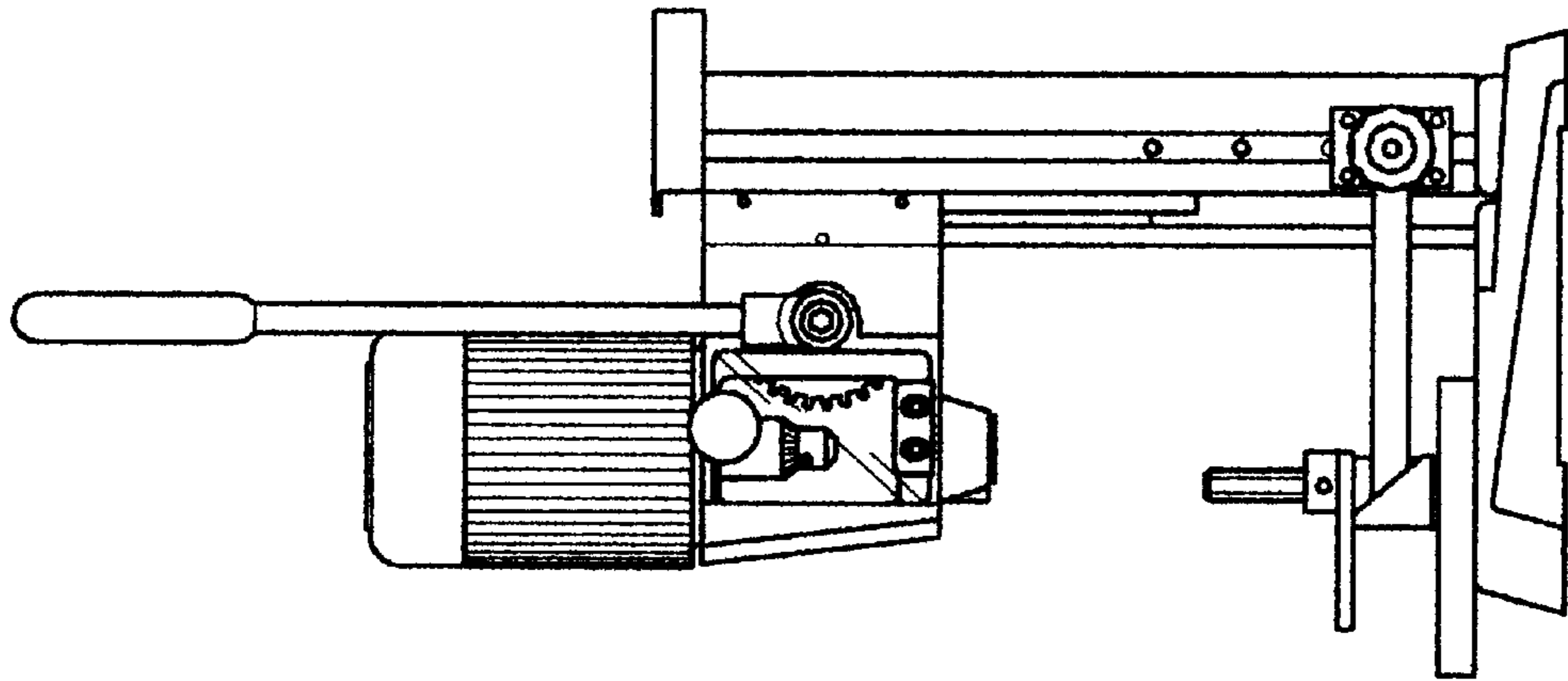


FIG. 4

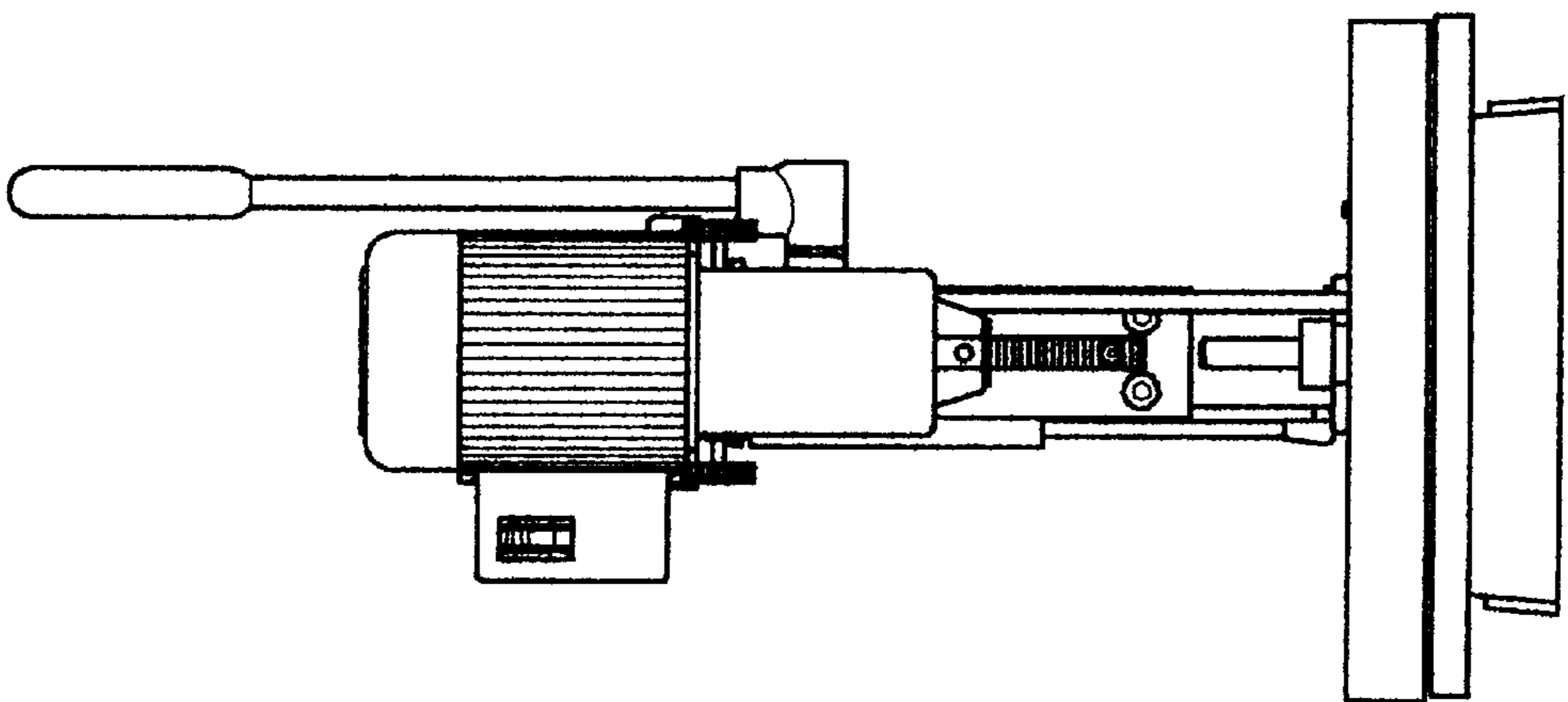


FIG. 2