



US00D439913S

(12) **United States Design Patent**
Jobst

(10) **Patent No.:** **US D439,913 S**

(45) **Date of Patent:** **** Apr. 3, 2001**

(54) **COOLER**

(75) Inventor: **Karl F. Jobst**, Spartanburg, SC (US)

(73) Assignee: **Specialty Equipment Companies, Inc.**,
Aurora, IL (US)

(**) Term: **14 Years**

(21) Appl. No.: **29/104,064**

(22) Filed: **Apr. 27, 1999**

Related U.S. Application Data

(63) Continuation-in-part of application No. 29/104,000, filed on
Apr. 26, 1999.

(51) **LOC (7) Cl.** **15-07**

(52) **U.S. Cl.** **D15/84**

(58) **Field of Search** D15/79-91; 312/116,
312/138.1, 401, 402, 404, 405, 405.1; 62/246,
251, 248, 449, 440, 441

(56) **References Cited**

U.S. PATENT DOCUMENTS

- D. 189,843 * 3/1961 Rhoads .
- 1,647,785 * 11/1927 Coughlin .
- 2,112,599 * 3/1938 Heitman .
- 2,276,635 * 3/1942 Weber .
- 3,759,059 * 9/1973 Kenyon 62/246

OTHER PUBLICATIONS

- Beverage-Air Curve dated May 12, 1997.
- Beverage-Air Stylized Curve dated May 12, 1997.
- Beverage-Air Flat dated May 12, 1997.

* cited by examiner

Primary Examiner—B. J. Bullock

(74) *Attorney, Agent, or Firm*—Dority & Manning, P.A.

(57) **CLAIM**

The ornamental design for a cooler, substantially as shown and described.

DESCRIPTION

FIG. 1 is a perspective view of a cooler embodying the design of the present invention.

FIG. 2 is an enlarged front elevational view of the cooler illustrated in FIG. 1.

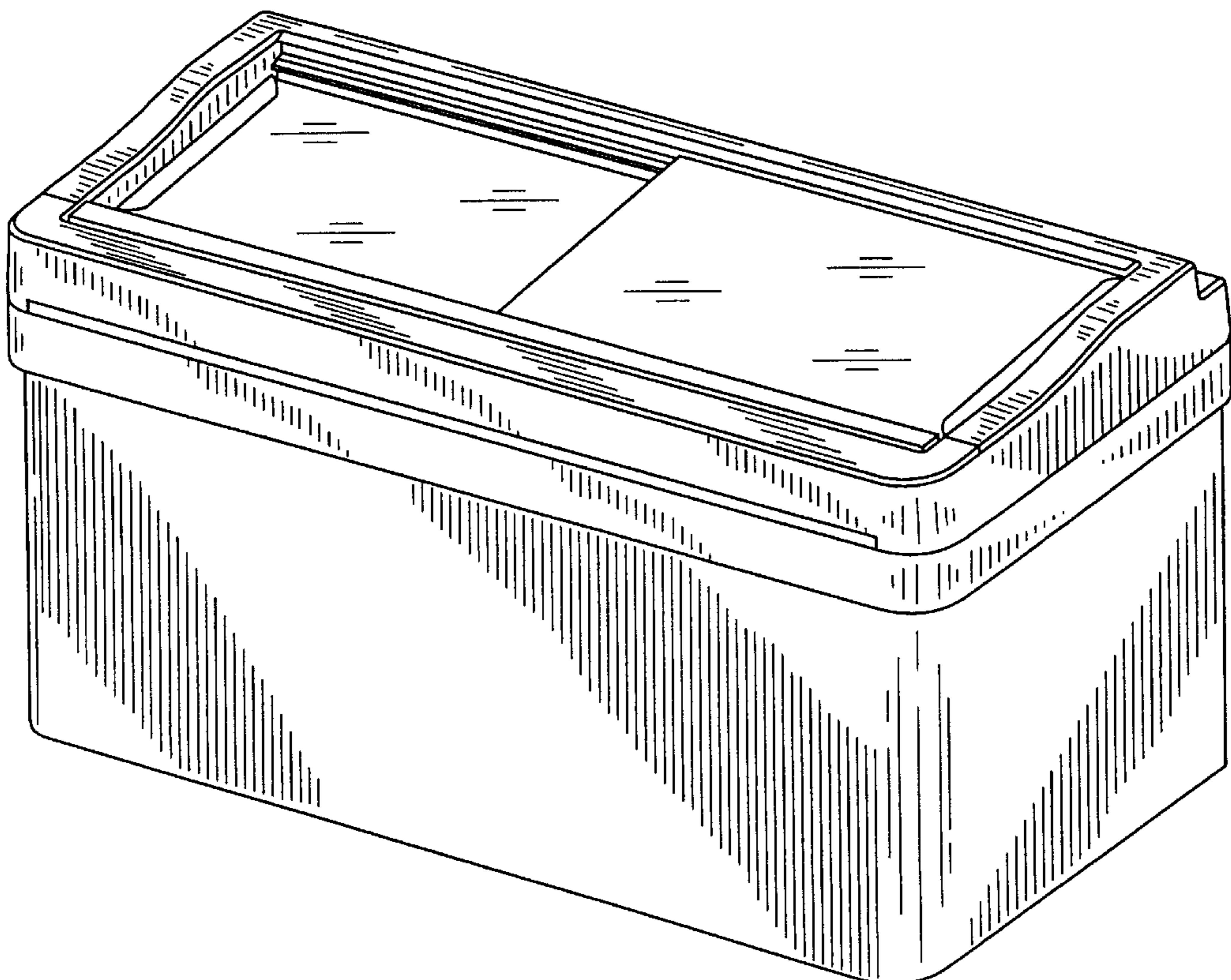
FIG. 3 is an enlarged right side elevational view of the cooler illustrated in FIG. 1, the left side being a mirror image thereof.

FIG. 4 is an enlarged top plan view of the cooler illustrated in FIG. 1.

FIG. 5 is an enlarged rear elevational view of the cooler illustrated in FIG. 1; and,

FIG. 6 is an enlarged bottom plan view of the cooler illustrated in FIG. 1.

1 Claim, 4 Drawing Sheets



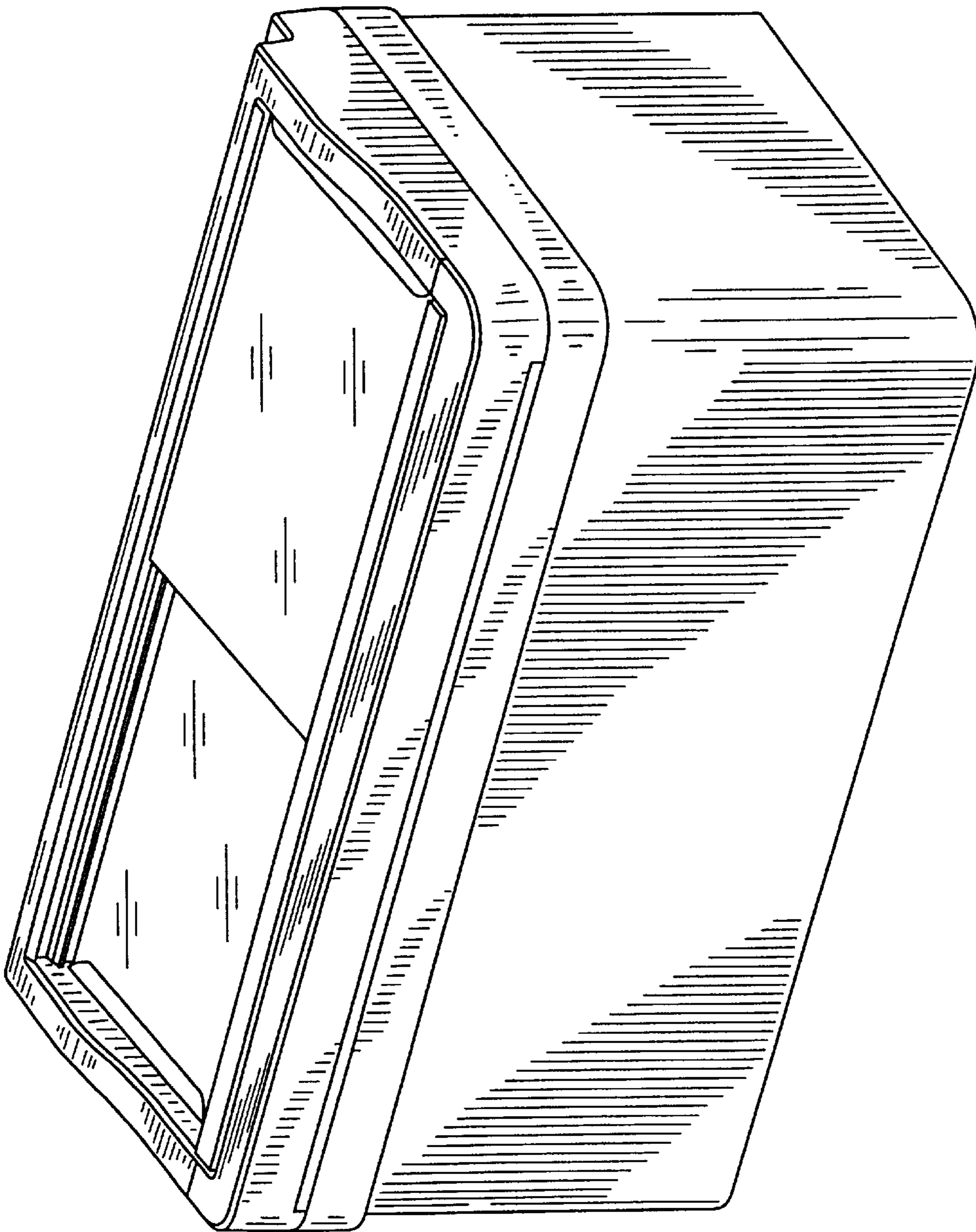


FIG. 1

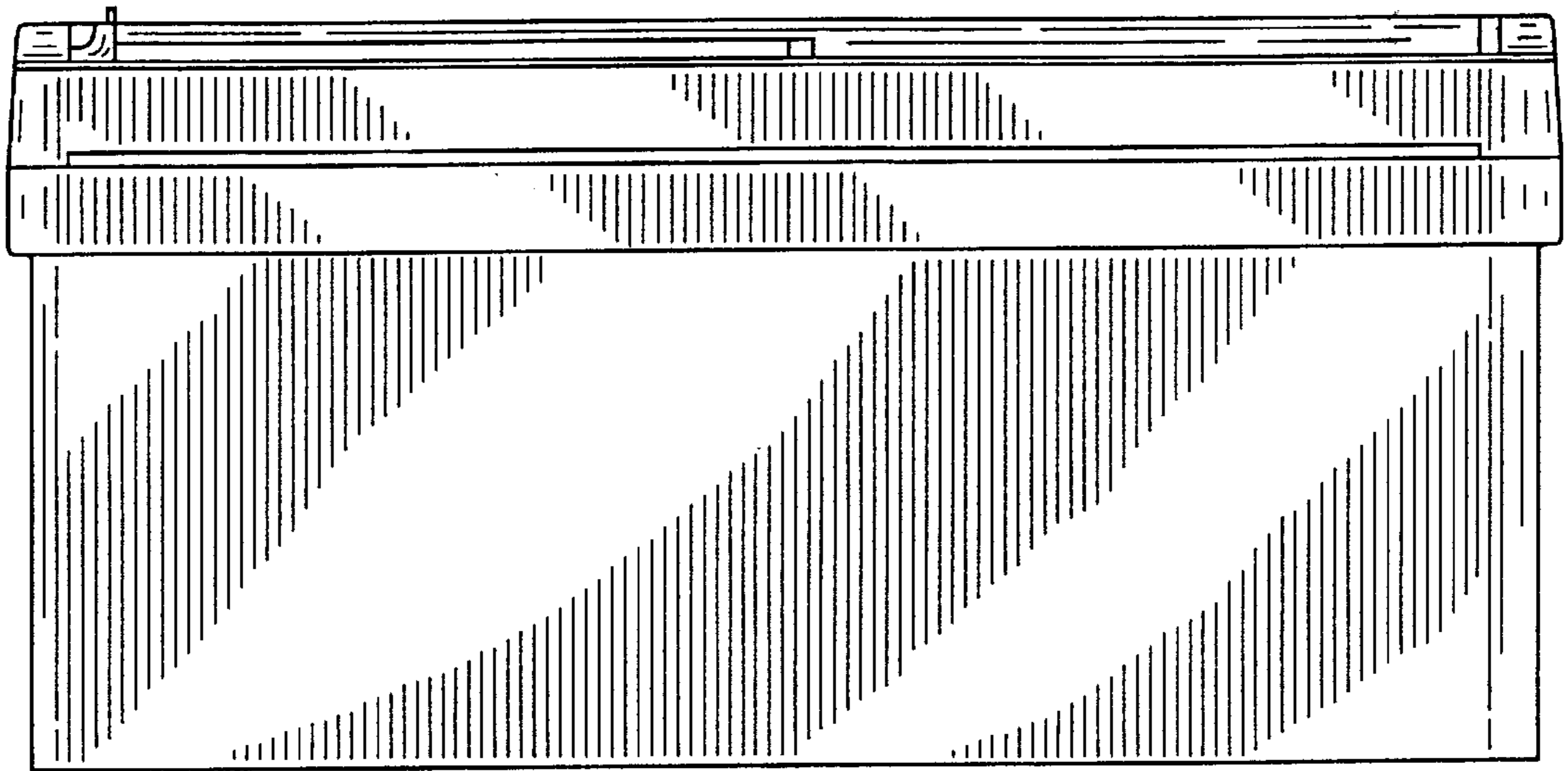


FIG. 2

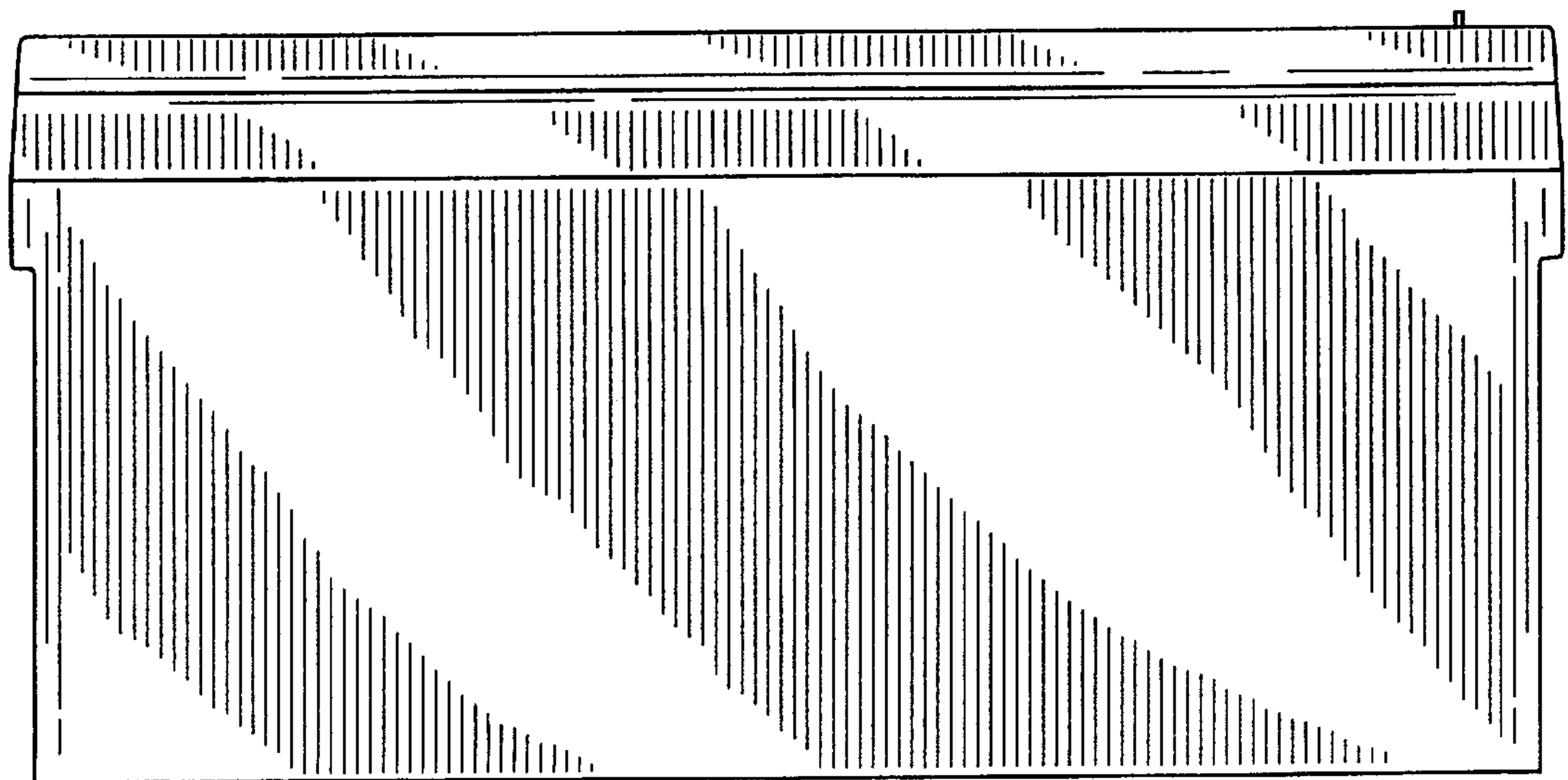


FIG. 5

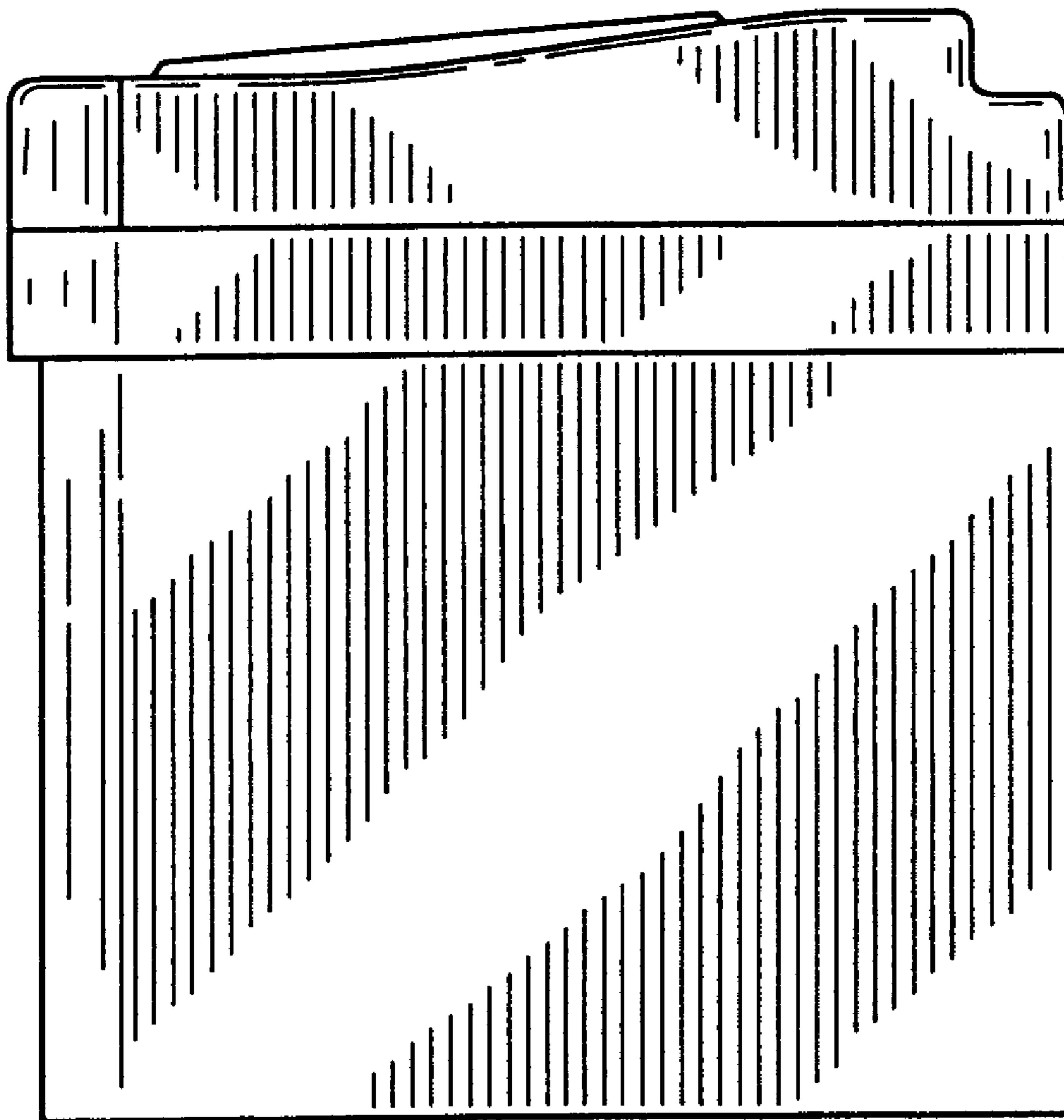


FIG. 3

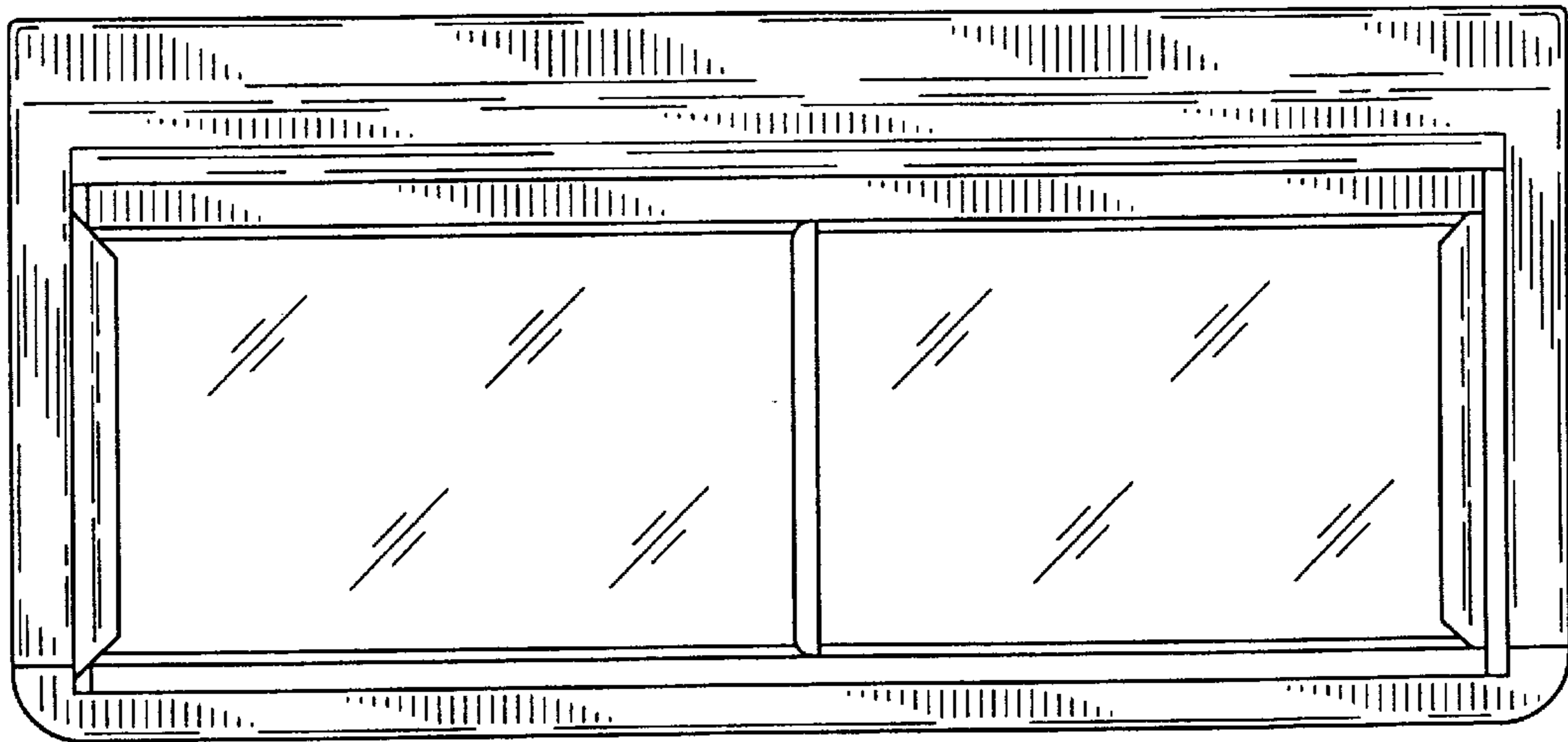


FIG. 4

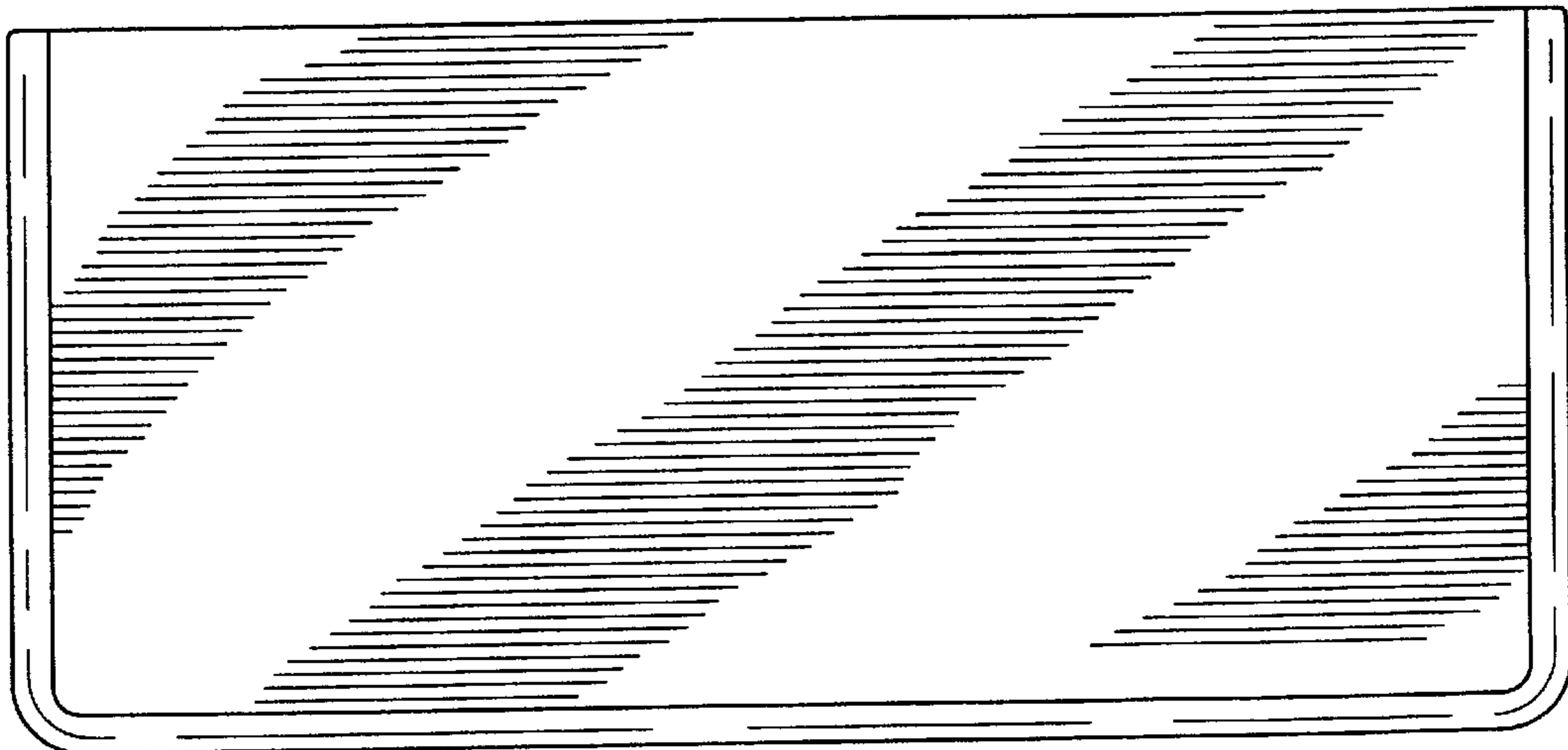


FIG. 6