



US00D439911S

(12) **United States Design Patent**
Peterson

(10) **Patent No.:** **US D439,911 S**

(45) **Date of Patent:** **** Apr. 3, 2001**

(54) **COMPACT KEYBOARD TRAY ASSEMBLY**

(76) Inventor: **Graham Peterson**, 19 Hooper Creek Rd., Tryon, NC (US) 28782

(**) Term: **14 Years**

(21) Appl. No.: **29/112,925**

(22) Filed: **Oct. 26, 1999**

(51) **LOC (7) Cl.** **14-02**

(52) **U.S. Cl.** **D14/457**

(58) **Field of Search** D14/455-7; D19/86, D19/92, 95; D6/406, 420, 509, 511, 436, 430; 211/153; 248/917-24, 118.3, 118, 118.1

(56) **References Cited**

U.S. PATENT DOCUMENTS

- D. 288,097 * 2/1987 Harter et al. .
- D. 306,239 * 2/1990 Watt .
- D. 339,703 * 9/1993 Pangborn et al. .
- D. 392,956 * 3/1998 Gillis .
- D. 402,644 * 12/1998 Oxford et al. .
- D. 427,165 * 7/2000 Knoblauch .
- 4,709,972 * 12/1987 LaBudde et al. .

* cited by examiner

Primary Examiner—M. H. Tung

(74) *Attorney, Agent, or Firm*—Flint & Kim, P.A.

(57) **CLAIM**

The ornamental design for a compact keyboard tray assembly, as shown and described.

DESCRIPTION

FIG. 1 is a left, front perspective view of a compact keyboard tray assembly illustrating my new design with the keyboard tray assembly in a stored position, the broken line drawing of a housing is for illustrative purposes only and forms no part of the claimed design, the right, rear perspective view is identical;

FIG. 2 is a left, front perspective view thereof, the keyboard tray assembly in a pulled out position, the broken line drawing of a housing is for illustrative purposes only and forms no part of the claimed design, the right, front perspective view is a mirror image; and,

FIG. 3 is a left, front perspective view thereof, the keyboard tray assembly in another pulled out position, the broken line drawing of a housing is for illustrative purposes only and forms no part of the claimed design, the right, front perspective view is a mirror image.

1 Claim, 2 Drawing Sheets

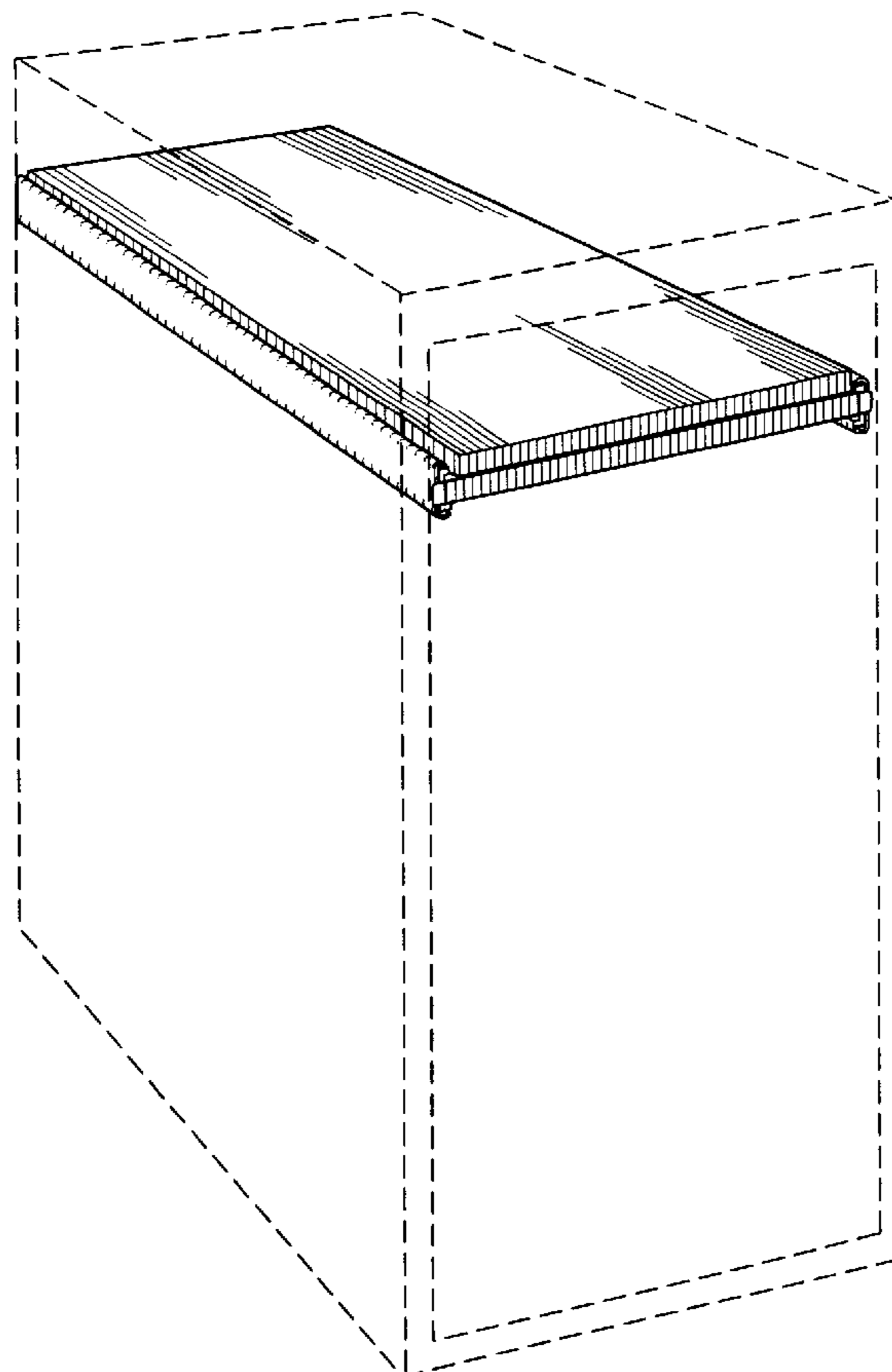


Fig. 1

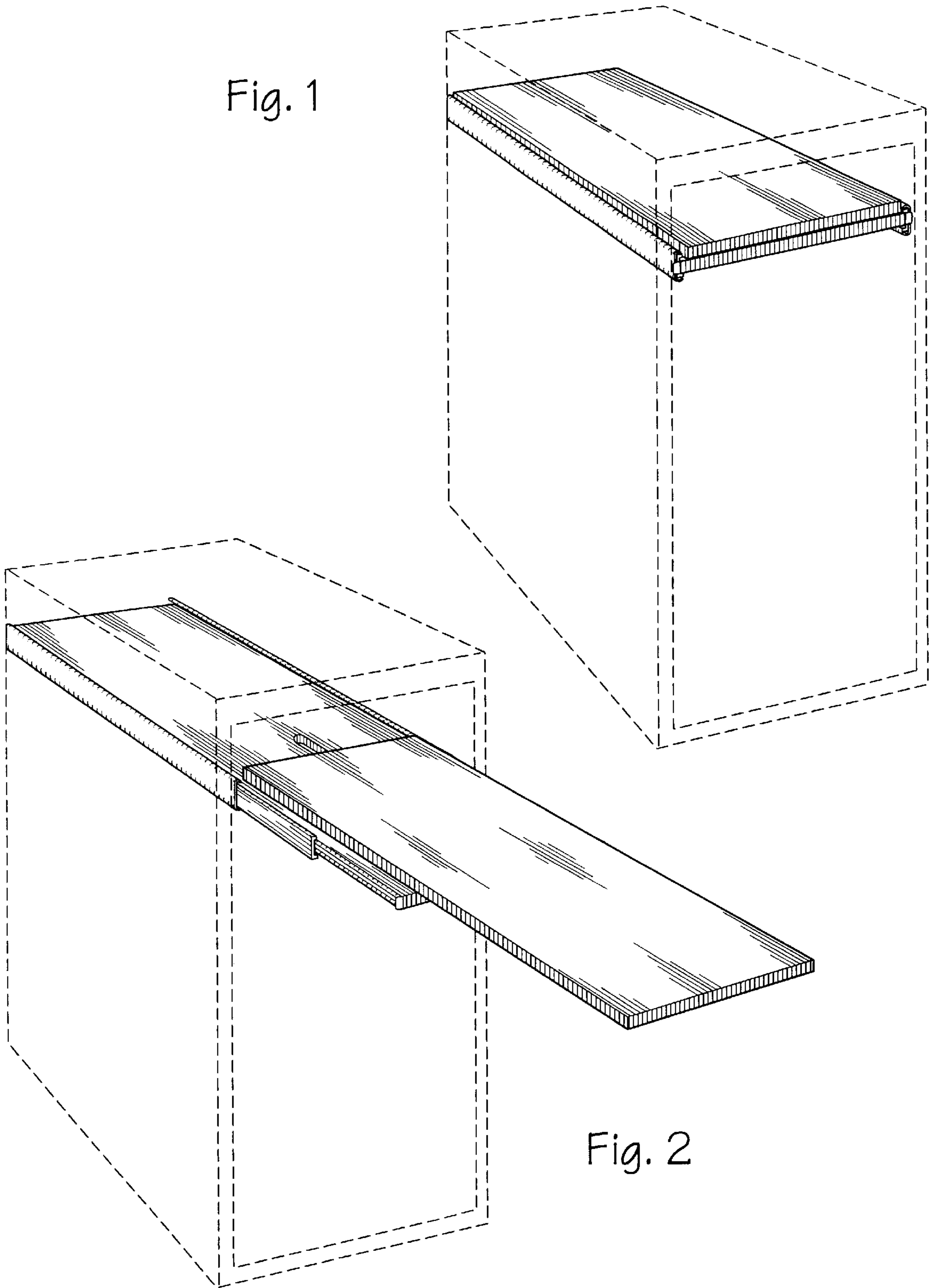


Fig. 2

Fig. 3

