



US00D439908S

(12) **United States Design Patent**
Gozani

(10) **Patent No.:** **US D439,908 S**

(45) **Date of Patent:** **** Apr. 3, 2001**

(54) **DOCKING STATION FOR A HAND-HELD MONITOR**

* cited by examiner

(76) **Inventor:** **Shai N. Gozani**, 1574 Beacon St., Apt 1, Brookline, MA (US) 02446

Primary Examiner—M. H. Tung

(74) *Attorney, Agent, or Firm*—Testa, Hurwitz & Thibault, LLP

(**) **Term:** **14 Years**

(57) **CLAIM**

(21) **Appl. No.:** **29/121,172**

The ornamental design of a docking station for a hand-held monitor, as shown and described.

(22) **Filed:** **Mar. 31, 2000**

DESCRIPTION

(51) **LOC (7) Cl.** **14-02**

(52) **U.S. Cl.** **D14/434**

(58) **Field of Search** D14/434, 435, D14/356, 358, 142, 138, 149; D13/108, 107; 345/130, 156, 173, 168, 901, 905; 361/683, 679-82, 724-7

FIG. 1 is a perspective view of an embodiment of a docking station for a hand held monitor;

FIG. 2 is a front elevational view of the embodiment of FIG. 1;

FIG. 3 is a side elevational view of the embodiment of FIG. 1, the opposite side is a mirror image thereof;

FIG. 4 is a rear elevational view of the embodiment of FIG. 1;

FIG. 5 is a top plan view of the embodiment of FIG. 1; and, FIG. 6 is a bottom plan view of the embodiment of FIG. 1.

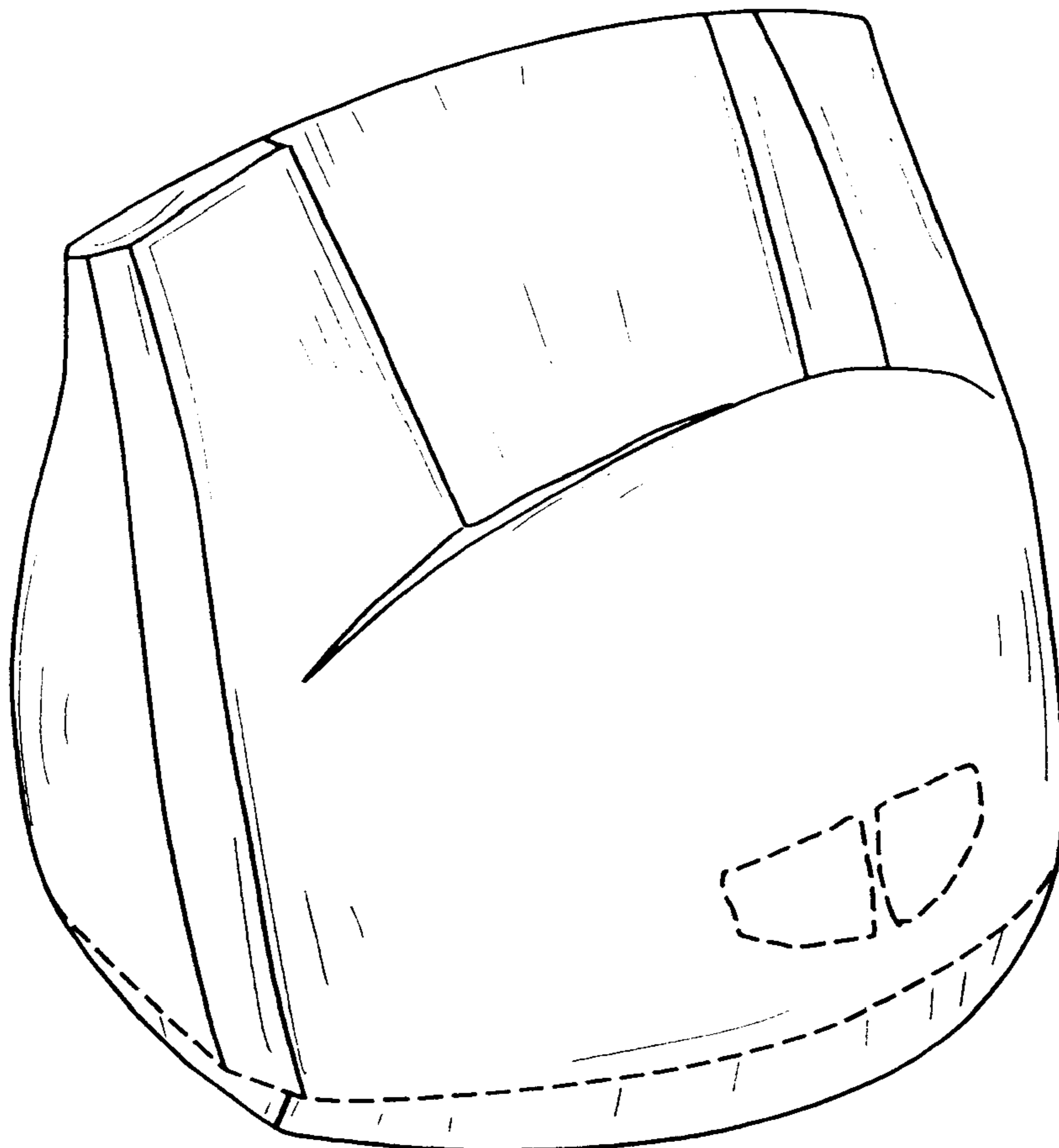
The portion of the article shown in broken lines throughout the views is for illustrative purposes only and forms no part of the claimed design.

(56) **References Cited**

U.S. PATENT DOCUMENTS

- D. 317,911 * 7/1991 Yokoi .
- D. 353,131 * 12/1994 Nagele .
- D. 361,979 * 9/1995 Shirakawa et al. .
- D. 376,585 * 12/1996 Wathen et al. .
- D. 400,589 * 11/1998 Ham .
- D. 411,898 * 7/1999 Grossman et al. .
- D. 420,651 * 2/2000 Lee et al. .

1 Claim, 2 Drawing Sheets



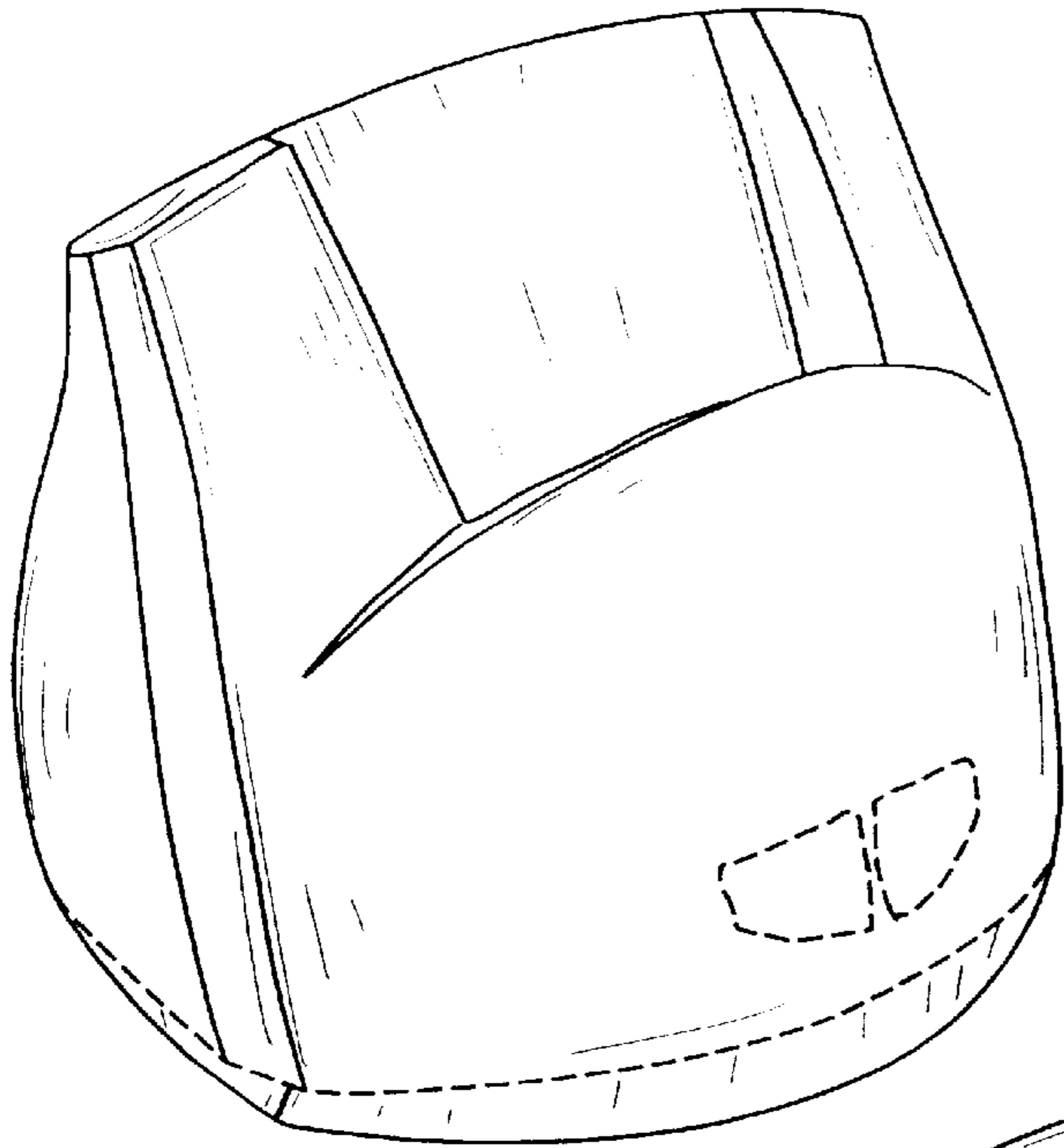


FIG. 1

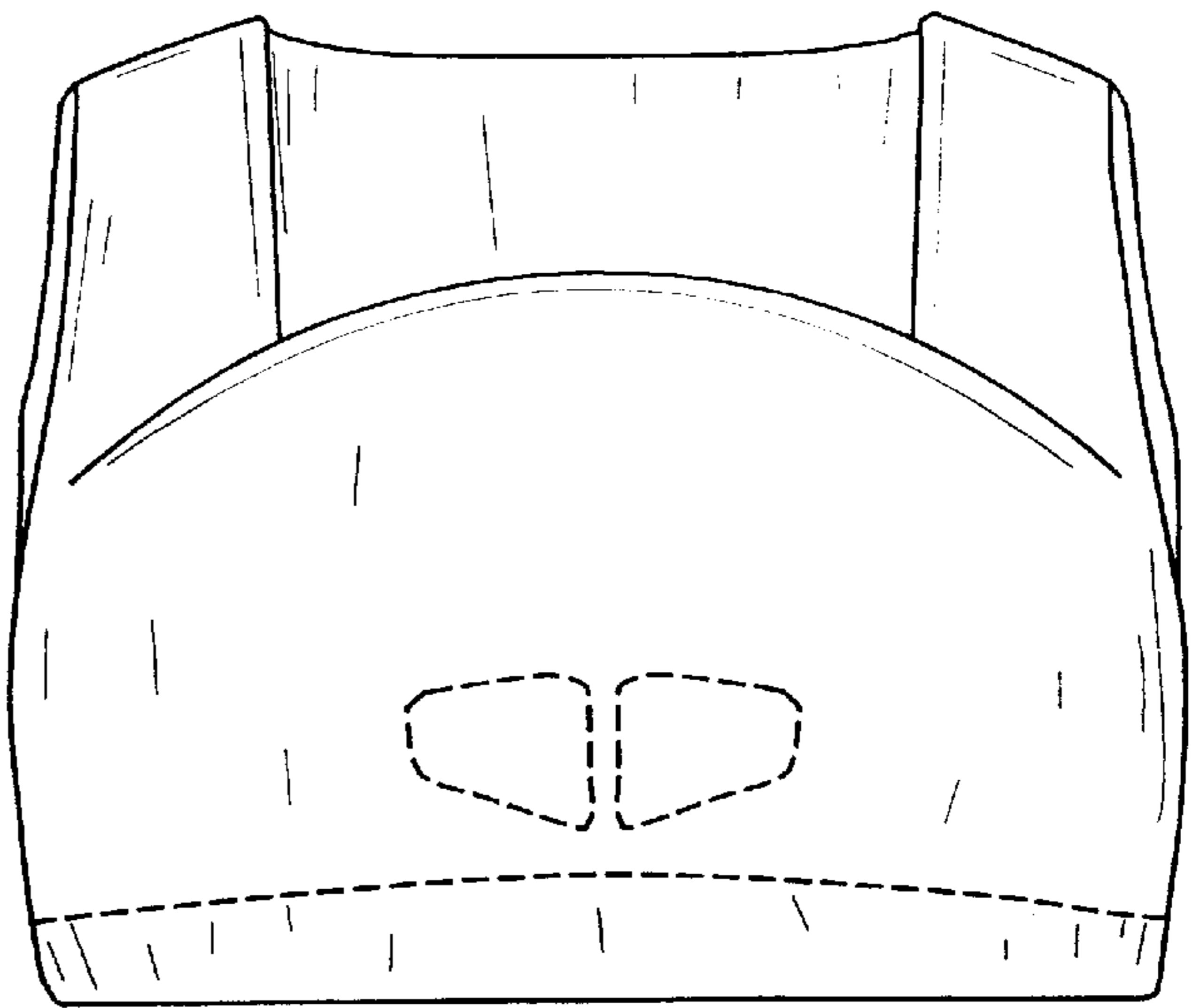


FIG. 2

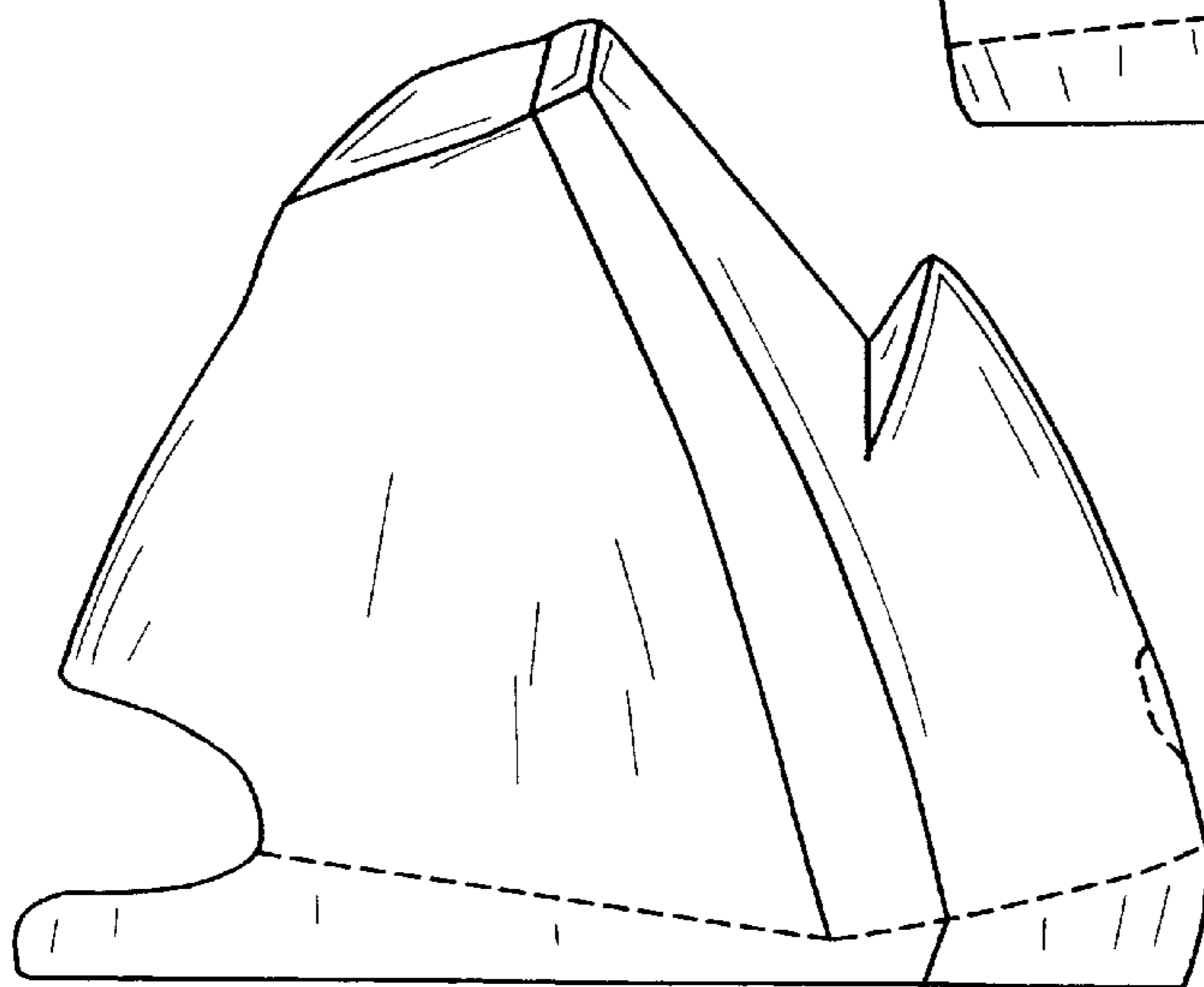


FIG. 3

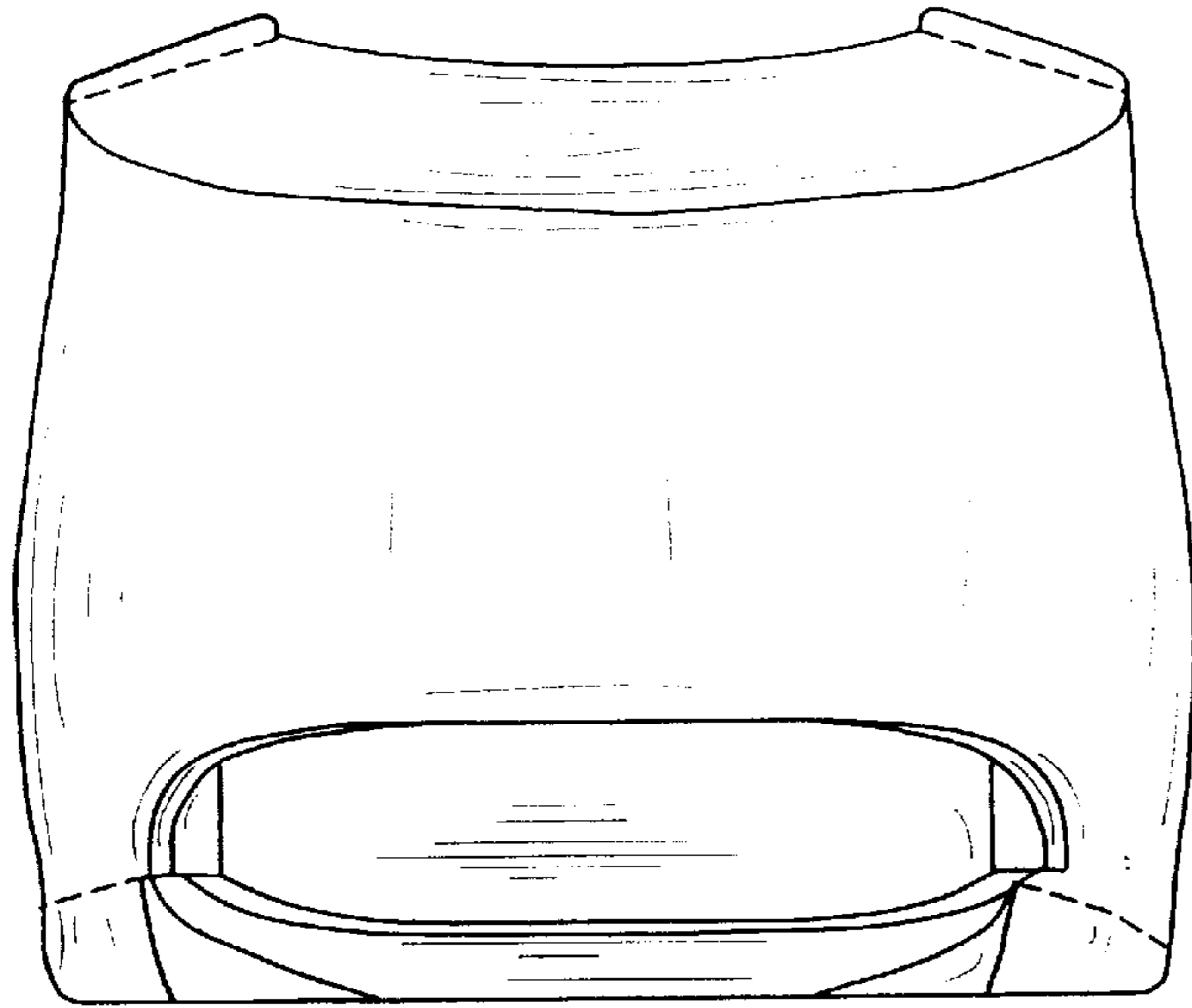


FIG. 4

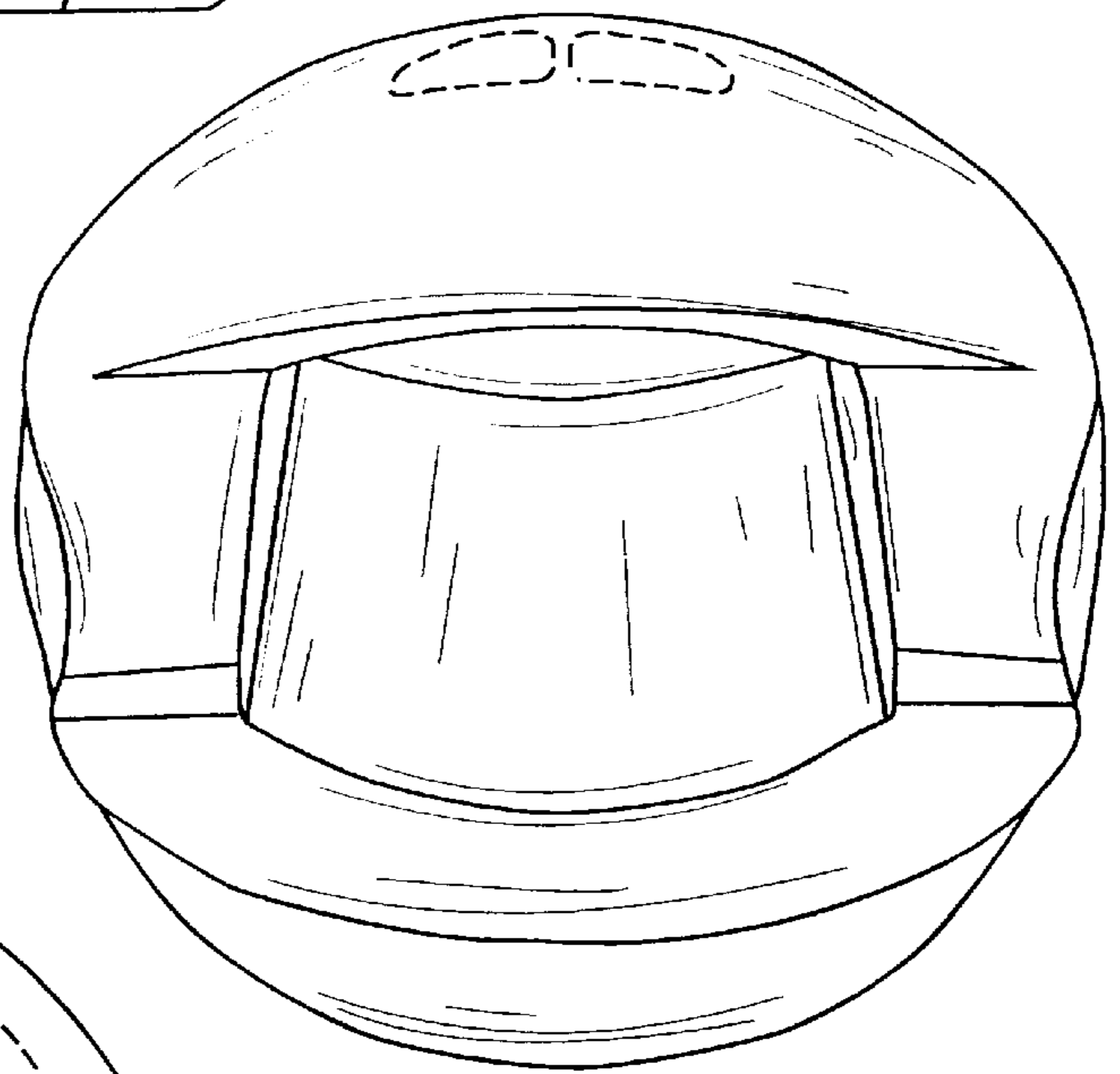


FIG. 5

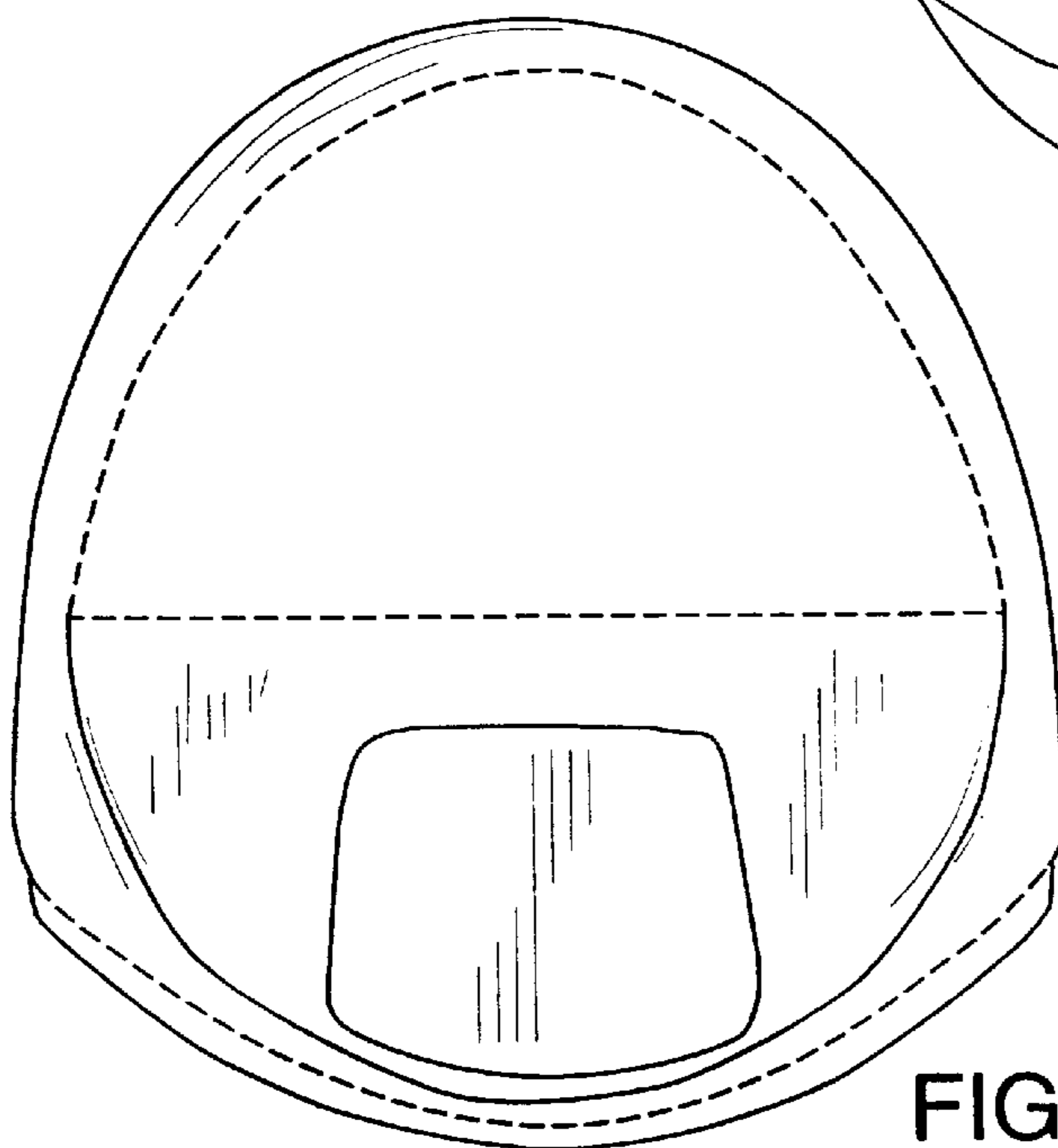


FIG. 6