



US00D439903S

(12) **United States Design Patent**
Kaneko et al.

(10) **Patent No.: US D439,903 S**

(45) **Date of Patent: ** Apr. 3, 2001**

(54) **KEYBOARD**

(75) Inventors: **Steve T. Kaneko; Jonathan A. Hayes**, both of Seattle, WA (US); **Phil Frank**, Portland, OR (US); **Jan Hippen**, Portland, OR (US); **I-Chiang Sun**, Portland, OR (US)

(73) Assignee: **Microsoft Corporation**, Redmond, WA (US)

(**) Term: **14 Years**

(21) Appl. No.: **29/121,058**

(22) Filed: **Mar. 31, 2000**

(51) **LOC (7) Cl. 14-02**

(52) **U.S. Cl. D14/396**

(58) **Field of Search** D14/391, 392, D14/396; D18/1, 2, 7; 178/17 A, 17 C; 200/5 A, 5 R, 6 A, 6 R; 235/145 A, 145 R; 345/168; 341/22, 23

(56) **References Cited**

U.S. PATENT DOCUMENTS

D. 381,016	7/1997	Paull et al. .	
D. 386,170	* 11/1997	Peng	D14/396
D. 397,688	* 9/1998	Goto	D14/396
D. 410,454	6/1999	Chen .	
D. 410,640	6/1999	Henderson et al. .	
D. 417,210	11/1999	Prokop .	
D. 426,834	6/2000	Der .	
D. 428,613	7/2000	Chen .	
D. 428,888	8/2000	Ledbetter et al. .	
D. 428,889	8/2000	Chen .	

OTHER PUBLICATIONS

“Logitech Product Information” Cordless Desktop Pro, Cordless Desktop iTouch, Cordless iTouch Keyboard, Internet Keyboard, Deluxe 104 Keyboard, New Touch Keyboard, New Touch Compact Keyboard, Oct. 1999.

“Year 2000 Computer Product Catalog,” Corporate Office Solutions pp. 154, and 155, 1999.

* cited by examiner

Primary Examiner—Freda Nunn

(74) *Attorney, Agent, or Firm*—Banner & Witcoff, Ltd.

(57) **CLAIM**

The ornamental design for a keyboard, as shown and described.

DESCRIPTION

FIG. 1 is a perspective view of a keyboard showing our new design;

FIG. 2 is a top plan view thereof;

FIG. 3 is a left side elevational view thereof;

FIG. 4 is a right side elevational view thereof;

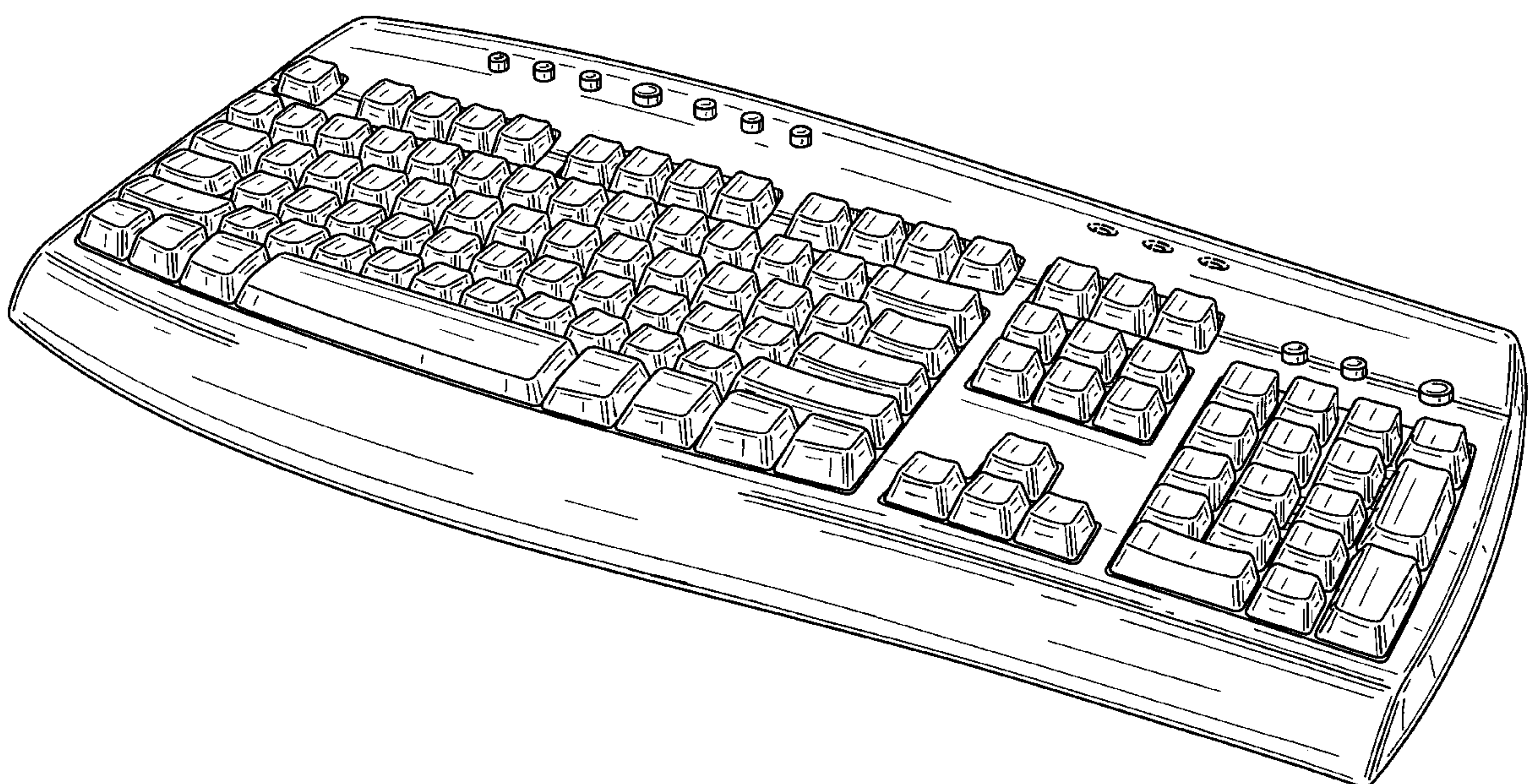
FIG. 5 is a front elevational view thereof;

FIG. 6 is a rear elevational view thereof; and,

FIG. 7 is a perspective view of a keyboard similar to FIG. 1 with eight additional keys shown and disclaimed showing our new design.

The bottom of the keyboard forms no part of the claimed design. The broken line disclosure in all views is for illustrative purposes only and forms no part of the claimed design.

1 Claim, 5 Drawing Sheets



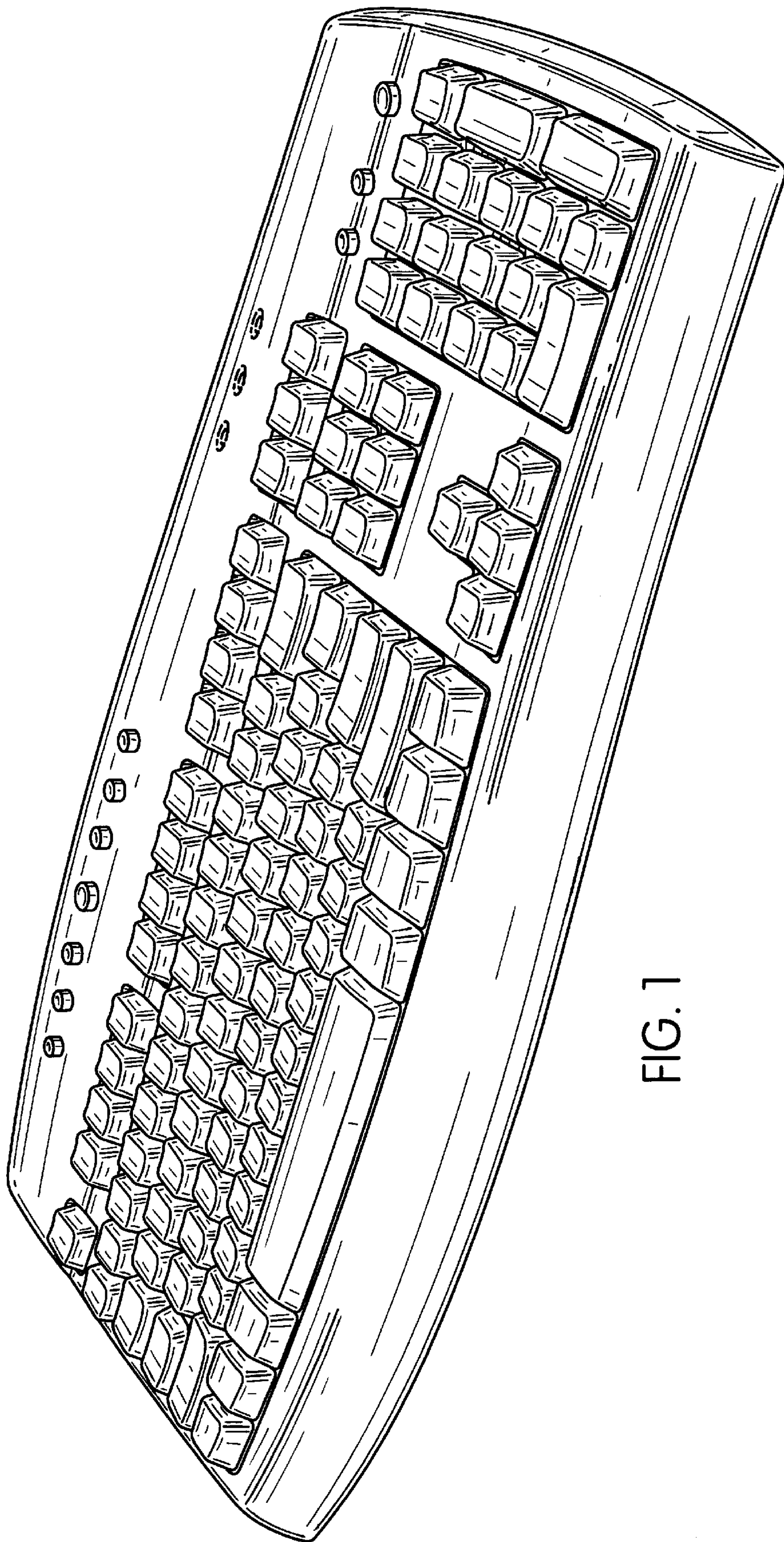


FIG. 1

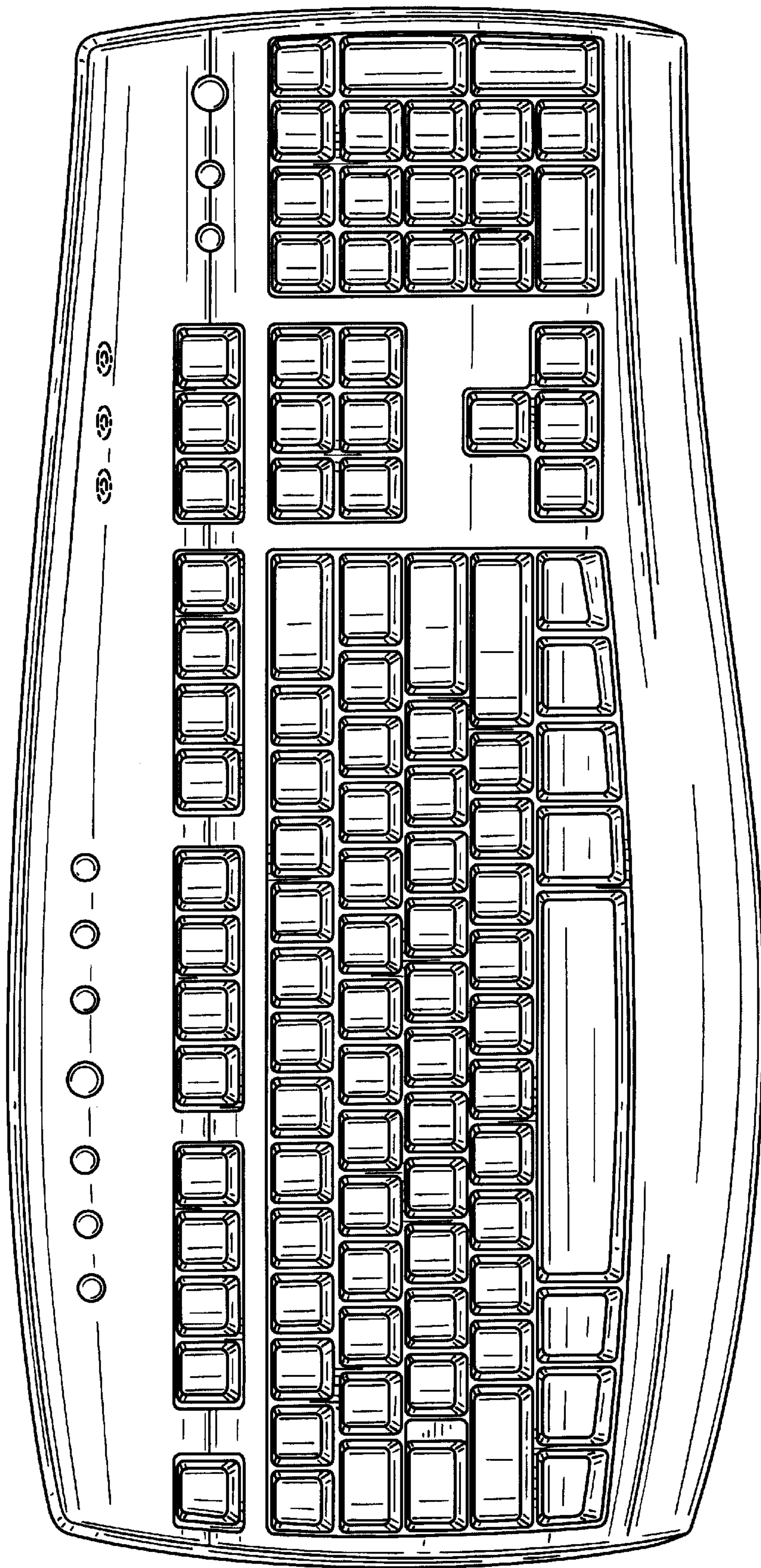


FIG. 2

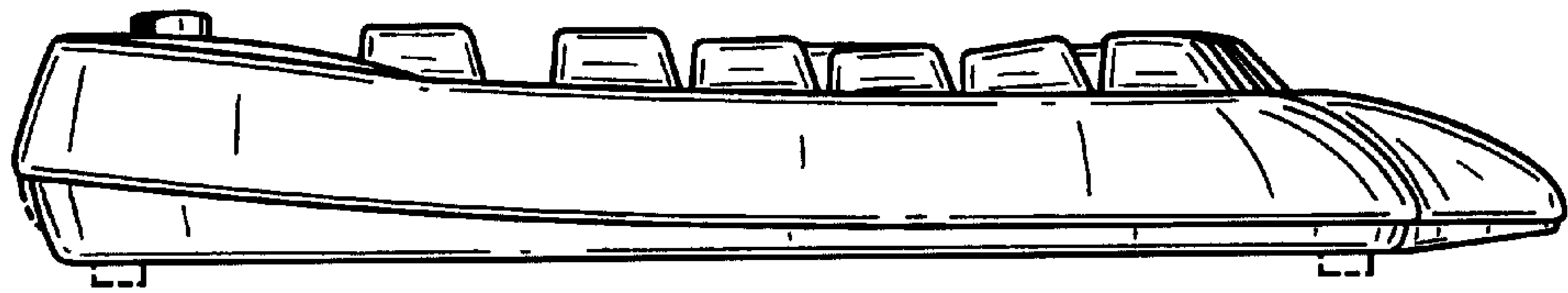


FIG. 3

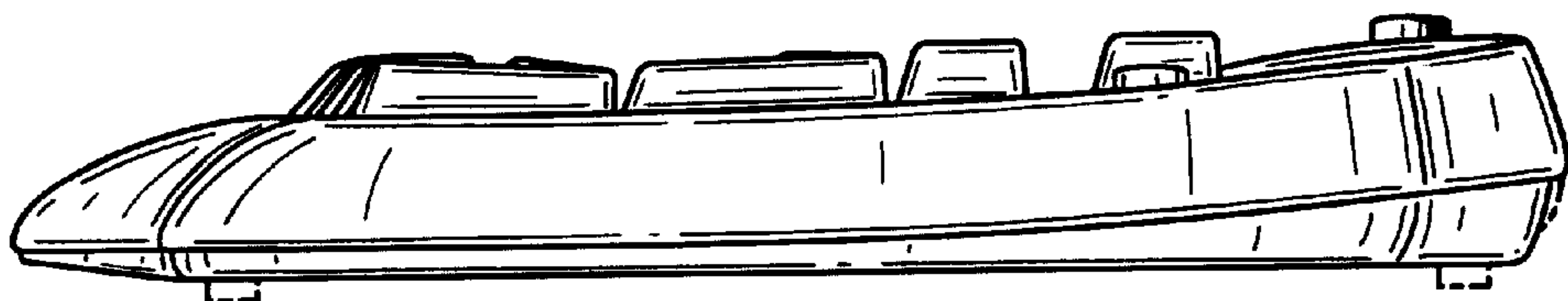


FIG. 4

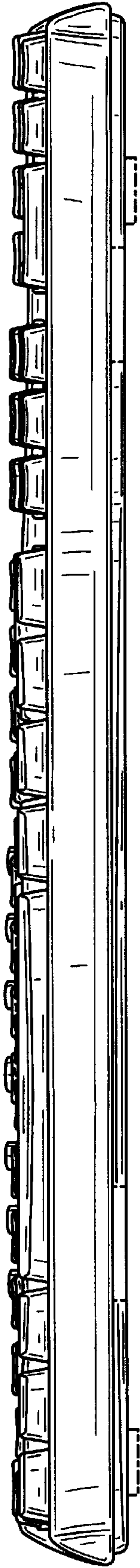


FIG. 5

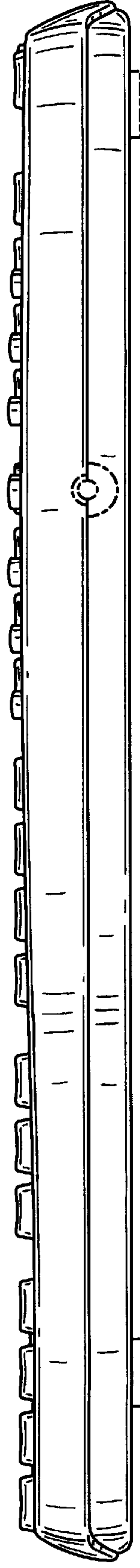


FIG. 6

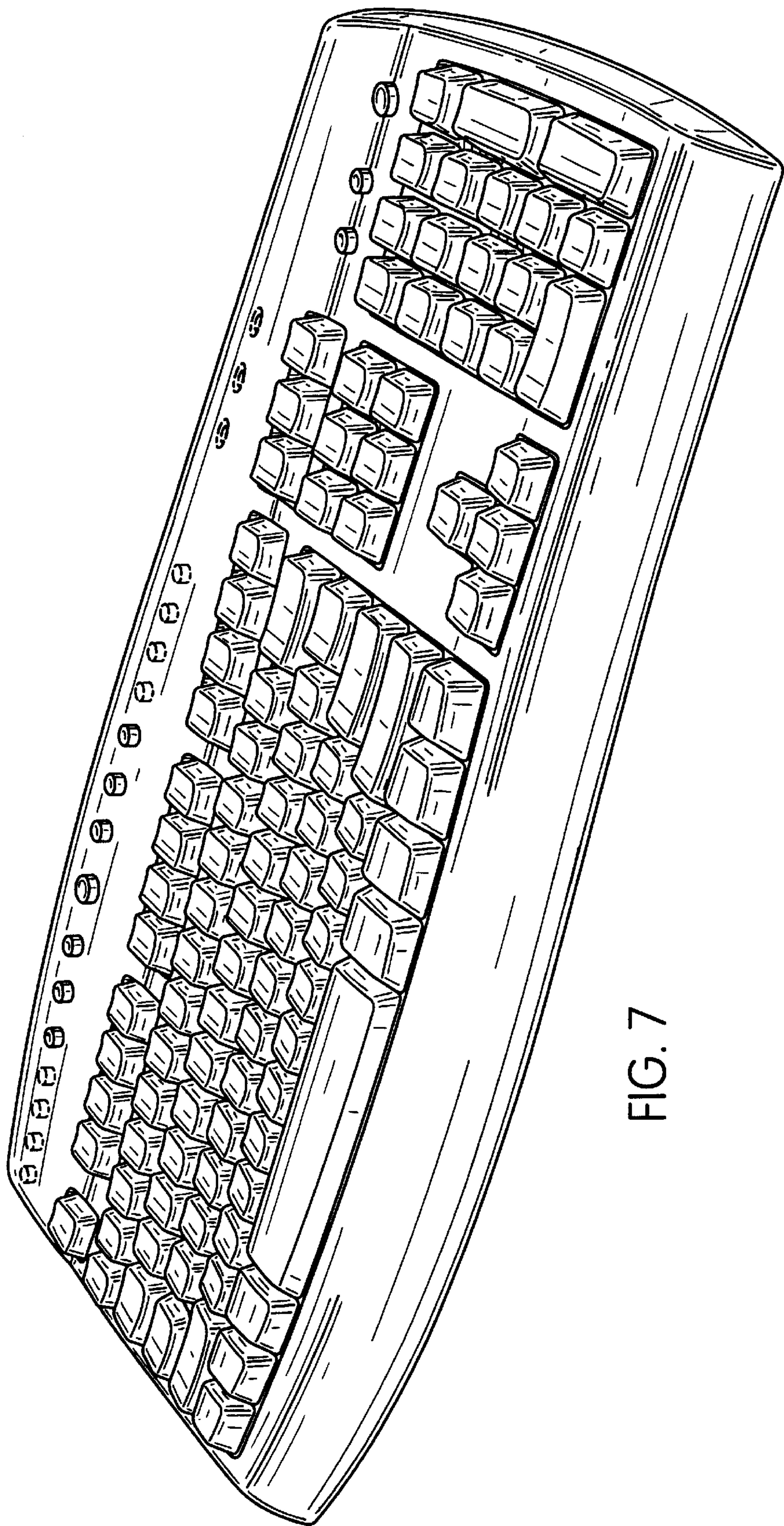


FIG. 7