



US00D439902S

(12) **United States Design Patent**  
**Oba**

(10) **Patent No.:** **US D439,902 S**

(45) **Date of Patent:** **\*\* Apr. 3, 2001**

(54) **KEYBOARD**

(75) Inventor: **Haruo Oba**, Tokyo (JP)

(73) Assignee: **Sony Corporation**, Tokyo (JP)

(\*\*) Term: **14 Years**

(21) Appl. No.: **29/108,904**

(22) Filed: **Aug. 6, 1999**

(30) **Foreign Application Priority Data**

Feb. 12, 1999 (JP) ..... 11-3241

(51) **LOC (7) Cl.** ..... **14-02**

(52) **U.S. Cl.** ..... **D14/392**

(58) **Field of Search** ..... D14/391-394,  
D14/396, 247, 144; D18/6, 7, 1; 178/17 A,  
17 C; 200/5 A, 5 R, 6 A, 6 R; 235/145 A,  
145 R; 345/168; 341/22, 23; 364/708.1;  
400/472, 479, 484-486, 488, 489, 492

(56) **References Cited**

**U.S. PATENT DOCUMENTS**

D. 278,247	*	4/1985	Miyamoto et al.	.....	D18/1
D. 286,045	*	10/1986	McGarvey et al.	.....	D14/392
D. 290,360	*	6/1987	Anzelone et al.	.....	D14/396
D. 322,245	*	12/1991	Lin	.....	D14/396
D. 406,577		3/1999	Fitzsimmons	.....	D14/114

**OTHER PUBLICATIONS**

Catalog; "Toshiba Vision Connect"; Toshiba; May 1997; 1 sheet.

Catalog; "88"; Sony; Mar. 1998; pp. 197 & 198.

Catalog; "Toshiba Equium"; Toshiba; Apr. 1998; 3 sheets.  
Catalog; "Hitachi Flora Prius Line Up"; Hitachi; Feb. 1999, 3 sheets.

\* cited by examiner

*Primary Examiner*—Freda Nunn

(74) *Attorney, Agent, or Firm*—Rader, Fishman & Grauer

(57) **CLAIM**

The ornamental design for a keyboard, as shown and described.

**DESCRIPTION**

FIG. 1 is a perspective view of a keyboard, wherein the cover portion is in a folded position, showing my new design;

FIG. 2 is a top plan view thereof;

FIG. 3 is a bottom plan view thereof;

FIG. 4 is a left side elevational view thereof;

FIG. 5 is a right side elevational view thereof;

FIG. 6 is a front elevational view thereof;

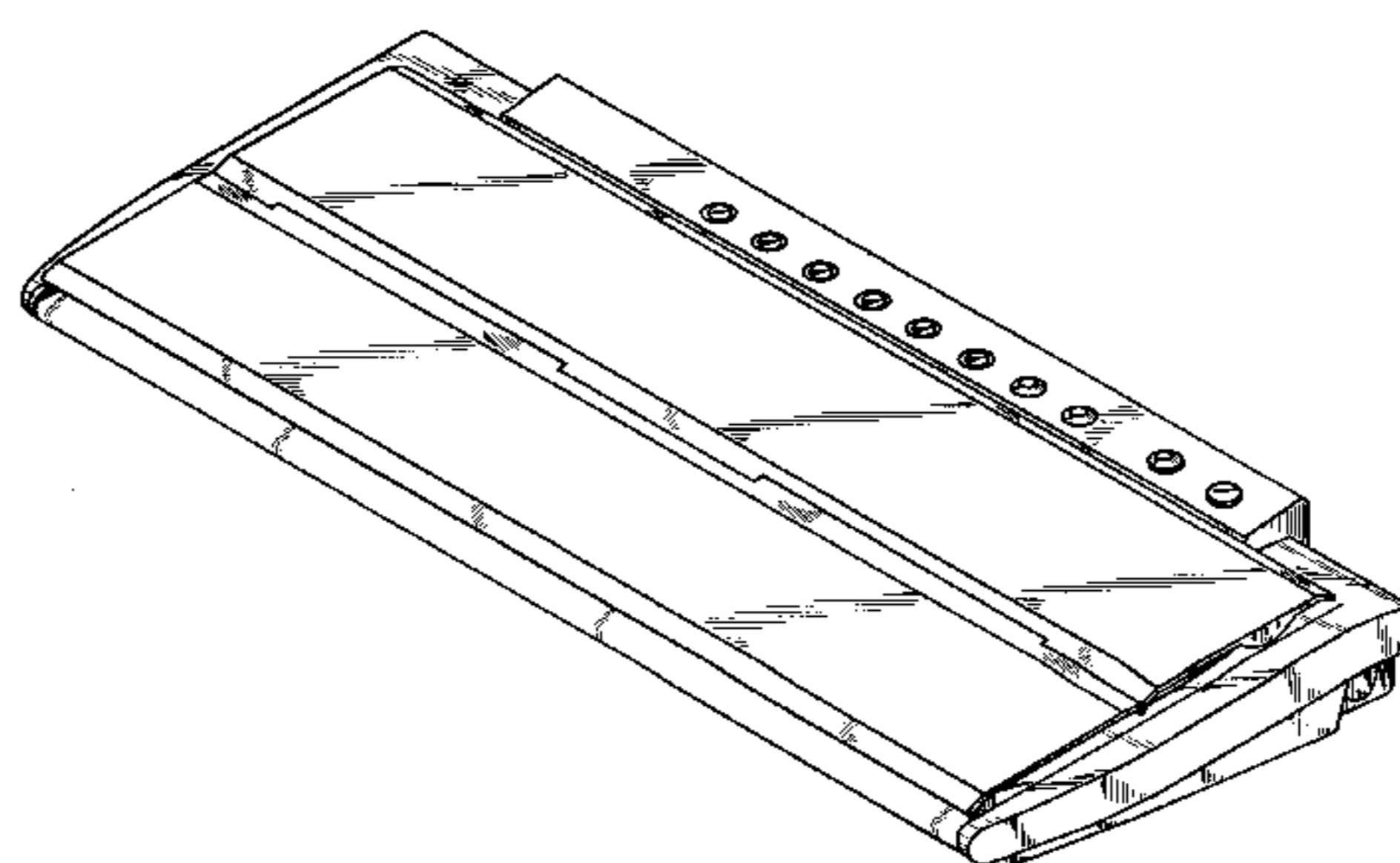
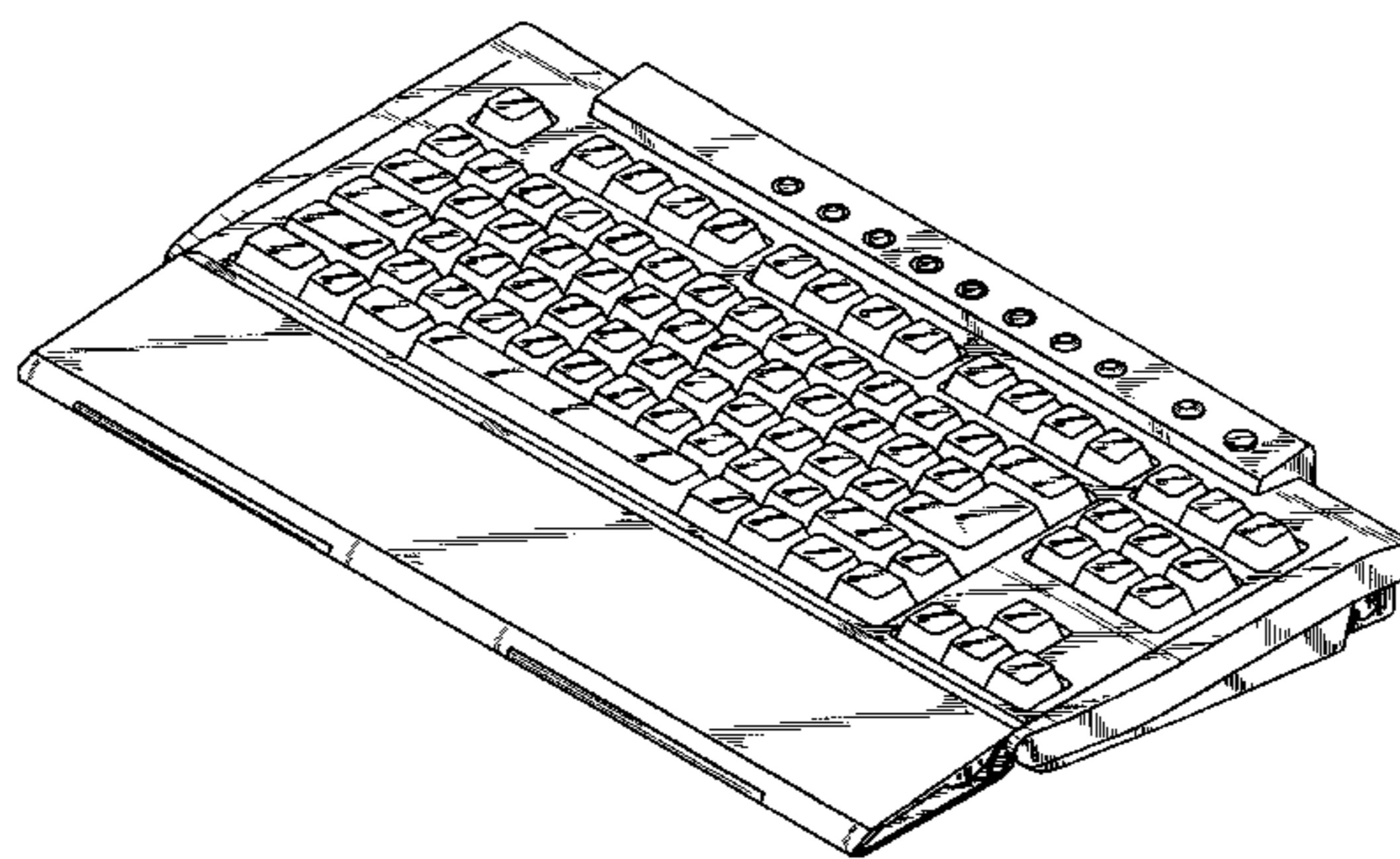
FIG. 7 is a rear elevational view thereof;

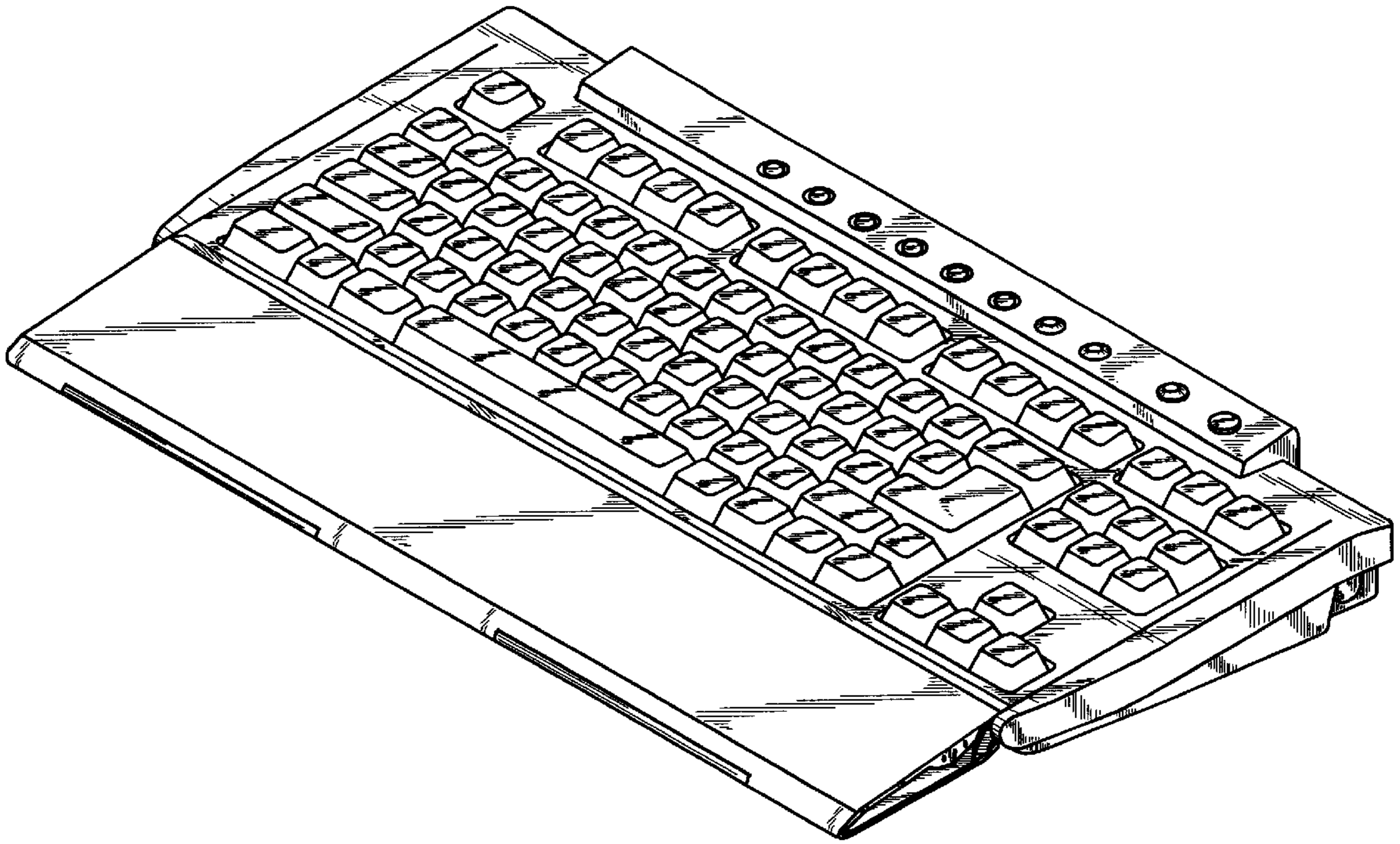
FIG. 8 is a perspective view thereof, wherein the cover portion of the keyboard is shown in a closed position;

FIG. 9 is a perspective view thereof, wherein the cover is in a first intermediate position; and,

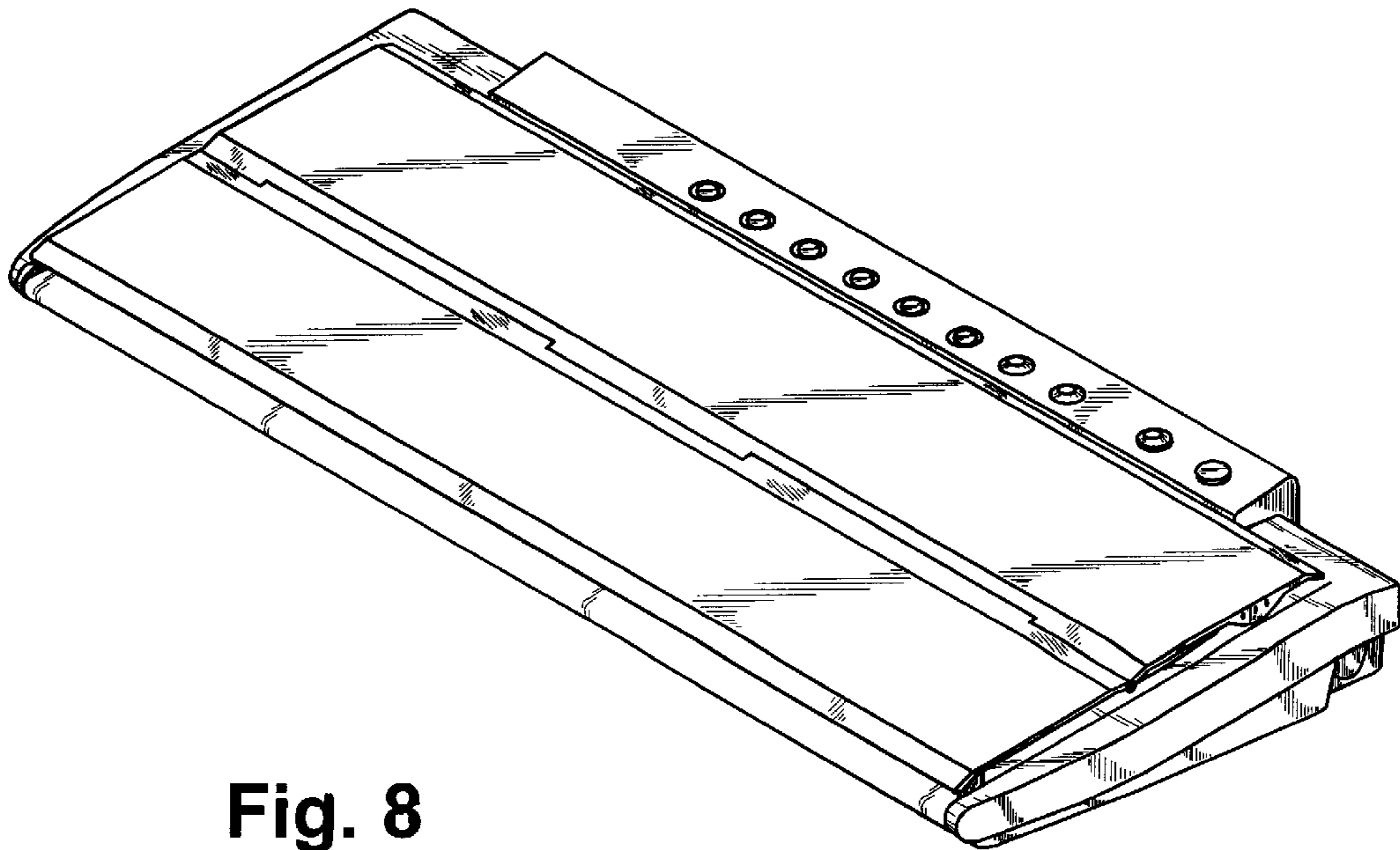
FIG. 10 is a perspective view thereof, wherein the cover is in the second intermediate position.

**1 Claim, 5 Drawing Sheets**





**Fig. 1**



**Fig. 8**

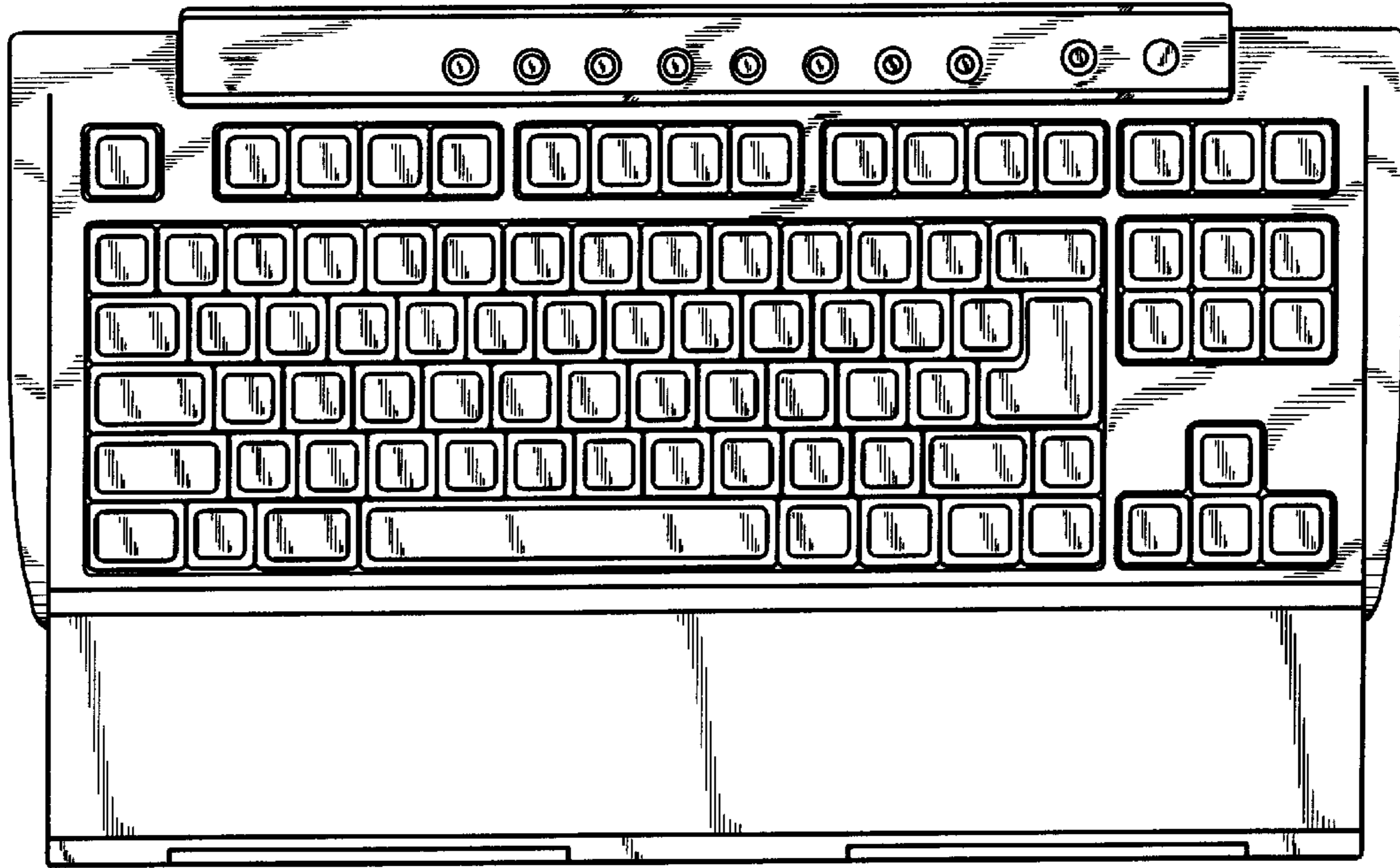


Fig. 2

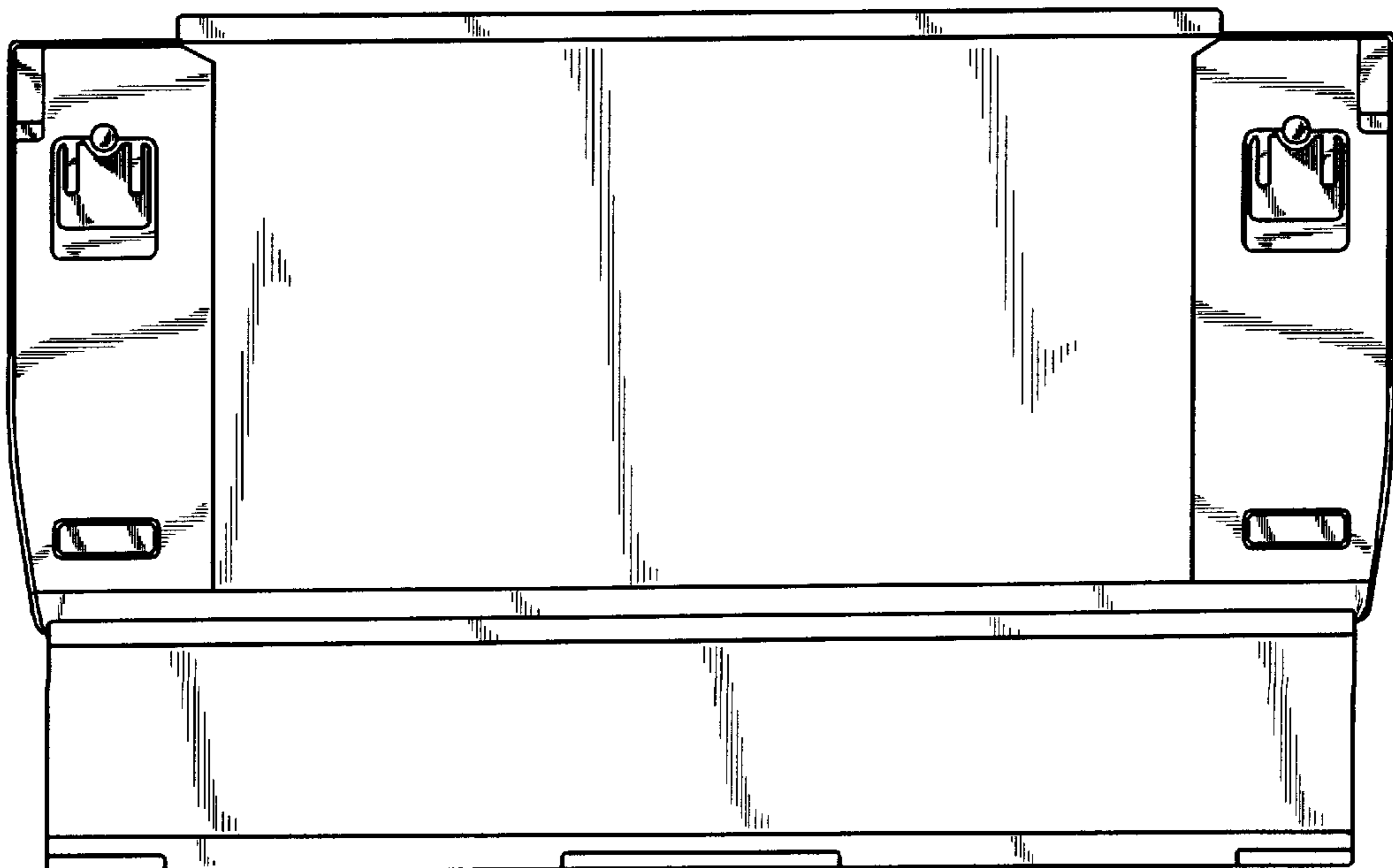
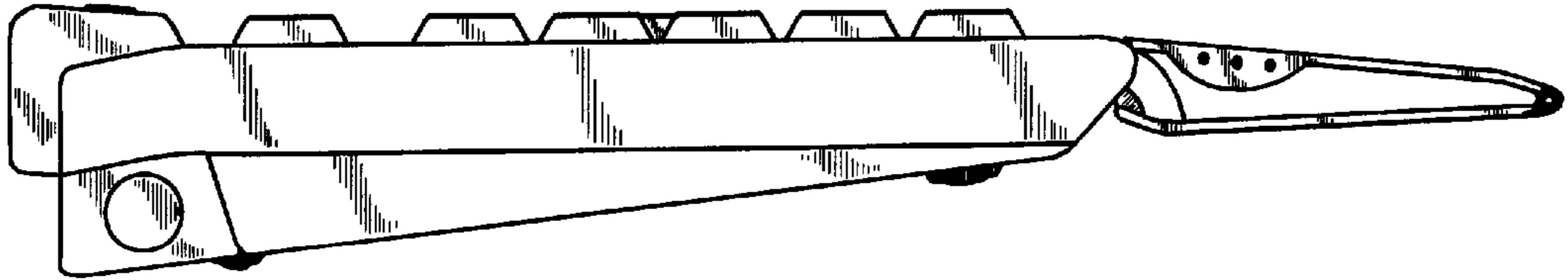
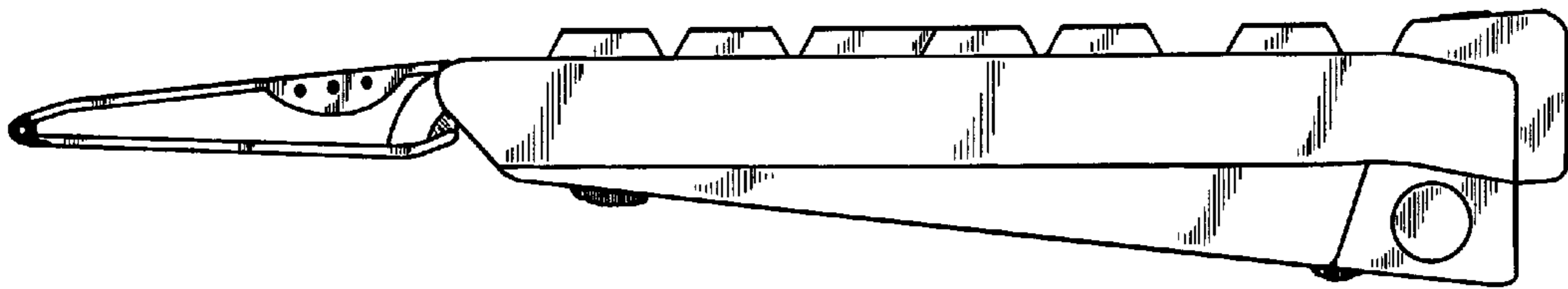


Fig. 3



**Fig. 4**



**Fig. 5**

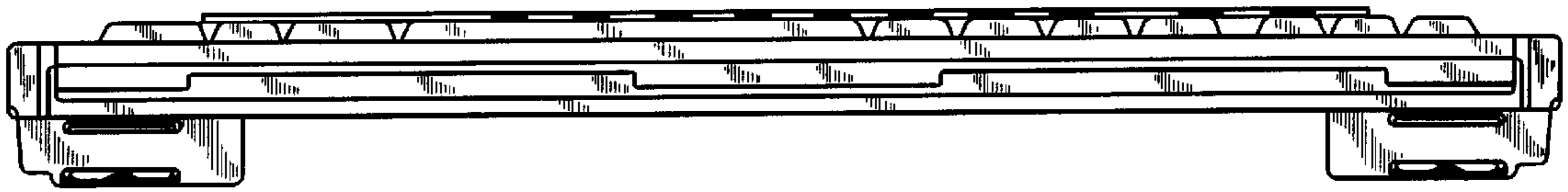


Fig. 6

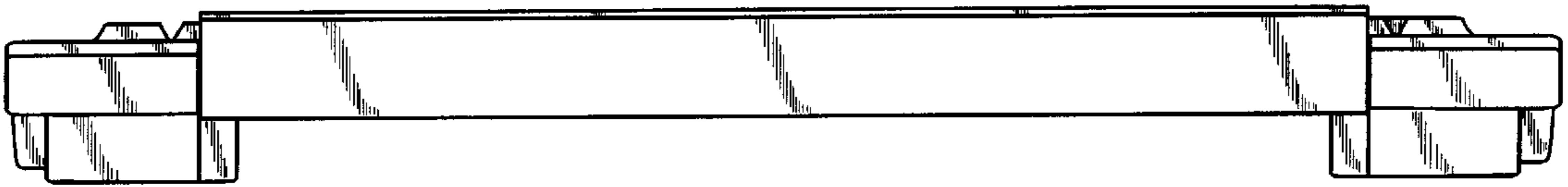
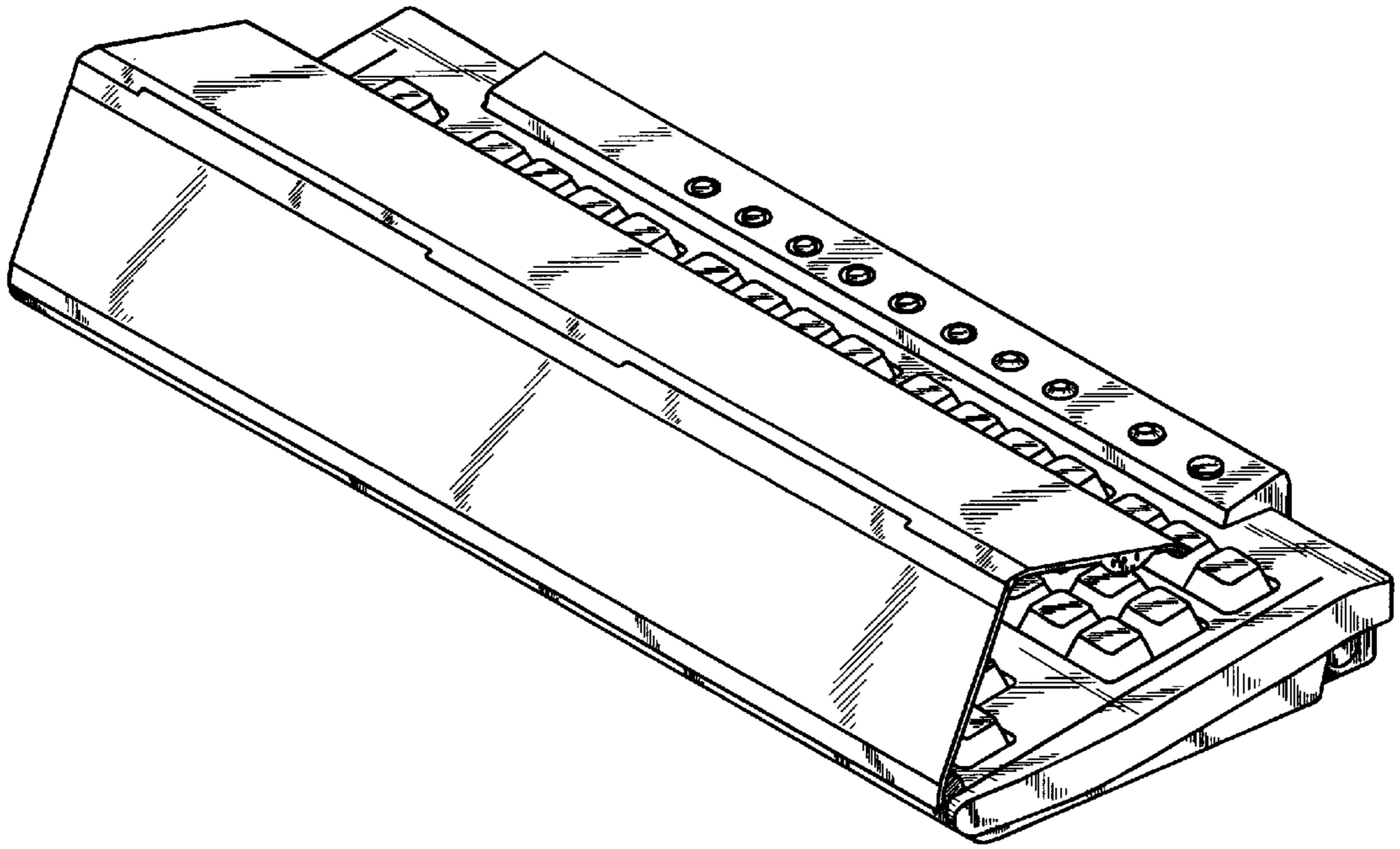
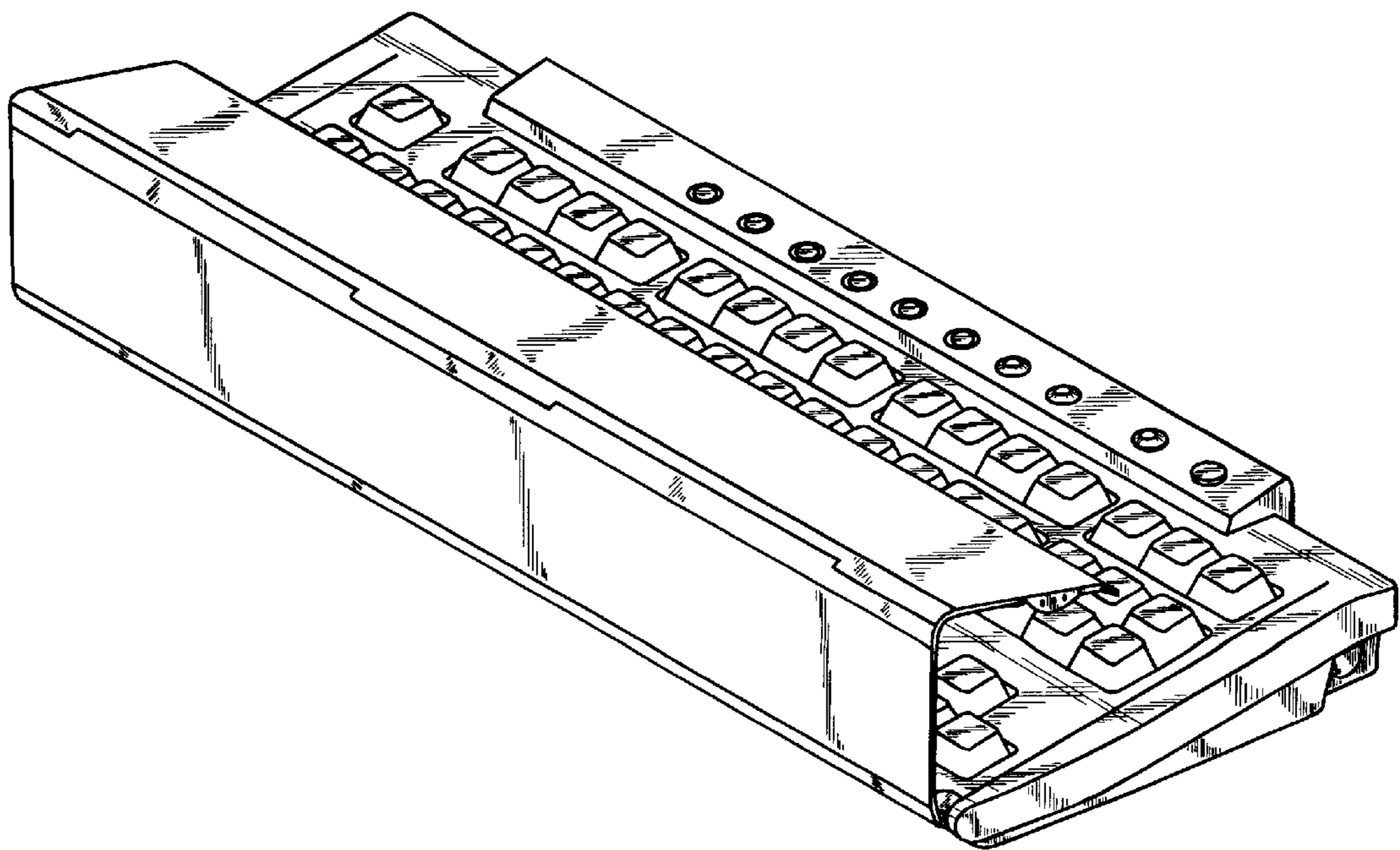


Fig. 7



**Fig. 9**



**Fig. 10**