



US00D439900S

(12) **United States Design Patent**
Baek

(10) **Patent No.:** **US D439,900 S**

(45) **Date of Patent:** **** Apr. 3, 2001**

(54) **MONITOR FOR COMPUTER**

(75) Inventor: **Wun San Baek**, Seoul (KR)

(73) Assignee: **LG Electronics Inc.**, Seoul (KR)

(**) Term: **14 Years**

(21) Appl. No.: **29/124,226**

(22) Filed: **Jun. 2, 2000**

(30) **Foreign Application Priority Data**

Dec. 3, 1999 (KR) 1999-29164

(51) **LOC (7) Cl.** **14-02**

(52) **U.S. Cl.** **D14/374**

(58) **Field of Search** D14/371, 374,
D14/126-129, 375; 345/104, 133, 156,
168, 173; 348/180, 184, 325, 739; 349/1,
2, 11, 62

(56) **References Cited**

U.S. PATENT DOCUMENTS

D. 387,040 * 12/1997 Iino D14/375

D. 403,670 * 1/1999 Liao D14/375

D. 408,383 * 4/1999 Carter et al. D14/374

D. 412,891 * 8/1999 Sumii D14/374

* cited by examiner

Primary Examiner—Freda Nunn

(74) *Attorney, Agent, or Firm*—Birch, Stewart, Kolasch & Birch, LLP

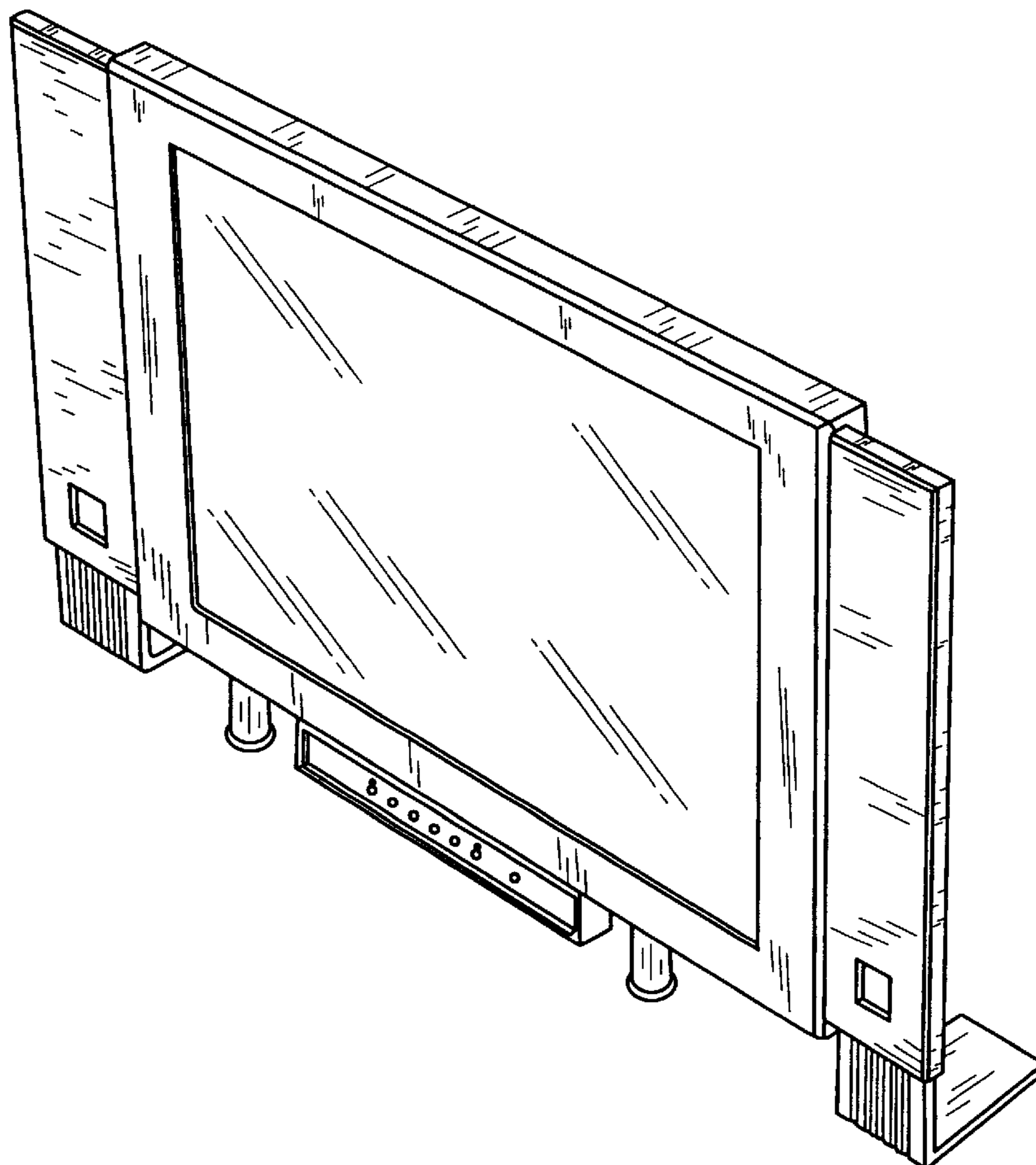
(57) **CLAIM**

The ornamental design for a monitor for computer, as shown and described.

DESCRIPTION

FIG. 1 is a perspective view of a monitor for computer showing the new design;
FIG. 2 is a front view thereof;
FIG. 3 is a rear view thereof;
FIG. 4 is a left-side view thereof;
FIG. 5 is a right-side view thereof;
FIG. 6 is a top plan view thereof; and,
FIG. 7 is a bottom plan view thereof.

1 Claim, 4 Drawing Sheets



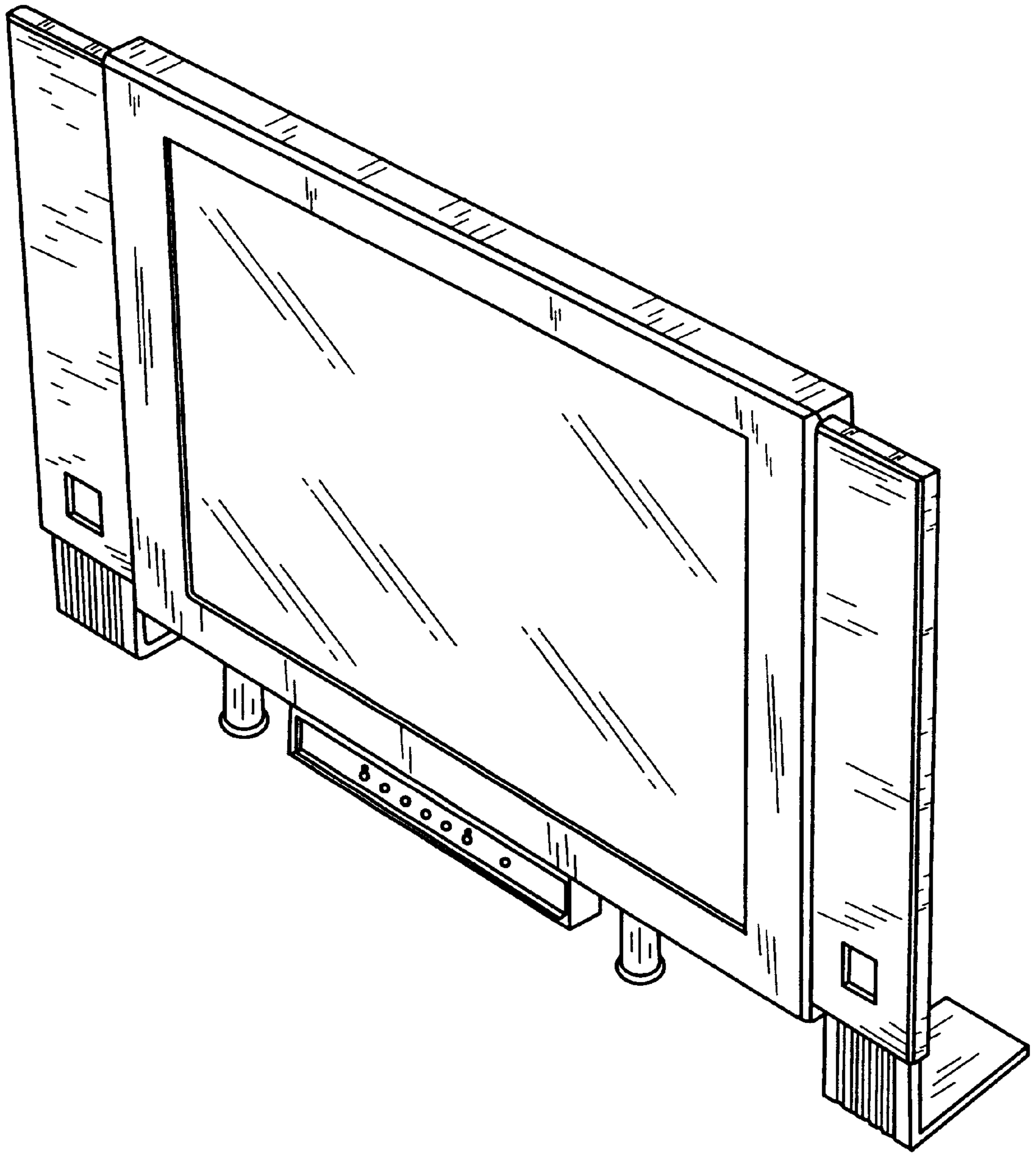


FIG. 1

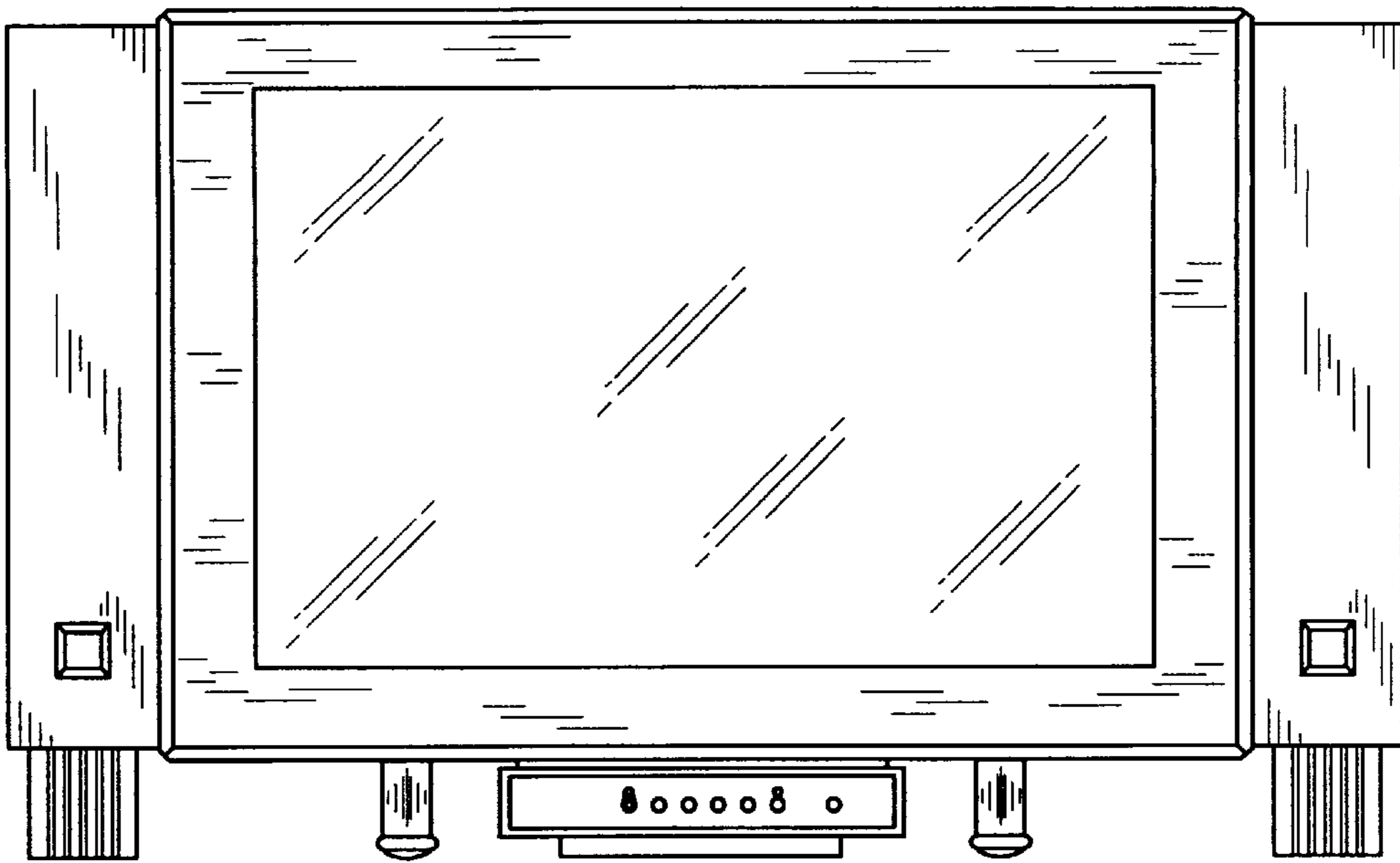


FIG. 2

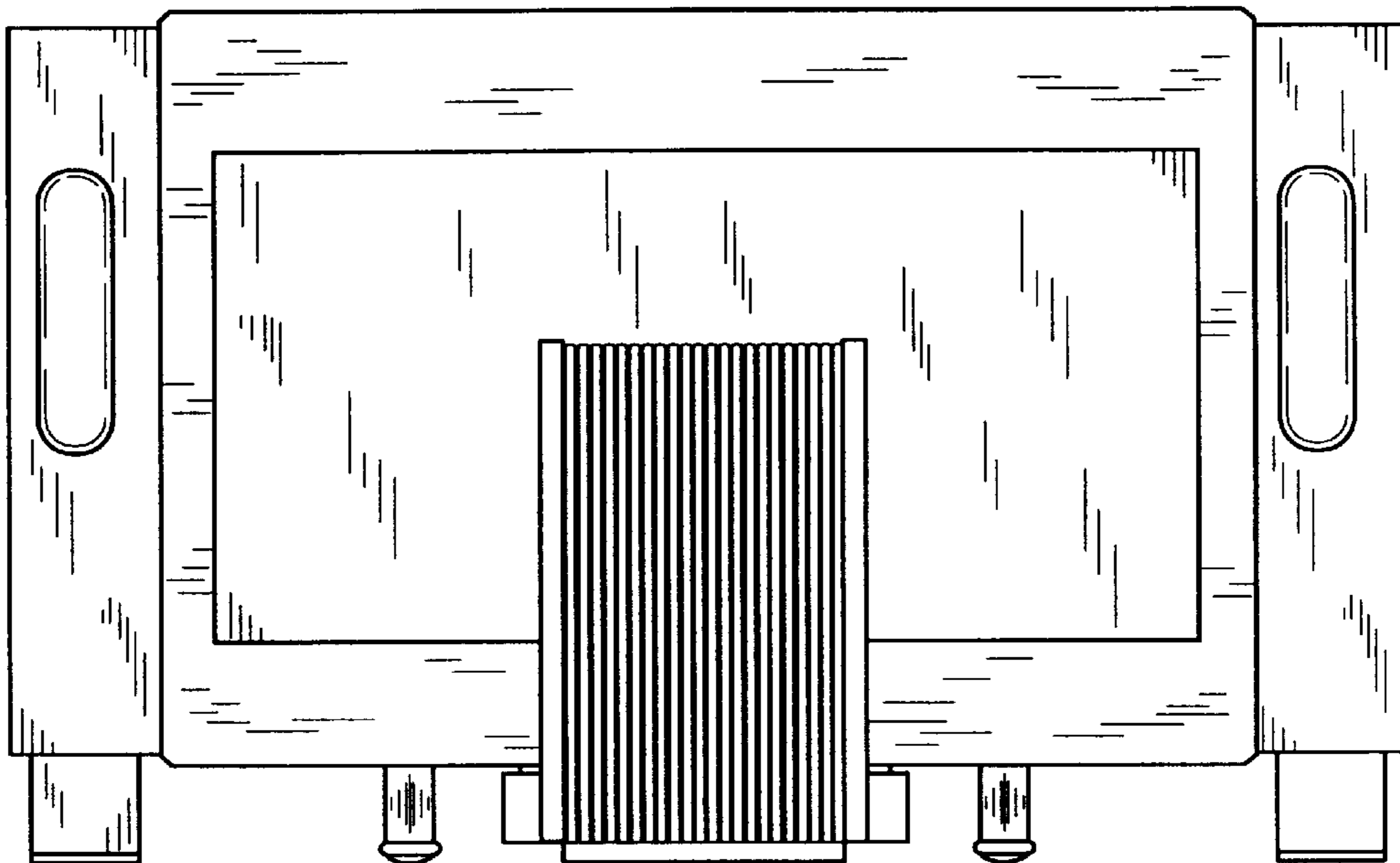


FIG. 3



FIG. 4



FIG. 5

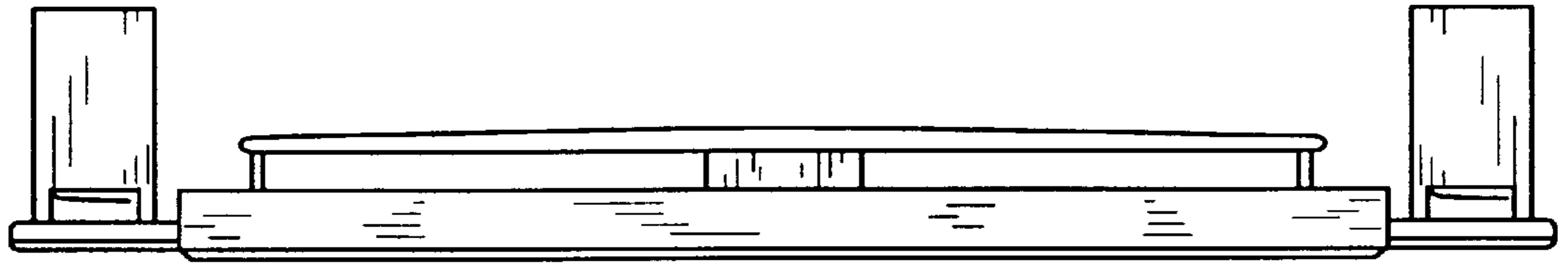


FIG. 6

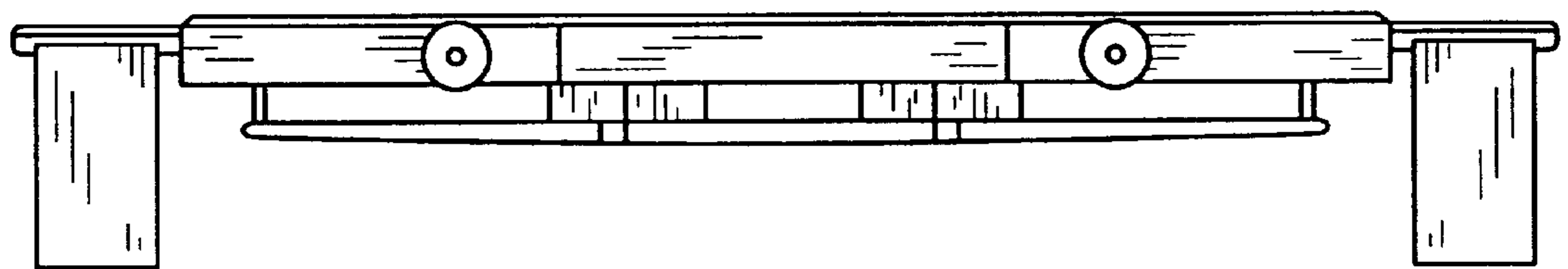


FIG. 7