



US00D439896S

(12) **United States Design Patent**
Floyd

(10) **Patent No.:** **US D439,896 S**

(45) **Date of Patent:** **** Apr. 3, 2001**

(54) **COMPUTER**

(75) Inventor: **Donovan Floyd**, Richardson, TX (US)

(73) Assignee: **M & P Ventures**, Dallas, TX (US)

(**) Term: **14 Years**

(21) Appl. No.: **29/112,501**

(22) Filed: **Oct. 15, 1999**

(51) **LOC (7) Cl.** **14-02**

(52) **U.S. Cl.** **D14/337**

(58) **Field of Search** D14/336, 337,
D14/314, 126-129; 345/104, 156; 364/708.1;
349/1, 2, 11, 62; 348/180, 184, 325, 739

(56) **References Cited**

U.S. PATENT DOCUMENTS

D. 383,733	*	9/1997	Mieki	D14/336
D. 397,324	*	8/1998	Minemoto et al.	D14/337
D. 409,163	*	5/1999	Maruyama et al.	D14/337

* cited by examiner

Primary Examiner—Freda Nunn

(74) *Attorney, Agent, or Firm*—Jackson Walker LLP

(57) **CLAIM**

The ornamental design for a computer, as shown and described.

DESCRIPTION

FIG. 1 is a perspective view of the computer with CD-ROM and floppy diskette drive slots illustrated in phantom for illustrative purposes only and form no part of the claimed design;

FIG. 2 is a front view of the computer;

FIG. 3 is a left side view of the left panel of the computer with the panel in a closed position;

FIG. 4 is a right view of the computer;

FIG. 5 is a rear view of the computer;

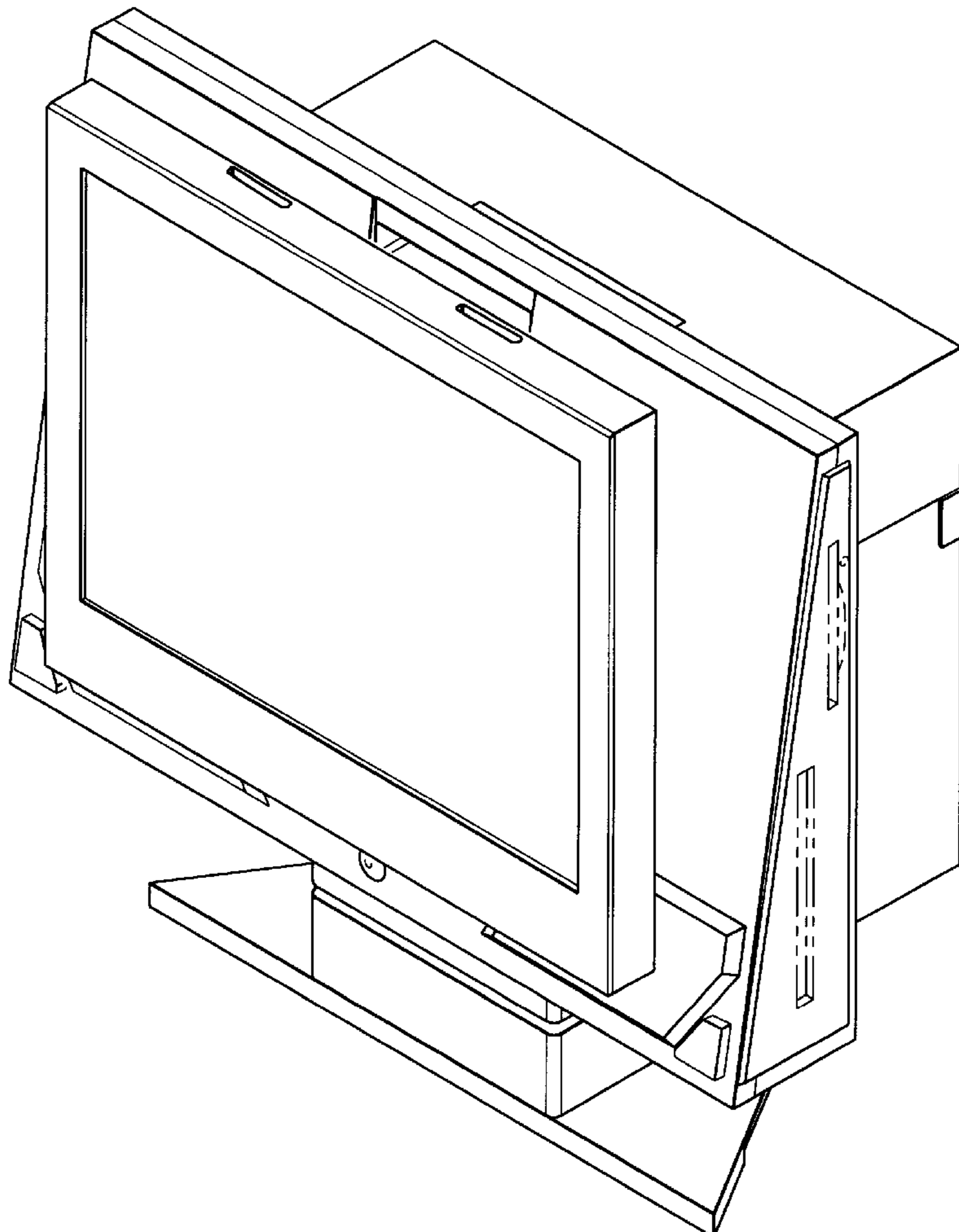
FIG. 6 is a top view of the computer;

FIG. 7 is a bottom view of the computer;

FIG. 8 is a perspective view of the computer with a side panel in a closed position; and,

FIG. 9 is a perspective view of the computer shown in FIG. 8 with the side panel in an open position.

1 Claim, 4 Drawing Sheets



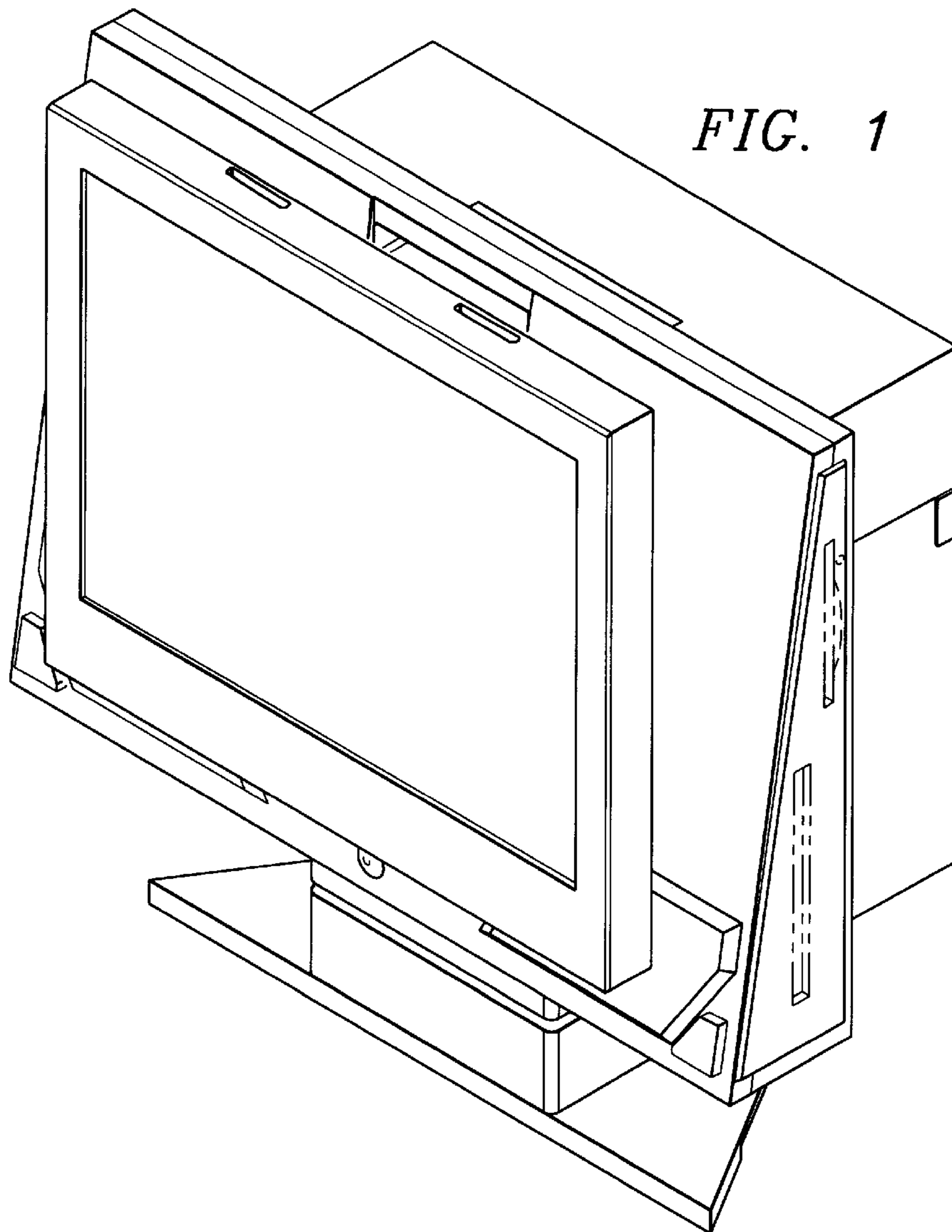


FIG. 1

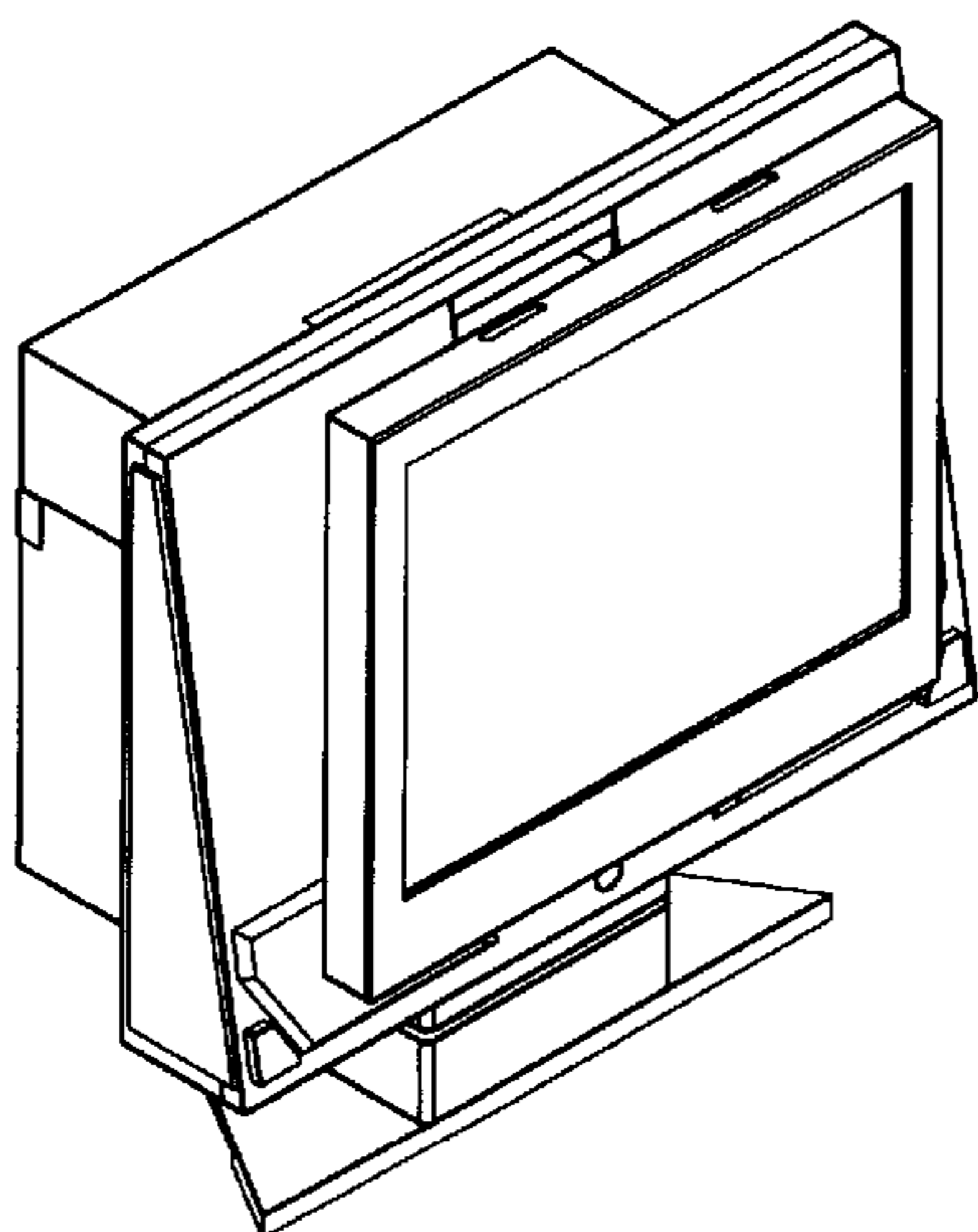


FIG. 8

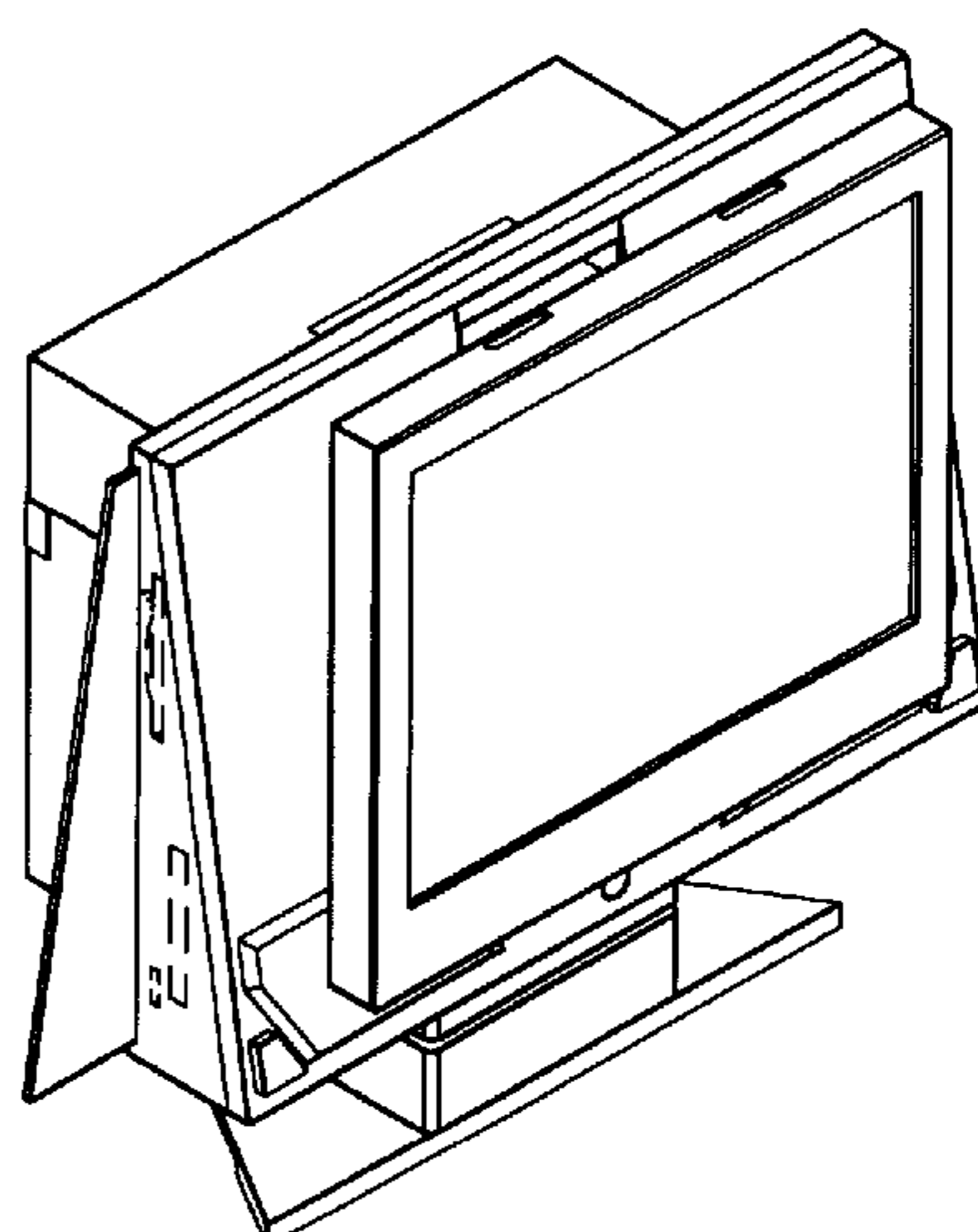


FIG. 9

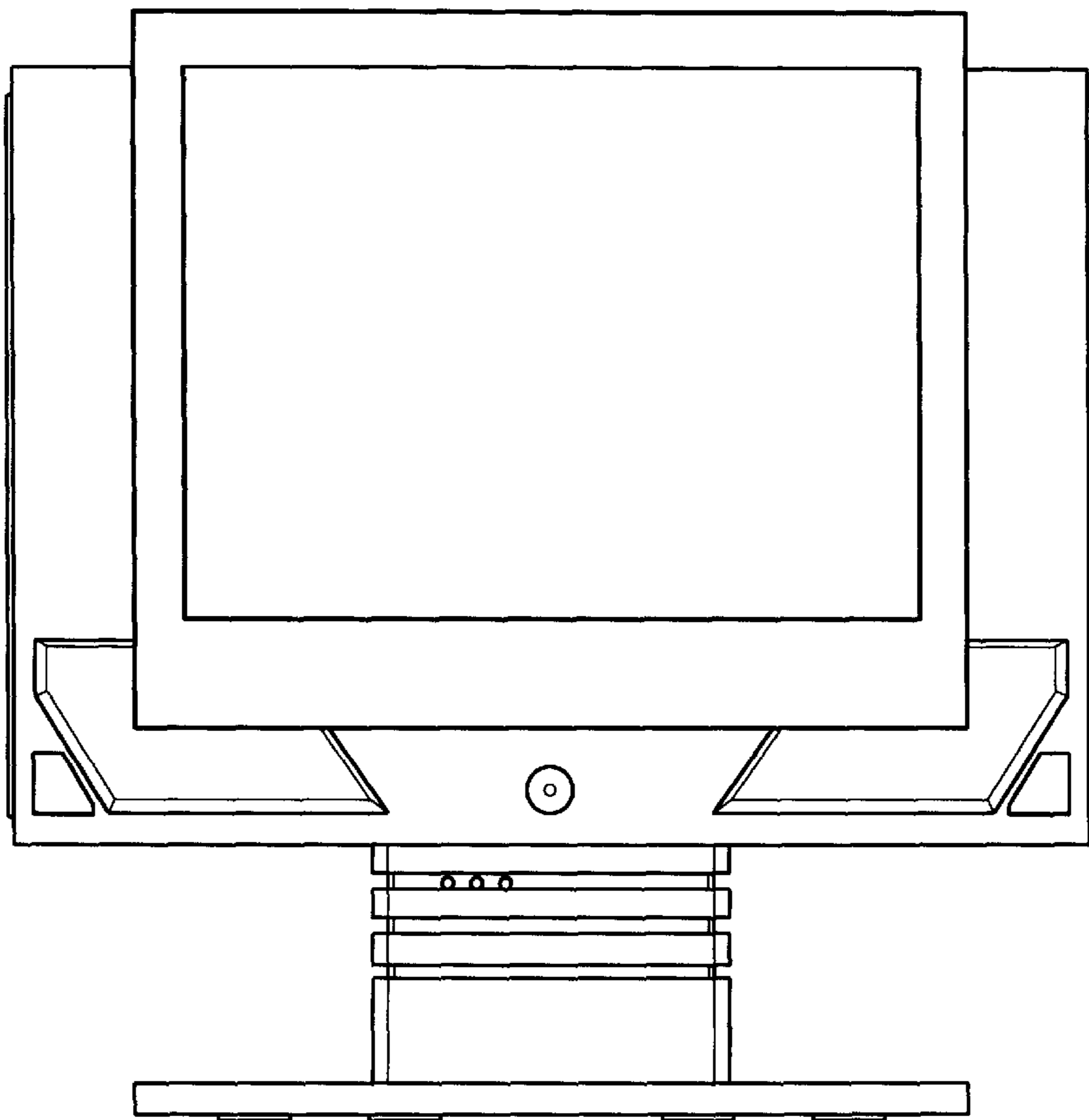


FIG. 2

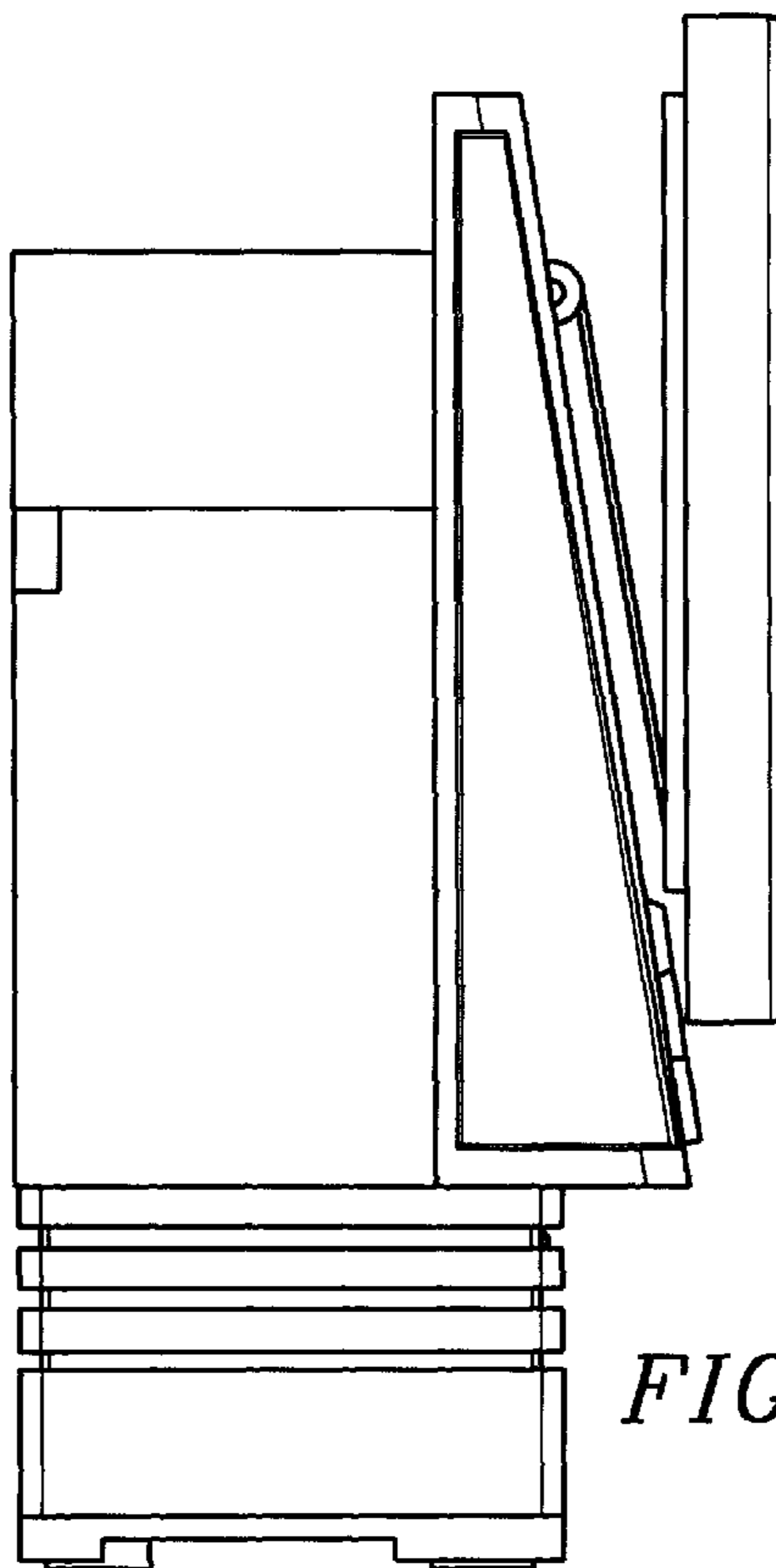


FIG. 3

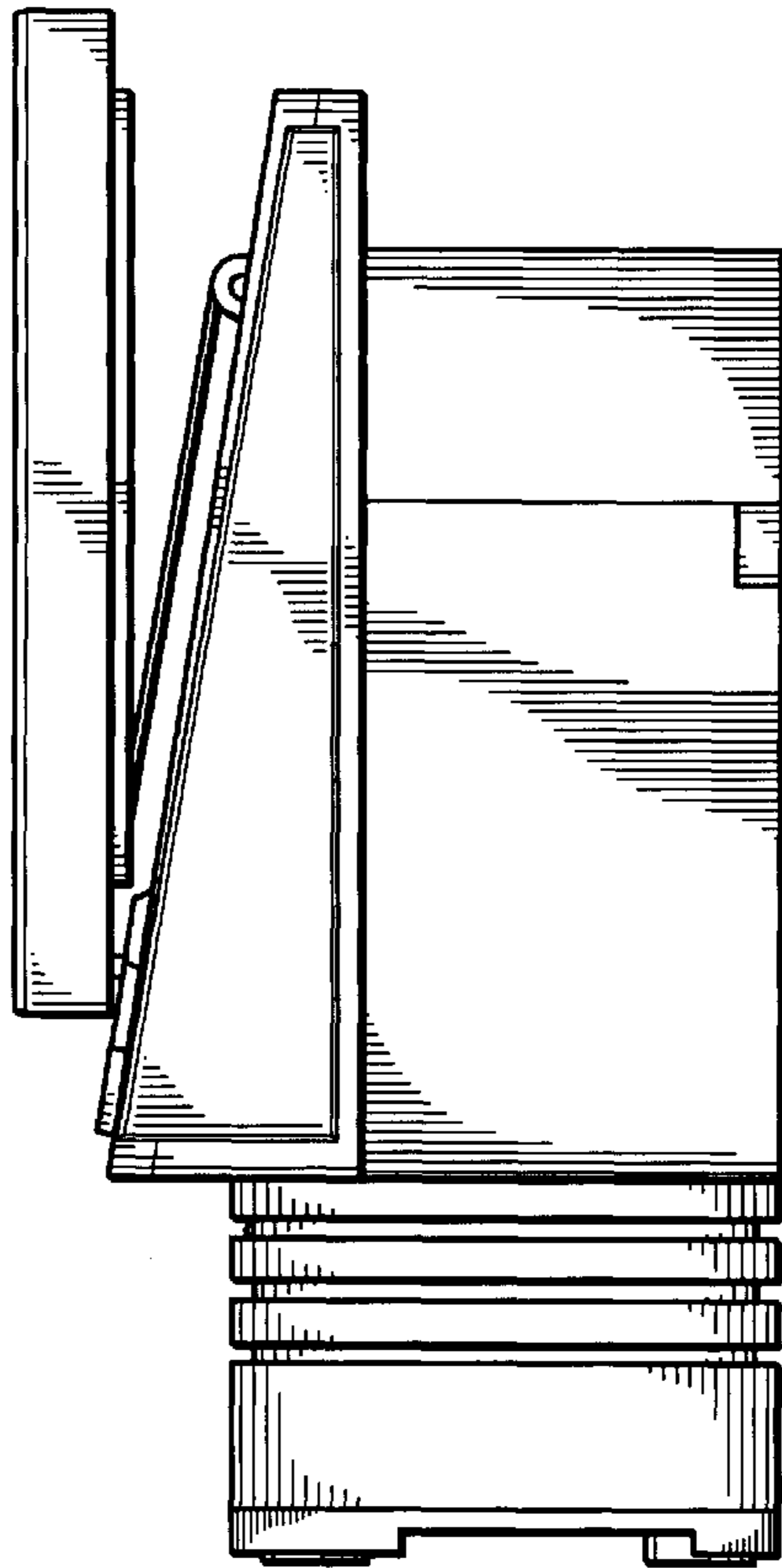


FIG. 4

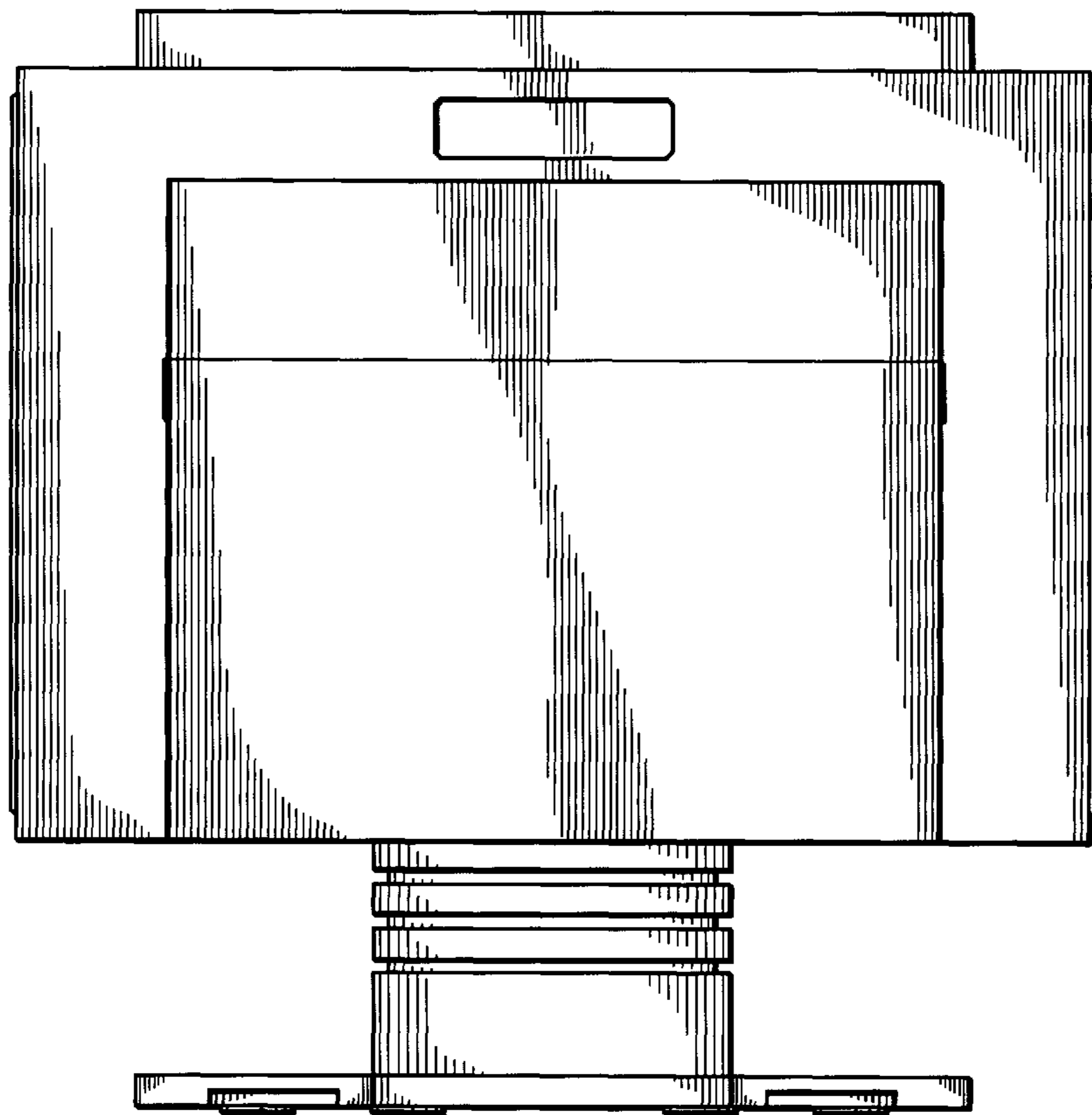


FIG. 5

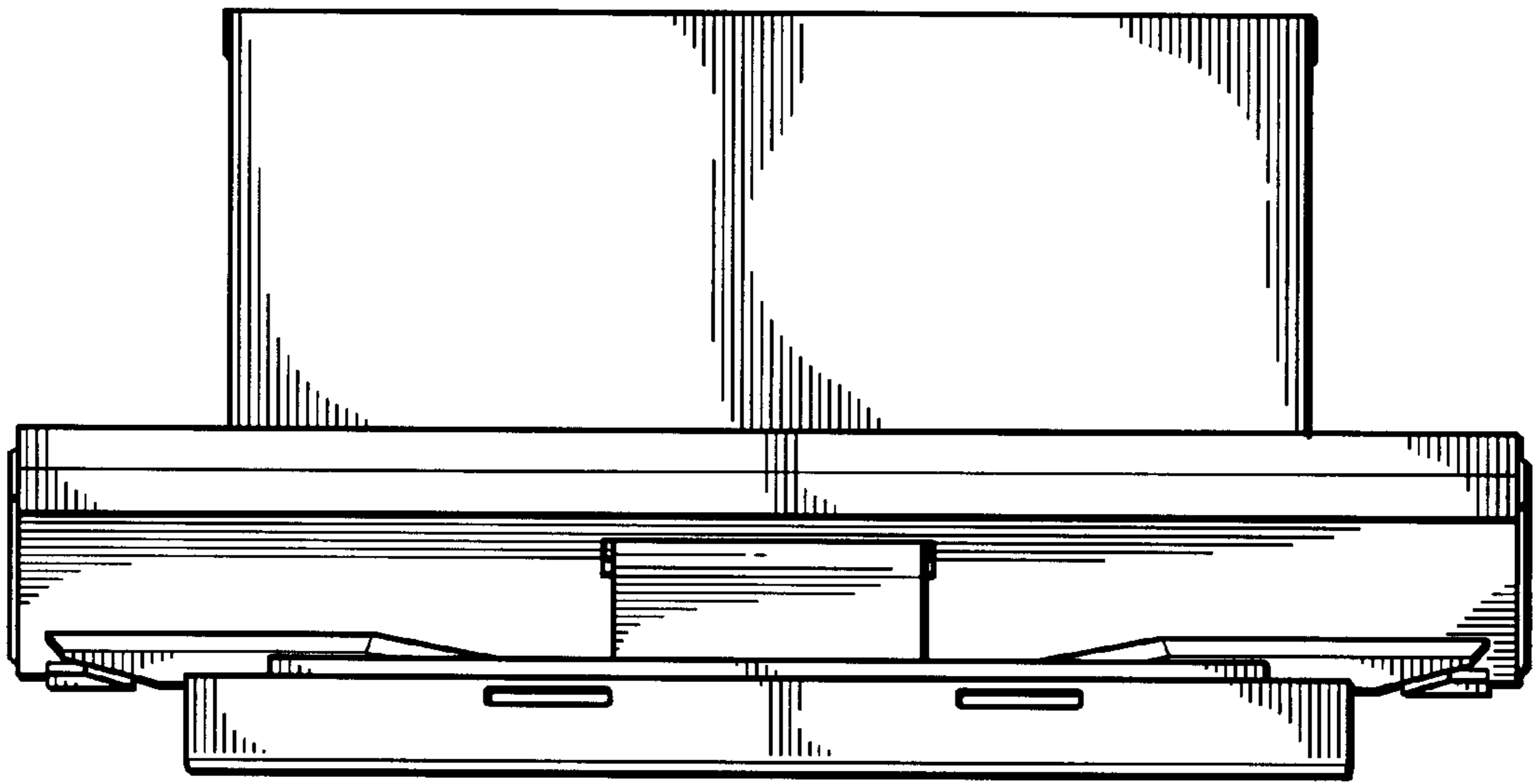


FIG. 6

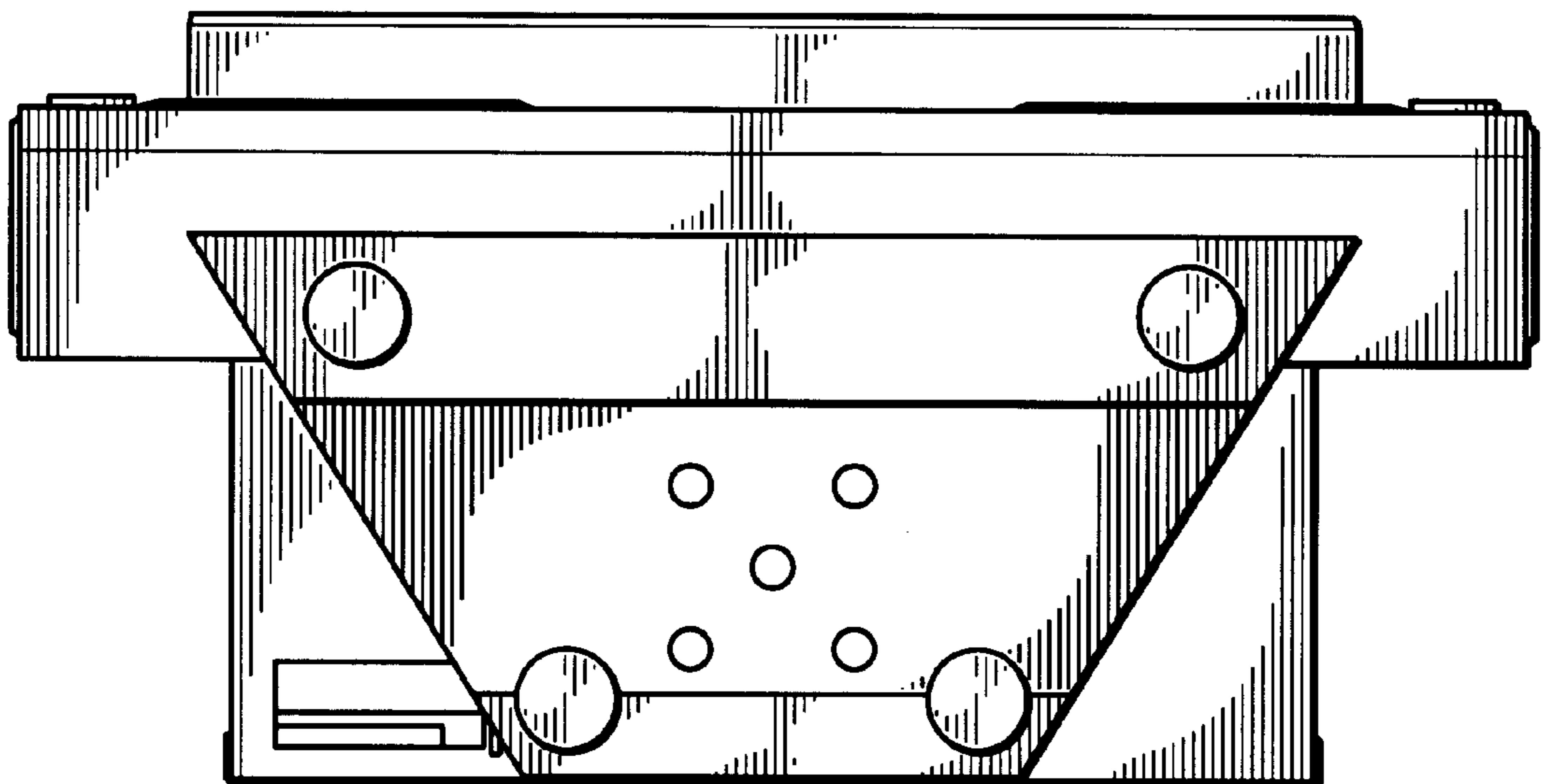


FIG. 7