



US00D439883S

(12) **United States Design Patent**
Miyazoe et al.

(10) **Patent No.:** **US D439,883 S**

(45) **Date of Patent:** **** Apr. 3, 2001**

(54) **ELECTRIC CONNECTOR ASSEMBLY**

(75) Inventors: **Shinji Miyazoe; Koichi Mochizuki;**
Katsuyuki Senba, all of Tsukuba-gun
(JP)

(73) Assignee: **SMC Corporation**, Tokyo (JP)

(**) Term: **14 Years**

(21) Appl. No.: **29/114,552**

(22) Filed: **Nov. 29, 1999**

(30) **Foreign Application Priority Data**

May 28, 1999 (JP) 11-14046

(51) **LOC (7) Cl.** **13-03**

(52) **U.S. Cl.** **D13/147**

(58) **Field of Search** D13/146, 147;
439/94, 110, 121, 532, 641, 642, 645, 646,
648, 638, 639

(56) **References Cited**

U.S. PATENT DOCUMENTS

D. 344,714 * 3/1994 Kulbersh D13/147
D. 388,396 * 12/1997 Meloche D13/146

D. 400,857 * 11/1998 Meloche D13/146
D. 425,483 * 5/2000 Bechtold et al. D13/147
5,622,506 * 4/1997 Hornig et al. 439/74
5,900,684 * 5/1999 Lam 439/638 X
6,077,125 * 6/2000 Emery 439/638

* cited by examiner

Primary Examiner—Joel Sincavage

(74) *Attorney, Agent, or Firm*—Oblon, Spivak, McClelland,
Maier & Neustadt, P.C.

(57) **CLAIM**

The ornamental design for electric connector assembly, as shown and described.

DESCRIPTION

FIG. 1 is a front elevational view of electric connector assembly showing our new design;
FIG. 2 is a top plan view thereof;
FIG. 3 is a bottom plan view thereof;
FIG. 4 is a left side elevational view thereof;
FIG. 5 is a right side elevational view thereof;
FIG. 6 is a rear elevational view thereof;
FIG. 7 is a top and right front perspective view thereof; and,
FIG. 8 is a bottom and left rear perspective view thereof.

1 Claim, 2 Drawing Sheets

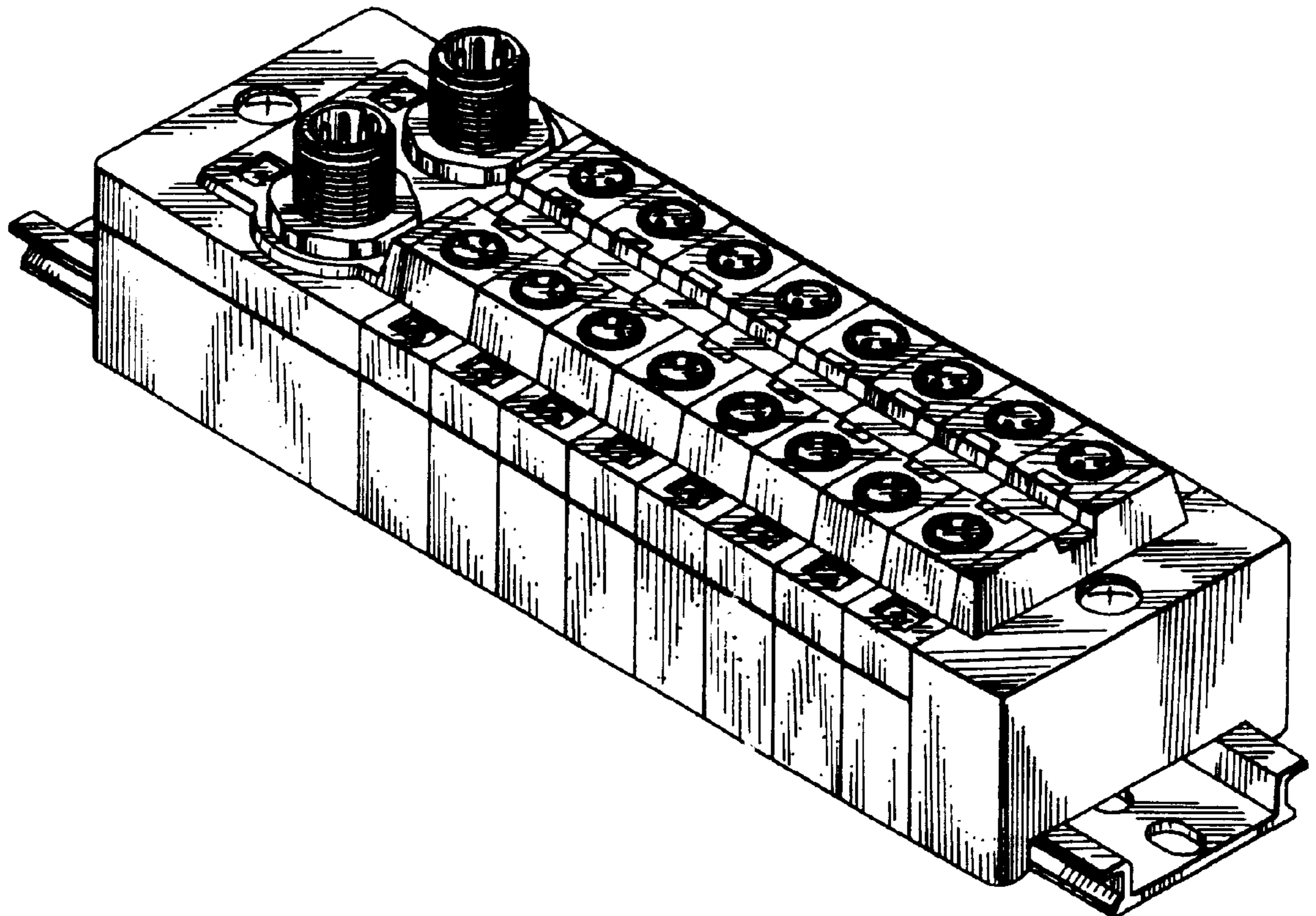


FIG. 1

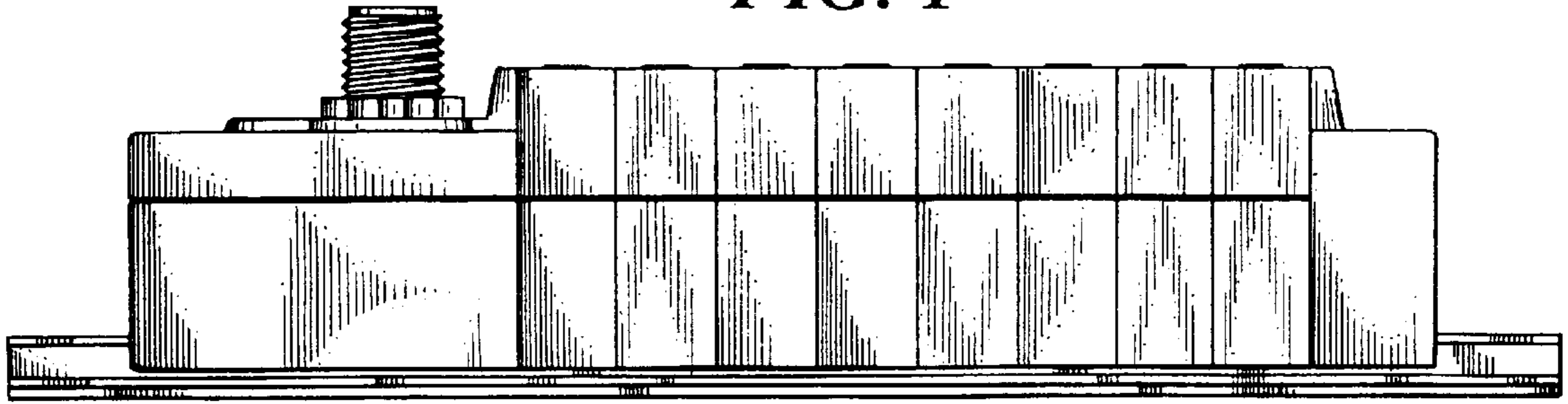


FIG. 2

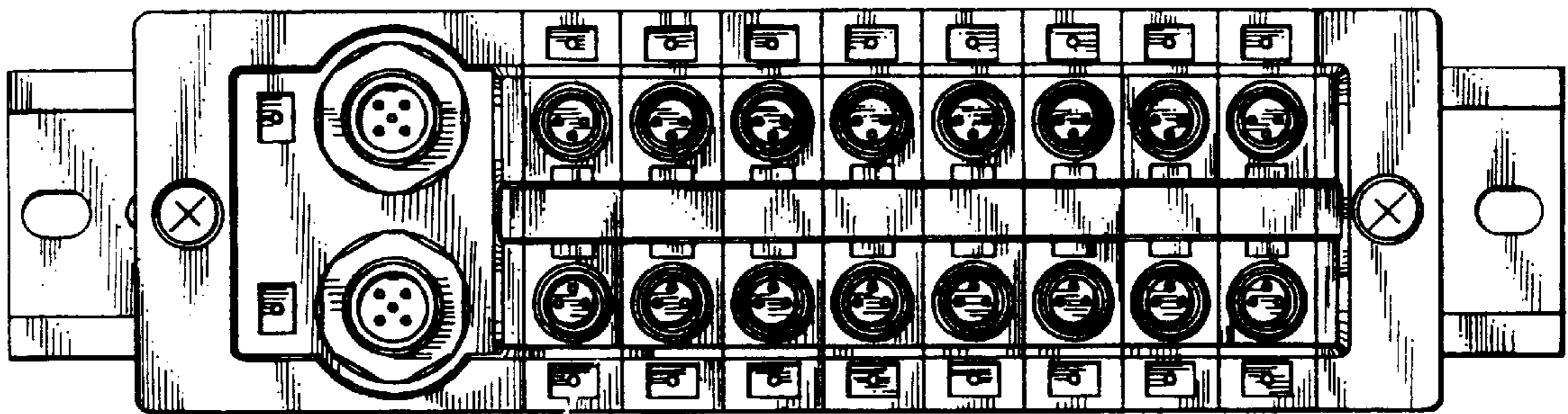


FIG. 3

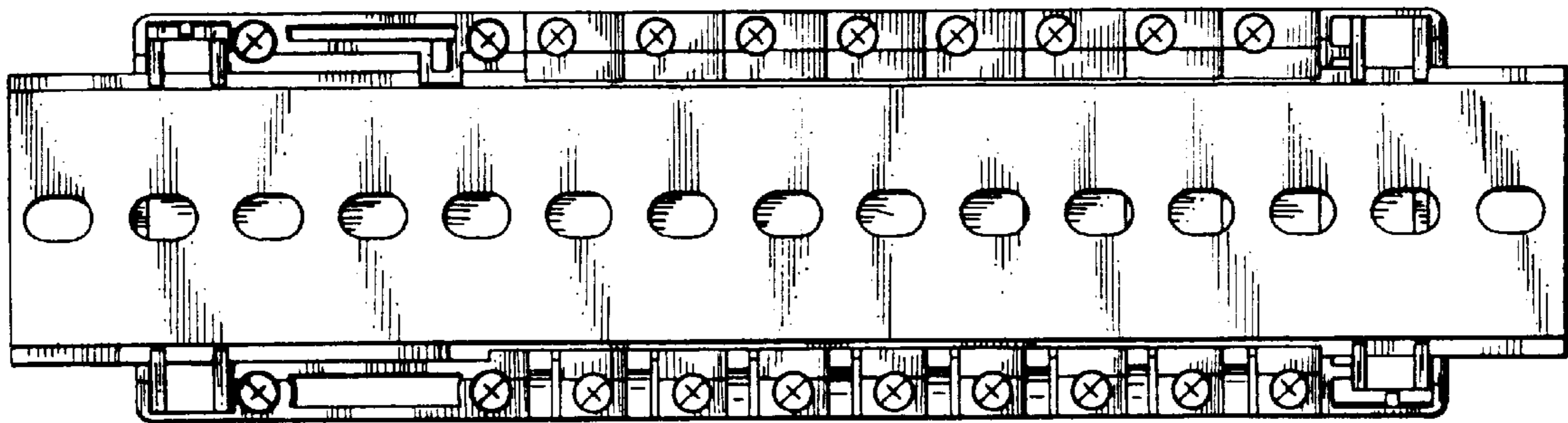


FIG. 4

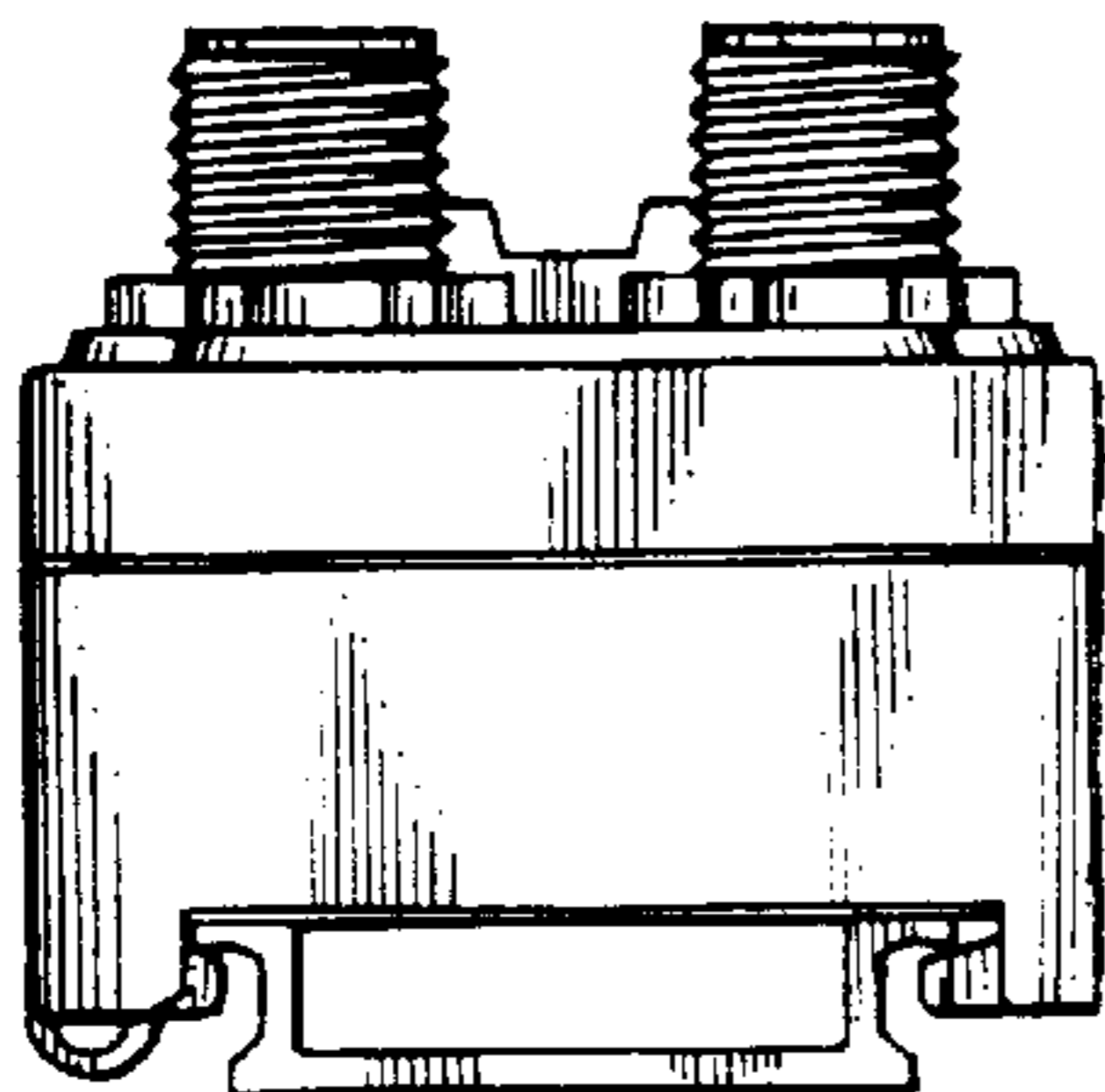
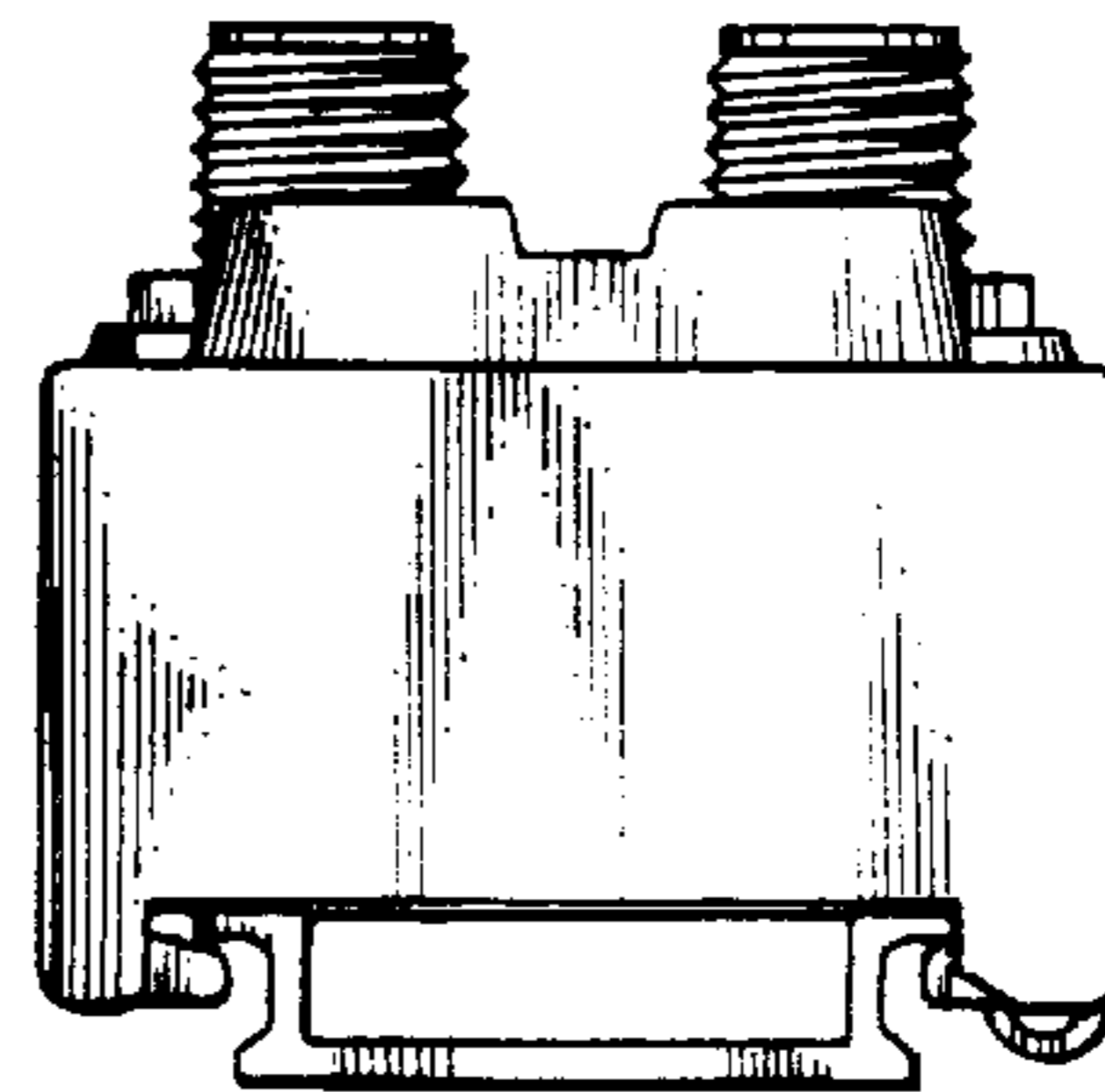


FIG. 5



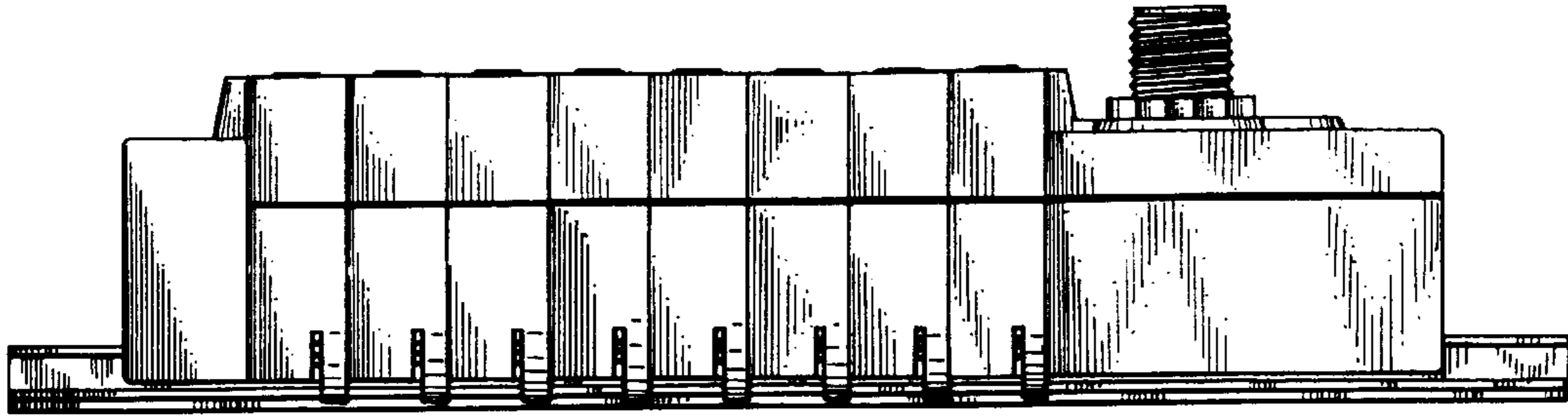


FIG. 6

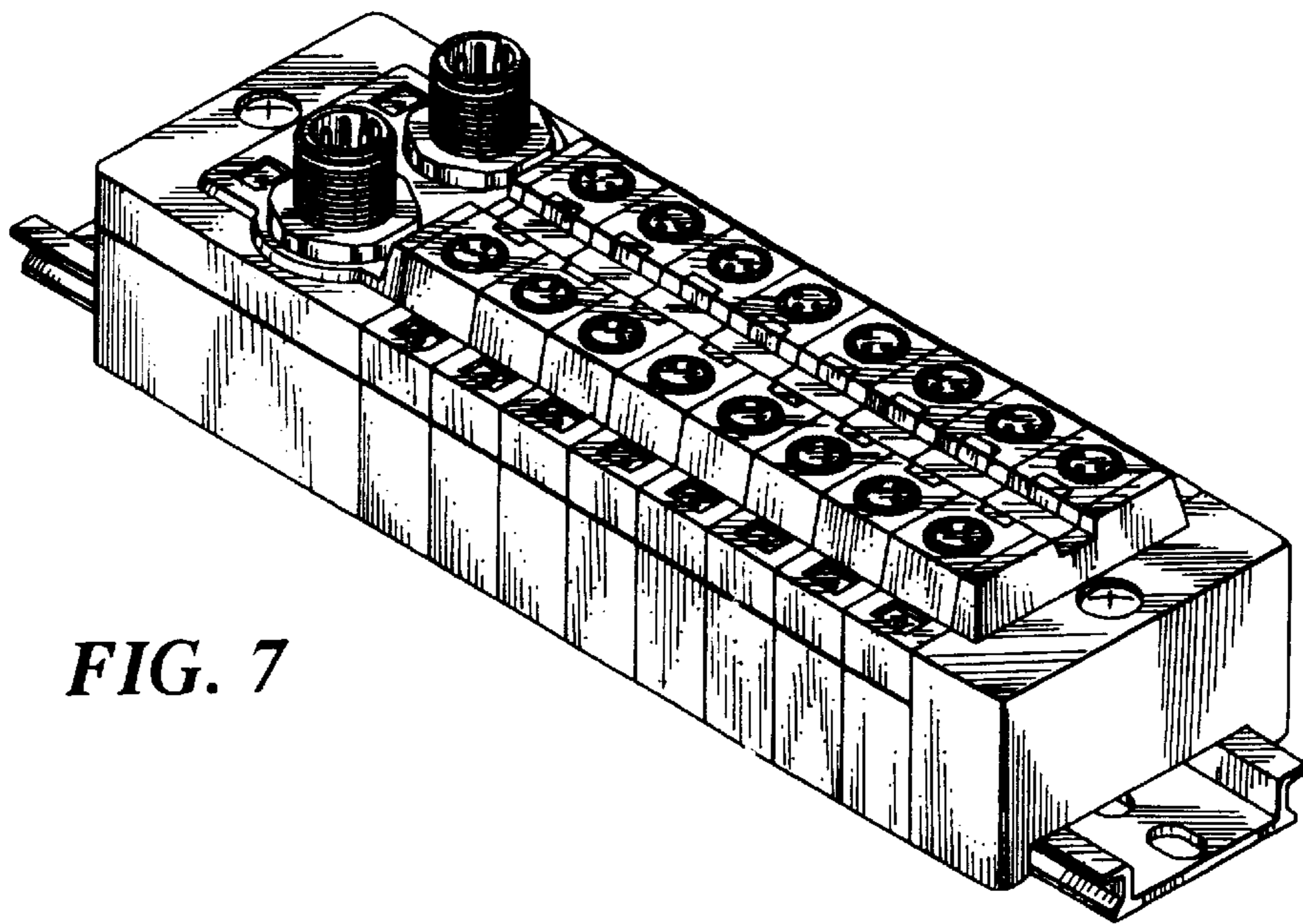


FIG. 7

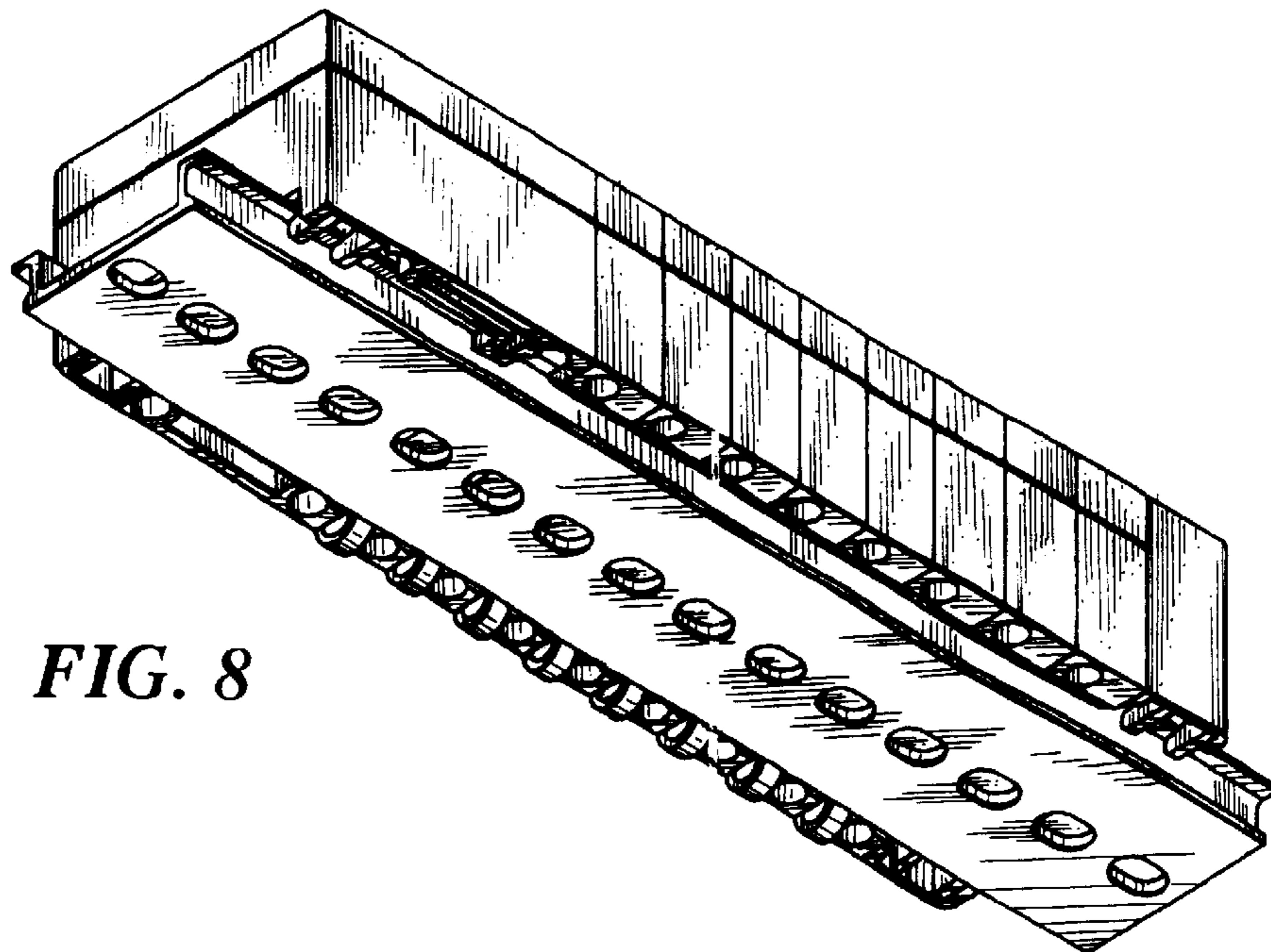


FIG. 8