



US00D439881S

(12) **United States Design Patent**
Choi

(10) **Patent No.:** **US D439,881 S**

(45) **Date of Patent:** **** Apr. 3, 2001**

(54) **ELECTRICAL PLUG**

(75) Inventor: **Lung Wai Choi, Kowloon (HK)**

(73) Assignee: **Goodway Electrical Co. Ltd.,
Kowloon (HK)**

(**) Term: **14 Years**

(21) Appl. No.: **29/115,102**

(22) Filed: **Dec. 8, 1999**

(30) **Foreign Application Priority Data**

Jun. 23, 1999 (GB) 2084363

(51) **LOC (7) Cl.** **13-03**

(52) **U.S. Cl.** **D13/145**

(58) **Field of Search** D13/145; 219/435,
219/441; 337/381; 338/22 R, 28

(56) **References Cited**

U.S. PATENT DOCUMENTS

- 2,830,166 * 4/1958 Loomis 219/441
- 2,856,489 * 10/1958 Bletz 219/435 X
- 2,926,230 * 2/1960 Foster 337/381

- 3,007,028 * 10/1961 Sorenson 337/381 X
- 3,019,320 * 1/1962 Braski et al. 219/435 X
- 3,095,498 * 6/1963 Foster 219/441
- 3,209,105 * 9/1965 Price 337/381 X
- 3,218,434 * 11/1965 Lee et al. 219/435
- 4,163,963 * 8/1979 Ryckman, Jr. 338/28

* cited by examiner

Primary Examiner—Joel Sincavage

(74) *Attorney, Agent, or Firm*—Christensen O'Connor
Johnson Kindness PLLC

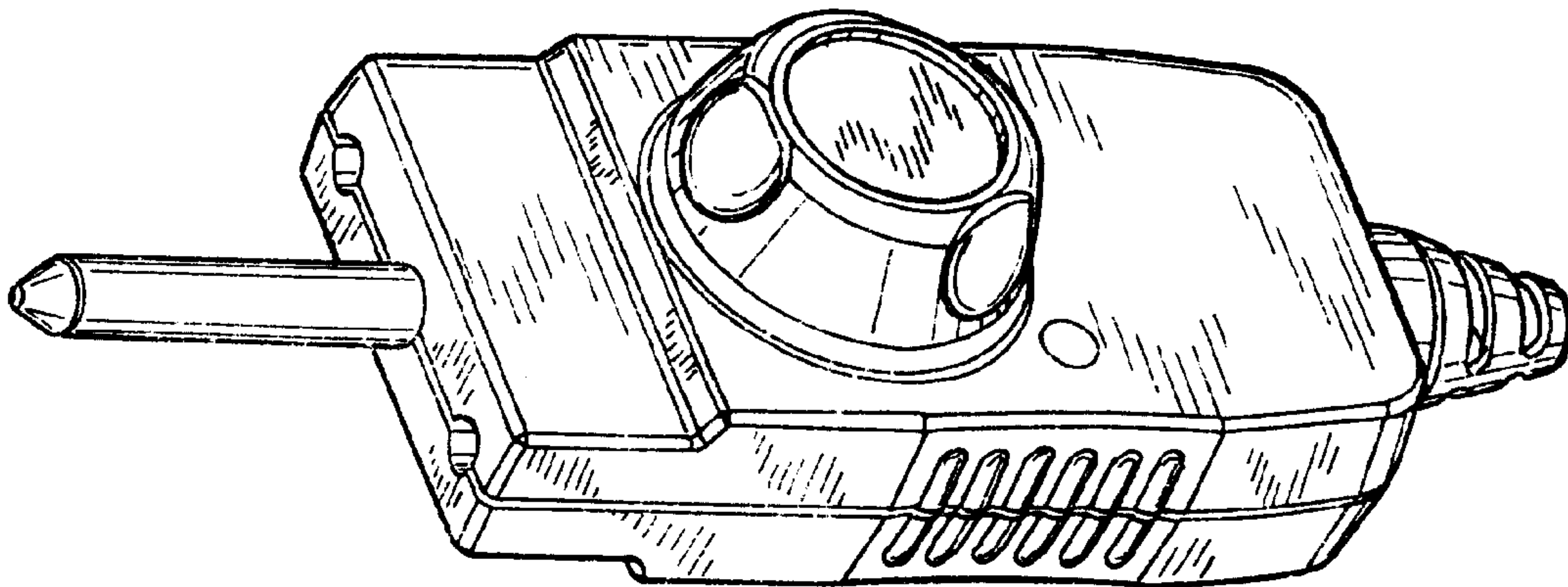
(57) **CLAIM**

I claim the ornamental design for an electrical plug, as shown and described.

DESCRIPTION

FIG. 1 is a perspective view of my new electrical plug;
FIG. 2 is a top view thereof;
FIG. 3 is a bottom view thereof;
FIG. 4 is a left side view thereof;
FIG. 5 is a right side view thereof;
FIG. 6 is a front view thereof; and,
FIG. 7 is a rear view thereof.

1 Claim, 2 Drawing Sheets



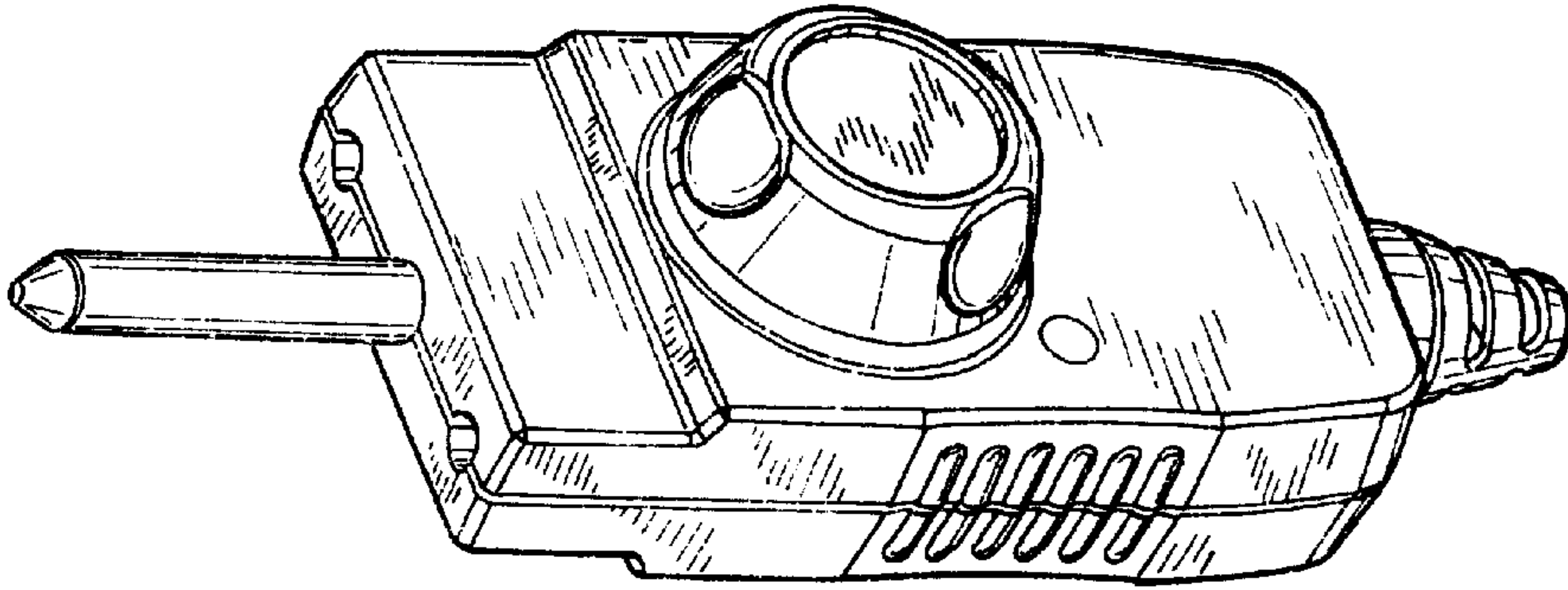


FIG 1

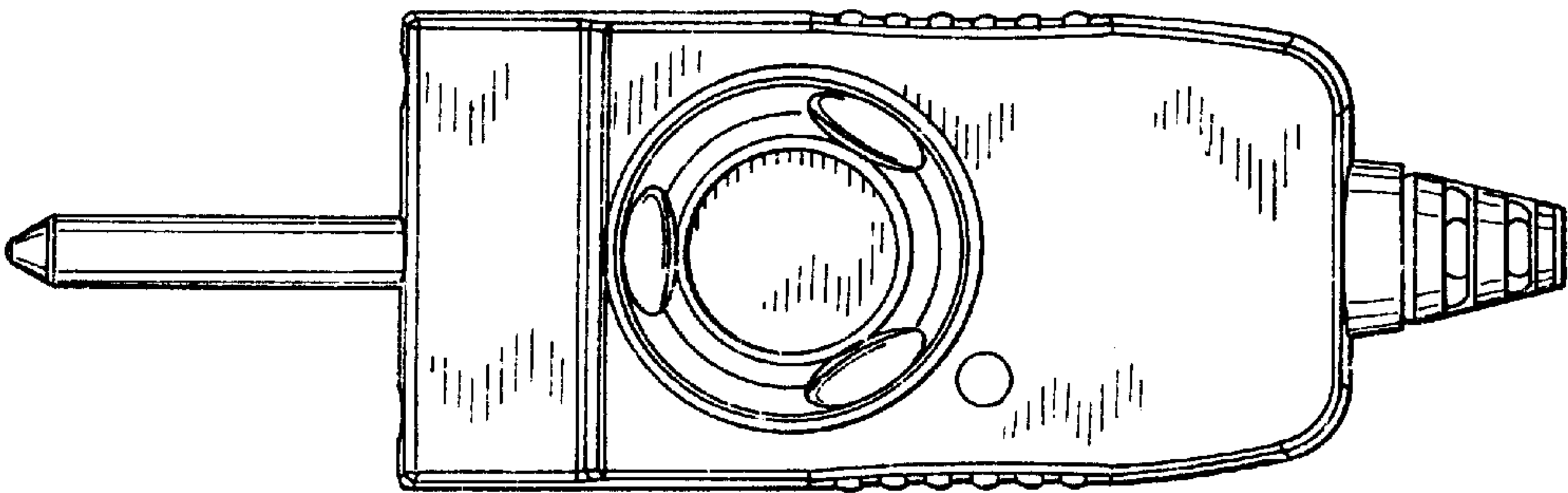


FIG 2

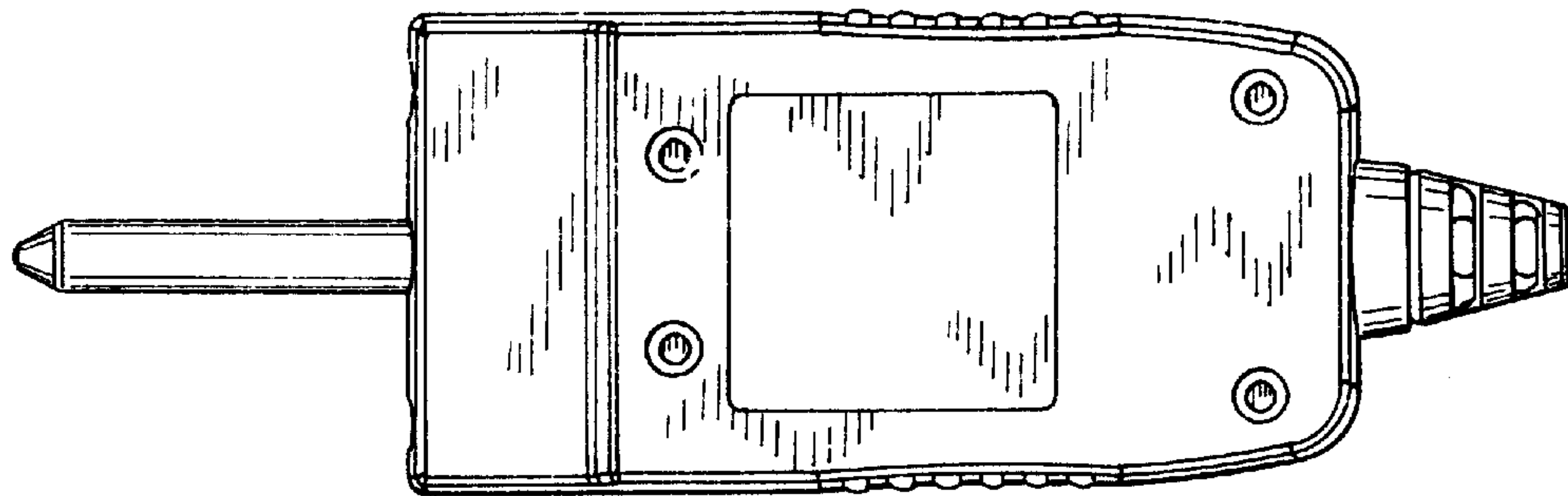


FIG 3

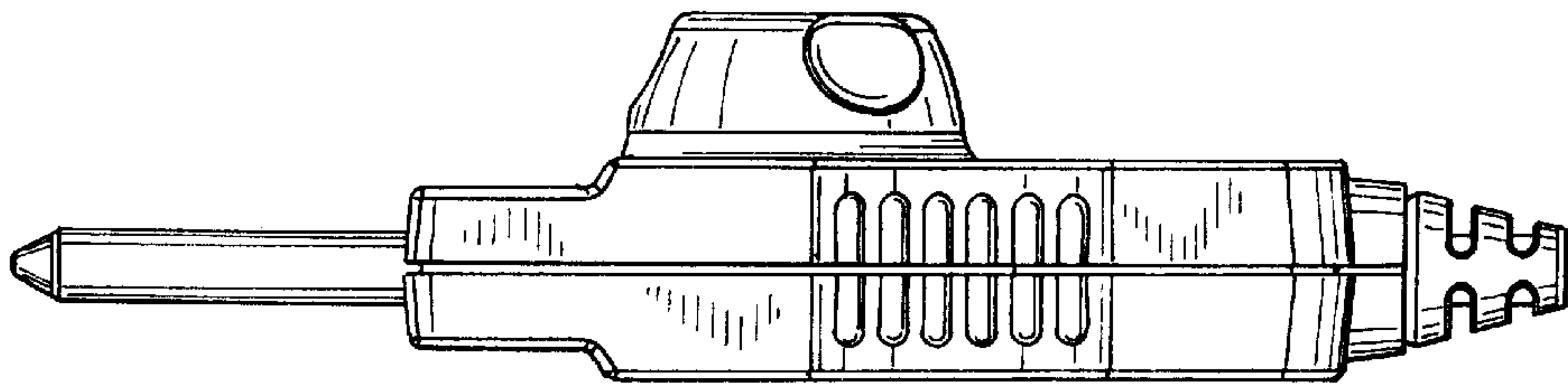


FIG 4

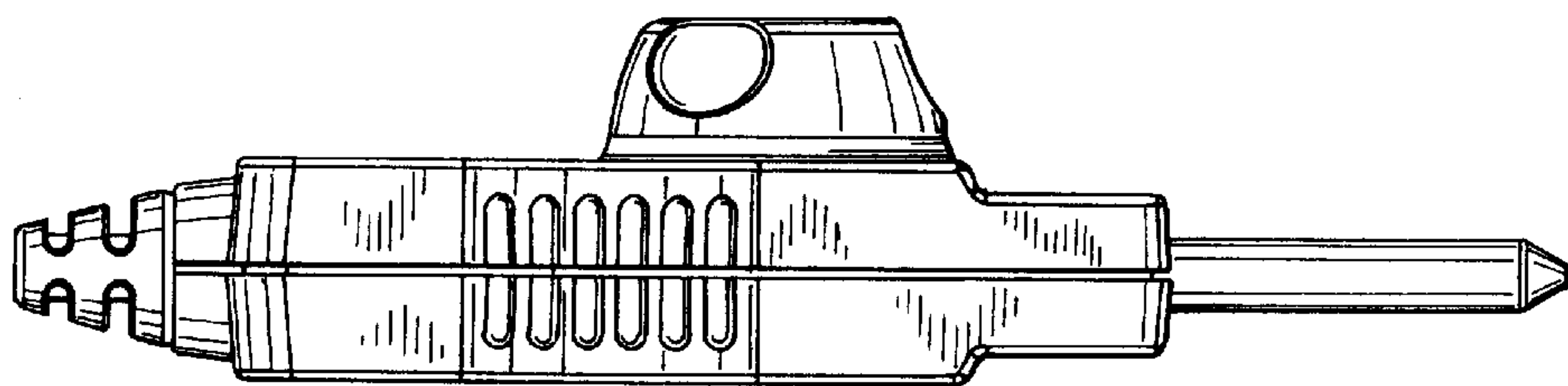


FIG 5

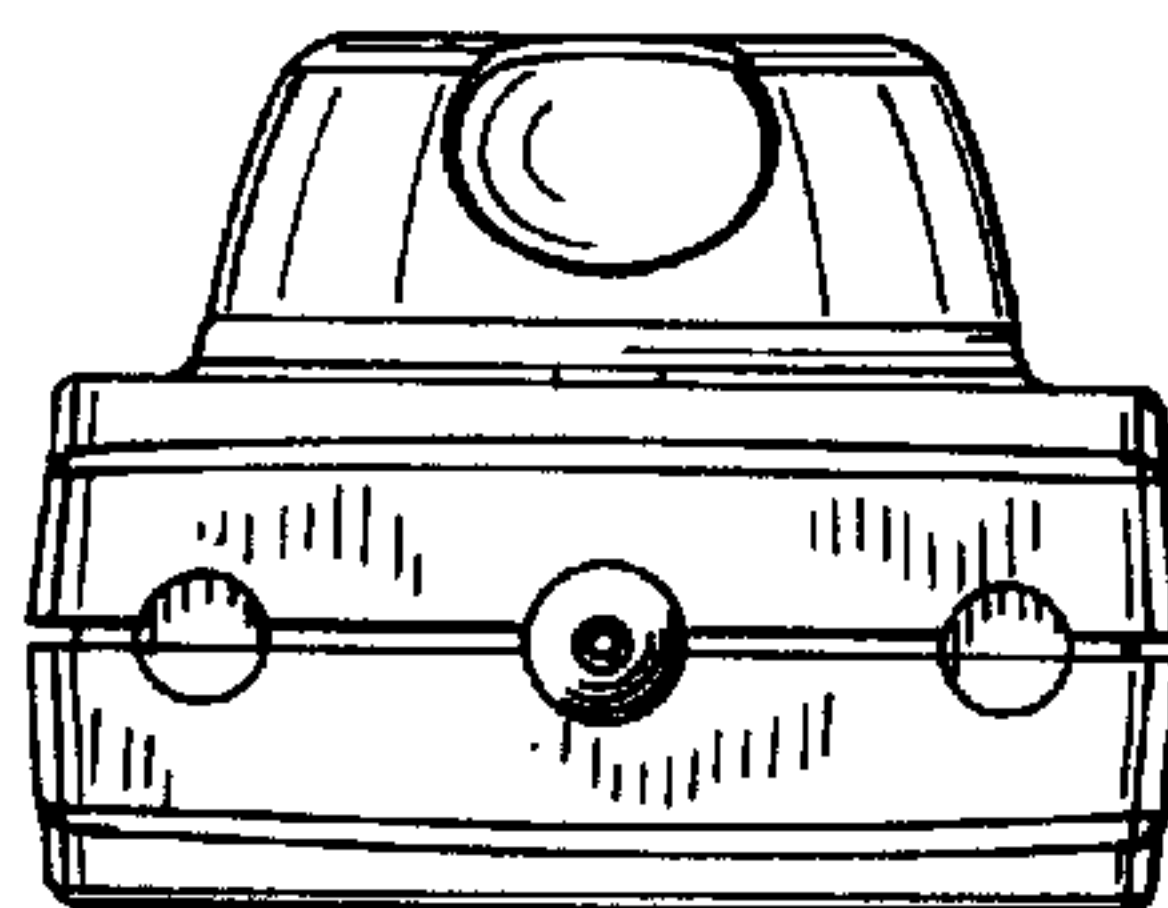


FIG 6

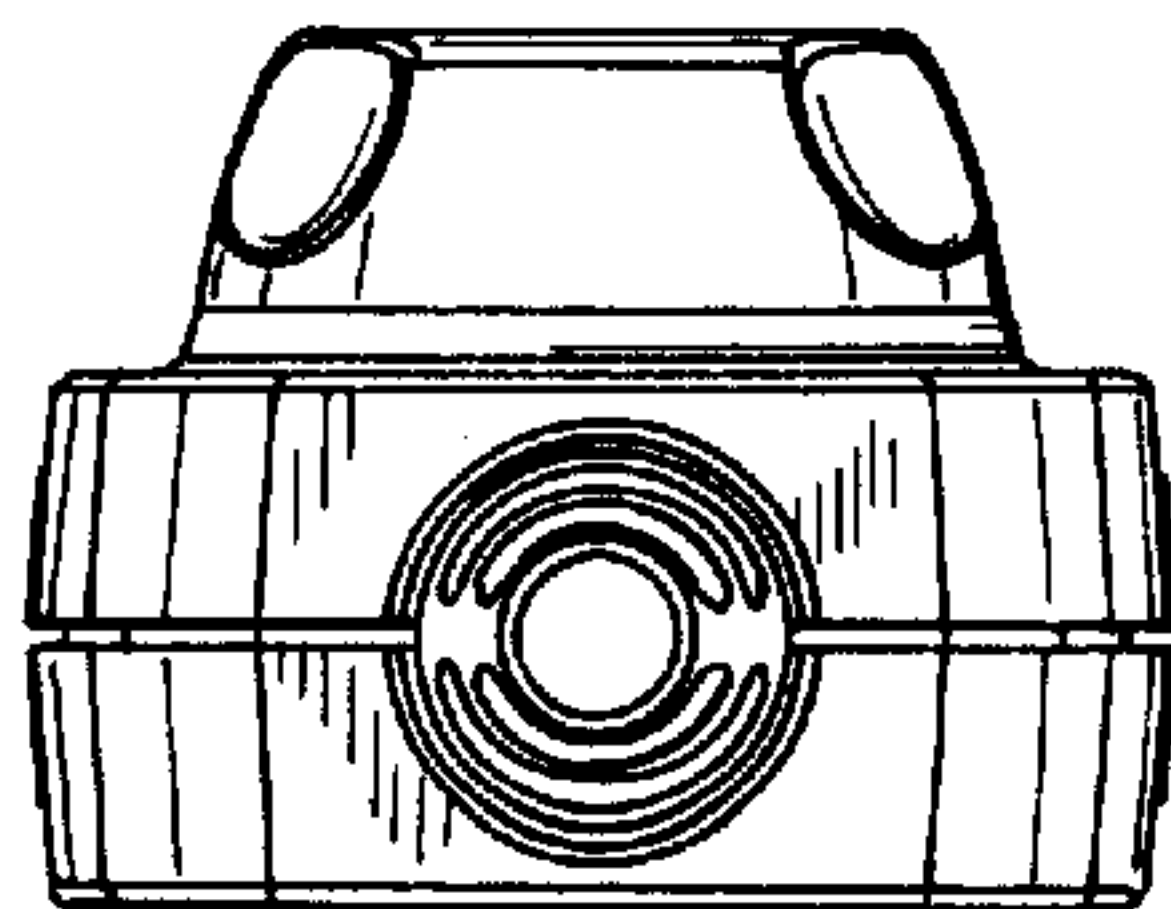


FIG 7