



US00D439880S

(12) **United States Design Patent** (10) **Patent No.:** **US D439,880 S**  
**Won** (45) **Date of Patent:** **\*\* Apr. 3, 2001**

(54) **BUBBLE BASE OF AN ORNAMENT LAMP**

5,969,469 \* 10/1999 Wang ..... 313/318.1  
 6,004,006 \* 12/1999 Wang ..... 362/249  
 6,053,620 \* 4/2000 Won ..... 362/96  
 6,068,229 \* 5/2000 Wang et al. .... 248/314

(76) Inventor: **Jen-Chen Won**, P.O. Box 96-405,  
Taipei 106 (TW)

(\*\*) Term: **14 Years**

\* cited by examiner

(21) Appl. No.: **29/116,512**

*Primary Examiner*—Joel Sincavage

(22) Filed: **Dec. 31, 1999**

(57) **CLAIM**

(51) **LOC (7) Cl.** ..... **13-03**

The ornamental design for a bubble base of an ornament lamp, as shown and described.

(52) **U.S. Cl.** ..... **D13/134**

**DESCRIPTION**

(58) **Field of Search** ..... D13/134; 362/396,  
362/806, 249, 391; 439/356, 575, 619,  
699.2

FIG. 1 is a perspective view of bubble base of an ornament lamp showing my new design; the broken lines are for environmental purposes only and form no part of the claimed design;

(56) **References Cited**

**U.S. PATENT DOCUMENTS**

D. 354,269	*	1/1995	Liu	.....	D13/134
4,802,072	*	1/1989	Kau	.....	362/238
5,584,567	*	12/1996	Rumpel	.....	362/249
5,632,552	*	5/1997	Wang et al.	.....	362/396
5,669,707	*	9/1997	Huang	.....	362/249
5,697,698	*	12/1997	Huang	.....	362/226
5,839,820	*	11/1998	Huang	.....	362/252

FIG. 2 is a front elevational view;

FIG. 3 is a rear elevational view;

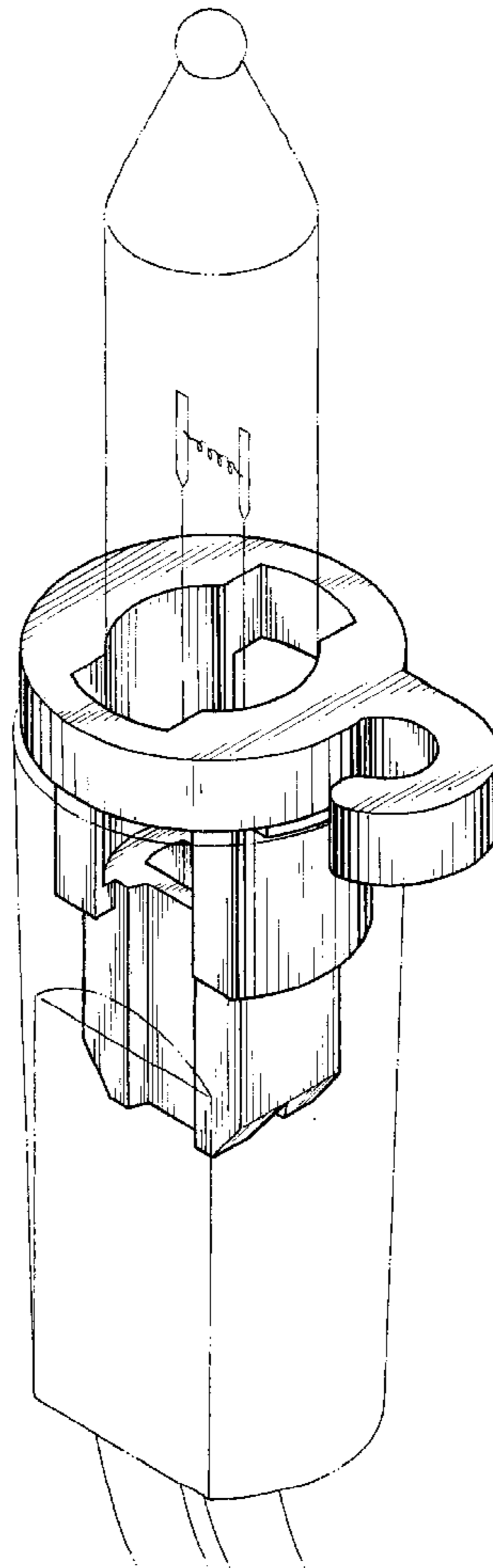
FIG. 4 is a left side elevational view;

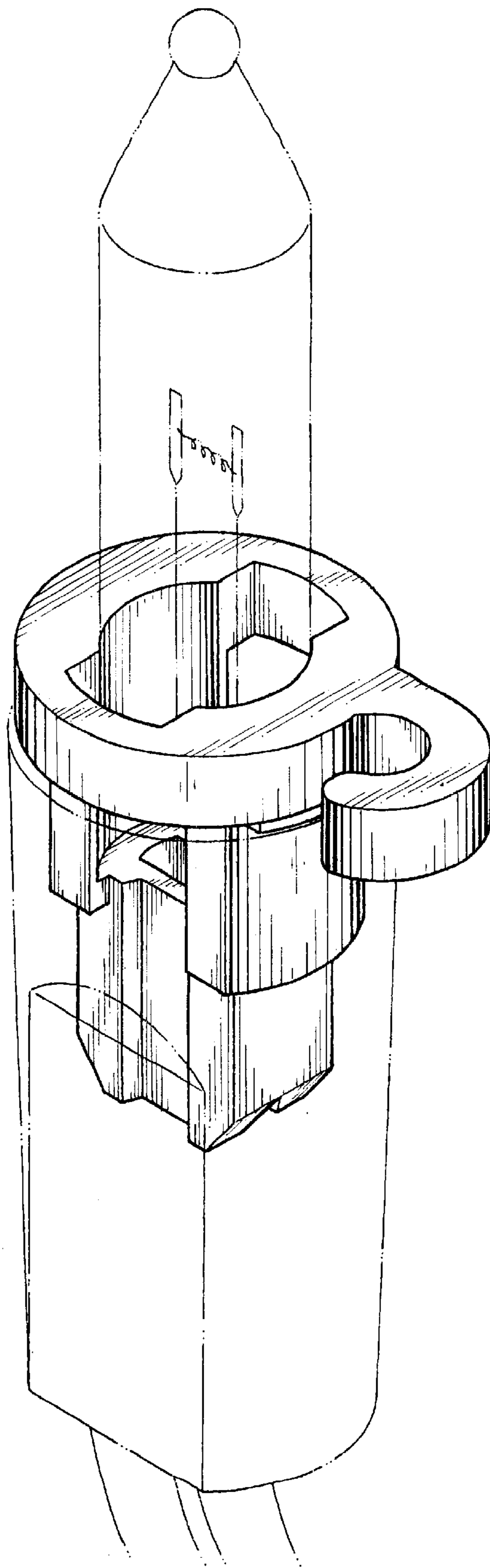
FIG. 5 is a right side elevational view;

FIG. 6 is a top plan view; and,

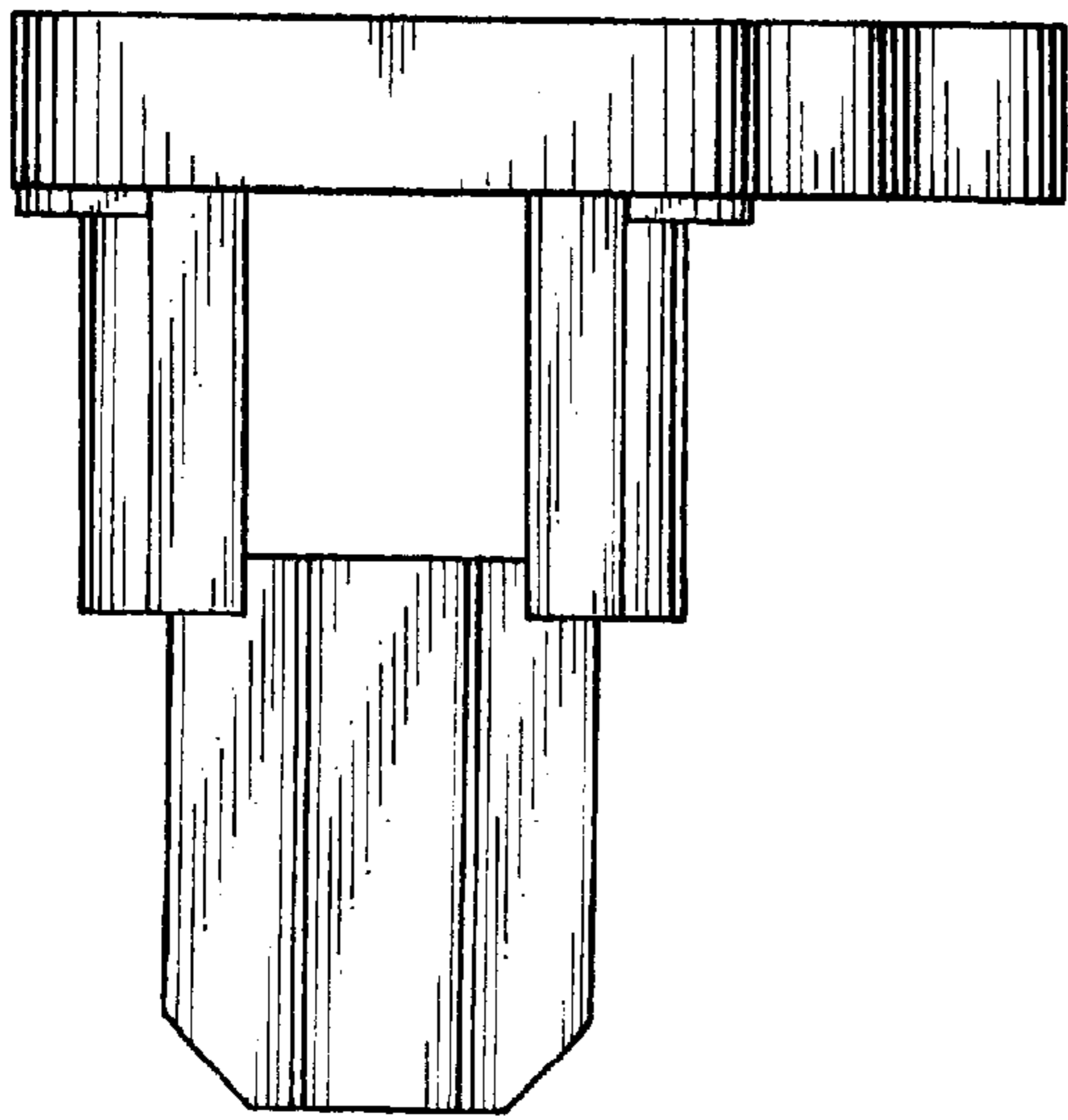
FIG. 7 is a bottom plan view.

**1 Claim, 3 Drawing Sheets**

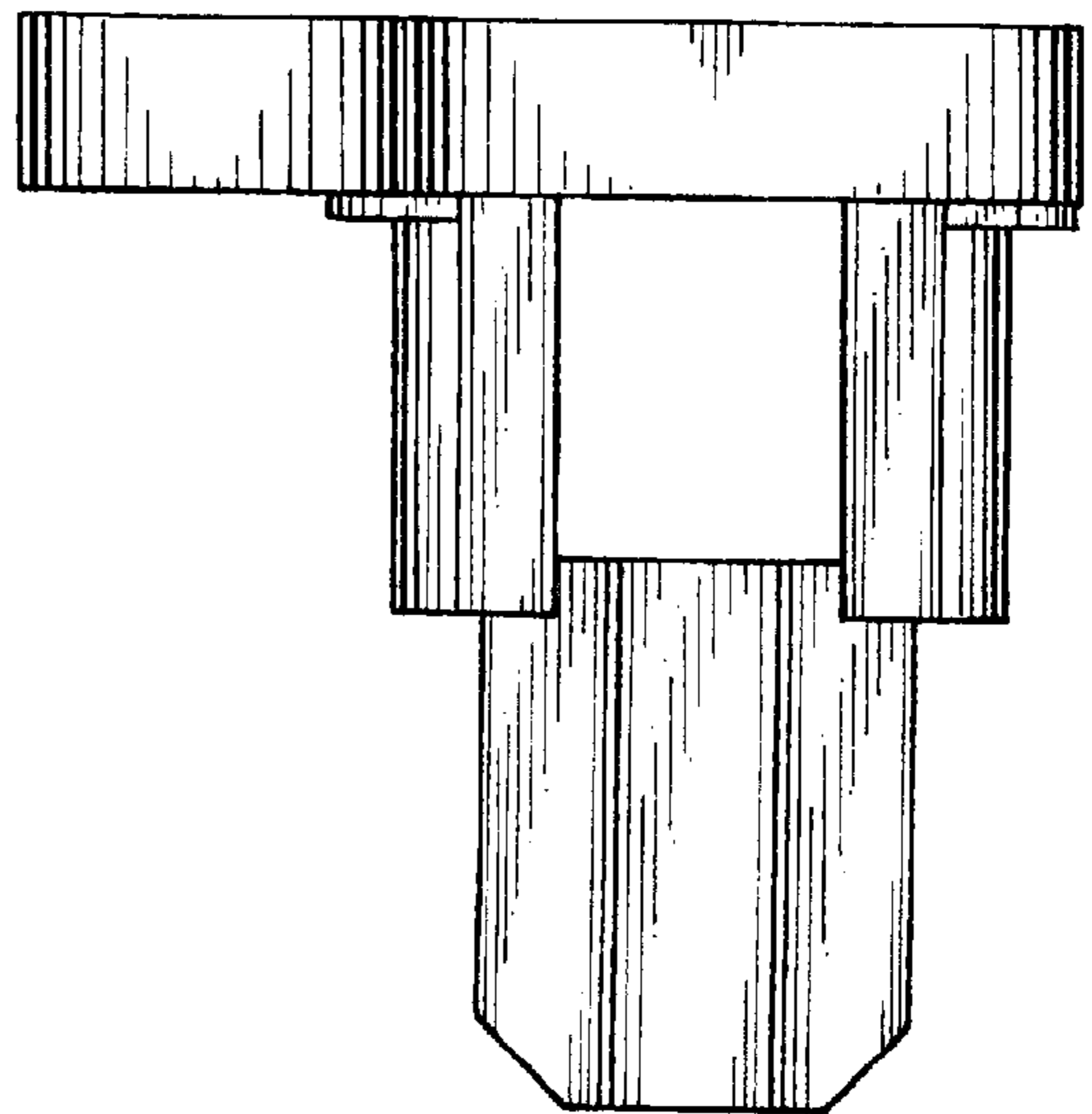




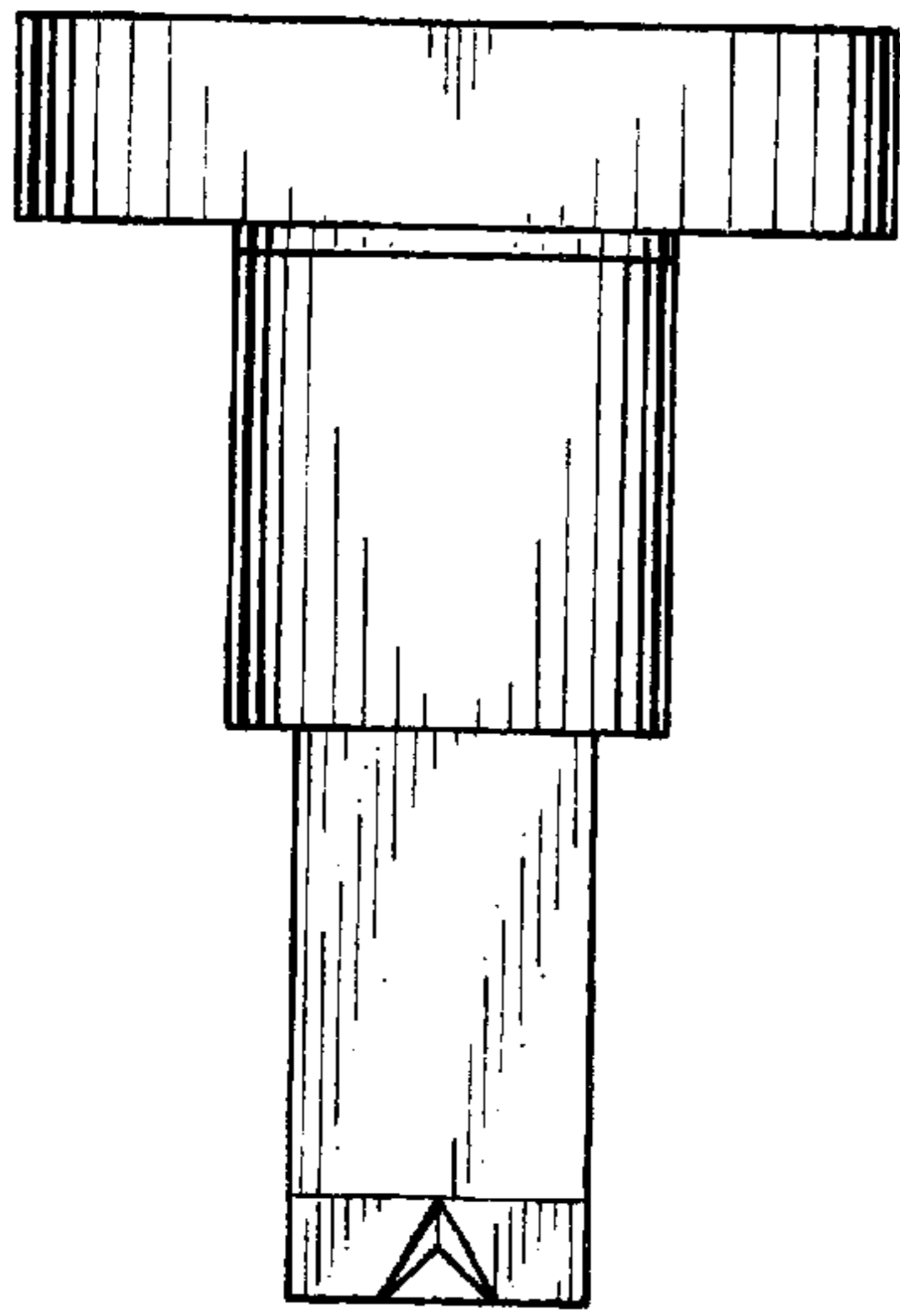
**FIG. 1**



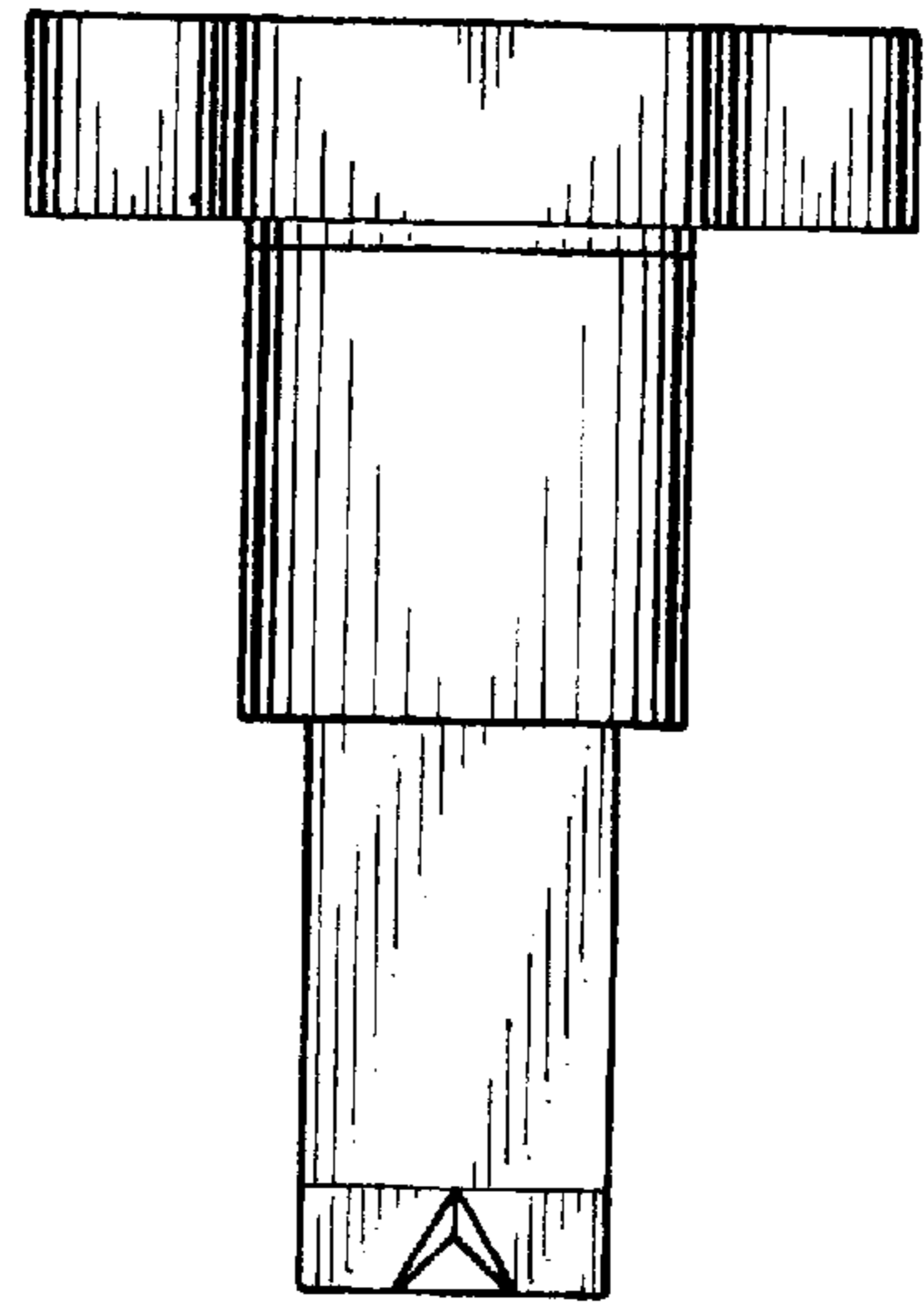
**FIG. 2**



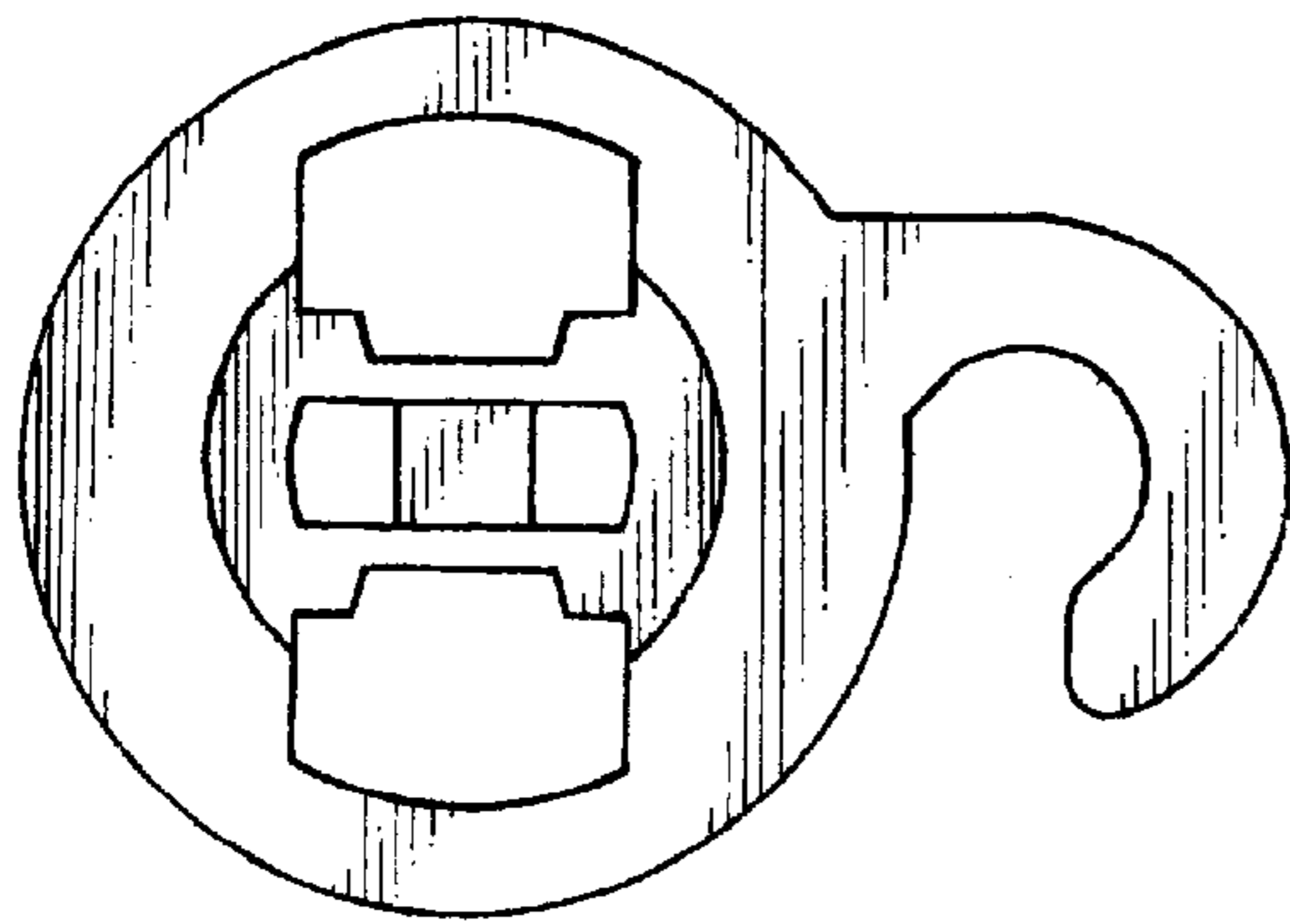
**FIG. 3**



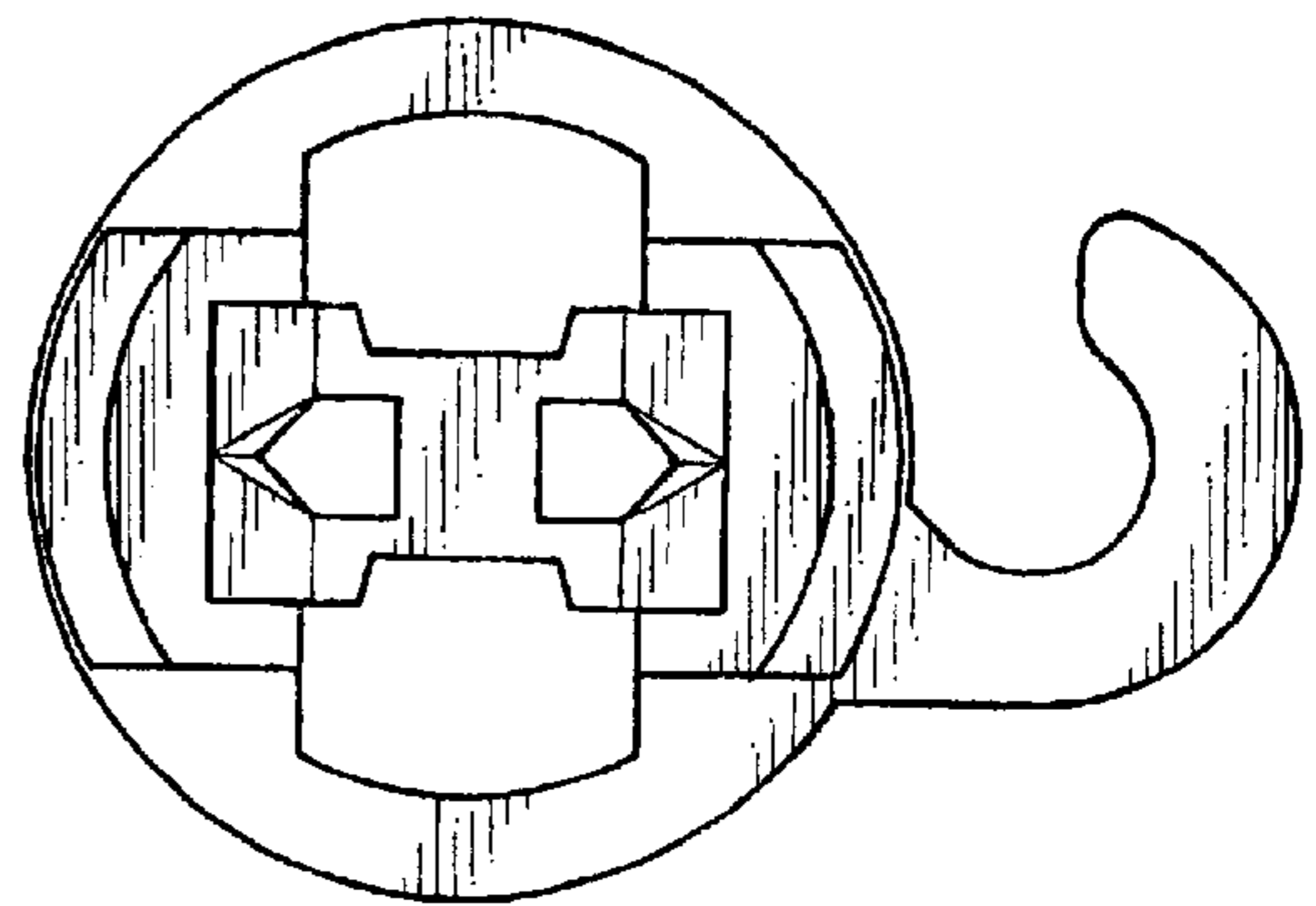
**FIG. 4**



**FIG. 5**



**FIG. 6**



**FIG. 7**

UNITED STATES PATENT AND TRADEMARK OFFICE  
**CERTIFICATE OF CORRECTION**

PATENT NO. : Des 429,880  
DATED : August 29, 2000  
INVENTOR(S) : Lloyd Maurice McCullough, Jr.; Joe Edmond Pryor, Jr.

Page 1 of 1

It is certified that error appears in the above-identified patent and that said Letters Patent is hereby corrected as shown below:

Title page.

The name of the first named inventor is misspelled. The correct spelling of his name is Lloyd Maurice McCullough, Jr.

The description of Figure 4 contains a misspelling. The description of FIG. 4 should actually read: Fig 4 is a bottom plan view thereof;

Signed and Sealed this

Eleventh Day of December, 2001

Attest:

*Nicholas P. Godici*

Attesting Officer

NICHOLAS P. GODICI  
Acting Director of the United States Patent and Trademark Office