



US00D439877S

(12) **United States Design Patent**
Vacheron et al.

(10) **Patent No.:** **US D439,877 S**

(45) **Date of Patent:** **** Apr. 3, 2001**

(54) **BATTERY HOUSING**

(75) Inventors: **Robert Vacheron**, Smyrna; **George Schmitz**, Atlanta, both of GA (US); **Jerry Matuszewski**, Streamwood; **Terry Goedken**, Mundelein, both of IL (US); **Venus Desai**, Lawrenceville, GA (US)

(73) Assignee: **Motorola, Inc.**, Schaumburg, IL (US)

(**) Term: **14 Years**

(21) Appl. No.: **29/095,880**

(22) Filed: **Nov. 1, 1998**

(51) **LOC (7) Cl.** **13-02**

(52) **U.S. Cl.** **D13/103**

(58) **Field of Search** D13/103; 429/96-100,
429/163, 176

(56) **References Cited**

U.S. PATENT DOCUMENTS

- D. 383,725 * 9/1997 Settsu D13/103
- D. 387,727 * 12/1997 Settsu et al. D13/103
- D. 400,496 * 11/1998 Barber et al. D13/103

- D. 400,848 * 11/1998 Clark et al. D13/103
- D. 411,165 * 6/1999 Deslyper et al. D13/103

* cited by examiner

Primary Examiner—Joel Sincavage

(74) *Attorney, Agent, or Firm*—Felipe J. Farley; Philip H. Burrus, II

(57) **CLAIM**

The ornamental design for a battery housing, as shown and described.

DESCRIPTION

FIG. 1 is an isometric view of a battery housing showing our new design;

FIG. 2 is a also an isometric view thereof;

FIG. 3 is a left side view thereof;

FIG. 4 is a right side view thereof;

FIG. 5 is a front view thereof;

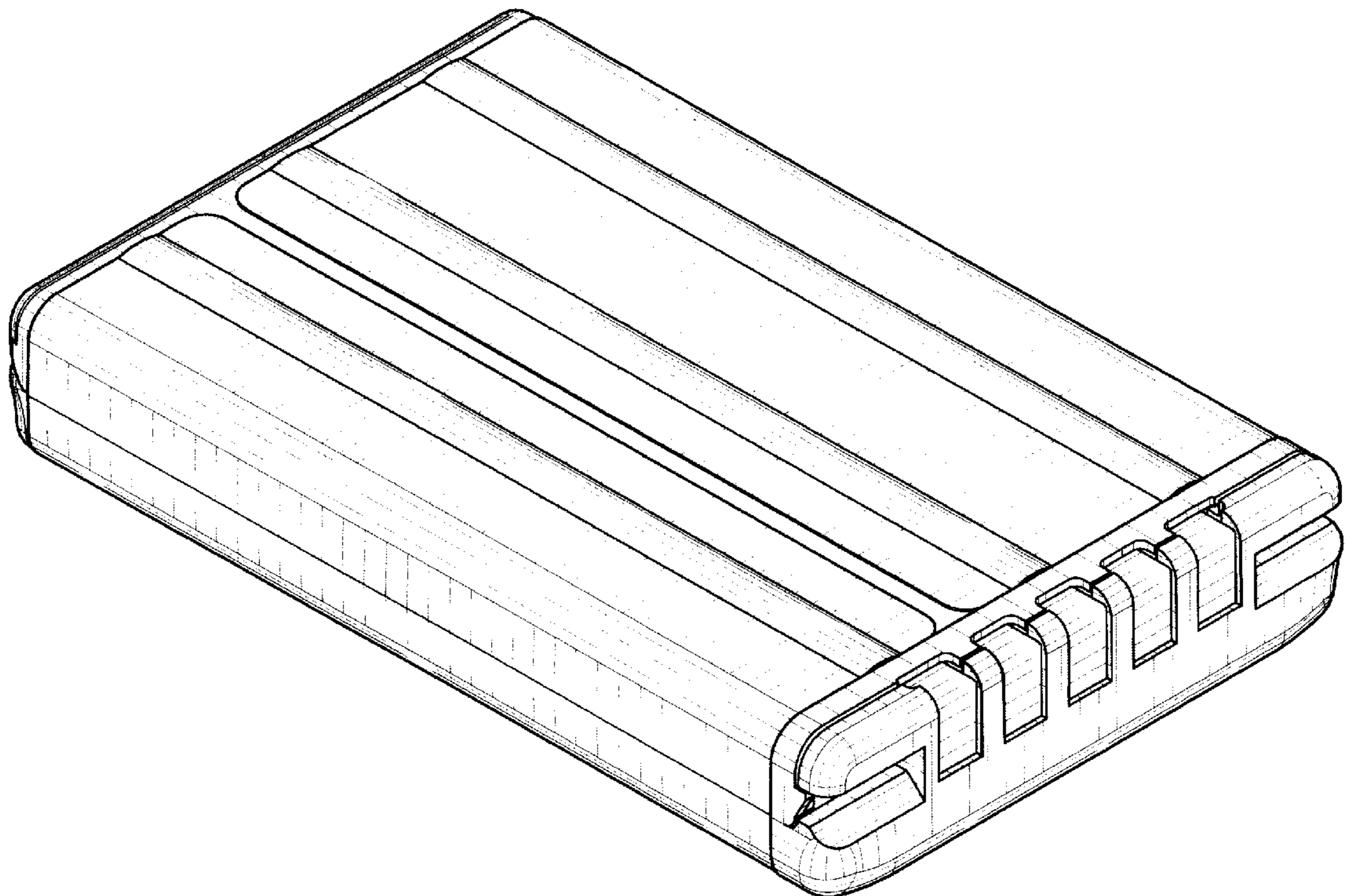
FIG. 6 is a rear view thereof;

FIG. 7 is a top plan view thereof; and,

FIG. 8 is a bottom plan view thereof.

The rectangular broken lines in FIGS. 5, 6, and 8 indicate by outline unclaimed subject matter.

1 Claim, 6 Drawing Sheets



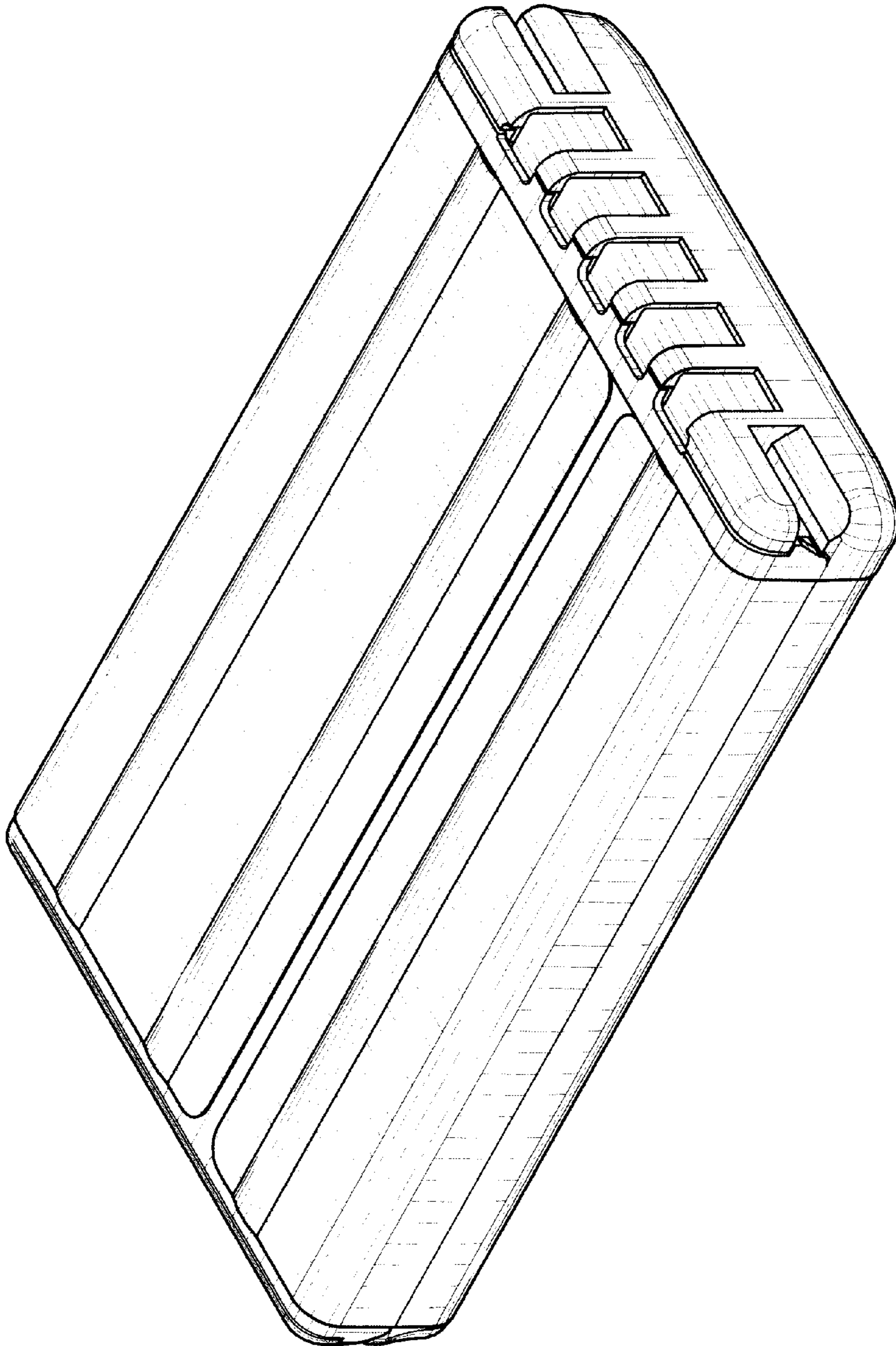


FIG. 1

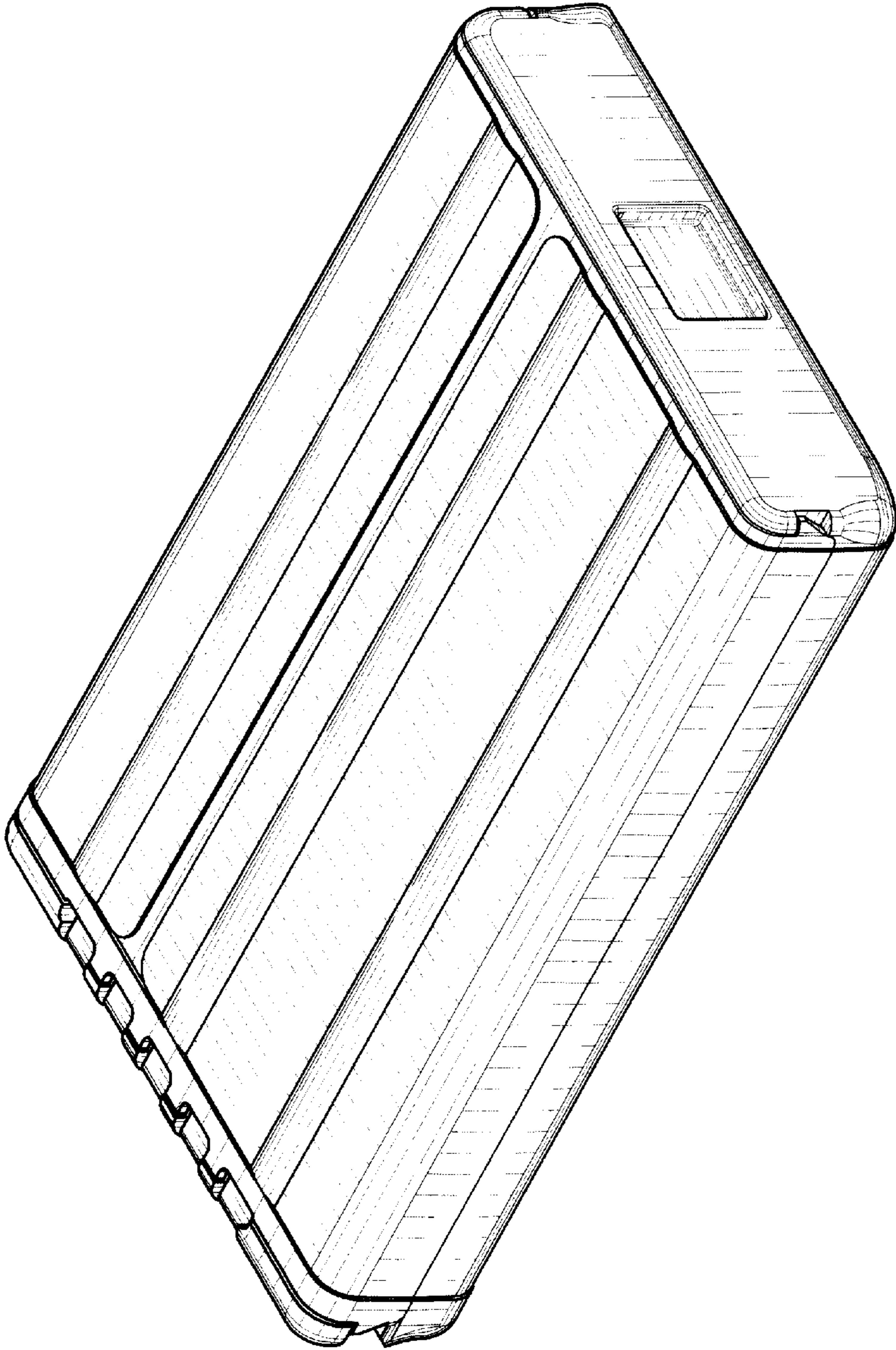


FIG. 2

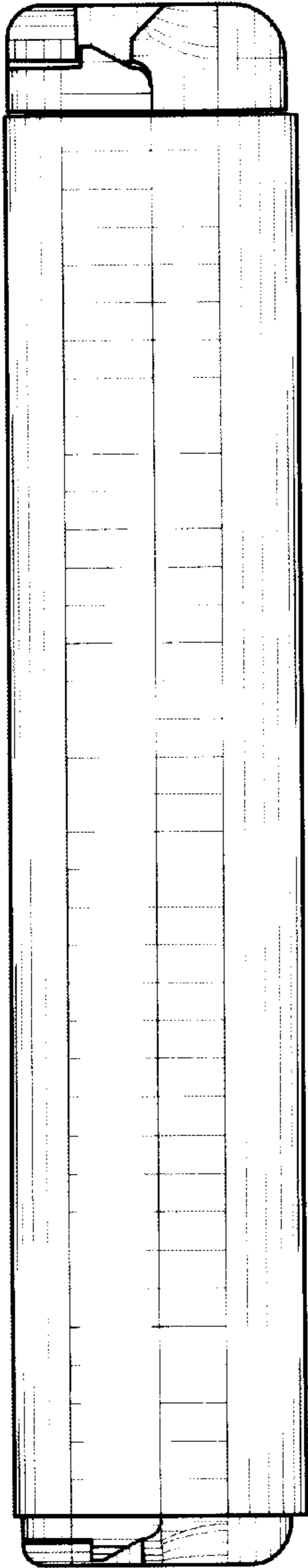


FIG. 3

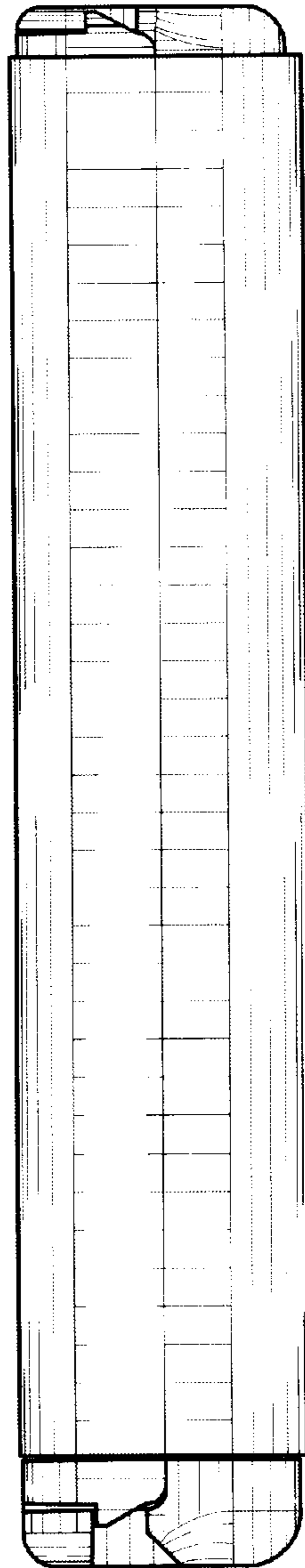


FIG. 4

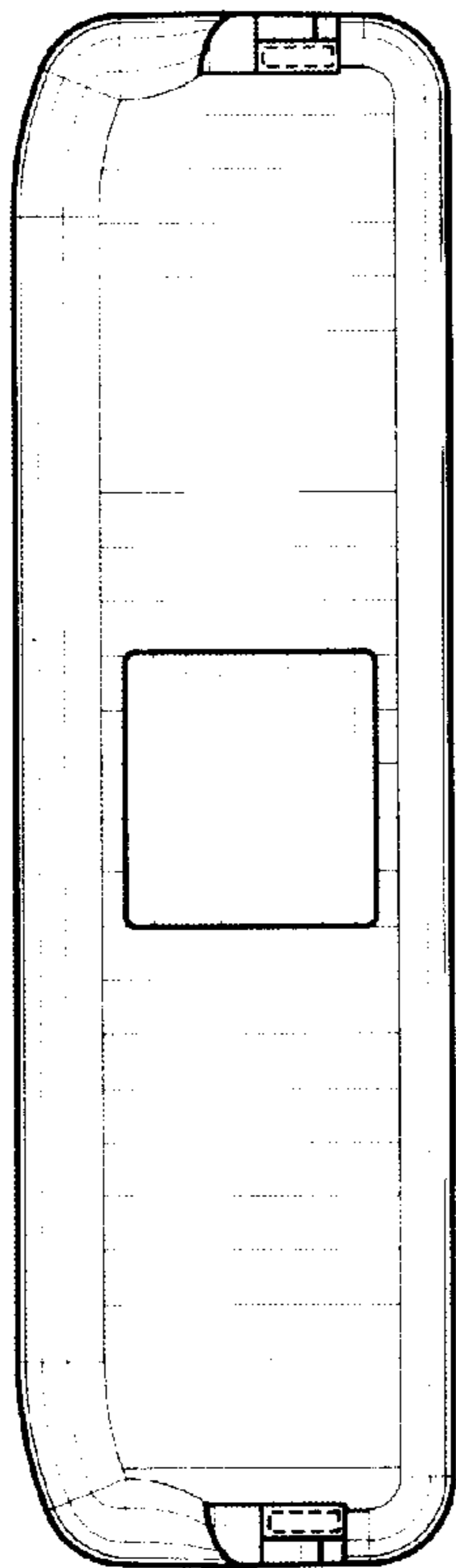


FIG. 5

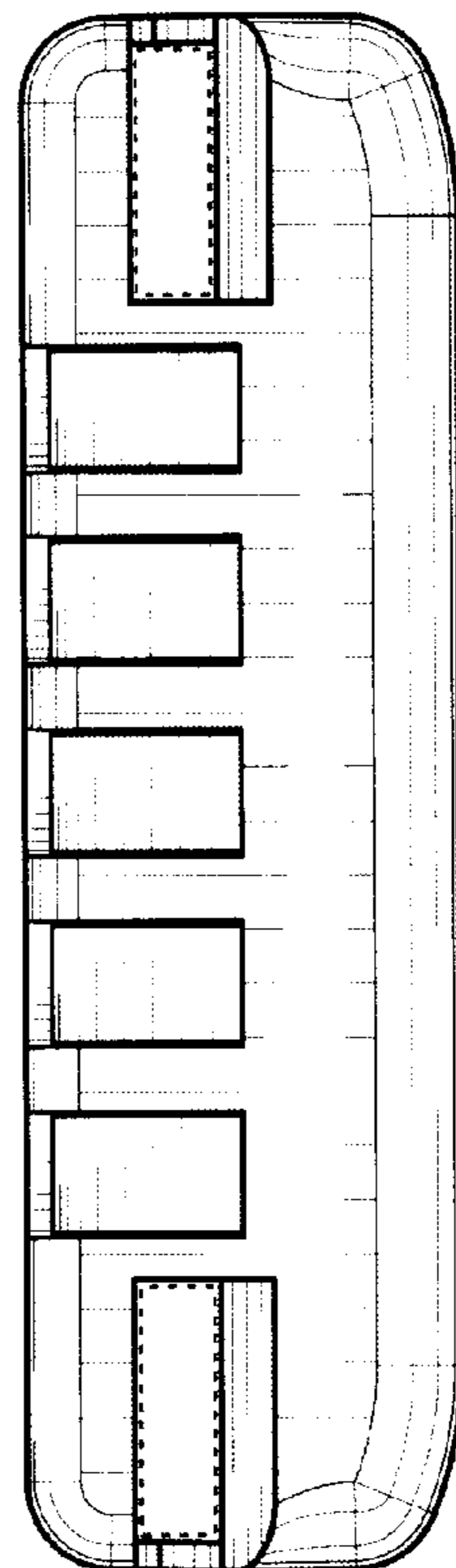


FIG. 6

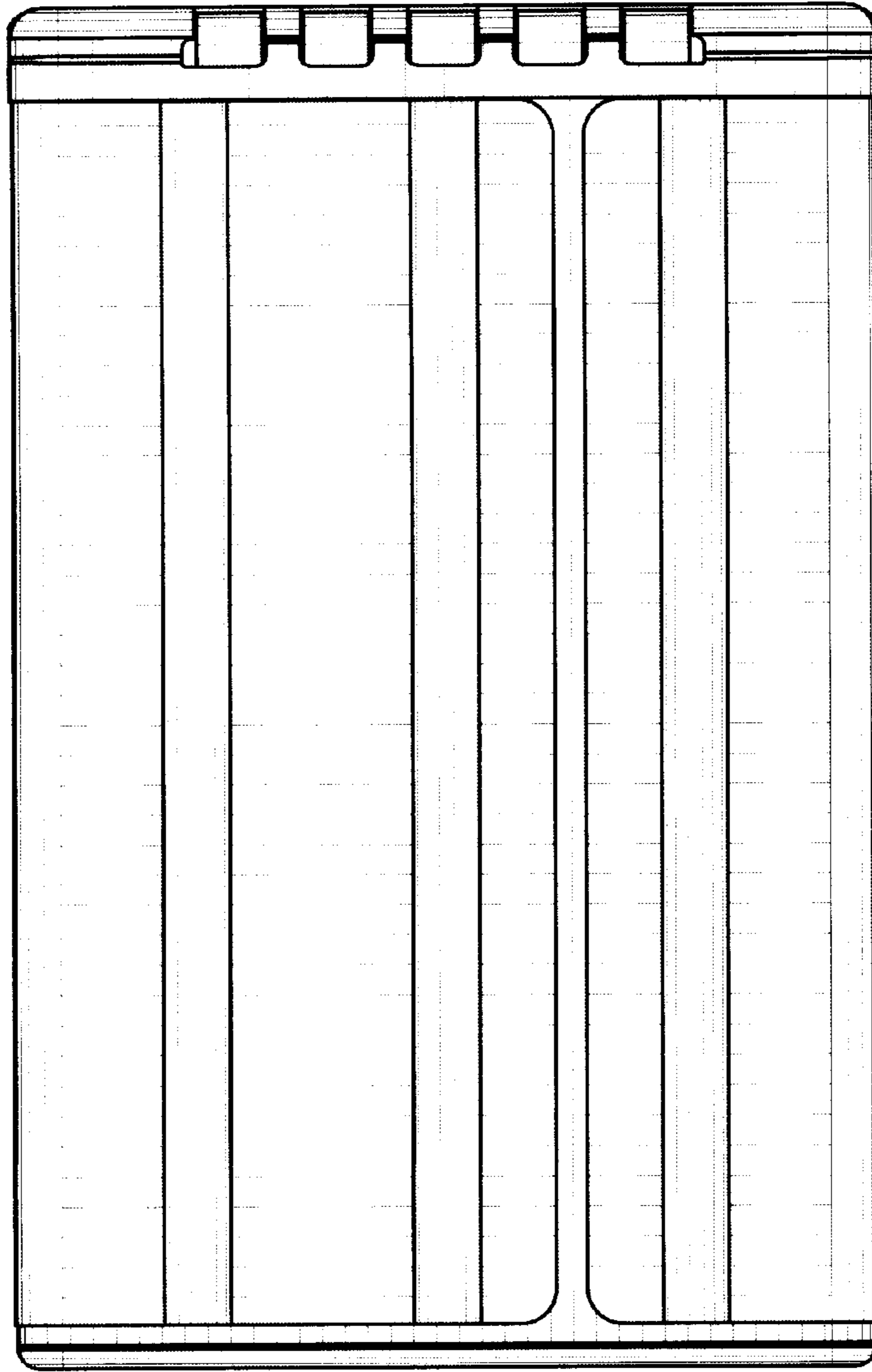


FIG. 7

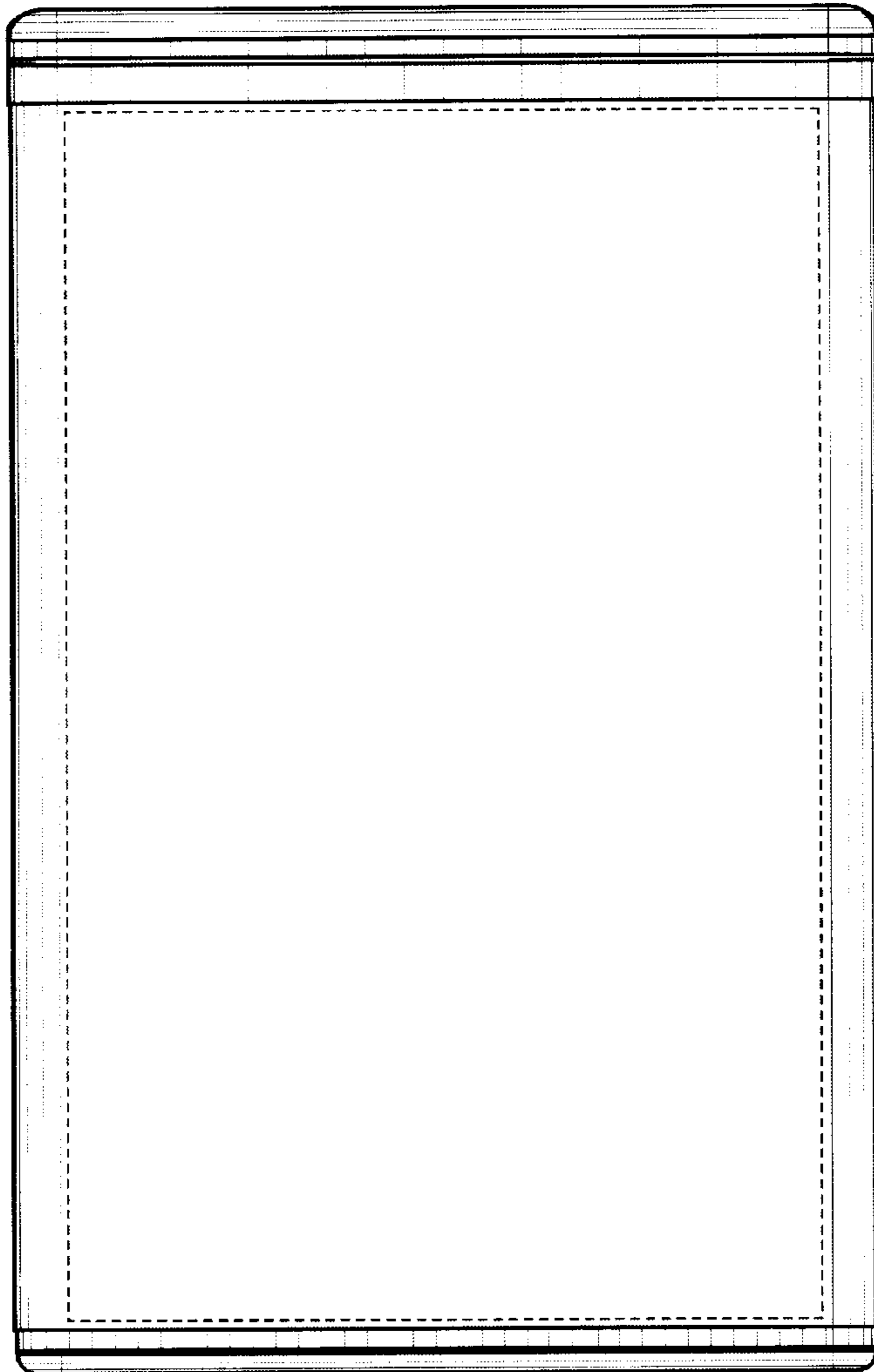


FIG. 8

UNITED STATES PATENT AND TRADEMARK OFFICE
CERTIFICATE OF CORRECTION

PATENT NO. : Des 439,877 S
DATED : April 3, 2001
INVENTOR(S) : Vacheron et al.

Page 1 of 1

It is certified that error appears in the above-identified patent and that said Letters Patent is hereby corrected as shown below:


Title page,

Attorney, Agent or Firm column reads "Burrus, II" should be -- Burrus, IV --.

Signed and Sealed this

Eighth Day of January, 2002

Attest:



Attesting Officer

JAMES E. ROGAN
Director of the United States Patent and Trademark Office