



US00D439873S

(12) **United States Design Patent**  
**Terasawa**

(10) **Patent No.:** **US D439,873 S**

(45) **Date of Patent:** **\*\* Apr. 3, 2001**

(54) **CALIPER HOUSING PORTION**

1025215 11/1998 (JP) .

1025221 11/1998 (JP) .

1025305 11/1998 (JP) .

(75) Inventor: **Youko Terasawa, Sakai (JP)**

(73) Assignee: **Shimano Inc., Osaka (JP)**

\* cited by examiner

(\*\*) Term: **14 Years**

*Primary Examiner*—Brian N. Vinson

(74) *Attorney, Agent, or Firm*—Shinju Global IP Counselors, LLP

(21) Appl. No.: **29/119,298**

(22) Filed: **Feb. 29, 2000**

(57) **CLAIM**

(51) **LOC (7) Cl.** ..... **12-16**

The ornamental design for a caliper housing portion, as shown and described.

(52) **U.S. Cl.** ..... **D12/180**

(58) **Field of Search** ..... D12/180; 188/71.1,  
188/73.3, 73.45

**DESCRIPTION**

(56) **References Cited**

**U.S. PATENT DOCUMENTS**

D. 373,340	*	9/1996	Sands	.....	D12/180
D. 378,363	*	3/1997	Sin	.....	D12/180
D. 413,292	*	8/1999	Jones	.....	D12/180
D. 426,180	*	6/2000	Pink et al.	.....	D12/180

FIG. 1 is a front elevational view of a caliper housing portion showing my new design.

FIG. 2 is a right side edge elevational view of the caliper housing portion illustrated in FIG. 1;

FIG. 3 is a left side edge elevational view of the caliper housing portion illustrated in FIGS. 1 and 2;

FIG. 4 is a bottom plan view of the caliper housing portion illustrated in FIGS. 1-3; and,

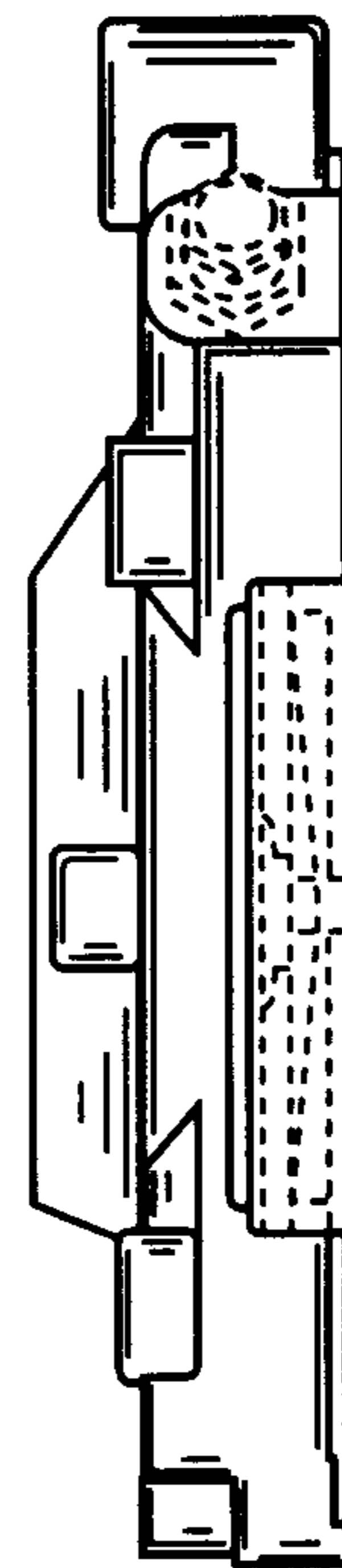
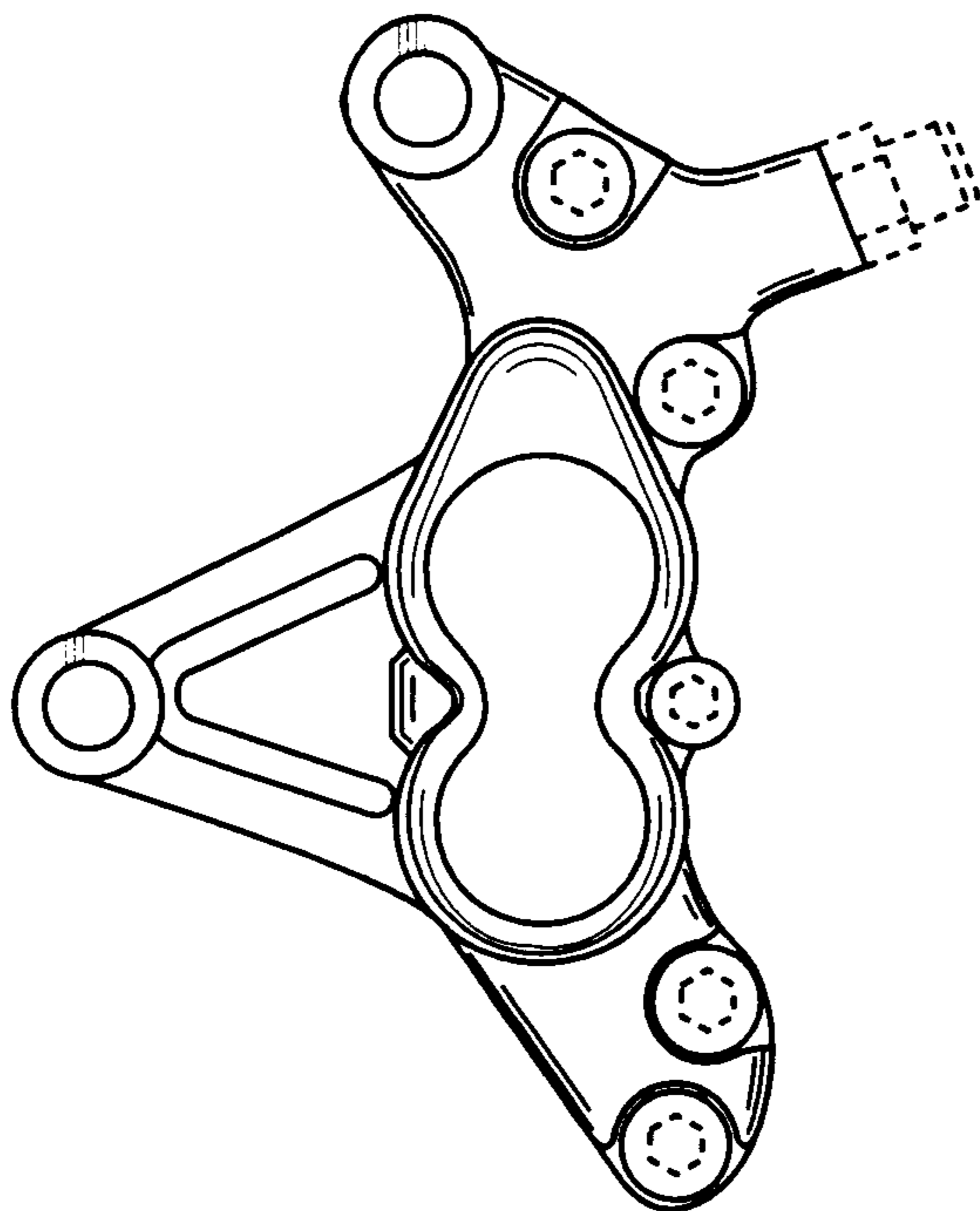
FIG. 5 is a top plan view of the caliper housing portion illustrated in FIGS. 1-4.

**FOREIGN PATENT DOCUMENTS**

717606	11/1987	(JP) .
488538	7/1992	(JP) .
776197	8/1992	(JP) .
860062	1/1993	(JP) .
860063	1/1993	(JP) .
860064	1/1993	(JP) .
953750	5/1996	(JP) .
953751	5/1996	(JP) .
953766	5/1996	(JP) .

The broken line showing of environment (the remaining structure of the disc brake caliper) in the Figures is for illustrative purposes only and forms no part of the claimed design. The inside surface of the caliper housing portion that faces the other caliper housing portion does not form part of the claimed design.

**1 Claim, 1 Drawing Sheet**



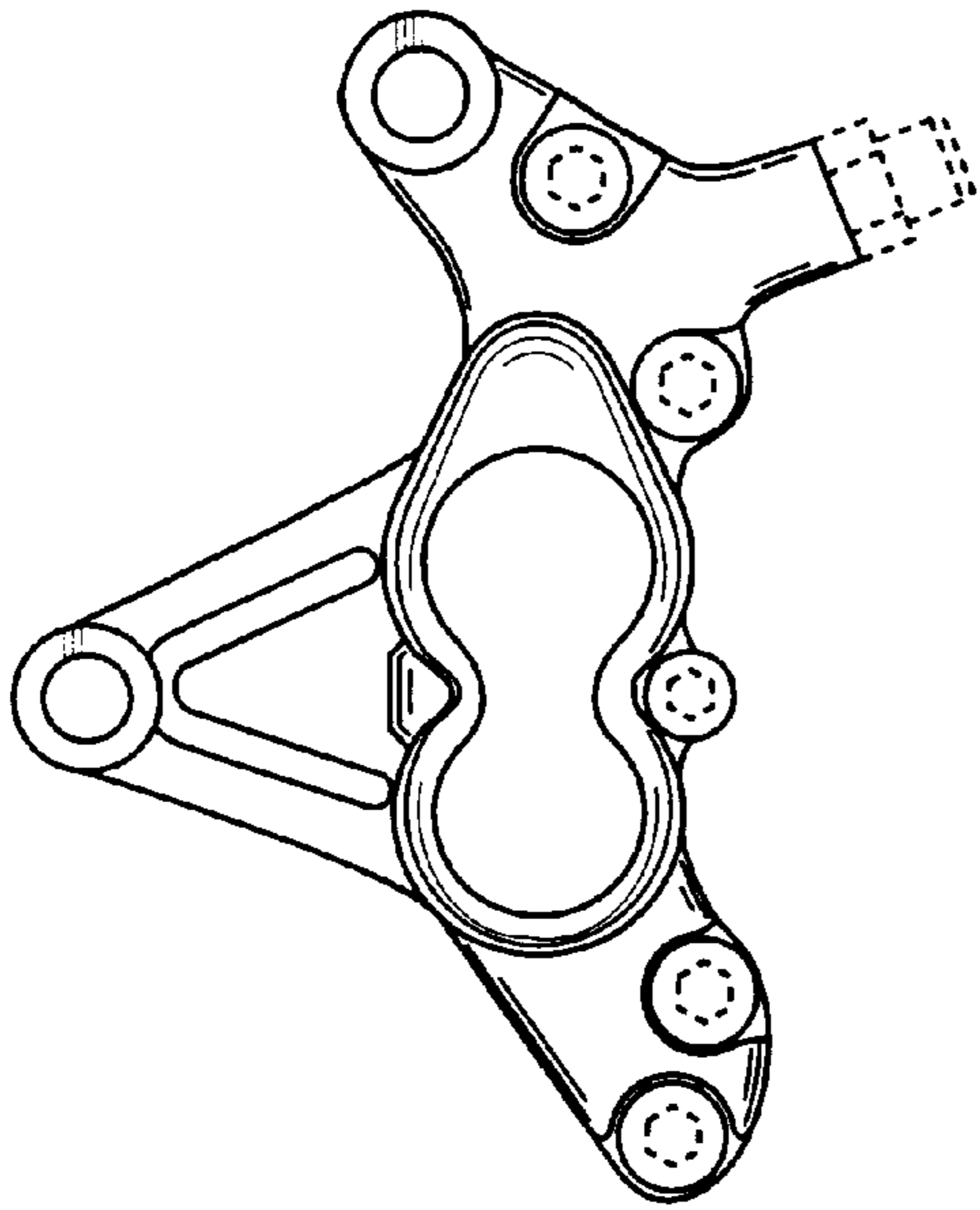


FIG. 1

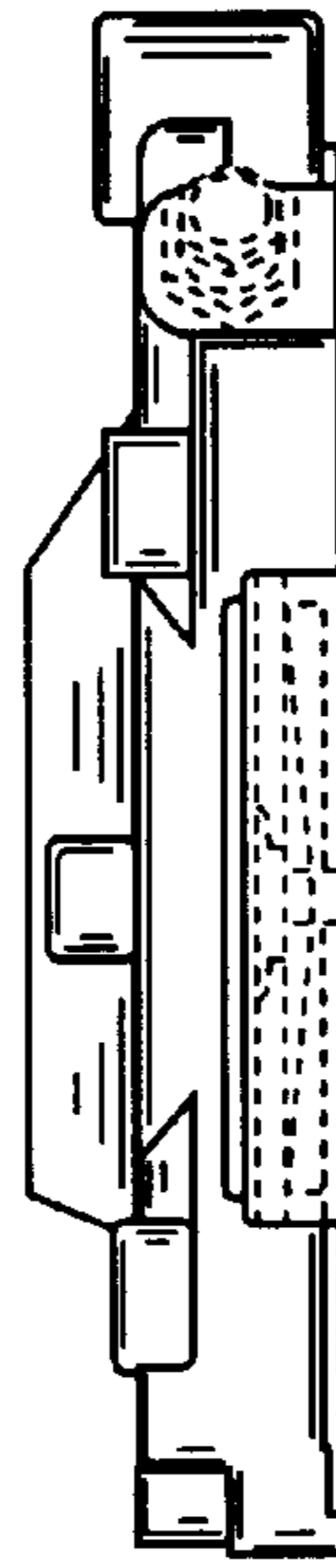


FIG. 2

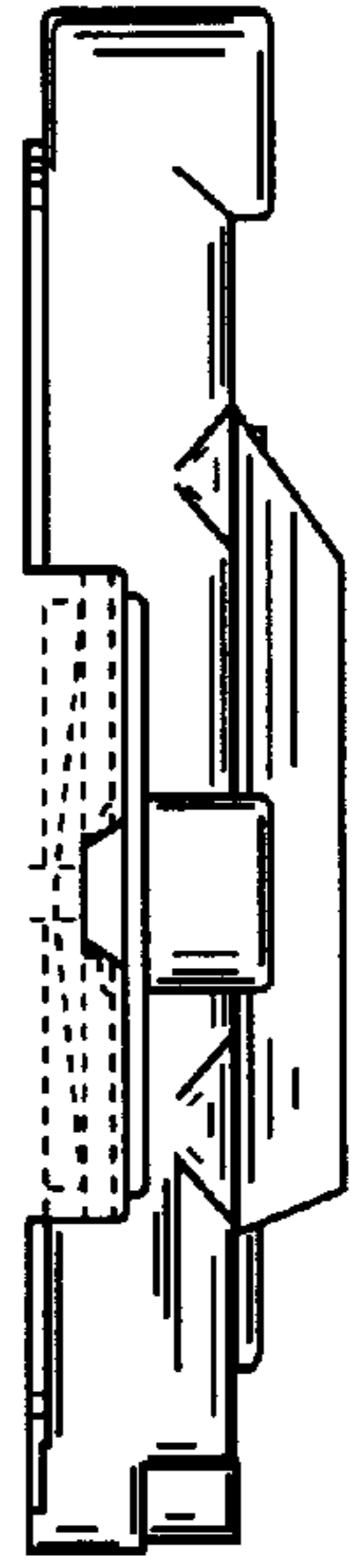


FIG. 3

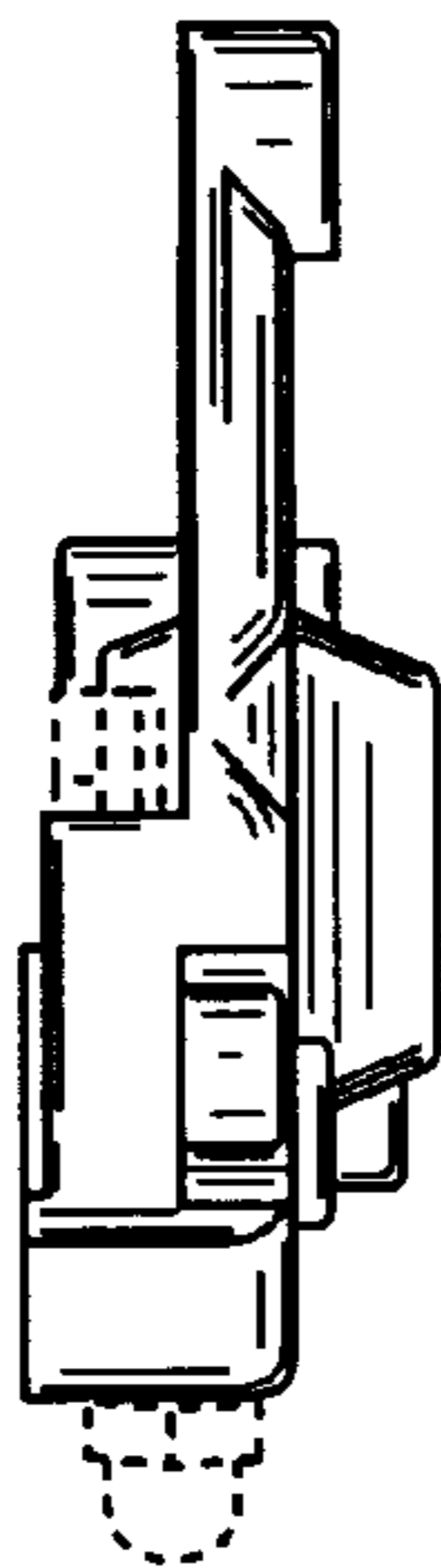


FIG. 4

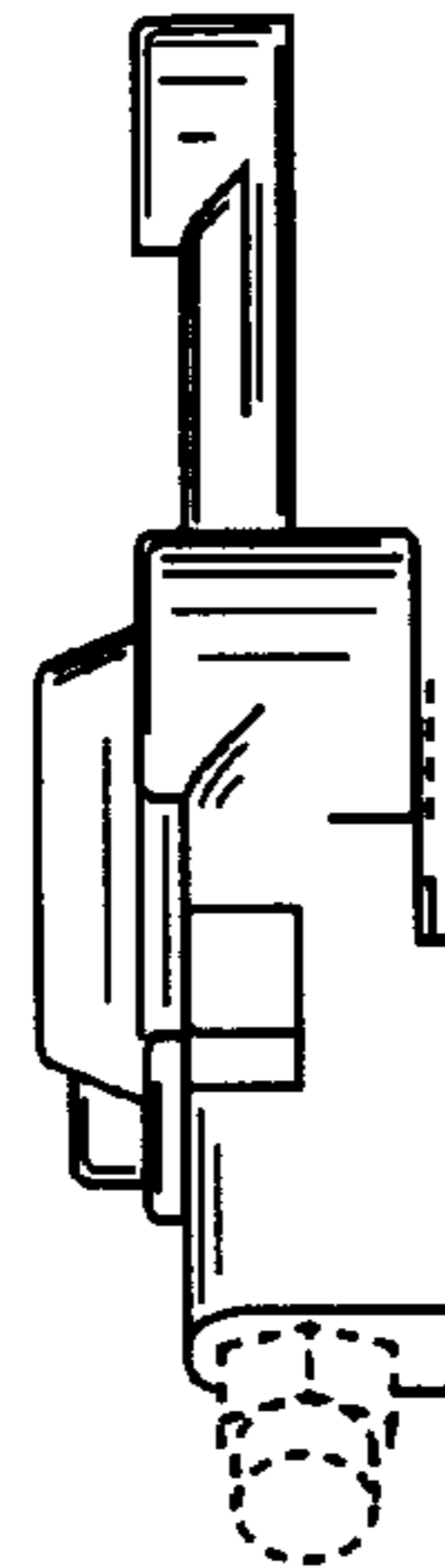


FIG. 5