



US00D439870S

(12) **United States Design Patent**
Lovell et al.

(10) **Patent No.:** **US D439,870 S**

(45) **Date of Patent:** **** Apr. 3, 2001**

(54) **TIRE TREAD**

(75) Inventors: **Timothy Patrick Lovell**, Peninsula;
Andrew Arpad Kunos, Stow; **Michael Joseph Weber**, Mogadore; **Eric John Marazzi**, Akron, all of OH (US)

(73) Assignee: **The Goodyear Tire & Rubber Company**, Akron, OH (US)

(**) Term: **14 Years**

(21) Appl. No.: **29/111,164**

(22) Filed: **Sep. 22, 1999**

(51) **LOC (7) Cl.** **12-15**

(52) **U.S. Cl.** **D12/146**

(58) **Field of Search** D12/134-152;
152/209.1, 209.8, 209.9, 209.11, 209.13,
209.16, 209.28, 900, 901

(56) **References Cited**

U.S. PATENT DOCUMENTS

D. 294,239	2/1988	Graas	D12/146
D. 346,142	* 4/1994	Consolacion et al.	D12/147
D. 367,025	2/1996	Faulk et al.	D12/141
D. 381,302	7/1997	Rohweder	D12/141
D. 390,820	* 2/1998	Guspodin et al.	D12/147
D. 400,833	11/1998	Legge et al.	D12/147
D. 403,632	* 1/1999	Guspodin et al.	D12/147

D. 410,600	* 6/1999	Matsuda	D12/146
D. 418,785	* 1/2000	Lovell et al.	D12/147
4,982,774	1/1991	Evertz	152/209 R
5,407,005	* 4/1995	Consolacion et al.	152/209.9

OTHER PUBLICATIONS

Pending Patent Application filed Dec. 16, 1998, Ser. No. 29/097880, our reference DN1998202.

* cited by examiner

Primary Examiner—Robert M. Spear

(74) *Attorney, Agent, or Firm*—T P Lewandowski

(57) **CLAIM**

The ornamental design for a tire tread, as shown and described.

DESCRIPTION

FIG. 1 is a perspective view of a tire tread showing our new design, it being understood that the pattern repeats uniformly throughout the circumference of the tread;

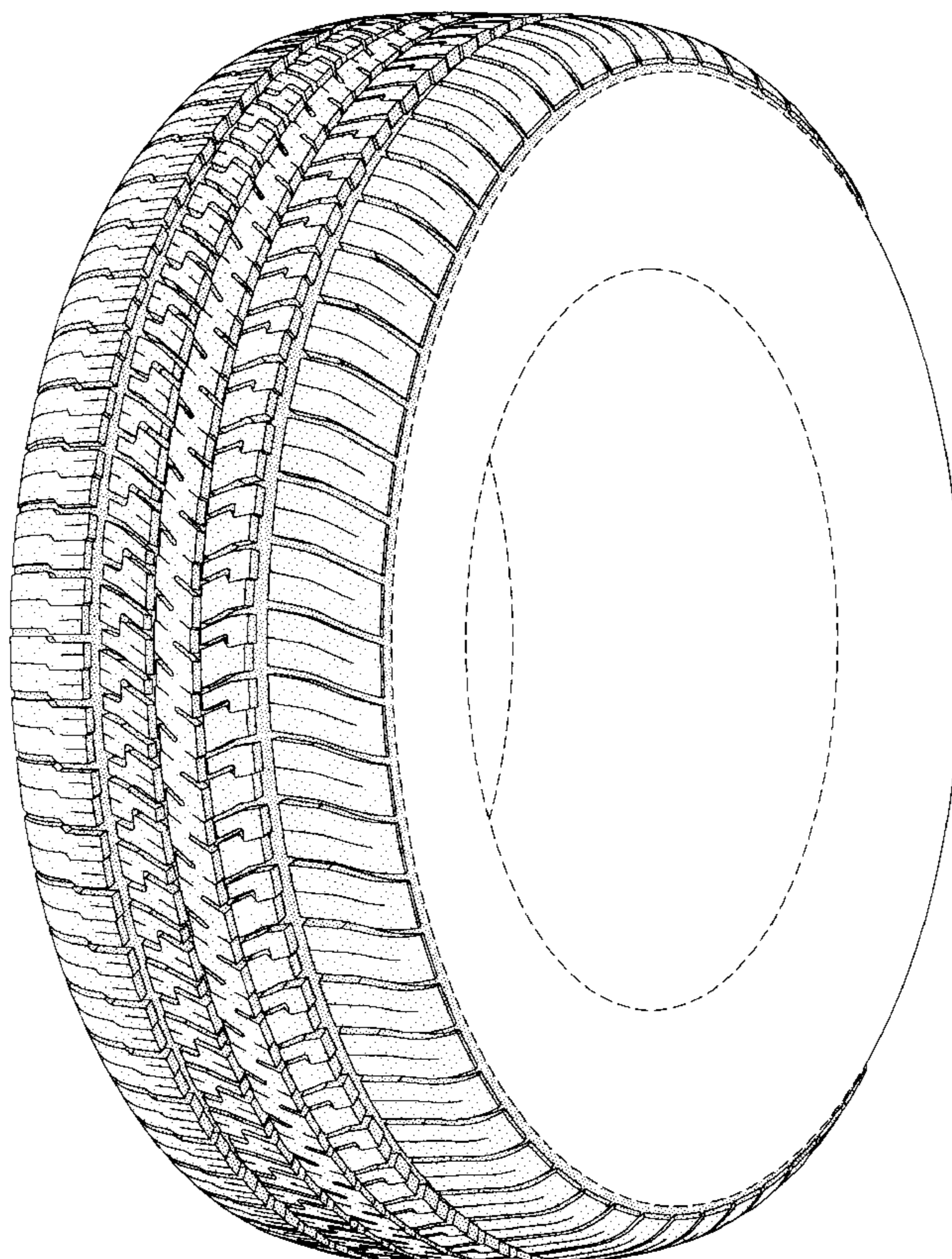
FIG. 2 is a front elevational view thereof;

FIG. 3 is a side elevational view thereof; and,

FIG. 4 is an enlarged fragmentary perspective view.

In the drawings, the broken lines defining the inner bead of the sidewall and the peripheral boundary between the tire tread and the sidewall are for illustrative purposes only and form no part of the claimed design.

1 Claim, 4 Drawing Sheets



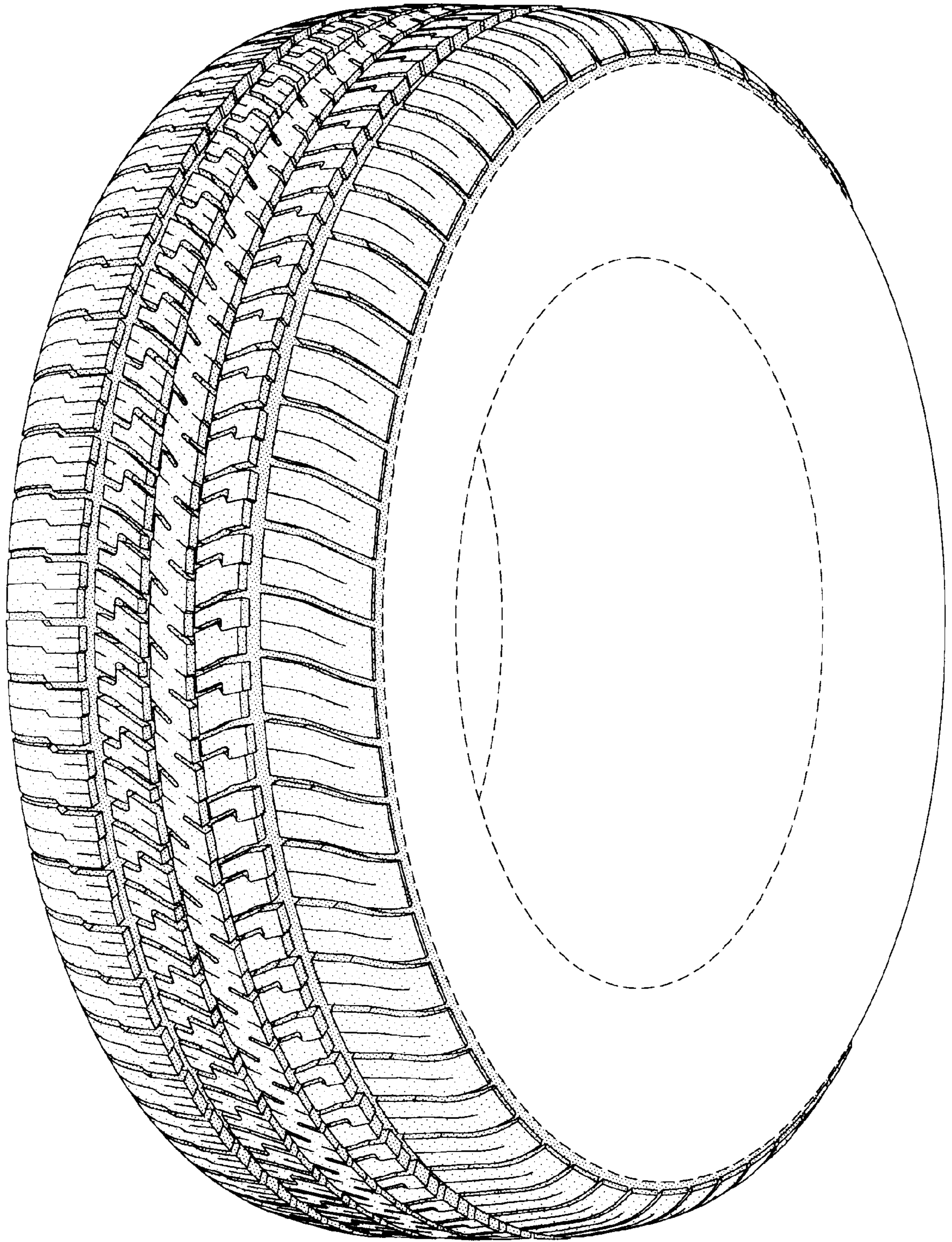


FIG-1

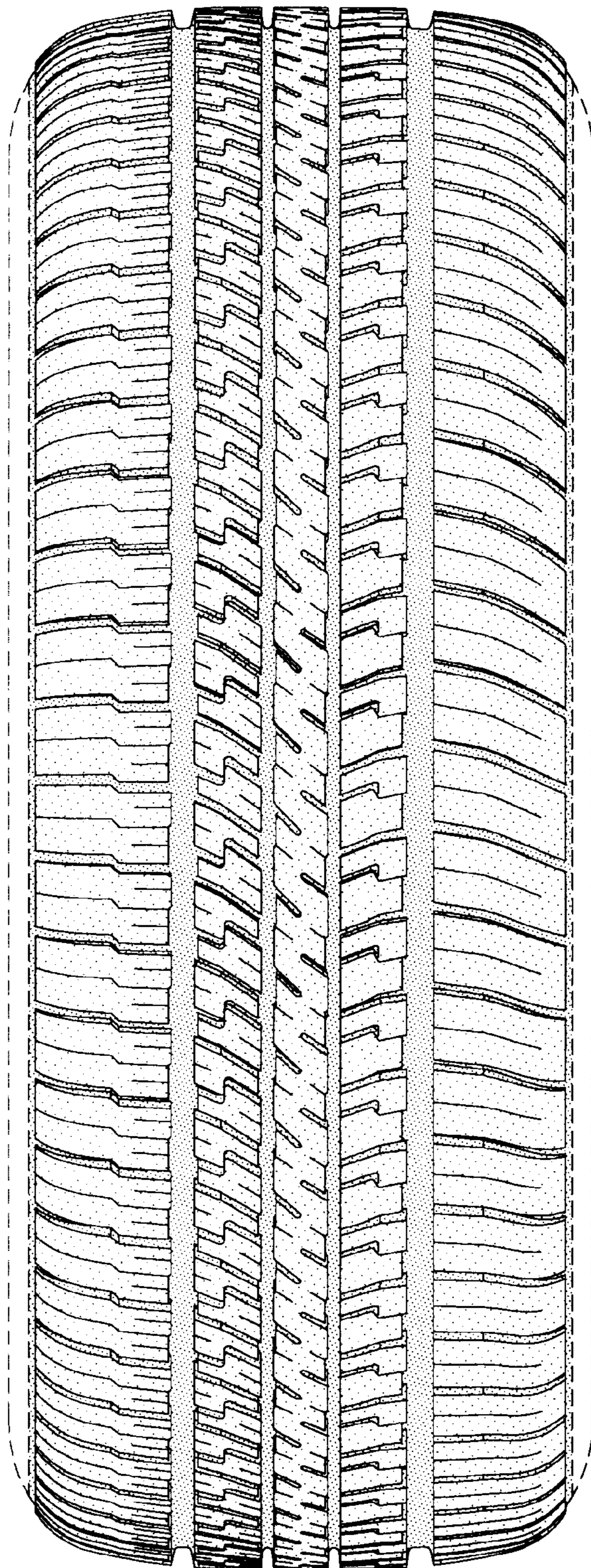


FIG-2

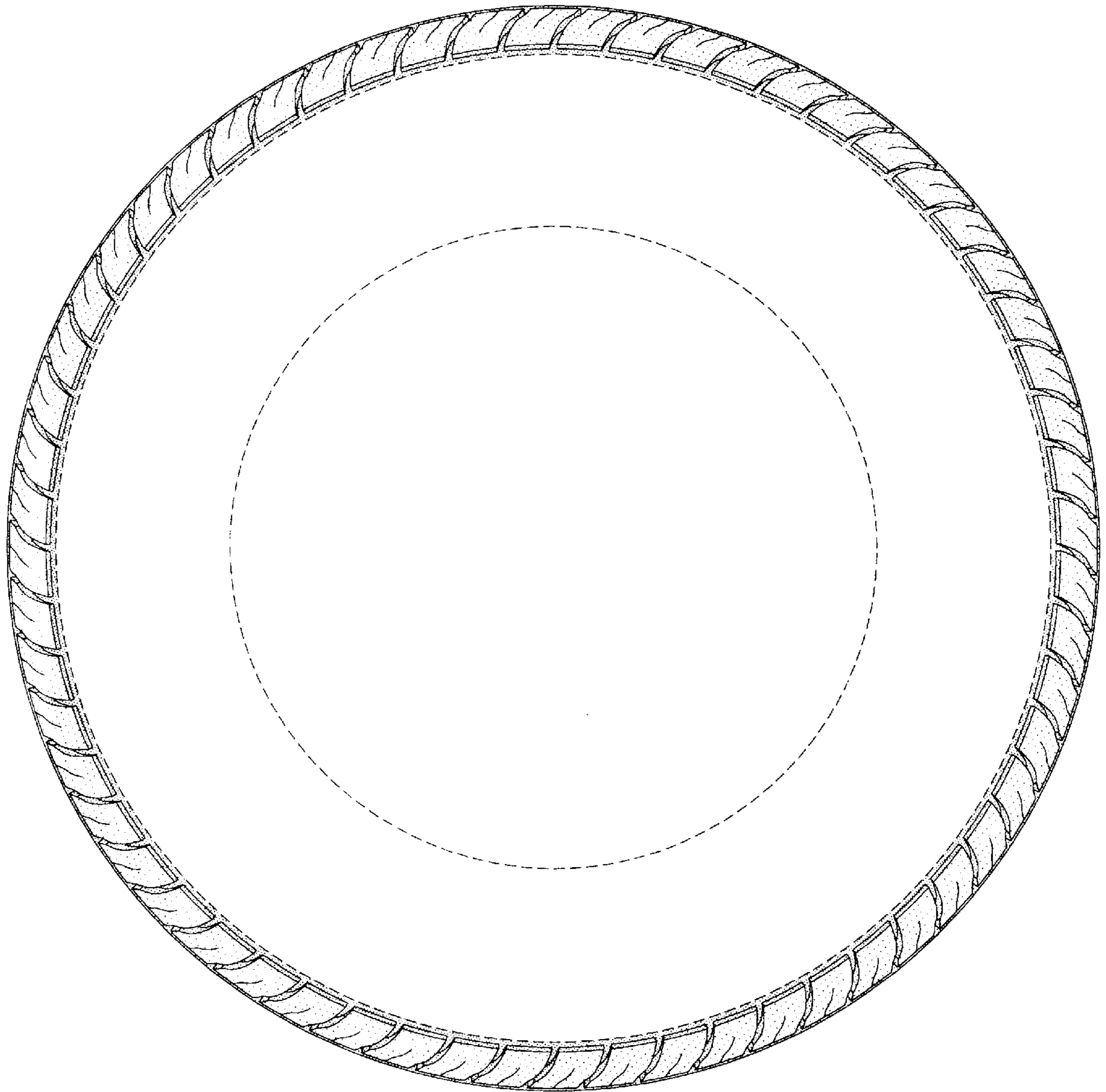


FIG-3

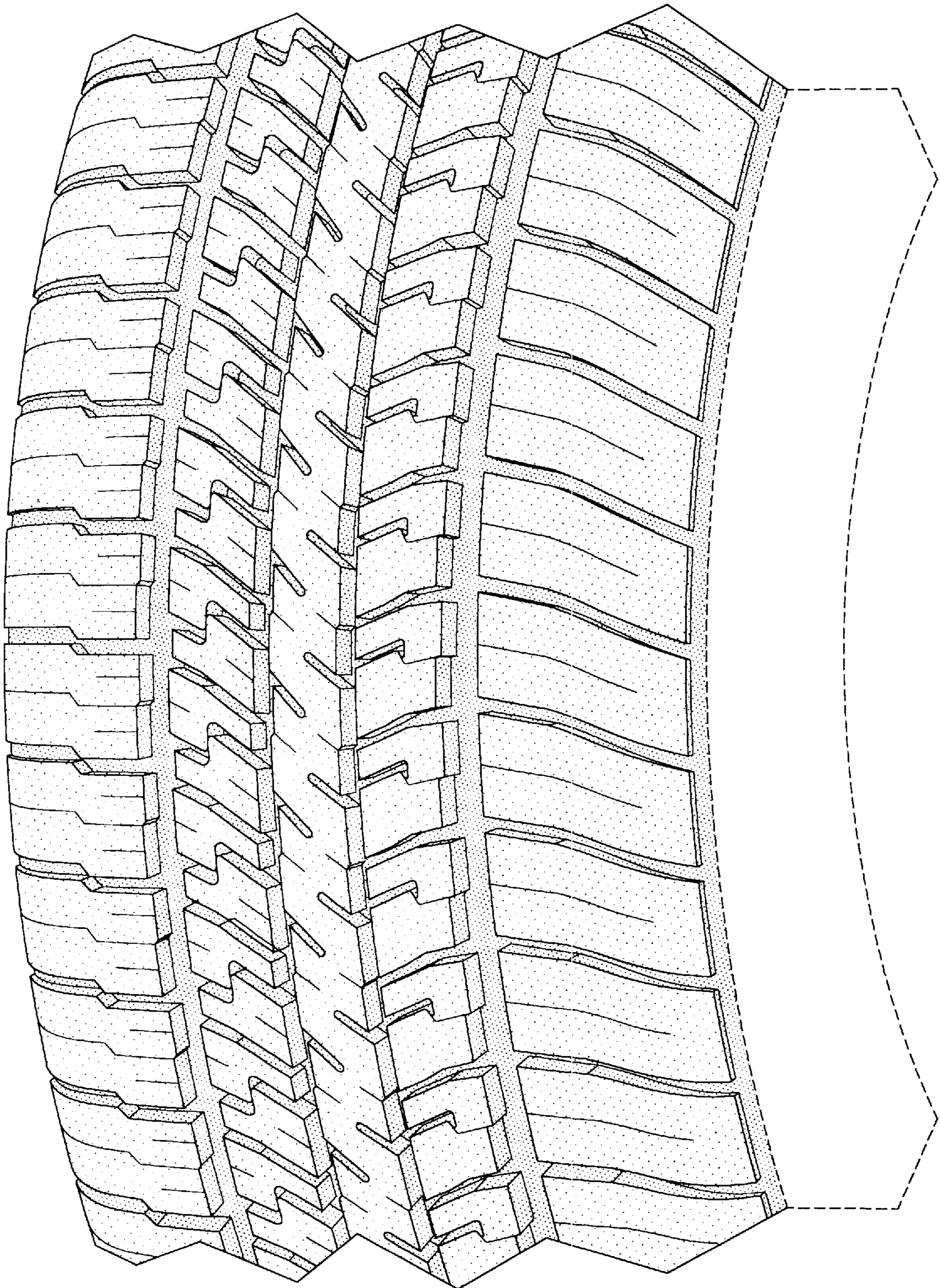


FIG-4